

US00D570448S

(12) **United States Design Patent**
Wang

(10) **Patent No.:** **US D570,448 S**

(45) **Date of Patent:** **** Jun. 3, 2008**

(54) **PAINT SPRAY GUN**

D551,321 S * 9/2007 Huang D23/226

(76) Inventor: **Hsing-Tzu Wang**, No. 80, Ta-Hsin St.,
Hsi Dist., Taichung City (TW)

* cited by examiner

Primary Examiner—Robin V Webster
(74) *Attorney, Agent, or Firm*—Hoffmann & Baron, LLP

(**) Term: **14 Years**

(21) Appl. No.: **29/293,297**

(57) **CLAIM**

(22) Filed: **Nov. 15, 2007**

The ornamental design for paint spray gun, as shown and described.

(51) **LOC (8) Cl.** **23-01**

(52) **U.S. Cl.** **D23/226**

(58) **Field of Classification Search** D23/213,
D23/223, 226; 239/690–691, 525–526, 600,
239/296; 361/227–228

See application file for complete search history.

DESCRIPTION

FIG. 1 is a perspective view of paint spray gun showing my new design;

FIG. 2 is a front elevational view thereof;

FIG. 3 is a rear elevational view thereof;

FIG. 4 is a left side elevational view thereof;

FIG. 5 is a right side elevational view thereof;

FIG. 6 is a top plan view thereof; and,

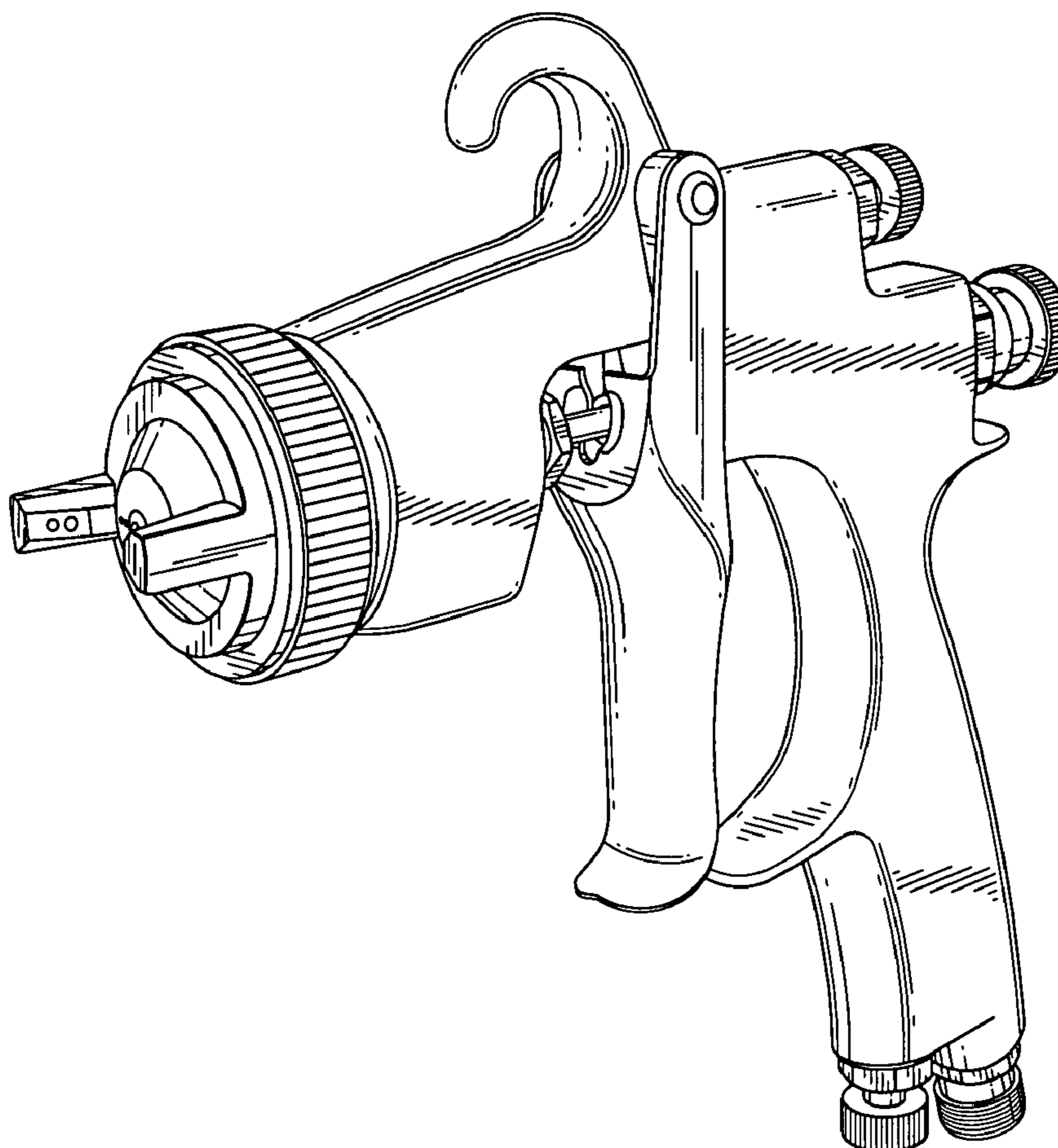
FIG. 7 is a bottom plan view thereof.

(56) **References Cited**

U.S. PATENT DOCUMENTS

3,517,262	A	*	6/1970	Herschel et al.	361/228
D305,453	S	*	1/1990	Morgan	D23/226
D409,719	S	*	5/1999	Kaneko	D23/226
D523,111	S	*	6/2006	Huang	D23/226
D538,886	S	*	3/2007	Huang	D23/226

1 Claim, 6 Drawing Sheets



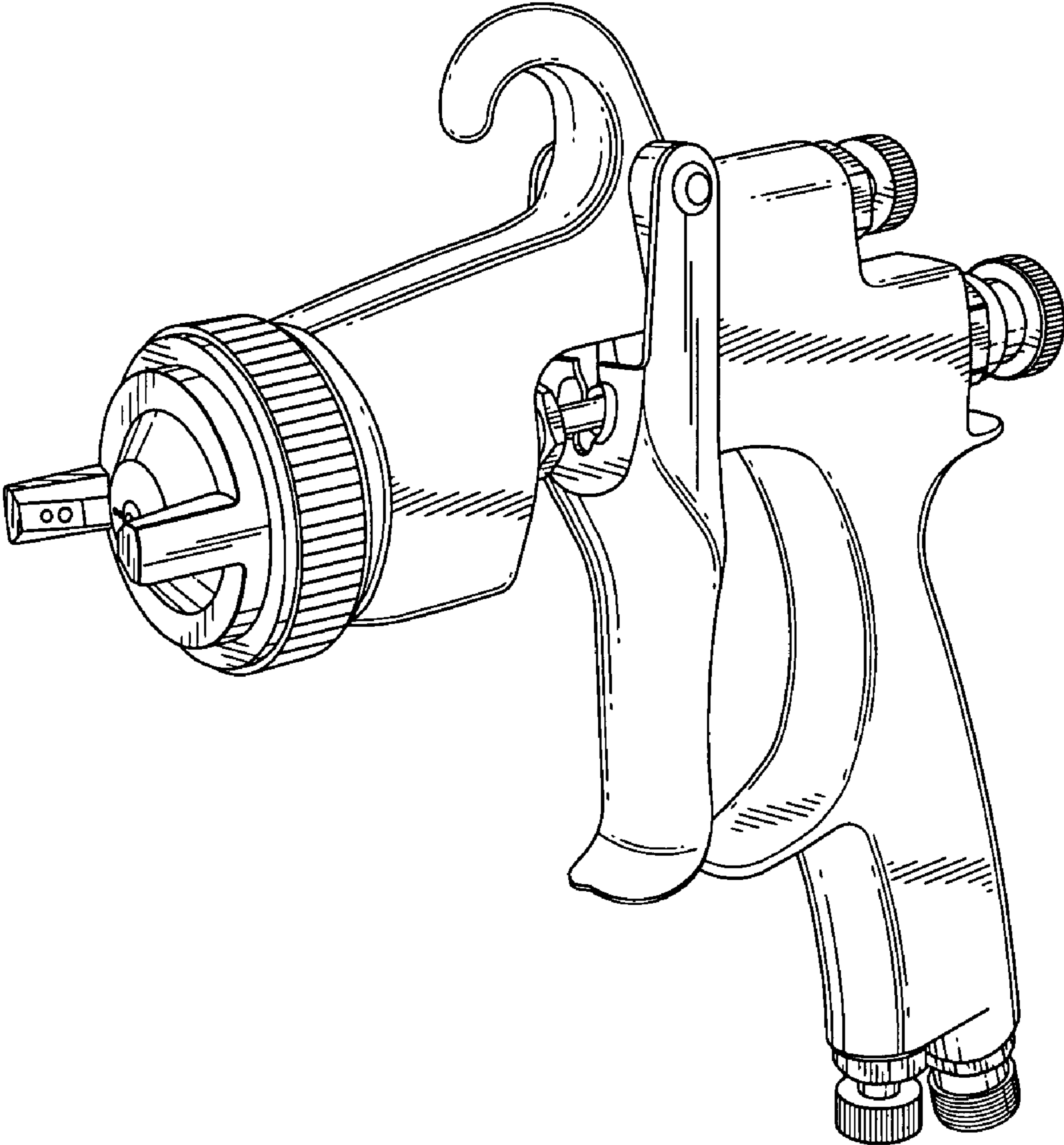


FIG. 1

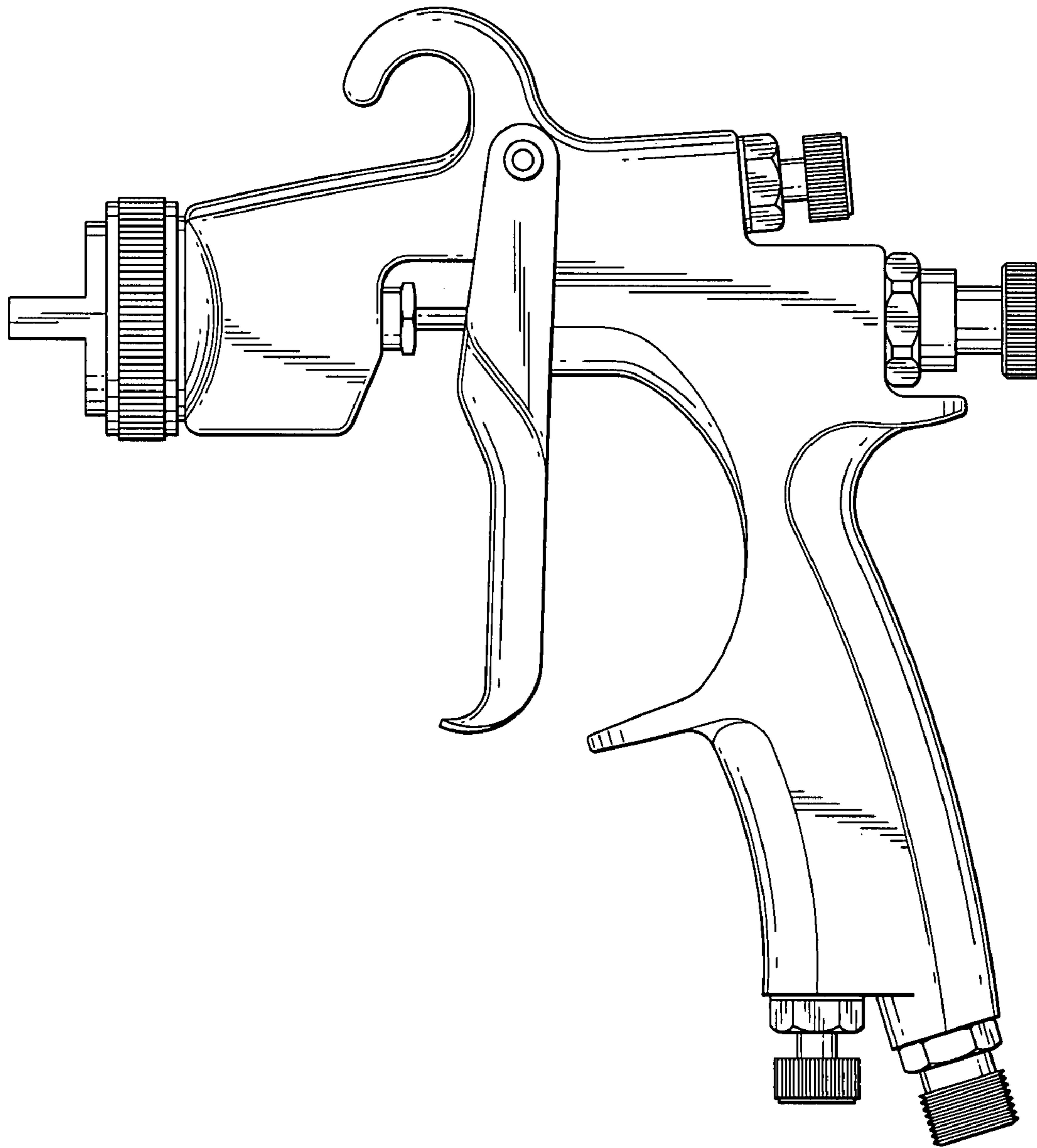


FIG. 2

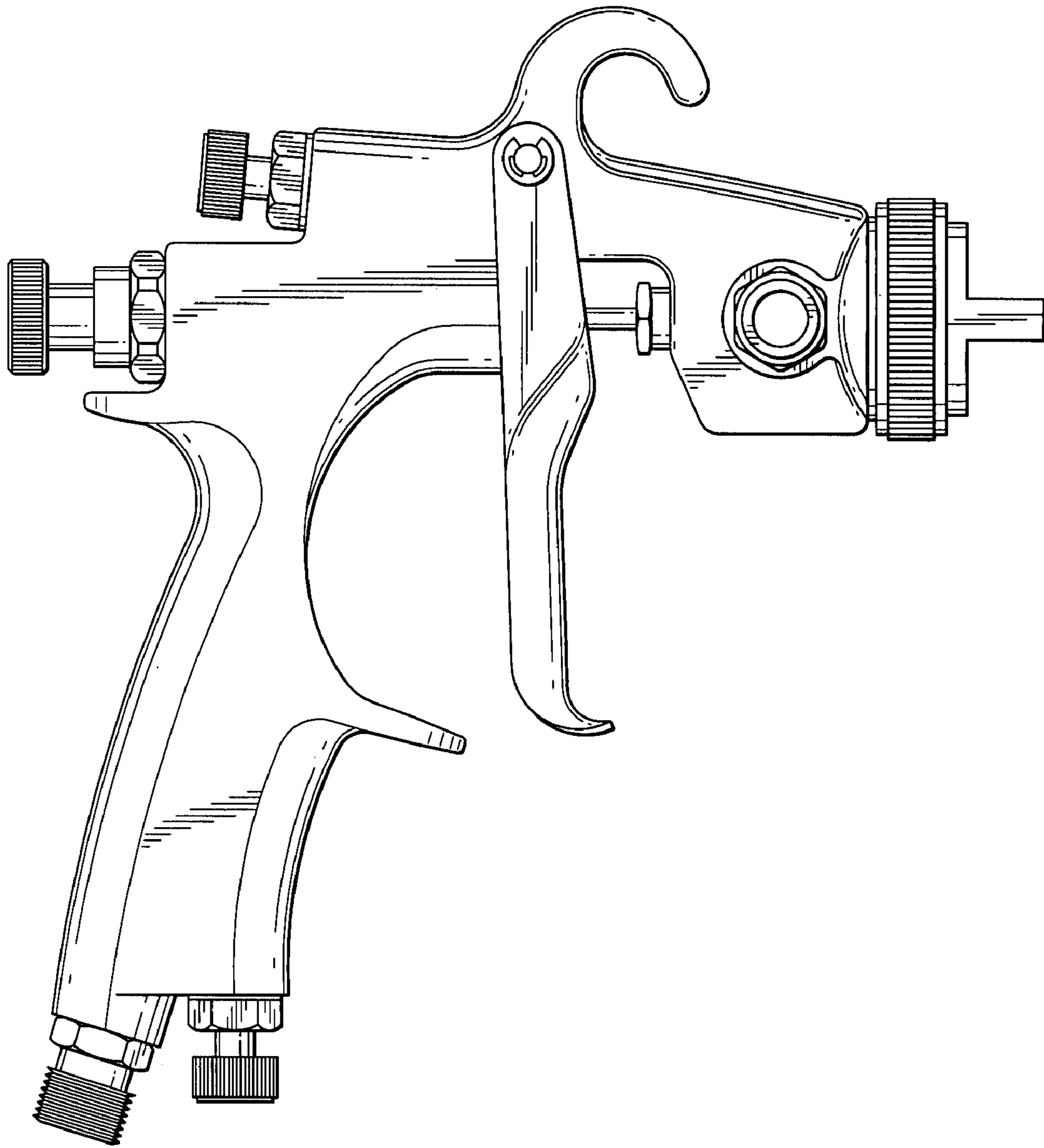


FIG. 3

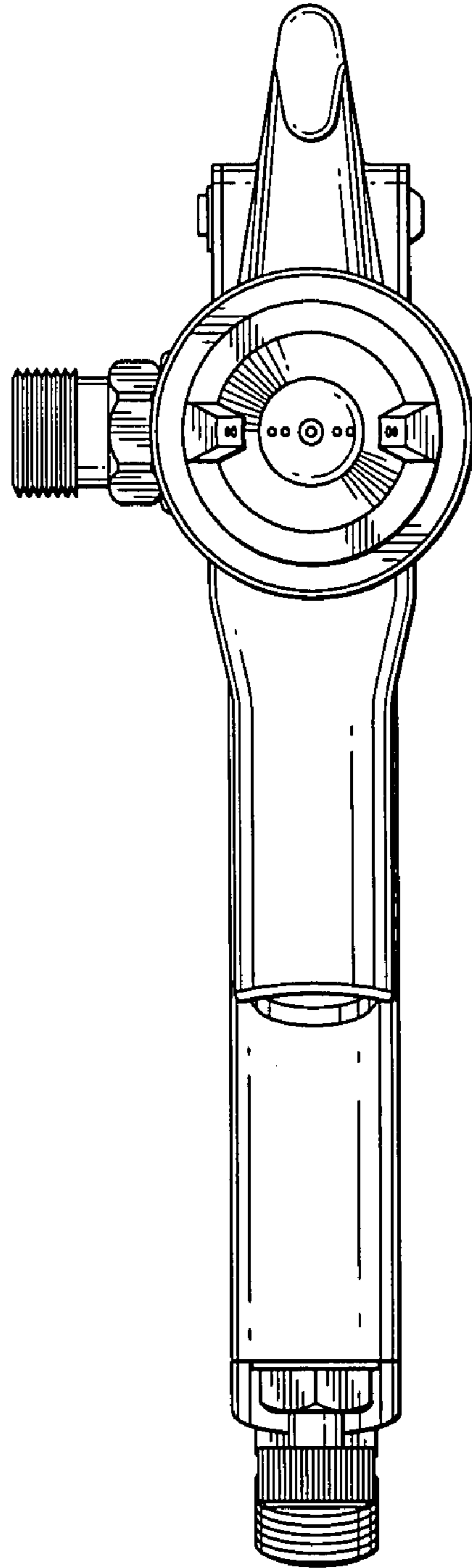


FIG. 4

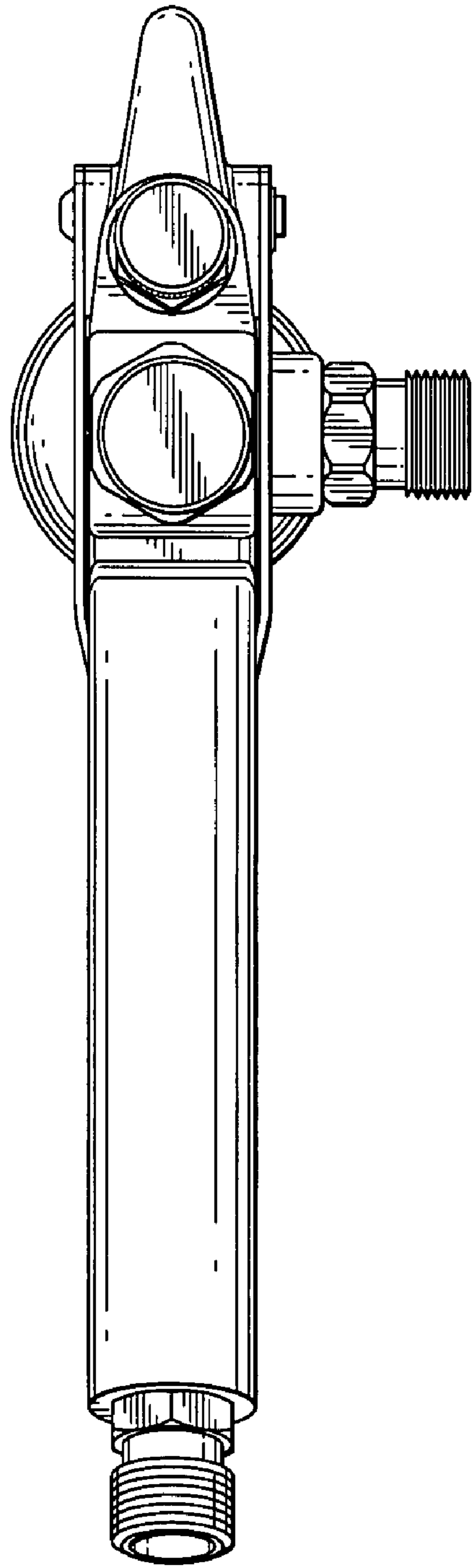


FIG. 5

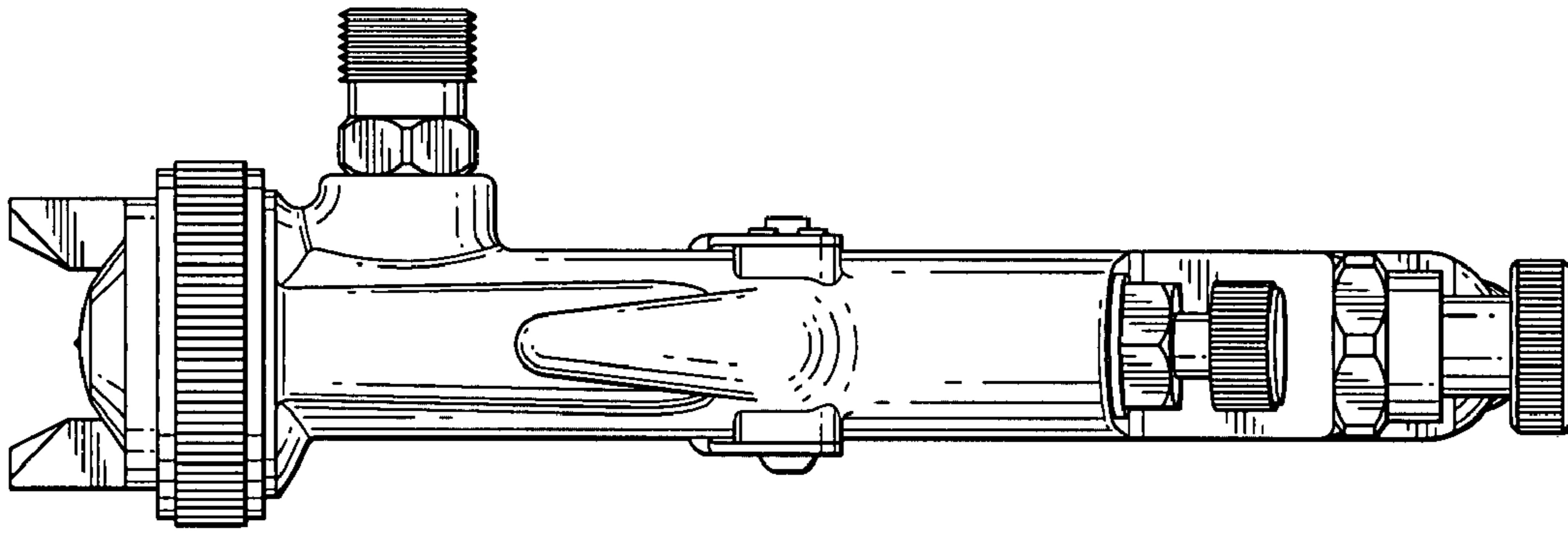


FIG. 6

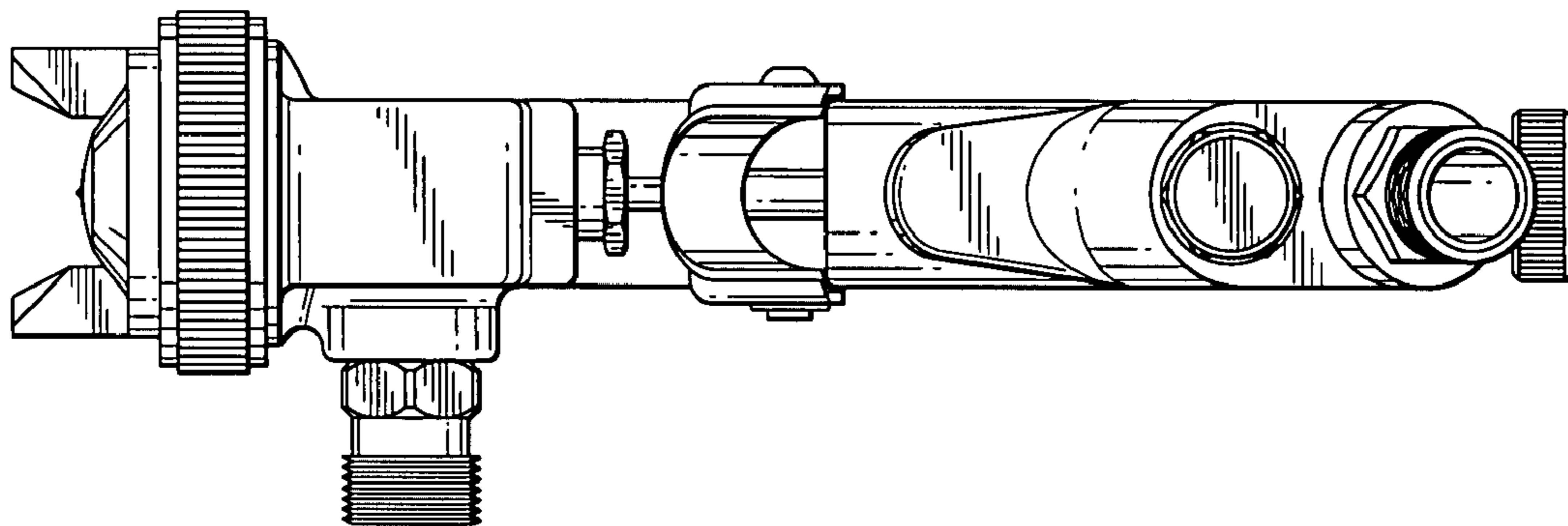


FIG. 7