

US00D570446S

(12) **United States Design Patent**  
**Zhou**

(10) **Patent No.:** **US D570,446 S**

(45) **Date of Patent:** **\*\* Jun. 3, 2008**

(54) **SHOWER NOZZLE**

(76) Inventor: **Huasong Zhou**, Rm 704, #135, Hubin  
S. Road, Xiamen, Fujian (CN)

(\*\*) Term: **14 Years**

(21) Appl. No.: **29/281,867**

(22) Filed: **Jul. 5, 2007**

(51) **LOC (8) Cl.** ..... **23-01**

(52) **U.S. Cl.** ..... **D23/223**

(58) **Field of Classification Search** ..... D23/213,  
D23/223, 226, 229-30; 4/615; 239/525-526,  
239/282-283, 394

See application file for complete search history.

(56) **References Cited**

**U.S. PATENT DOCUMENTS**

- D529,988 S \* 10/2006 Tse ..... D23/223
- D530,391 S \* 10/2006 Tse ..... D23/223
- D538,390 S \* 3/2007 Sallick et al. .... D23/213

D547,421 S \* 7/2007 Lobermeier ..... D23/223

\* cited by examiner

*Primary Examiner*—Robin V Webster

(74) *Attorney, Agent, or Firm*—Banger Shia

(57) **CLAIM**

The ornamental design for the shower nozzle, as shown and described.

**DESCRIPTION**

FIG. 1 is a perspective view of the shower nozzle showing my present design,

FIG. 2 is a front view thereof;

FIG. 3 is a rear view thereof;

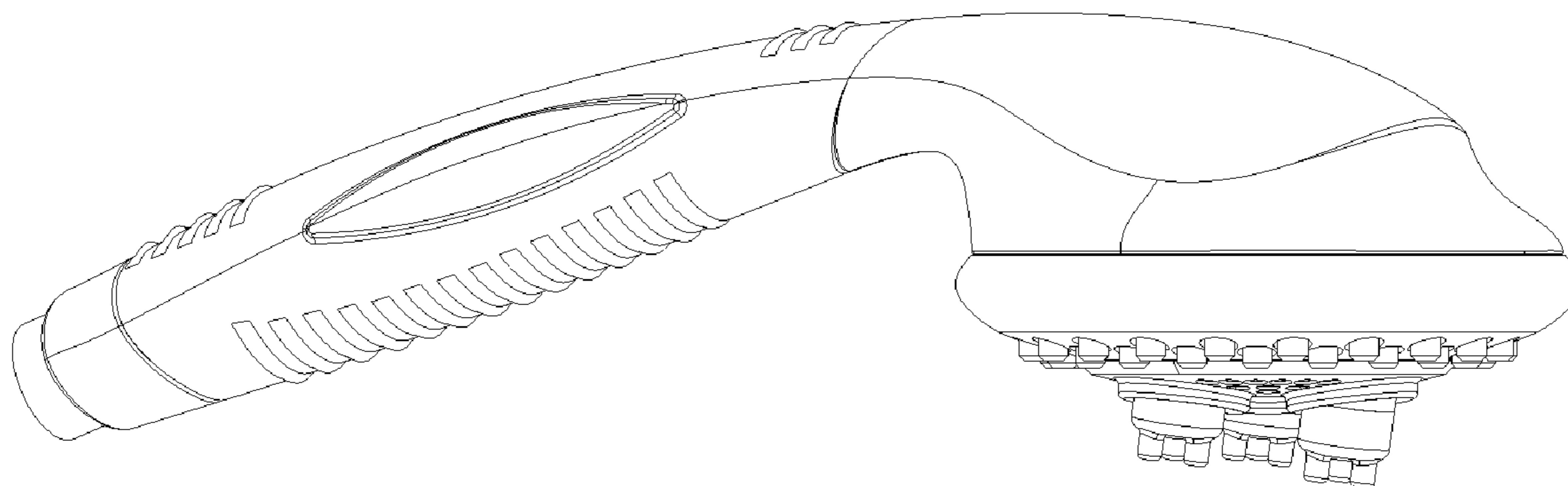
FIG. 4 is a left plan view thereof;

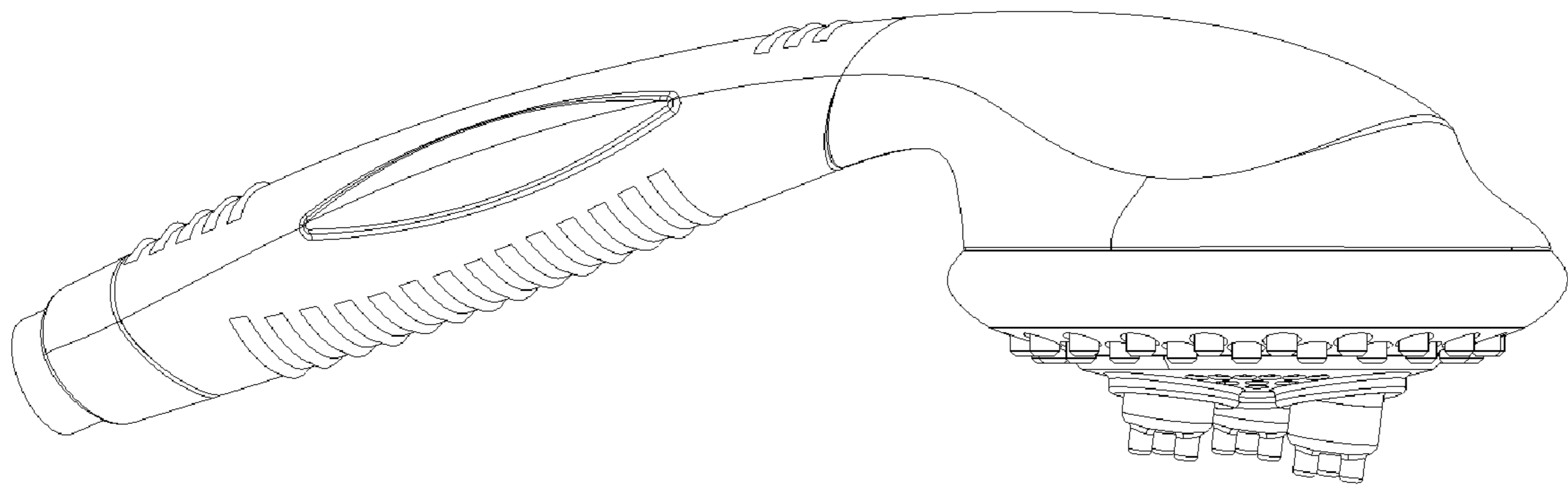
FIG. 5 is a right plan view thereof;

FIG. 6 is a top view thereof; and,

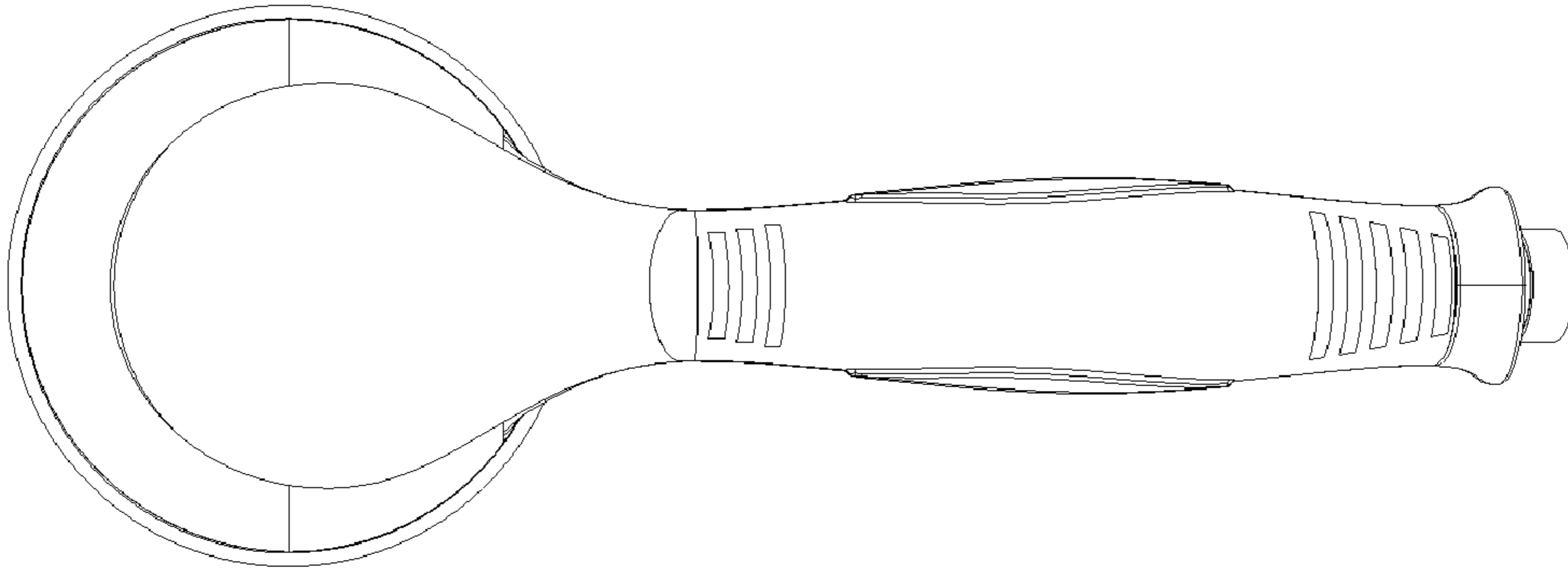
FIG. 7 is a bottom view.

**1 Claim, 4 Drawing Sheets**

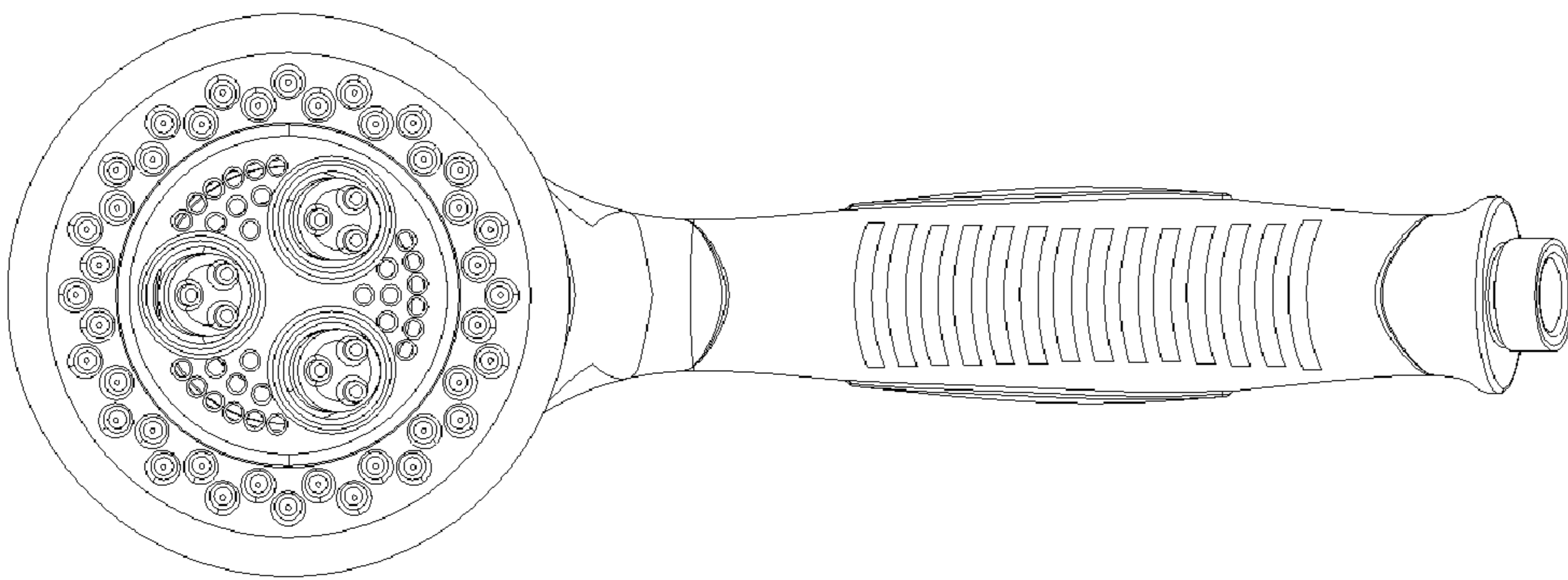




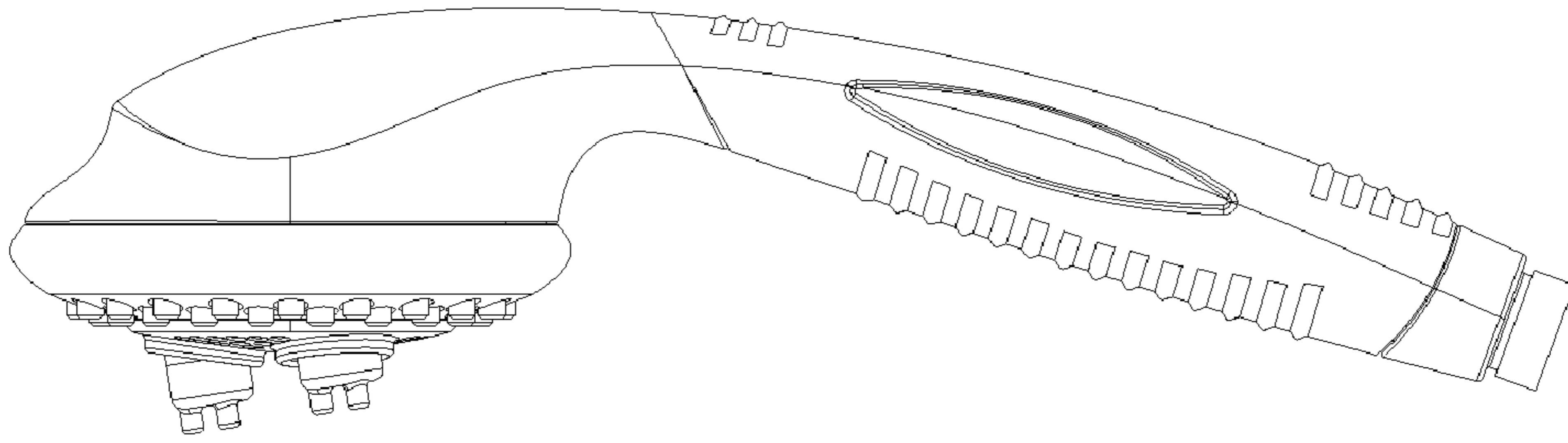
**FIG. 1**



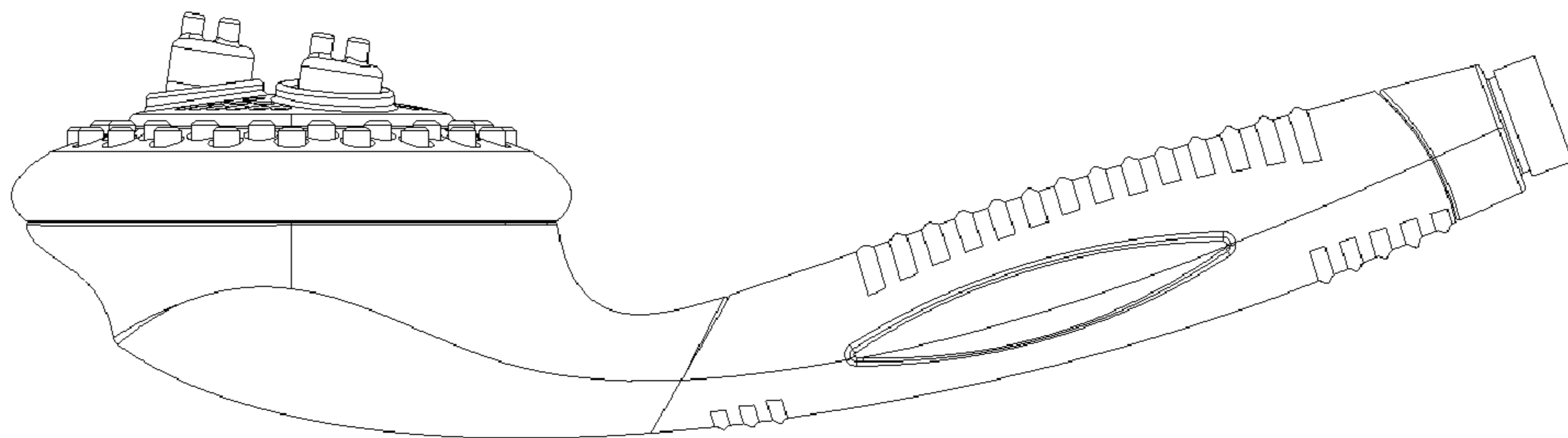
**FIG. 3**



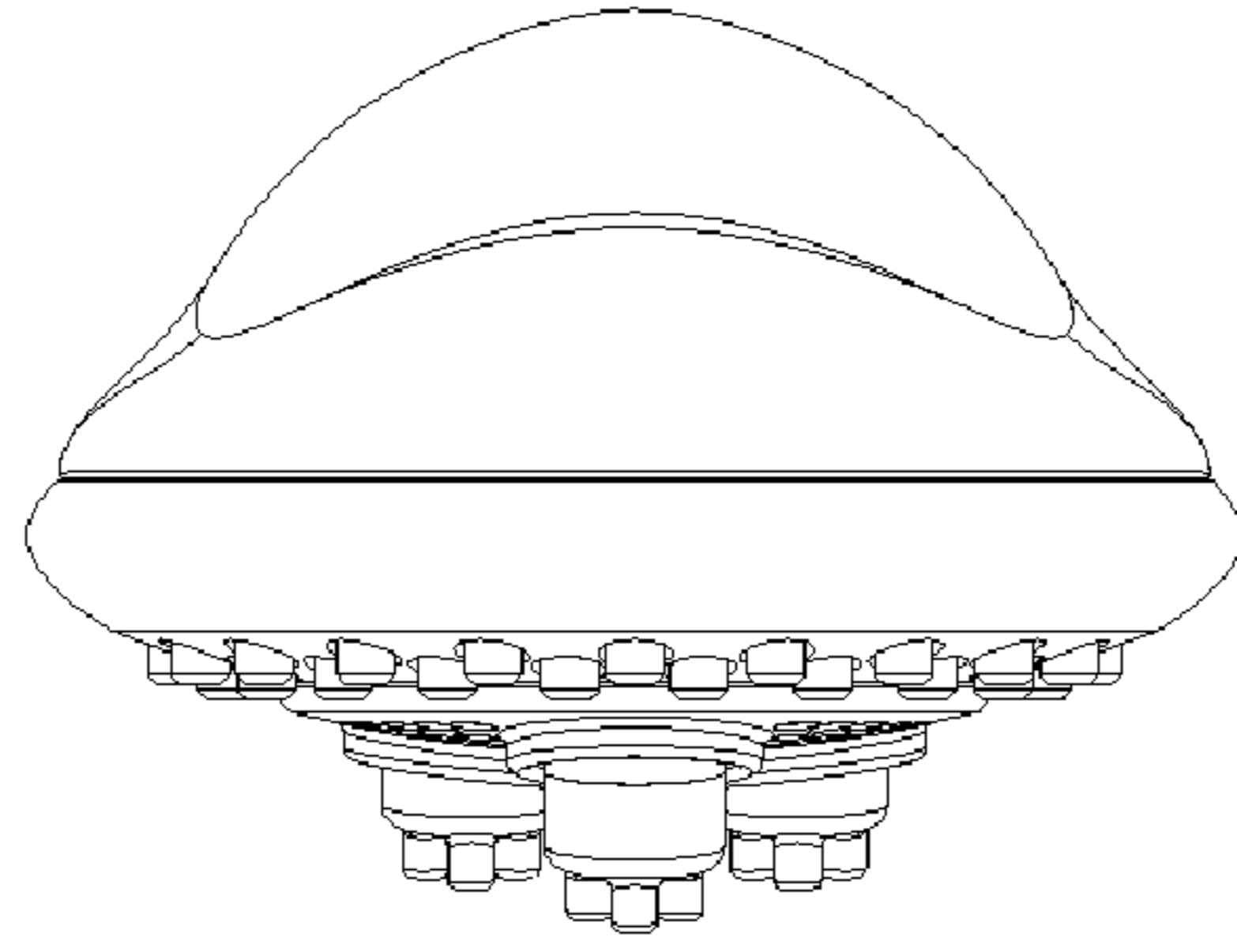
**FIG. 2**



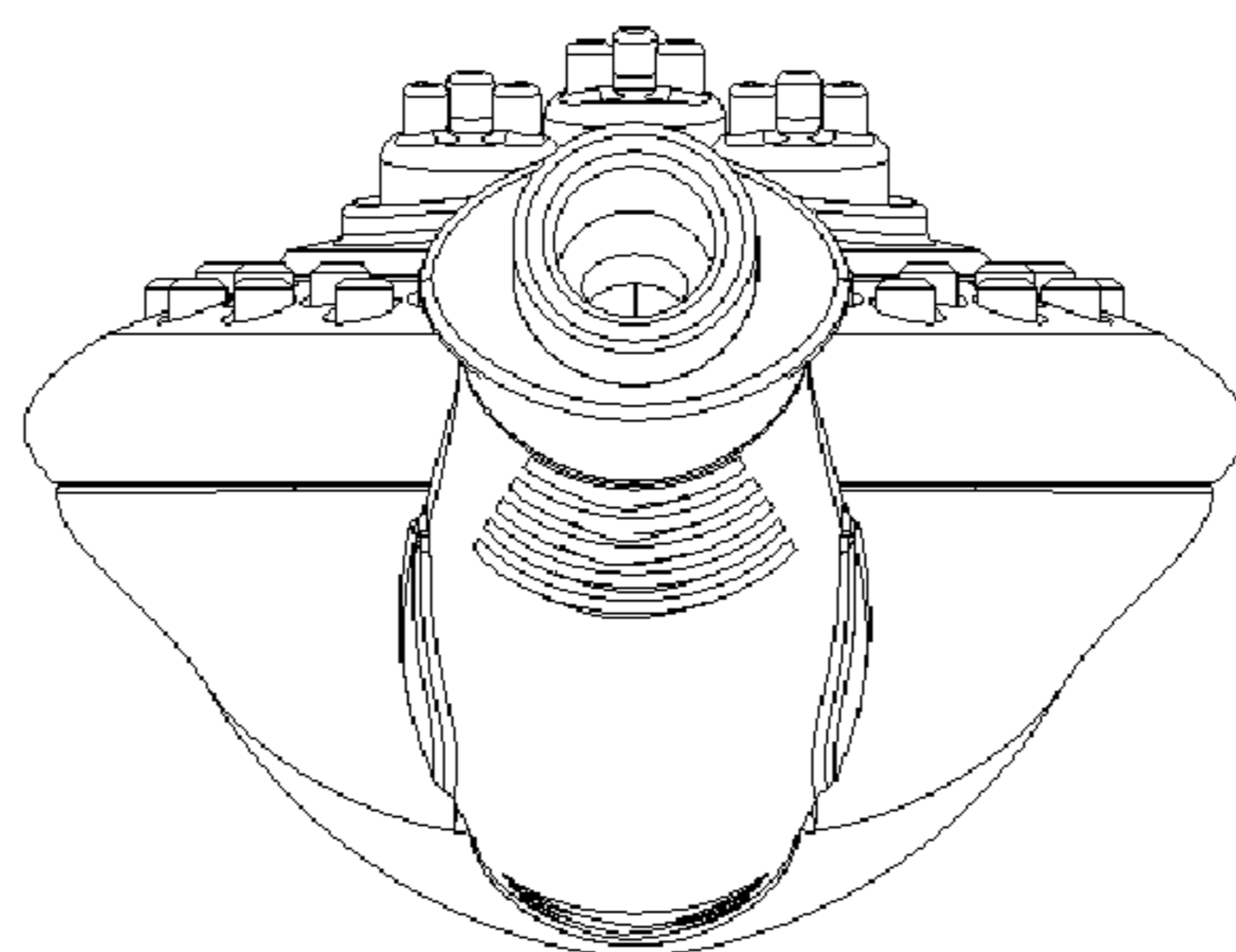
**FIG. 5**



**FIG. 4**



**FIG. 6**



**FIG. 7**