

US00D570439S

(12) **United States Design Patent**
Adams

(10) **Patent No.:** **US D570,439 S**
(45) **Date of Patent:** **** Jun. 3, 2008**

(54) **ARCH CAP FOR ENCLOSURE FOR RECREATIONAL STRUCTURE**

2005/0079954 A1* 4/2005 Wang et al. 482/27
* cited by examiner

(75) Inventor: **Craig Adams**, Portland, OR (US)

Primary Examiner—Mitchell I Siegel
(74) *Attorney, Agent, or Firm*—Joseph P. Curtin, L.L.C.

(73) Assignee: **CA06, LLC**, Portland, OR (US)

(**) Term: **14 Years**

(57) **CLAIM**

(21) Appl. No.: **29/250,103**

I claim the ornamental design for an arch cap for enclosure for a recreational structure, as shown and described.

(22) Filed: **Nov. 2, 2006**

DESCRIPTION

(51) **LOC (8) Cl.** **21-03**

FIG. 1 is a perspective side view showing four arch caps for an enclosure for a recreational structure according to the subject matter disclosed herein;

(52) **U.S. Cl.** **D21/814**

(58) **Field of Classification Search** D21/826,
D21/835, 811, 814; 482/27-29, 35, 36; 472/134,
472/135; 473/473

FIG. 2 is an overhead perspective view of one arch cap for an enclosure for a recreational structure according to the subject matter disclosed herein; and,

See application file for complete search history.

FIG. 3 is a top view of the four arch caps of FIG. 1 for an enclosure for a recreational structure according to the subject matter disclosed herein.

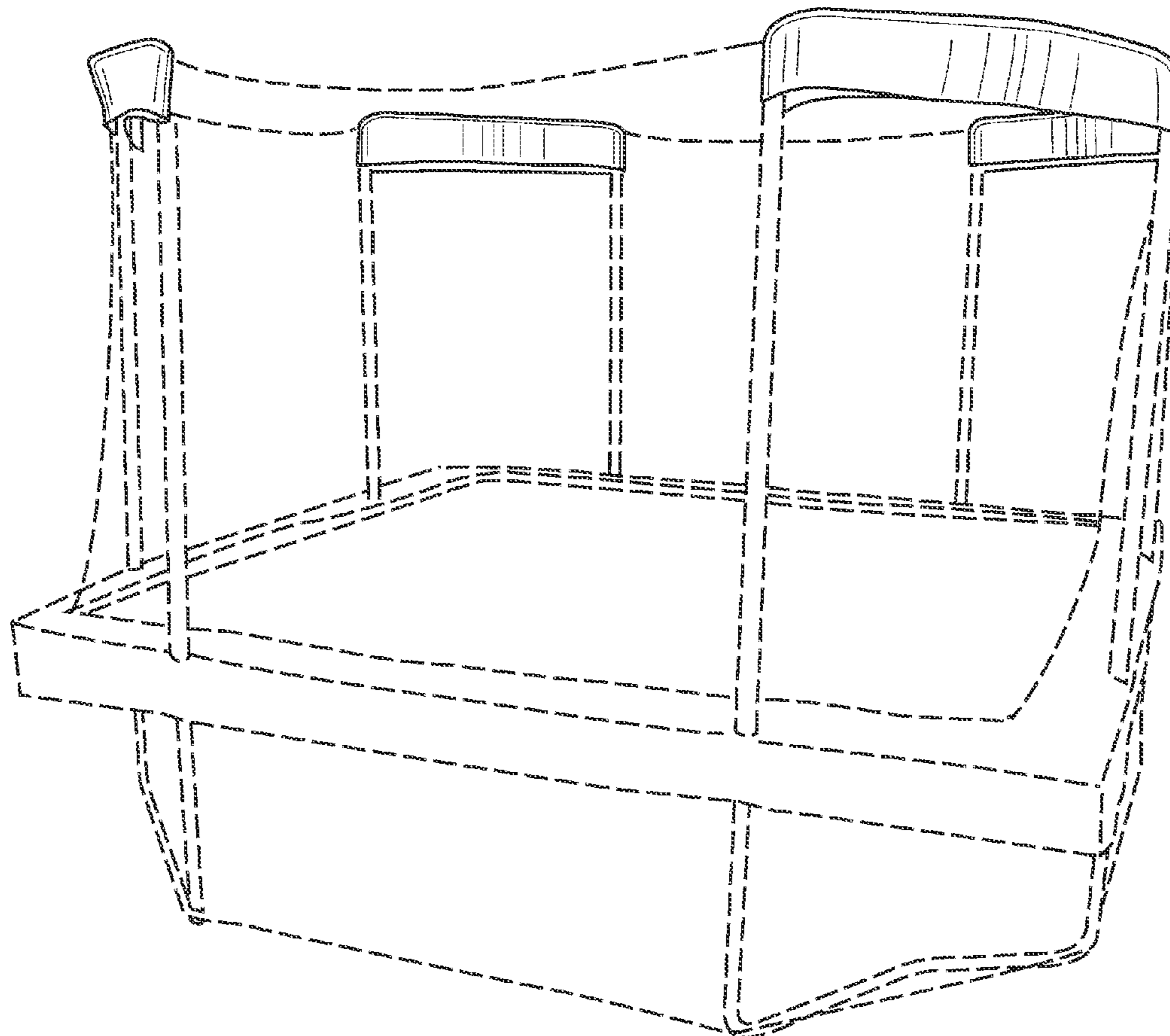
(56) **References Cited**

U.S. PATENT DOCUMENTS

5,941,798	A *	8/1999	Coan et al.	482/27
6,053,845	A *	4/2000	Publicover et al.	482/35
D433,725	S *	11/2000	Chen	D21/797
6,261,207	B1 *	7/2001	Publicover et al.	482/27

The broken line showing is included for the purpose of illustrating and forms no part of the claimed design.

1 Claim, 2 Drawing Sheets



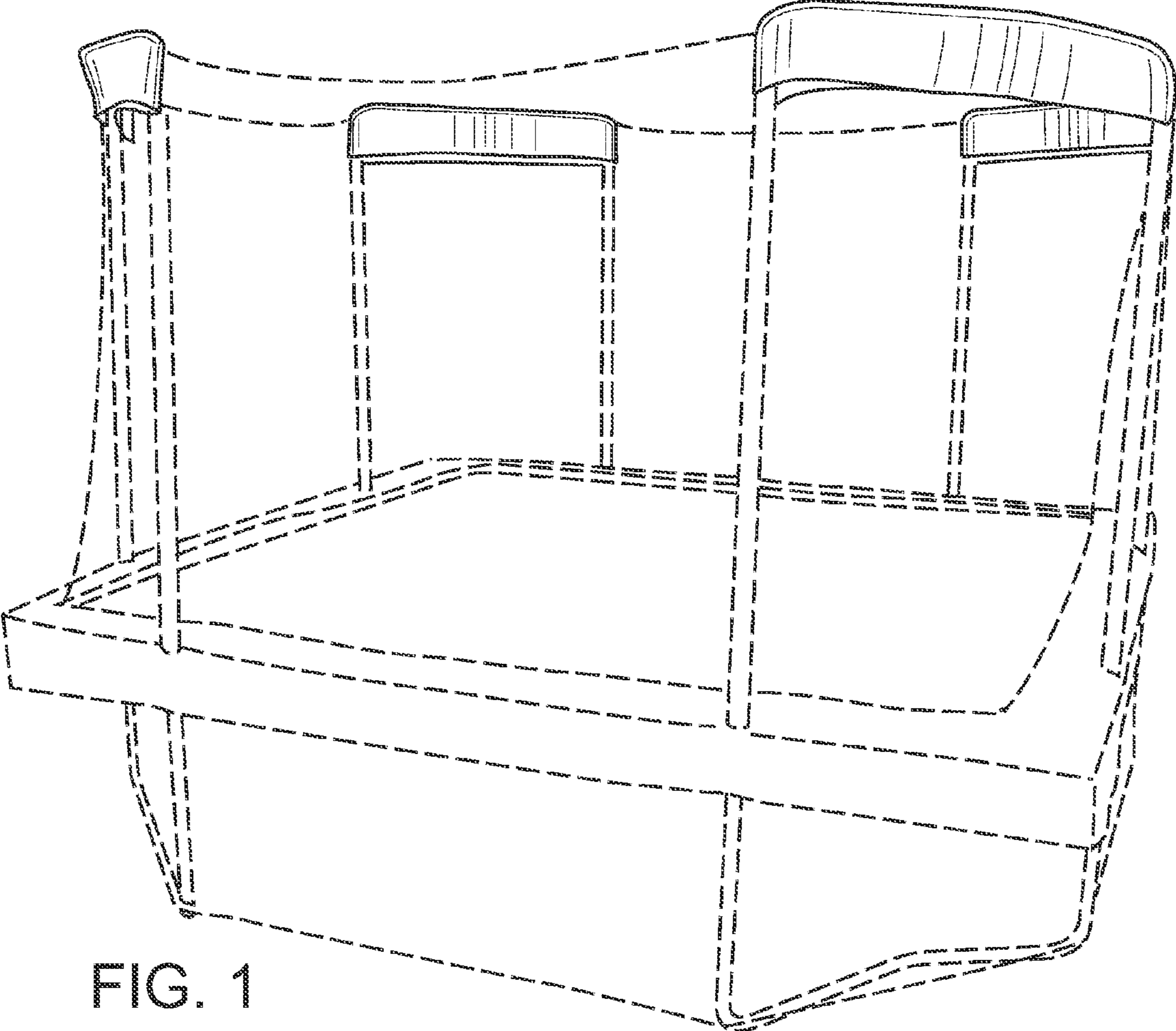


FIG. 1

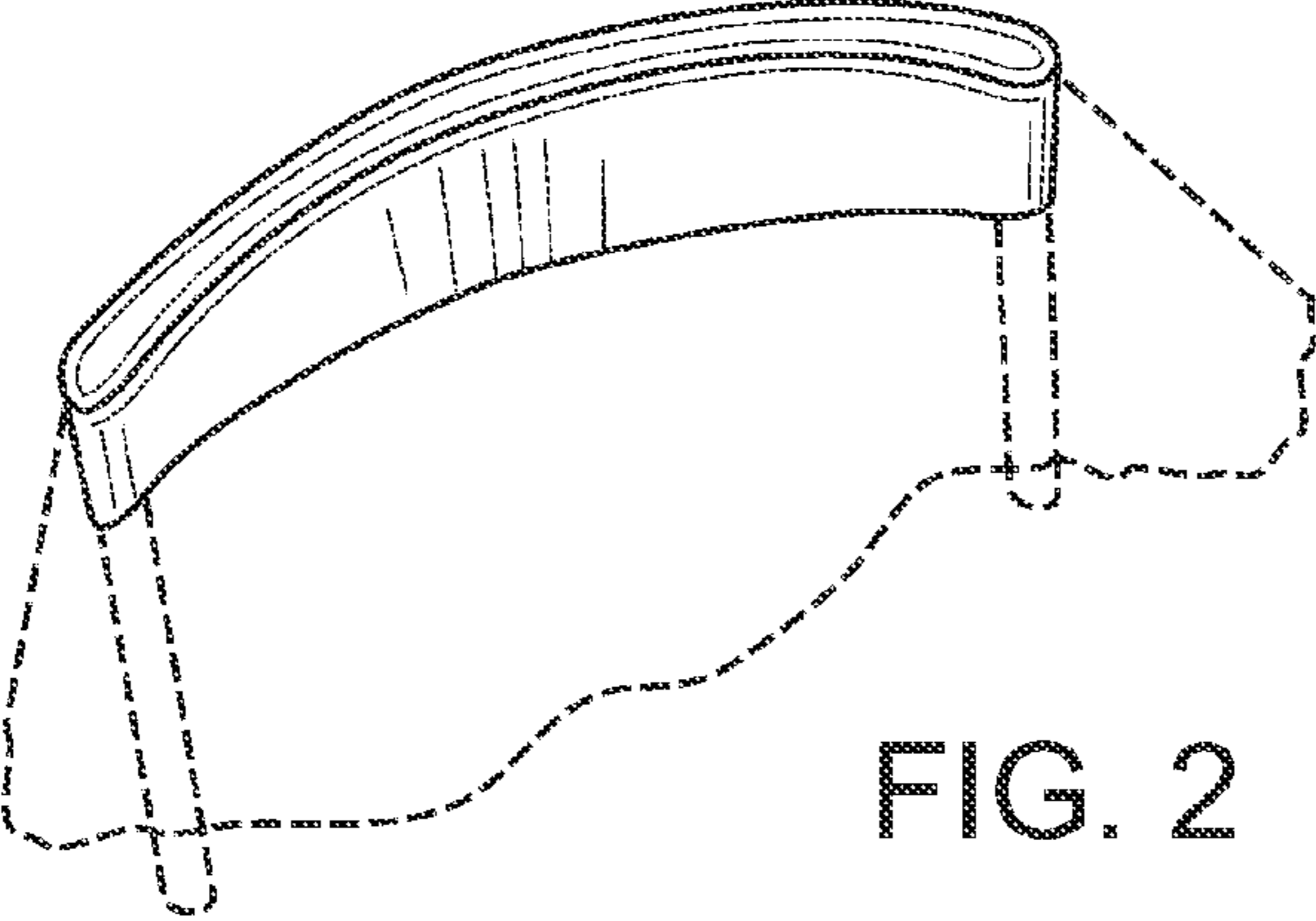


FIG. 2

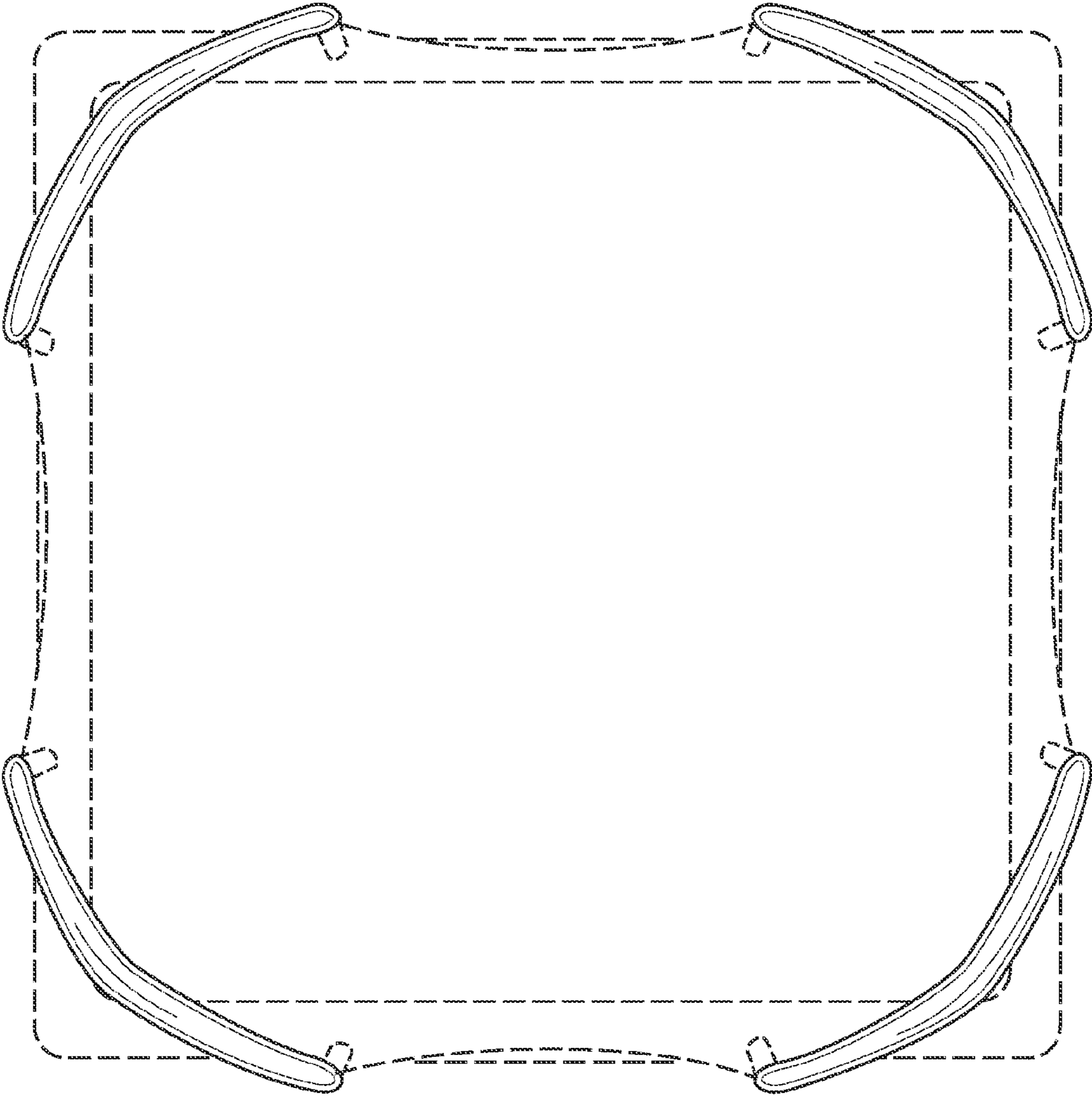


FIG. 3