

US00D570435S

(12) **United States Design Patent**  
**Sanchez et al.**

(10) **Patent No.:** **US D570,435 S**  
(45) **Date of Patent:** **\*\* Jun. 3, 2008**

(54) **GOLF IRON HEAD**

(75) Inventors: **Richard R. Sanchez**, New River, AZ (US); **Michael R. Nicolette**, Scottsdale, AZ (US); **Bradley D. Schweigert**, Anthem, AZ (US)

(73) Assignee: **Karsten Manufacturing Corporation**, Phoenix, AZ (US)

(\*\*) Term: **14 Years**

(21) Appl. No.: **29/281,014**

(22) Filed: **Jun. 13, 2007**

(51) **LOC (8) Cl.** ..... **21-02**

(52) **U.S. Cl.** ..... **D21/748**

(58) **Field of Classification Search** ..... D21/747-751, D21/759; 473/324-331, 350  
See application file for complete search history.

(56) **References Cited**

**U.S. PATENT DOCUMENTS**

- D354,786 S \* 1/1995 Manning et al. .... D21/748
- D372,285 S \* 7/1996 Fortini ..... D21/748
- 6,210,290 B1 \* 4/2001 Erickson et al. .... 473/345
- D494,648 S 8/2004 Schweigert et al.
- D500,350 S \* 12/2004 Schweigert et al. .... D21/747
- D500,351 S \* 12/2004 Schweigert et al. .... D21/747
- D502,237 S 2/2005 Schweigert et al.
- D502,975 S 3/2005 Schweigert et al.
- D504,925 S 5/2005 Schweigert et al.
- D505,171 S 5/2005 Schweigert et al.
- D507,614 S 7/2005 Schweigert et al.
- D508,099 S 8/2005 Schweigert et al.
- D514,183 S 1/2006 Schweigert et al.
- D517,625 S 3/2006 Sanchez et al.
- D526,375 S \* 8/2006 Kawami ..... D21/759
- D530,759 S 10/2006 Nicolette et al.
- D530,760 S \* 10/2006 Schweigert et al. .... D21/749
- D532,849 S 11/2006 Nicolette et al.
- D534,228 S 12/2006 Nicolette et al.
- D534,597 S 1/2007 Nicolette et al.
- D536,759 S 2/2007 Schweigert et al.

- D538,366 S \* 3/2007 Nicolette et al. .... D21/748
- D539,863 S \* 4/2007 Nunez et al. .... D21/748
- D541,360 S 4/2007 Schweigert et al.
- D549,295 S \* 8/2007 Nagai et al. .... D21/759
- D550,316 S \* 9/2007 Nagai et al. .... D21/759
- D553,704 S \* 10/2007 Nunez et al. .... D21/759
- D554,215 S \* 10/2007 Ruggiero et al. .... D21/759
- D554,217 S \* 10/2007 Ruggiero et al. .... D21/759
- D554,218 S \* 10/2007 Ruggiero et al. .... D21/759
- D561,285 S \* 2/2008 Llewellyn et al. .... D21/759
- D561,855 S \* 2/2008 Schweigert et al. .... D21/747
- D562,925 S \* 2/2008 Schweigert et al. .... D21/759

**OTHER PUBLICATIONS**

Bradley D. Schweigert, et al., "Golf Iron Head," U.S. Appl. No. 29/279,374, filed Apr. 27, 2007.

(Continued)

*Primary Examiner*—Mitchell I Siegel

(57) **CLAIM**

The ornamental design for a golf iron head, as shown and described.

**DESCRIPTION**

FIG. 1 is a top perspective view of an example golf iron head;

FIG. 2 is a bottom perspective view of the golf iron head of FIG. 1;

FIG. 3 is a front elevational view of the golf iron head of FIG. 1;

FIG. 4 is a rear elevational view of the golf iron head of FIG. 1;

FIG. 5 is a top view of the golf iron head of FIG. 1;

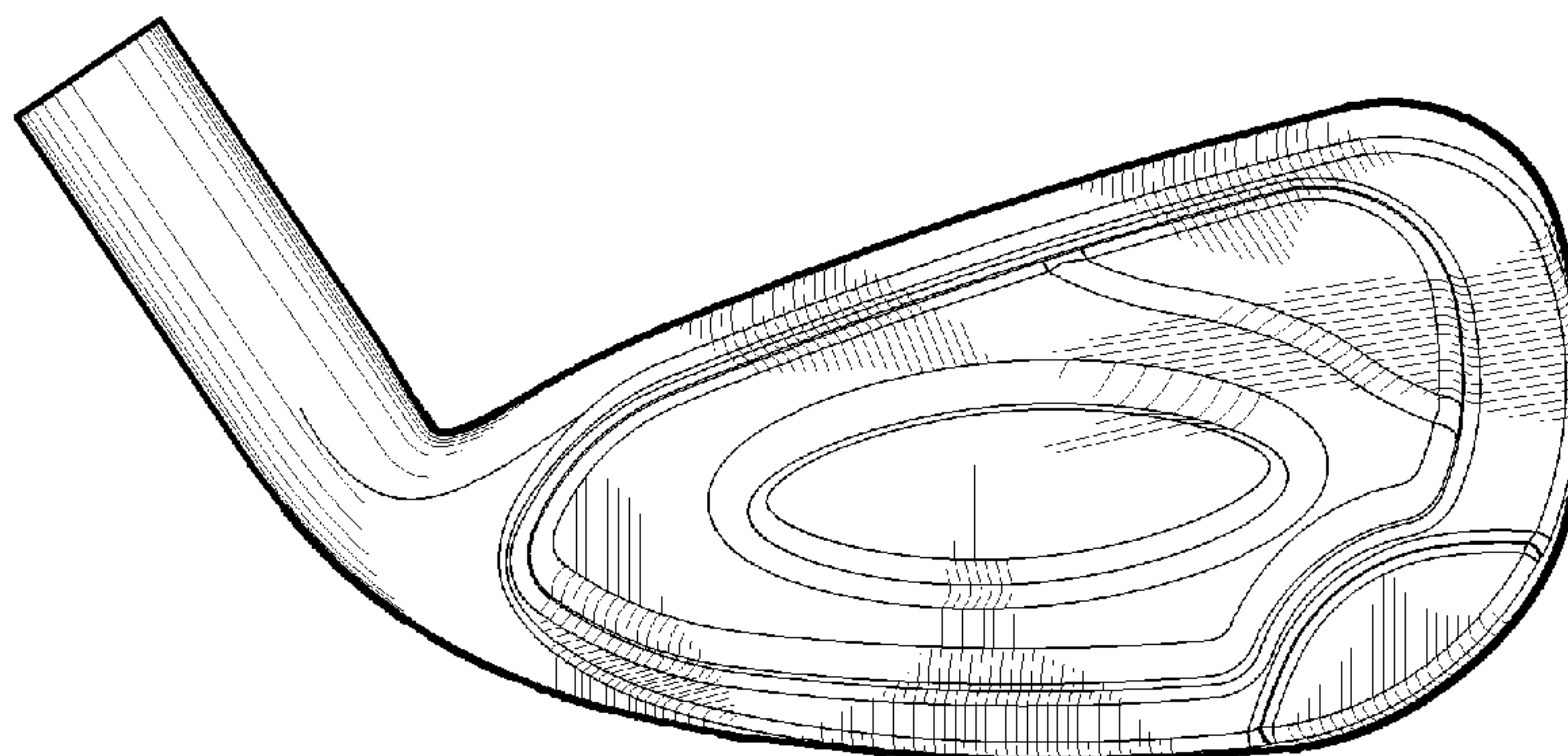
FIG. 6 is a bottom view of the golf iron head of FIG. 1;

FIG. 7 is a heel end view of the golf iron head of FIG. 1; and,

FIG. 8 is a toe end view of the golf iron head of FIG. 1.

The broken line showing is included for the purpose of illustrating and forms no part of the claimed design.

**1 Claim, 3 Drawing Sheets**



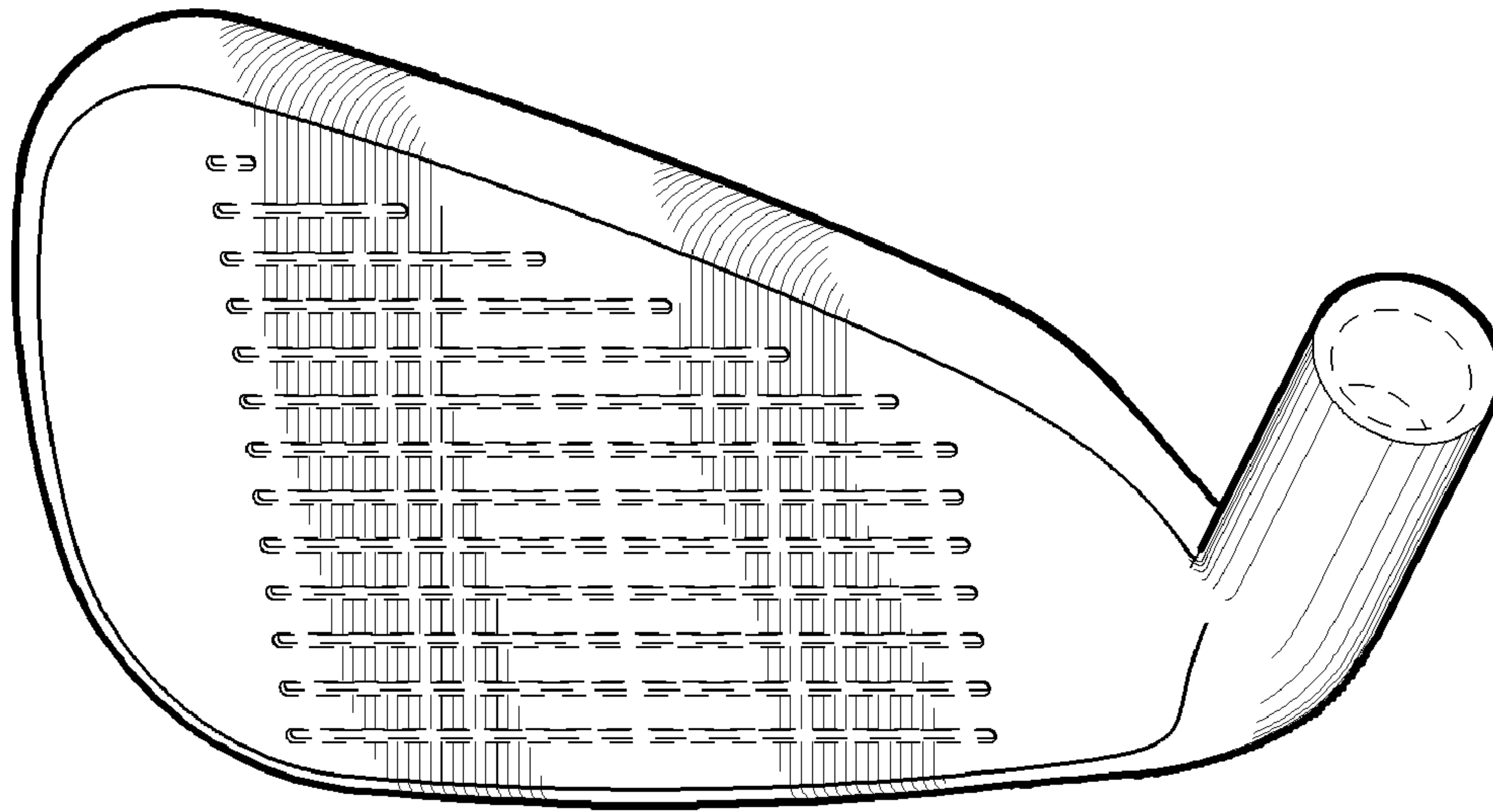
OTHER PUBLICATIONS

Michael R. Nicolette, et al., "Golf Iron Head," U.S. Appl. No. 29/280,468, filed May 29, 2007.

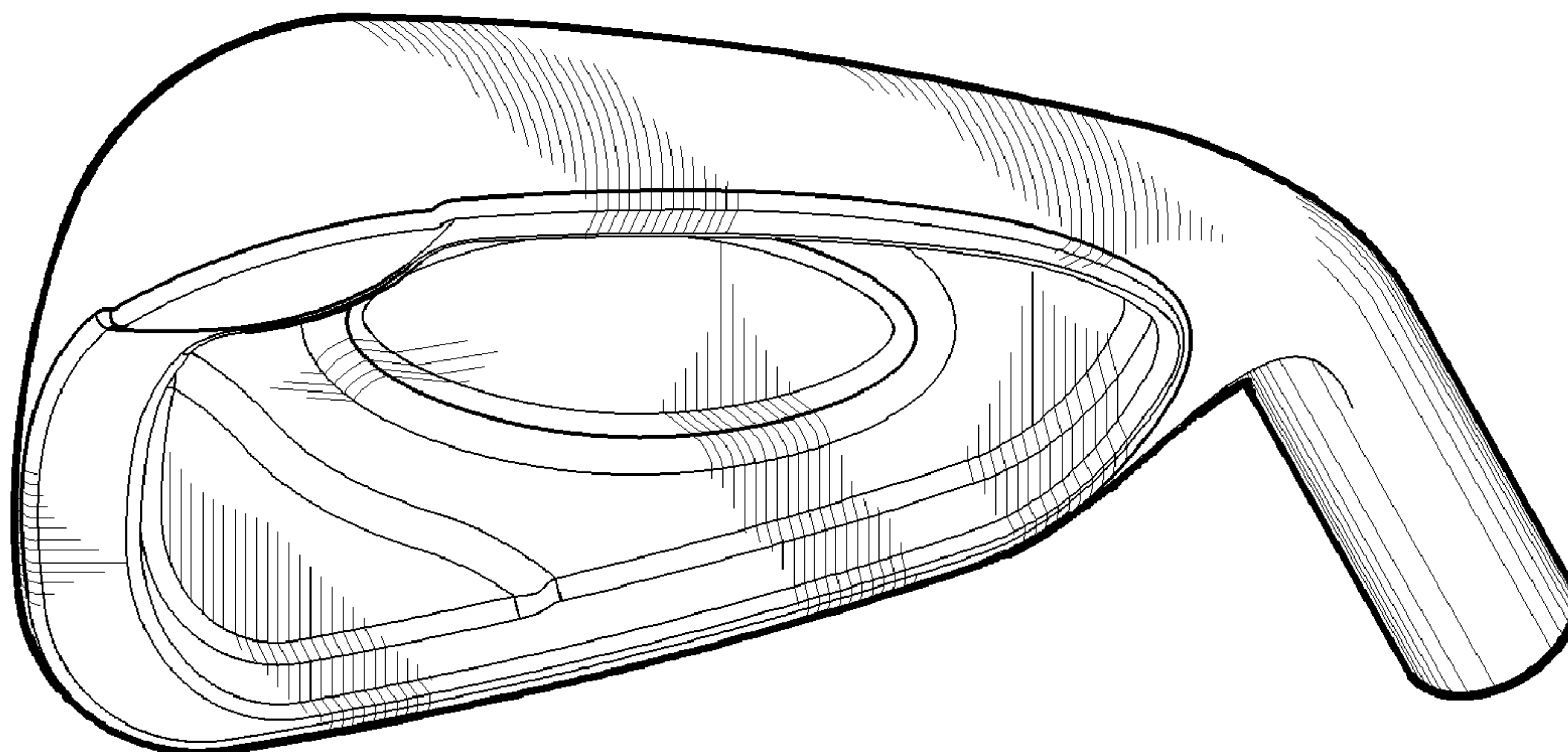
Bradley D. Schweigert, et al., "Golf Iron Head," U.S. Appl. No. 29/280,469, filed May 29, 2007.

Bradley D. Schweigert, et al., "Golf Iron Head," U.S. Appl. No. 29/280,473, filed May 29, 2007.

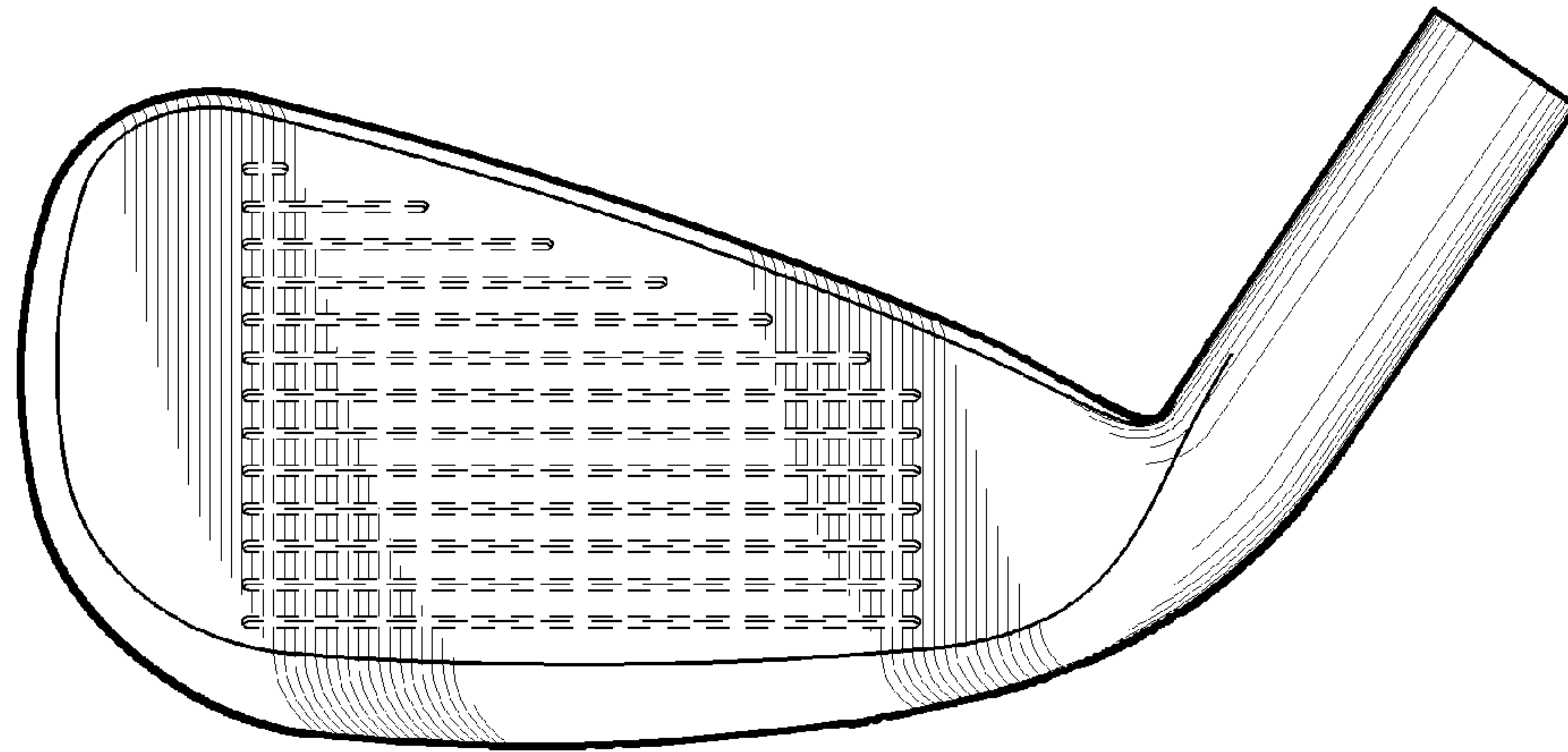
\* cited by examiner



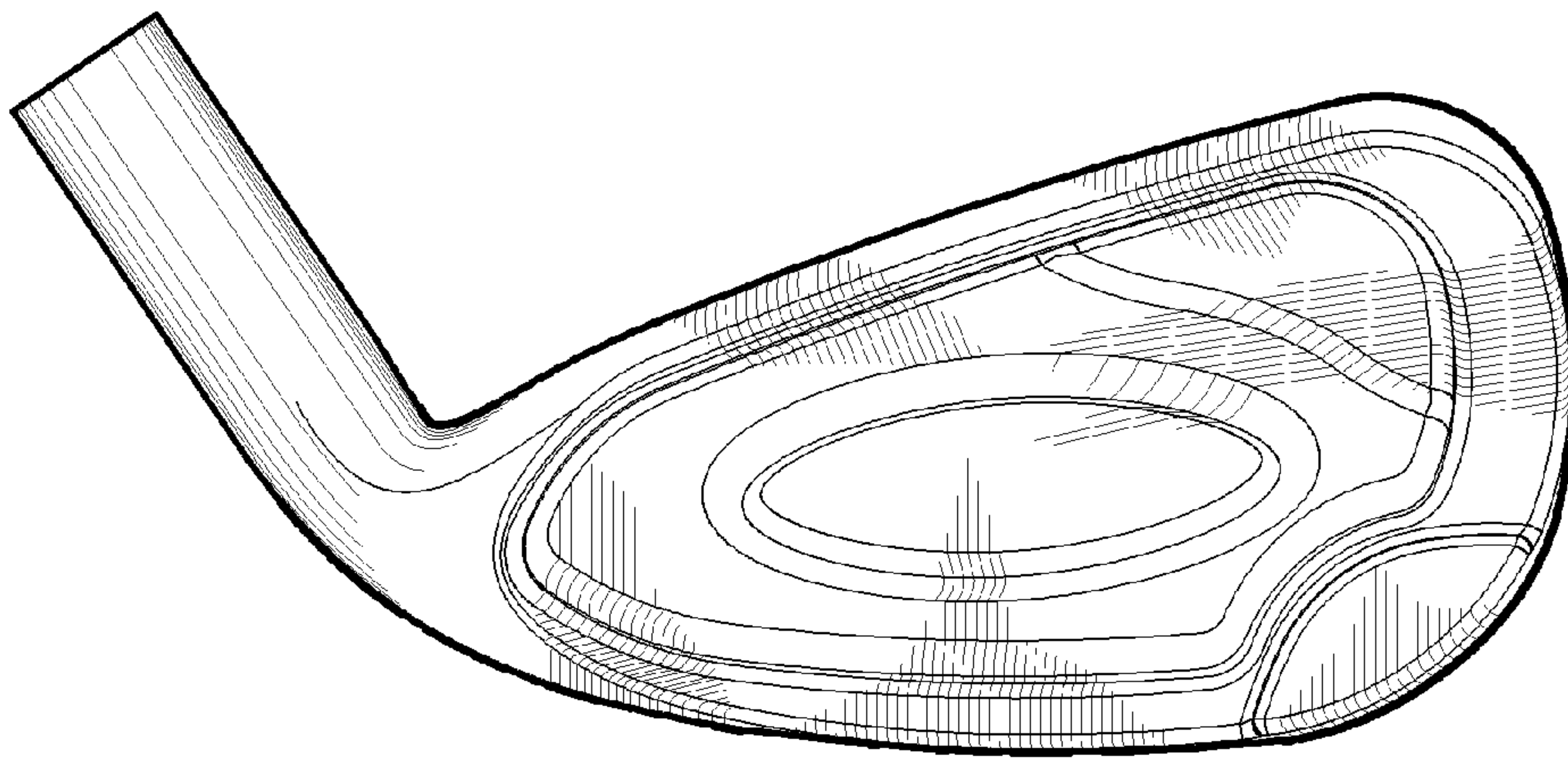
*Fig. 1*



*Fig. 2*

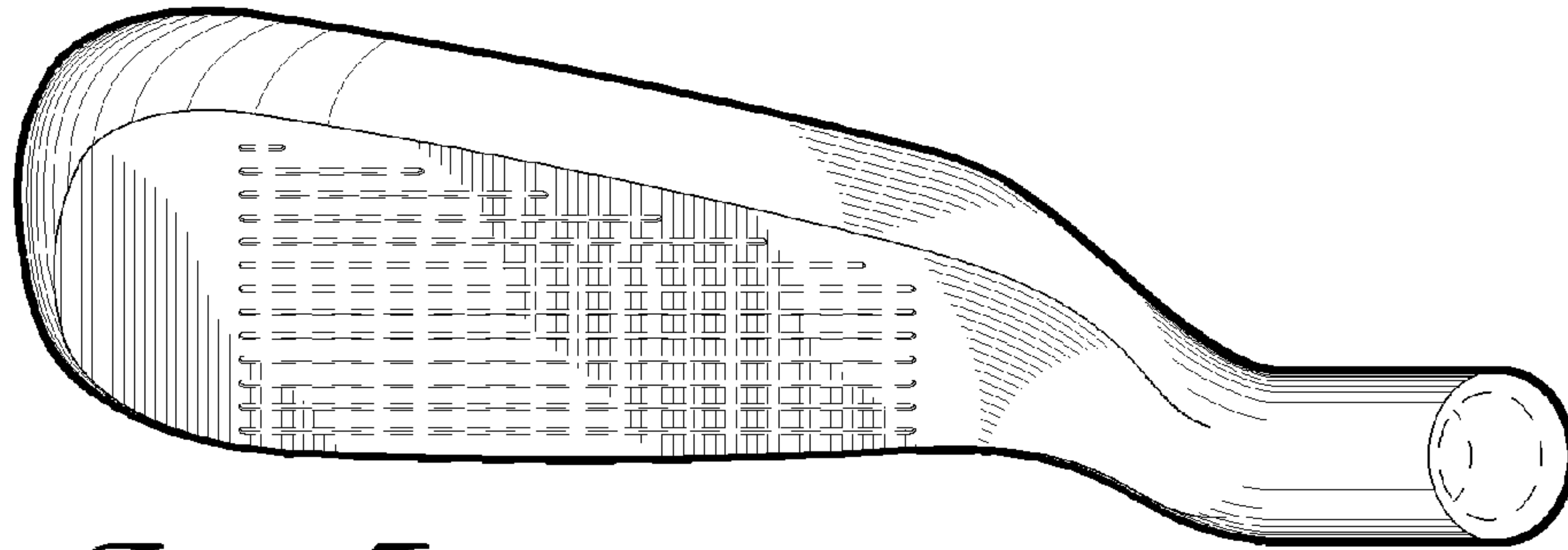


*Fig. 3*

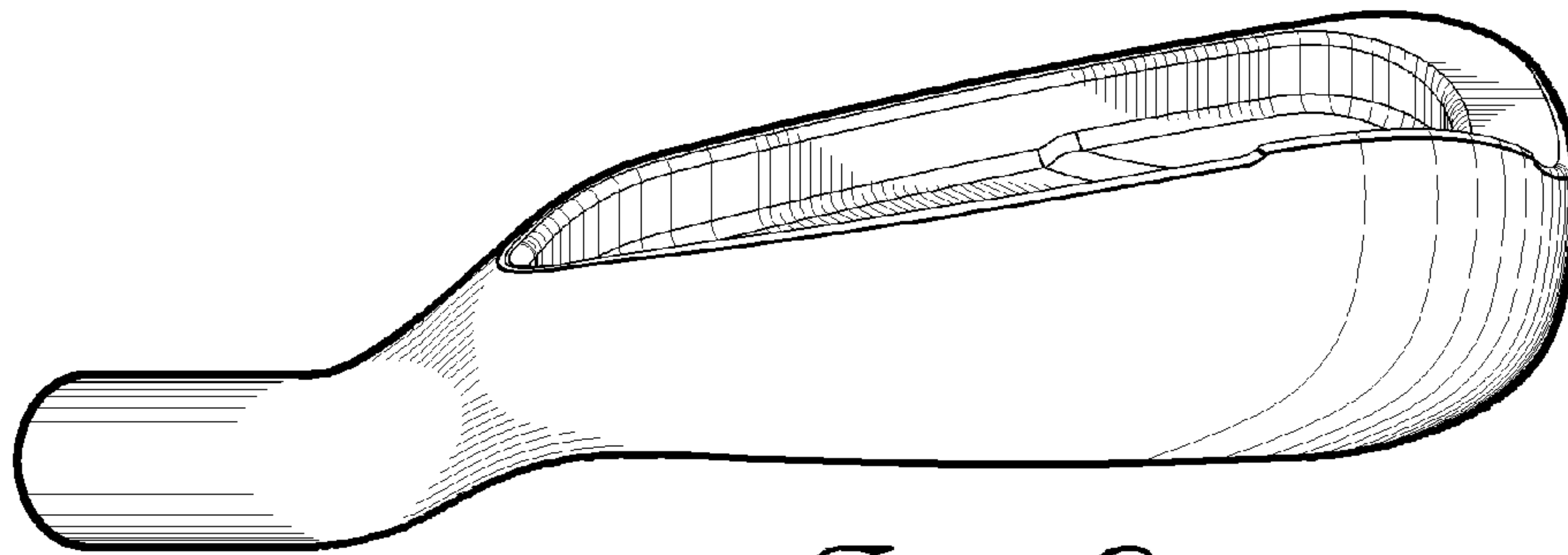


*Fig. 4*

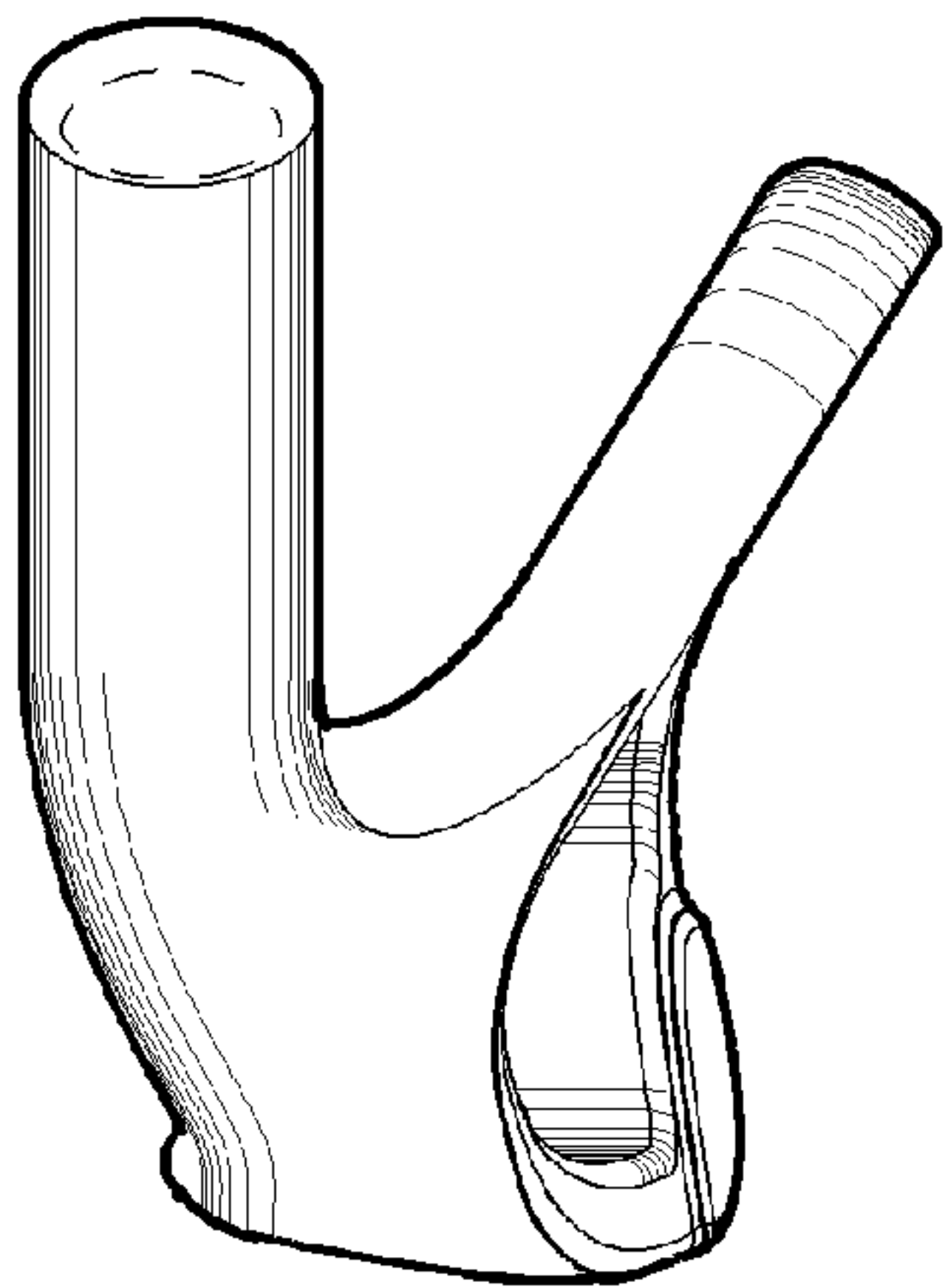




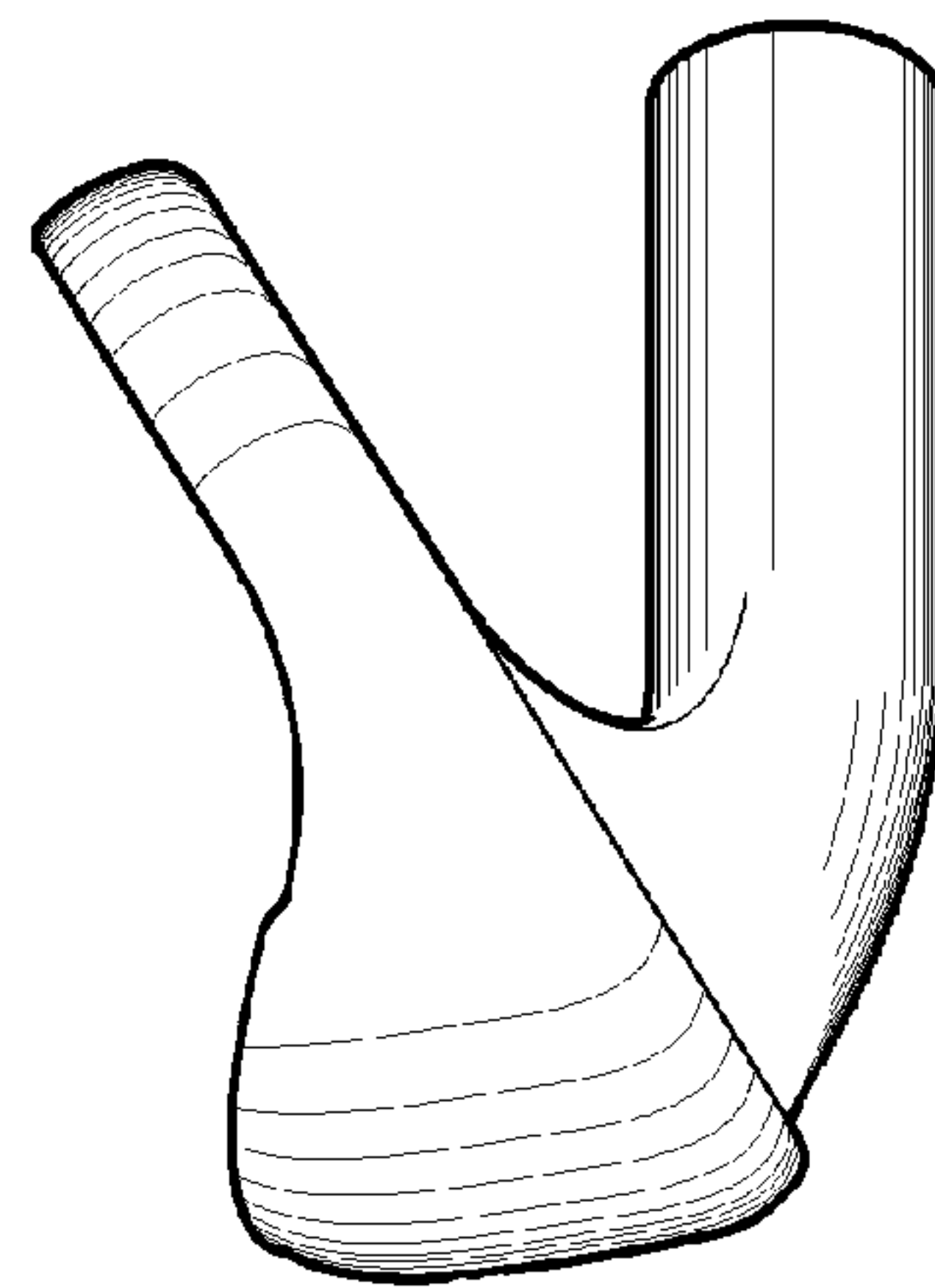
*Fig. 5*



*Fig. 6*



*Fig. 7*



*Fig. 8*