

US00D570430S

(12) **United States Design Patent**  
**Horita**

(10) **Patent No.:** **US D570,430 S**  
(45) **Date of Patent:** **\*\* Jun. 3, 2008**

(54) **LINKAGE FOR AN EXERCISE DEVICE**

(75) Inventor: **Sean Horita**, Seattle, WA (US)

(73) Assignee: **Precor Incorporated**, Woodinville, WA (US)

(\*\*) Term: **14 Years**

(21) Appl. No.: **29/270,606**

(22) Filed: **Dec. 28, 2006**

(51) **LOC (8) Cl.** ..... **21-02**

(52) **U.S. Cl.** ..... **D21/694**

(58) **Field of Classification Search** ..... D21/662–663,  
D21/665–671, 673, 686, 690–691, 694, 696–697;  
482/51–52, 54, 57, 66, 70, 72, 79, 80  
See application file for complete search history.

(56) **References Cited**

**U.S. PATENT DOCUMENTS**

4,611,806	A *	9/1986	Terry	.....	482/142
D290,148	S *	6/1987	Wilson	.....	D21/690
D299,258	S *	1/1989	De Lorenzo	.....	D21/669
5,188,577	A *	2/1993	Young et al.	.....	482/53
D361,806	S *	8/1995	Bartlett	.....	D21/669
D392,006	S *	3/1998	Dalebout et al.	.....	D21/668
D393,027	S *	3/1998	Chen	.....	D21/670
D395,933	S *	7/1998	Lin	.....	D21/662
5,792,027	A *	8/1998	Gvoich	.....	482/51
5,910,072	A	6/1999	Rawls et al.	.....	482/51
D452,890	S *	1/2002	Kiiski et al.	.....	D21/669
D503,757	S *	4/2005	Sjurdagardi	.....	D21/691
D507,025	S *	7/2005	Husted et al.	.....	D21/668
7,153,239	B1 *	12/2006	Stearns et al.	.....	482/52
7,229,386	B2 *	6/2007	Wu et al.	.....	482/52
2003/0092532	A1	5/2003	Giannelli et al.	.....	482/51
2004/0224825	A1	11/2004	Giannelli et al.	.....	482/51
2005/0124466	A1	6/2005	Rodgers, Jr.	.....	482/52
2005/0124467	A1	6/2005	Rodgers, Jr.	.....	482/52

2006/0035754	A1	2/2006	Giannelli et al.	.....	482/51
2006/0040794	A1	2/2006	Giannelli et al.	.....	482/51
2007/0161464	A1 *	7/2007	Chiles et al.	.....	482/52
2007/0232457	A1 *	10/2007	Porth	.....	482/51
2007/0254778	A1 *	11/2007	Ashby	.....	482/5
2007/0265143	A1 *	11/2007	Stearns et al.	.....	482/52

**OTHER PUBLICATIONS**

AMT™ 100i at PRECOR™ USA.com Products. Downloaded Feb. 4, 2008 at <http://www.precor.com/comm/en/amt/amt100i/>.\*

\* cited by examiner

*Primary Examiner*—Philip S. Hyder  
*Assistant Examiner*—Roselynn Cody  
(74) *Attorney, Agent, or Firm*—Terence P. O'Brien

(57) **CLAIM**

I claim the ornamental design for a linkage for an exercise device, as shown and described.

**DESCRIPTION**

FIG. 1 is a rear side perspective view of a linkage for an exercise device;  
FIG. 2 is a top view thereof;  
FIG. 3 is a first side view thereof;  
FIG. 4 is a second side view thereof;  
FIG. 5 is a front view thereof;  
FIG. 6 is a rear view thereof; and,  
FIG. 7 is a bottom view thereof.

The ornamental design that is claimed is shown in solid lines in the drawings. The broken (dashed) lines shown in the drawings are included for the purpose of illustrating environmental elements only and form no part of the claimed design.

**1 Claim, 6 Drawing Sheets**

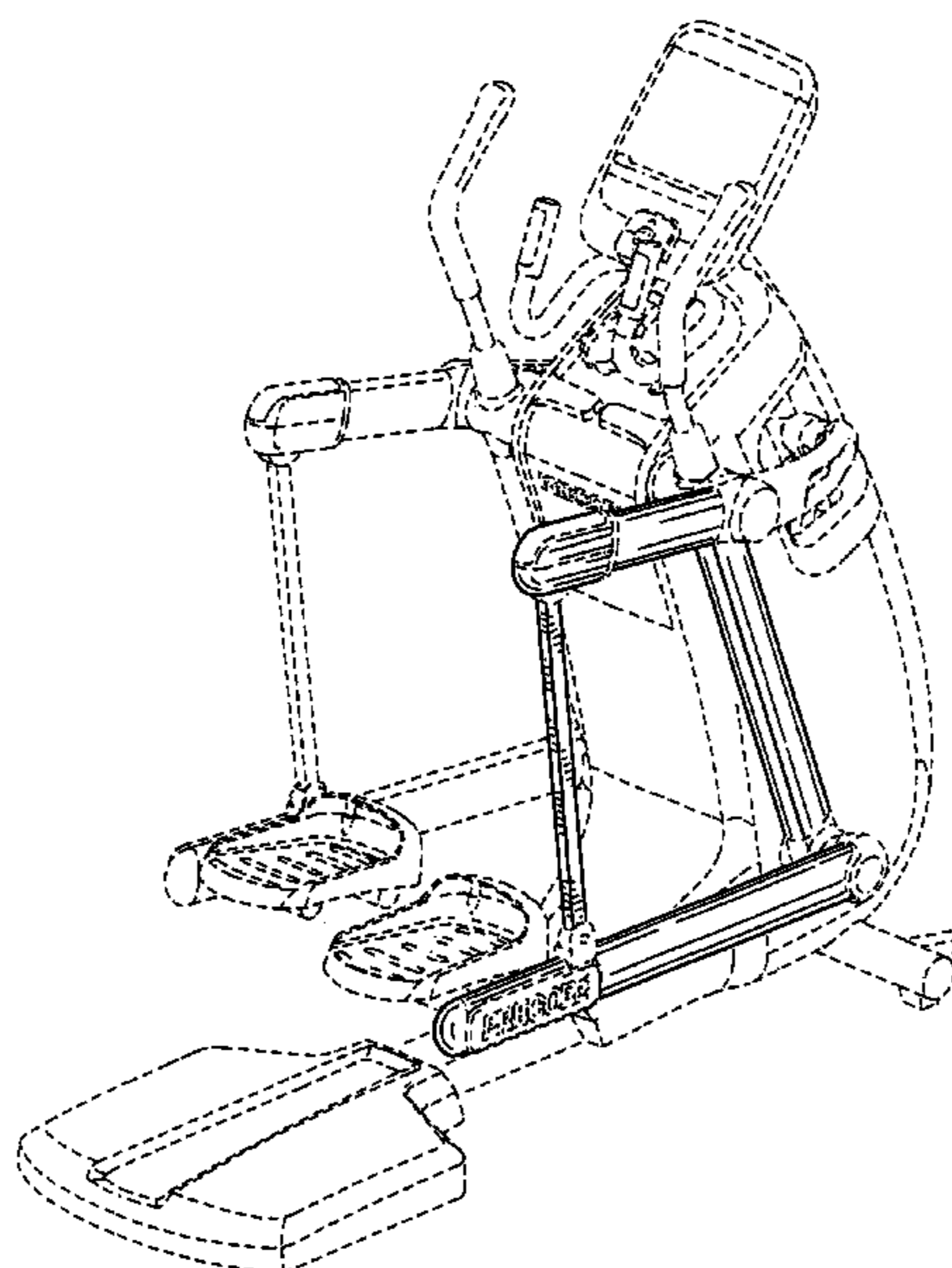
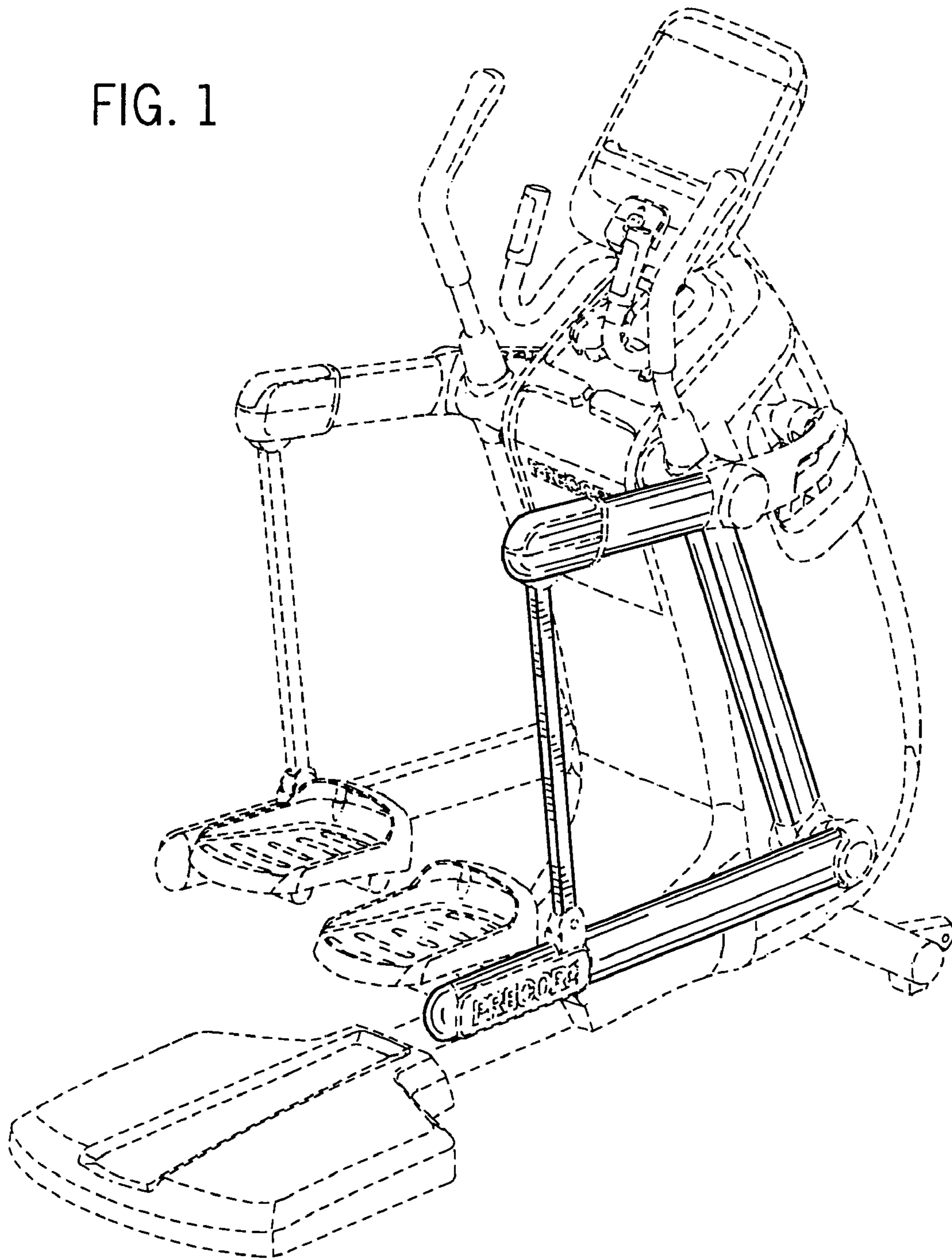


FIG. 1



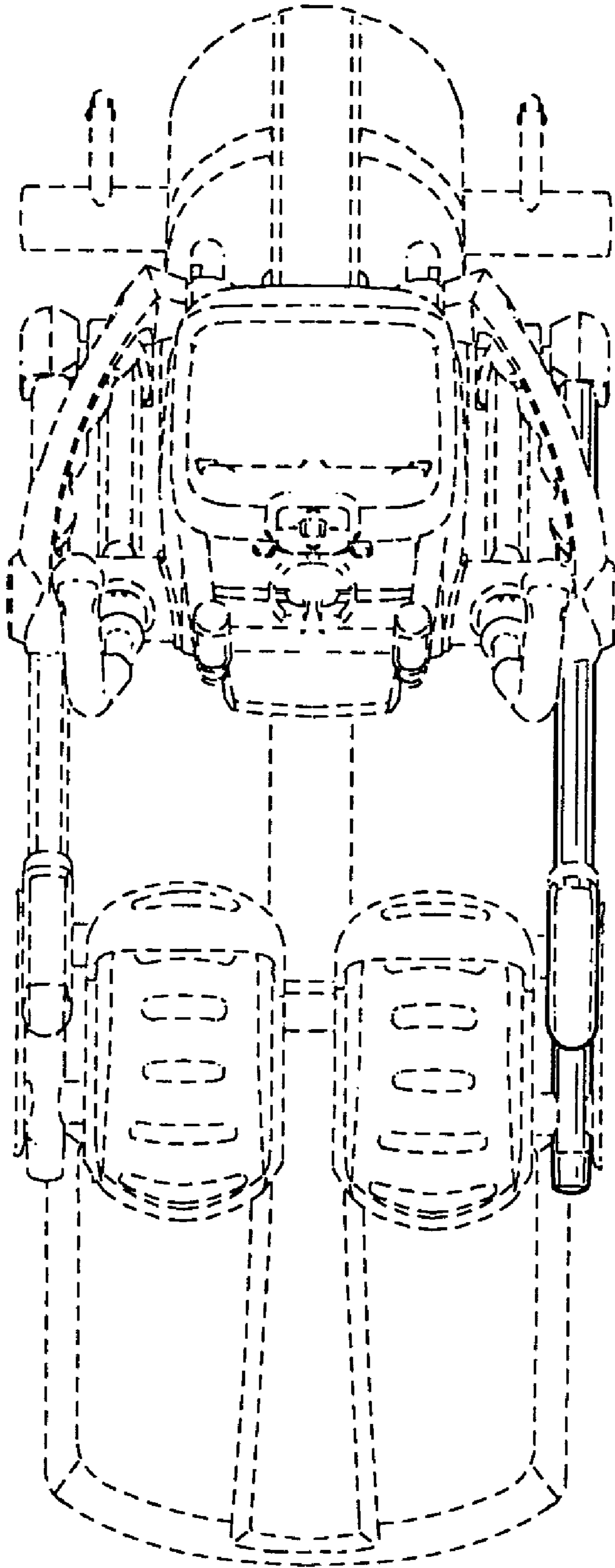


FIG. 2

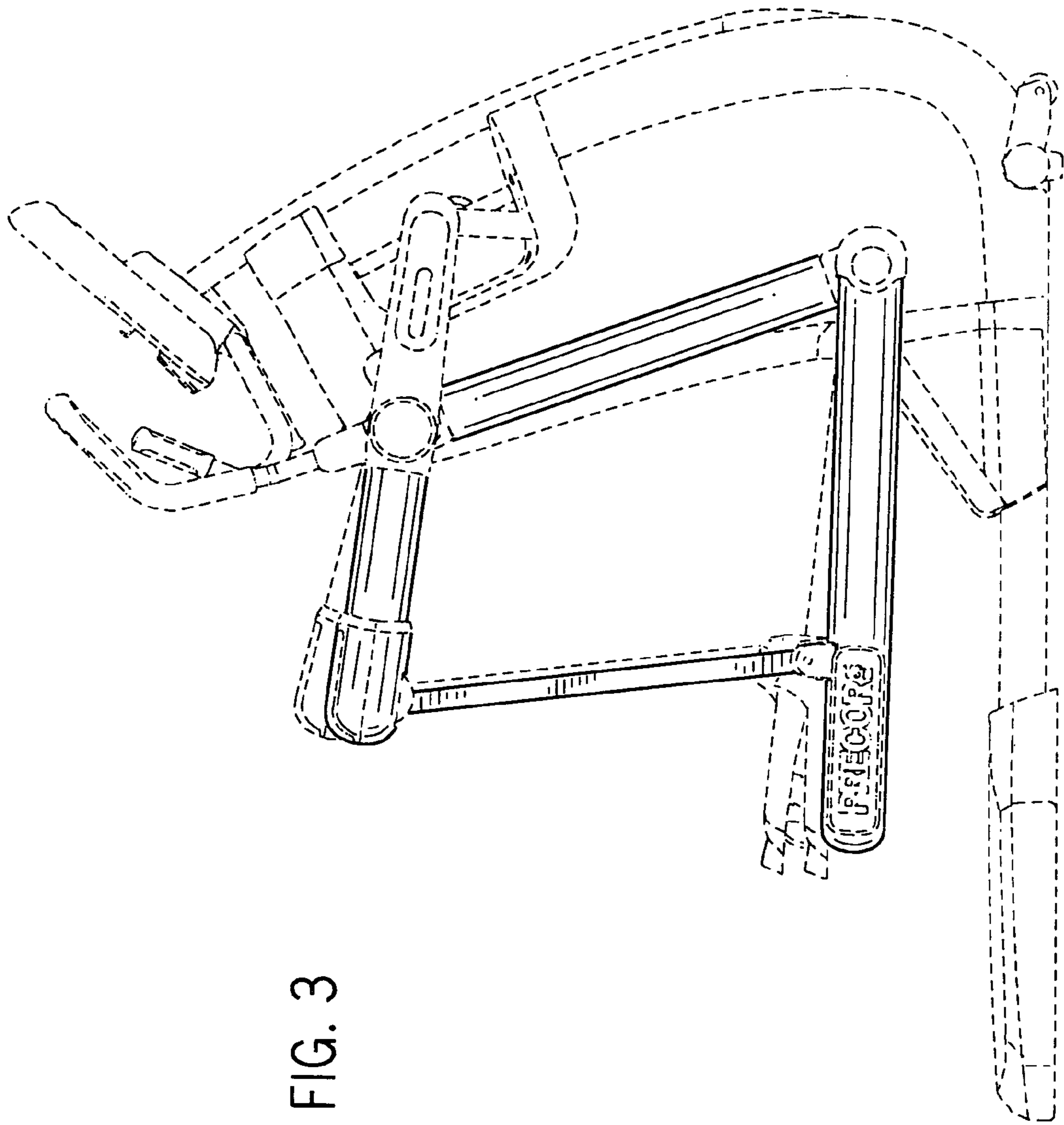


FIG. 3



FIG. 4

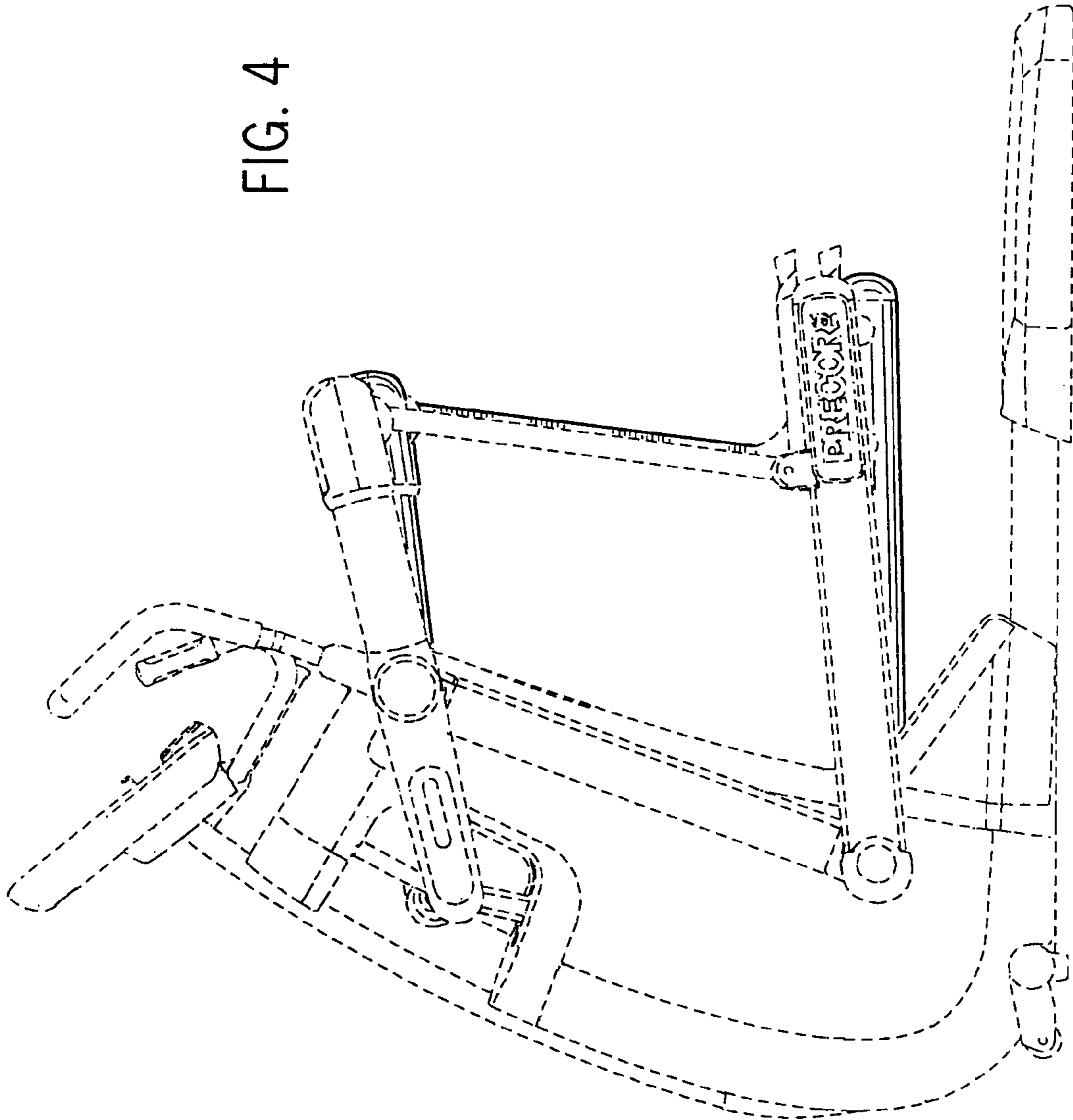


FIG. 6

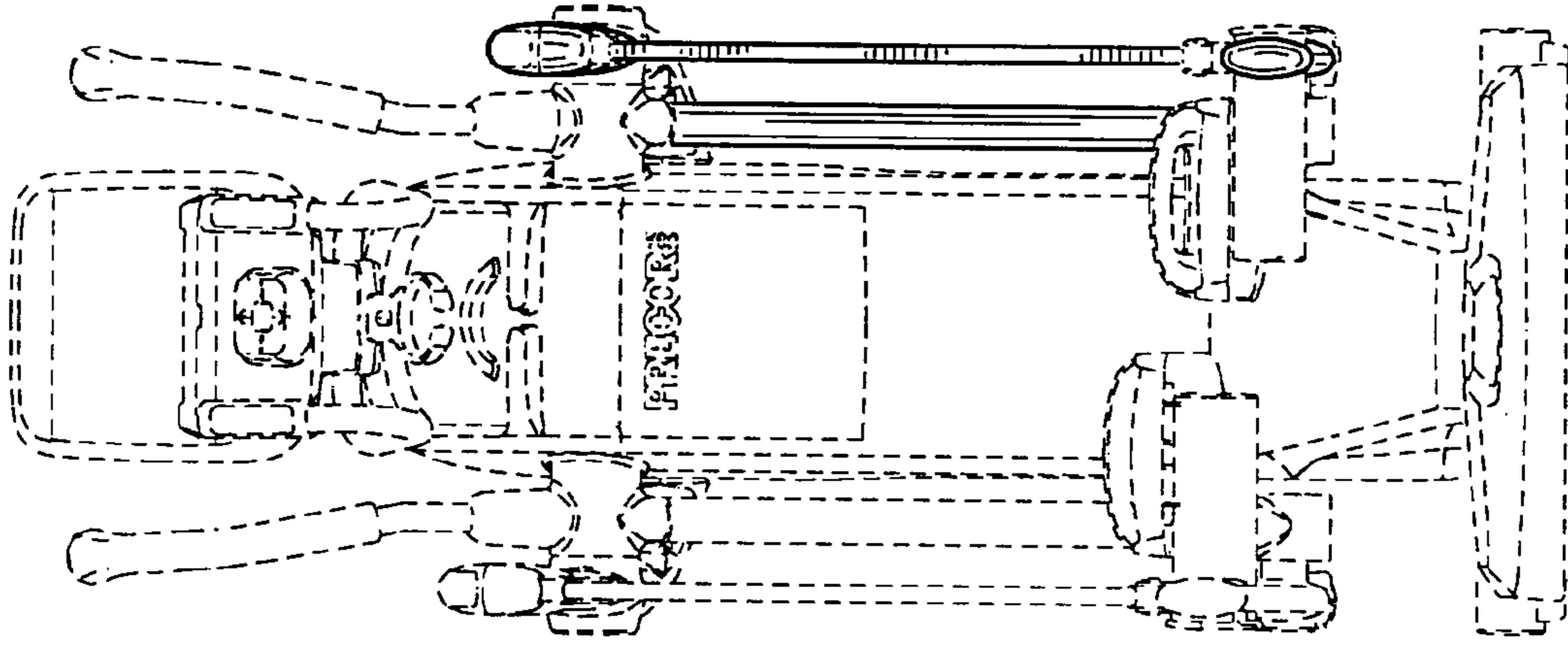
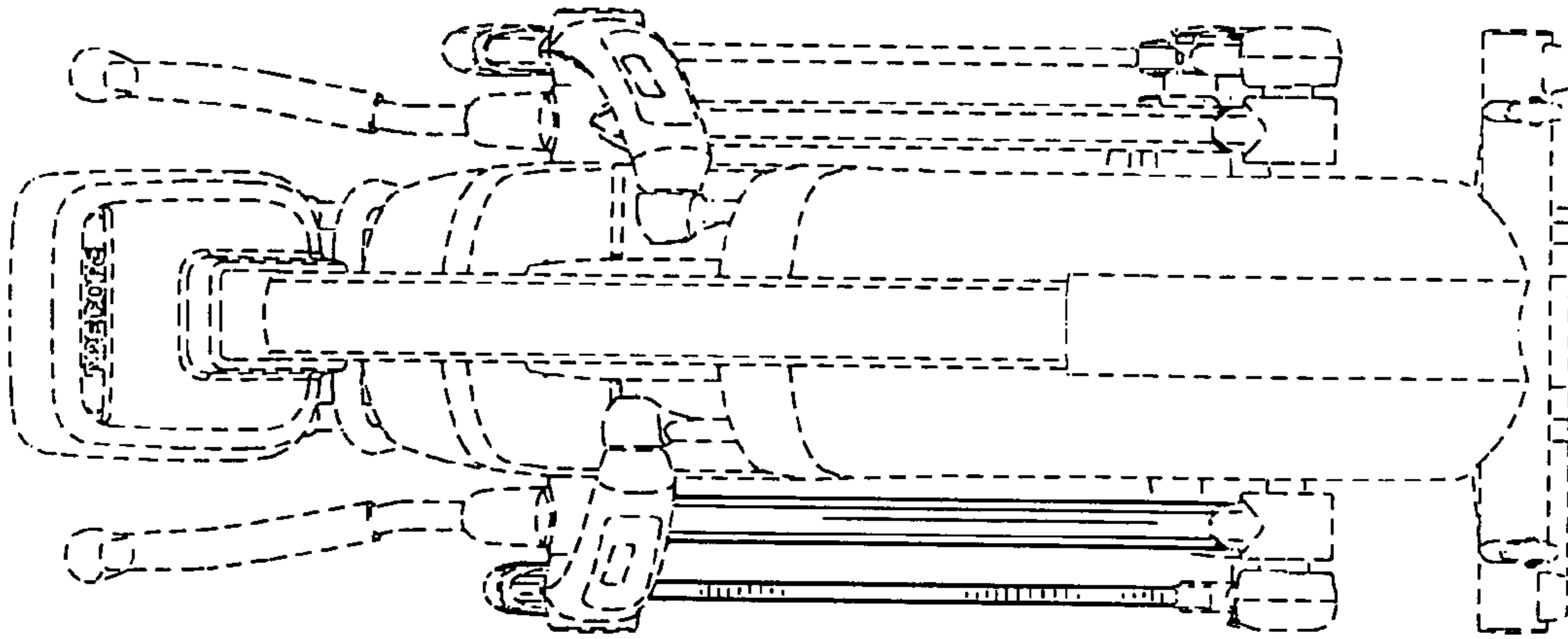


FIG. 5



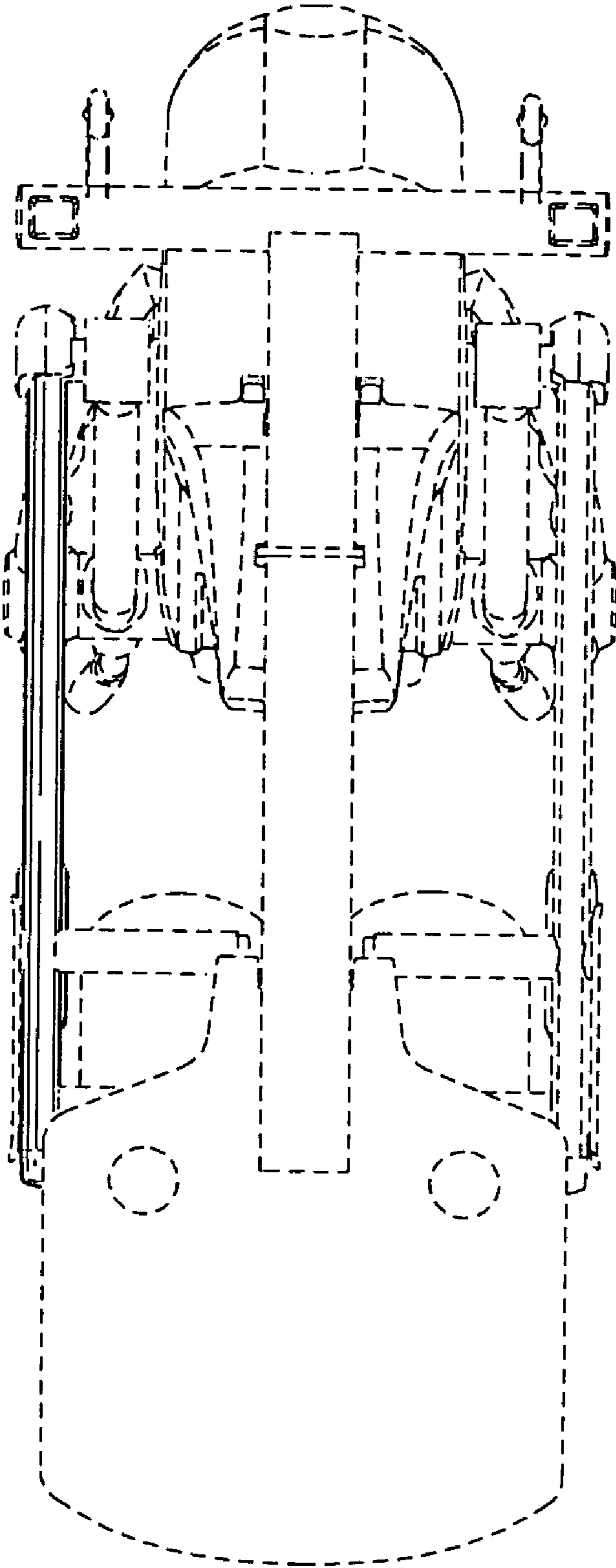


FIG. 7