

US00D570424S

(12) **United States Design Patent**
Blair

(10) **Patent No.:** **US D570,424 S**

(45) **Date of Patent:** **** Jun. 3, 2008**

(54) **COLLAPSIBLE WAGON**

(76) **Inventor:** **Maryann Blair**, 7883 S. Open Trail
La., Gold Canyon, AZ (US) 85218

(**) **Term:** **14 Years**

(21) **Appl. No.:** **29/286,427**

(22) **Filed:** **May 4, 2007**

(51) **LOC (8) Cl.** **21-01**

(52) **U.S. Cl.** **D21/425**

(58) **Field of Classification Search** D21/419,
D21/425, 424, 426, 534, 535, 536; D12/17,
D12/19, 20, 129, 102, 105; 280/87.01, 87.021,
280/47.17, 47.25, 47.34, 47.38, 204, 639
See application file for complete search history.

(56) **References Cited**

U.S. PATENT DOCUMENTS

| | | | | |
|-------------------|---------|------------|-------|-----------|
| D138,194 S * | 7/1944 | Duffy | | D21/425 |
| D138,195 S * | 7/1944 | Duffy | | D21/425 |
| D190,288 S * | 5/1961 | Monax | | D21/425 |
| D345,768 S * | 4/1994 | Bro et al. | | D21/425 |
| D372,942 S * | 8/1996 | Fish, Jr. | | D21/536 |
| D389,877 S * | 1/1998 | Pasin | | D21/425 |
| 5,957,482 A * | 9/1999 | Shorter | | 280/639 |
| 2007/0284900 A1 * | 12/2007 | Size | | 296/26.15 |

* cited by examiner

Primary Examiner—Holly H. Baynham

Assistant Examiner—Cynthia M Chin

(74) *Attorney, Agent, or Firm*—Dickinson-Wright, PLLC

(57) **CLAIM**

I claim the ornamental design for a collapsible wagon, as shown and described.

DESCRIPTION

FIG. 1 is a perspective view,

FIG. 2 is a top view,

FIG. 3 is a left side view,

FIG. 4 is a right side view,

FIG. 5 is a front view,

FIG. 6 is a rear view,

FIG. 7 is a bottom view,

FIG. 8 is a first step folded view,

FIG. 9 is a second step folded view; and,

FIG. 10 is a fully folded view.

The broken lines showing the handle are for illustrative purposes only and form no part of the claimed design.

1 Claim, 8 Drawing Sheets

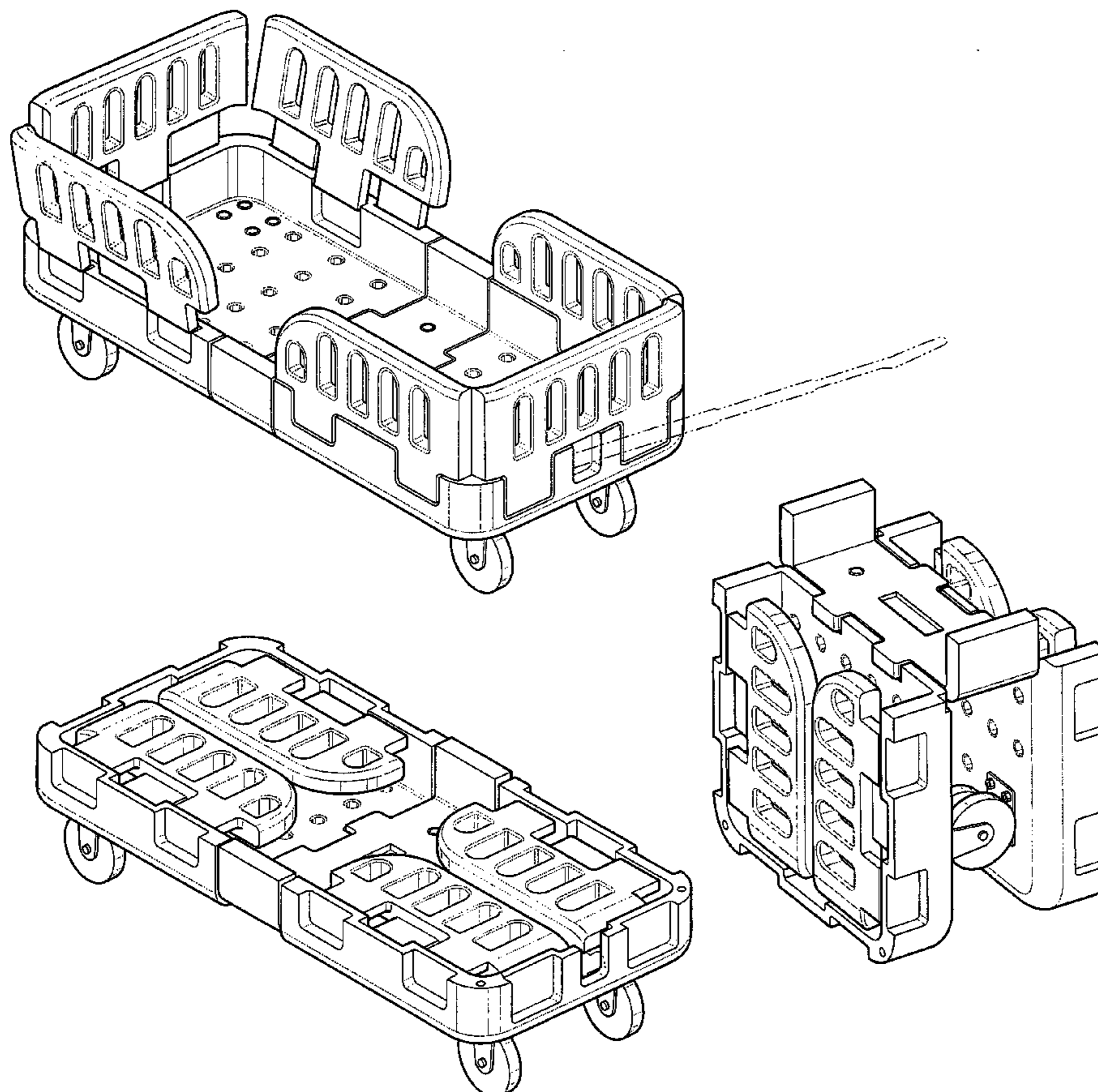
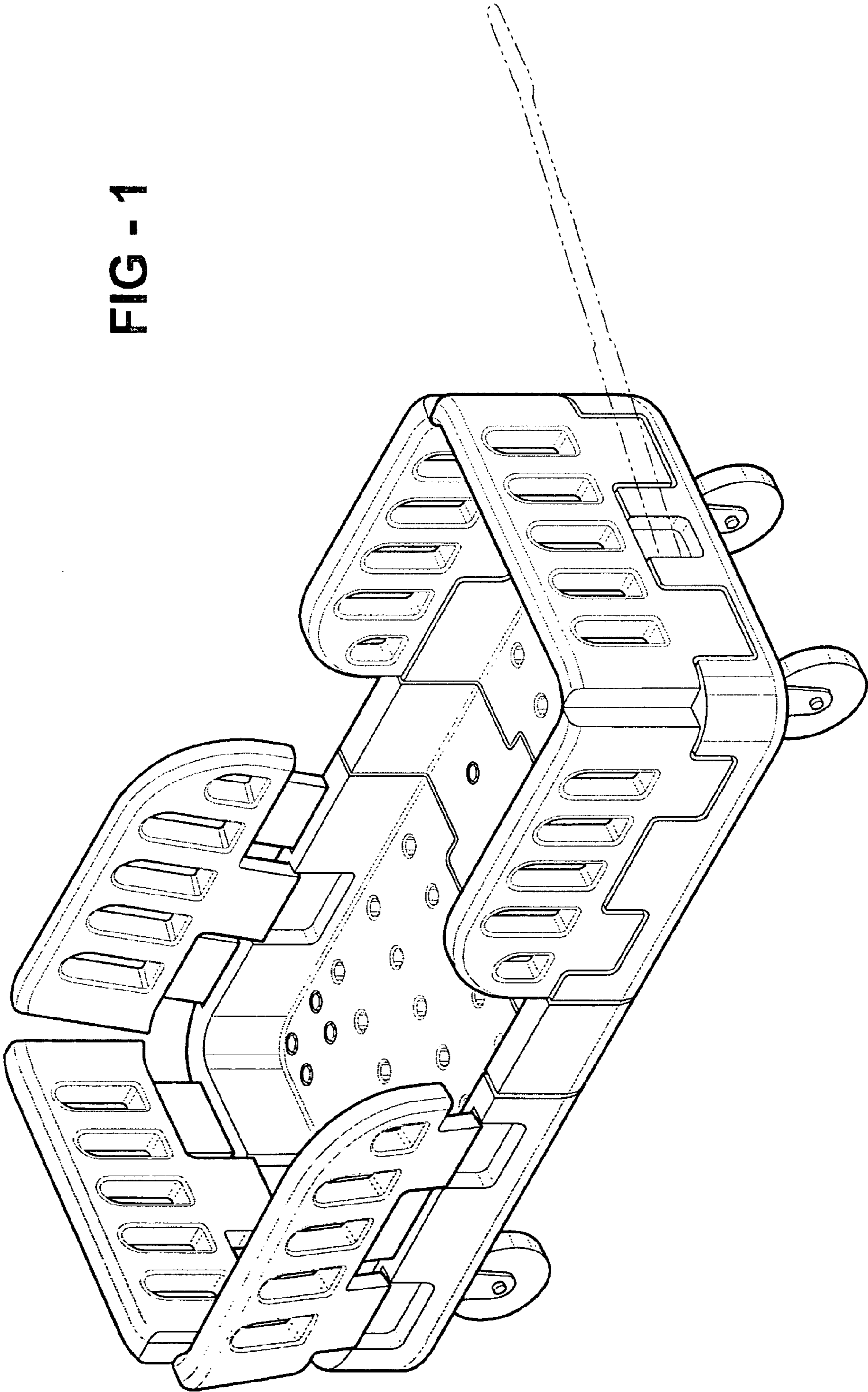


FIG - 1



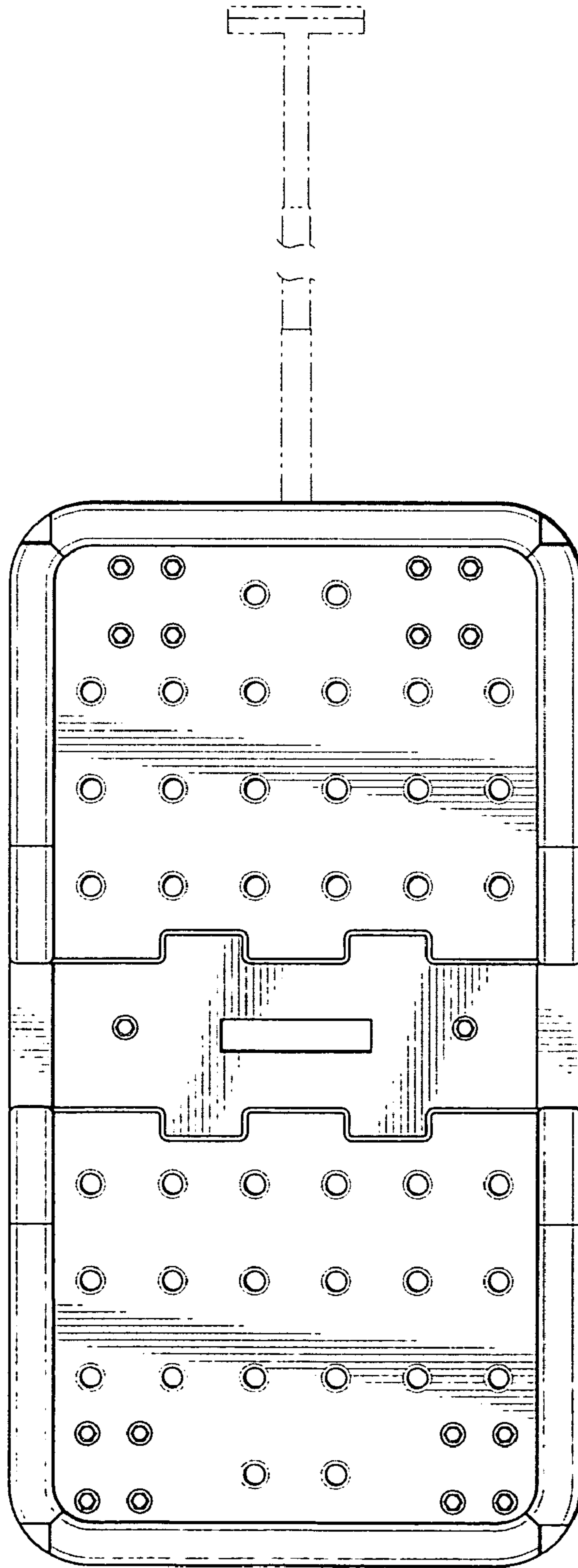


FIG - 2

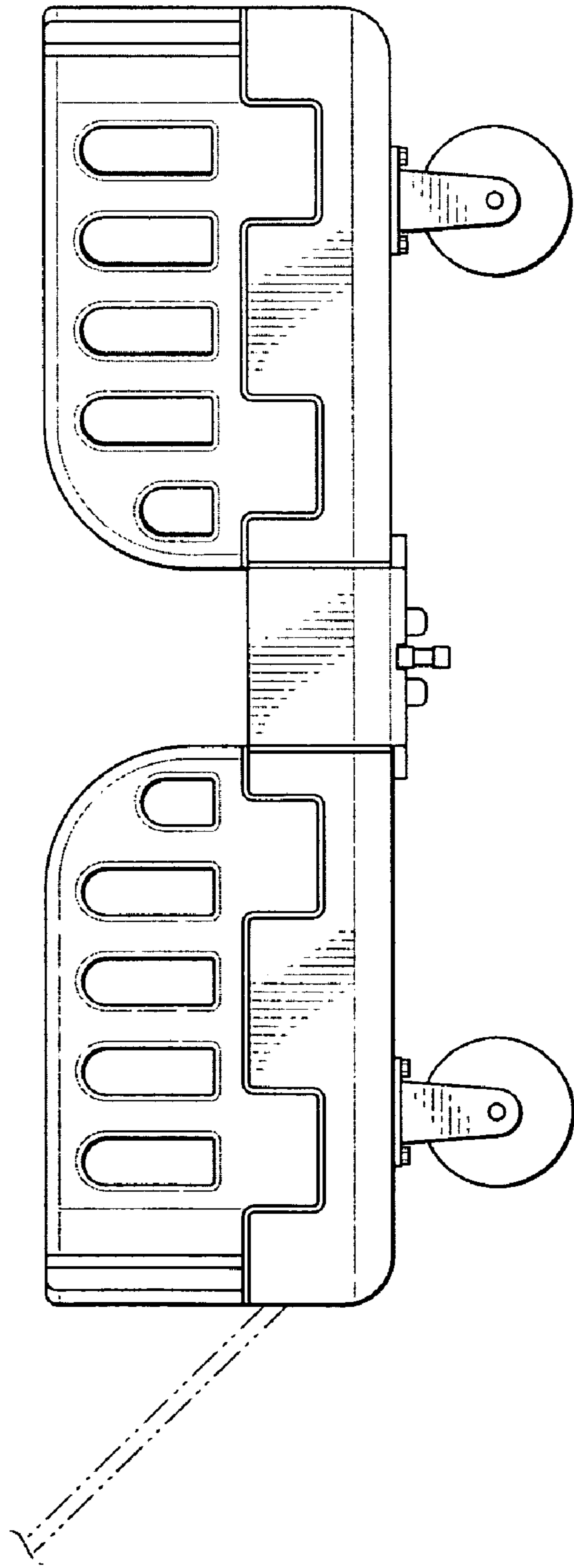


FIG - 3

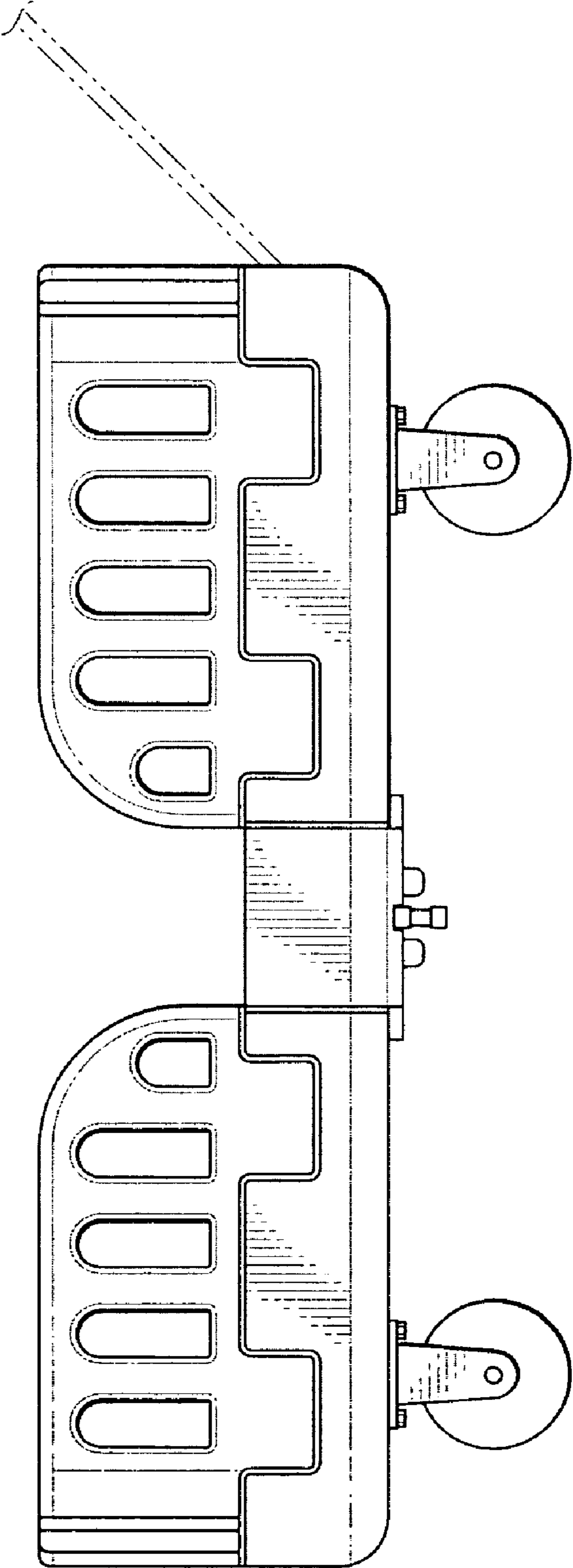


FIG - 4

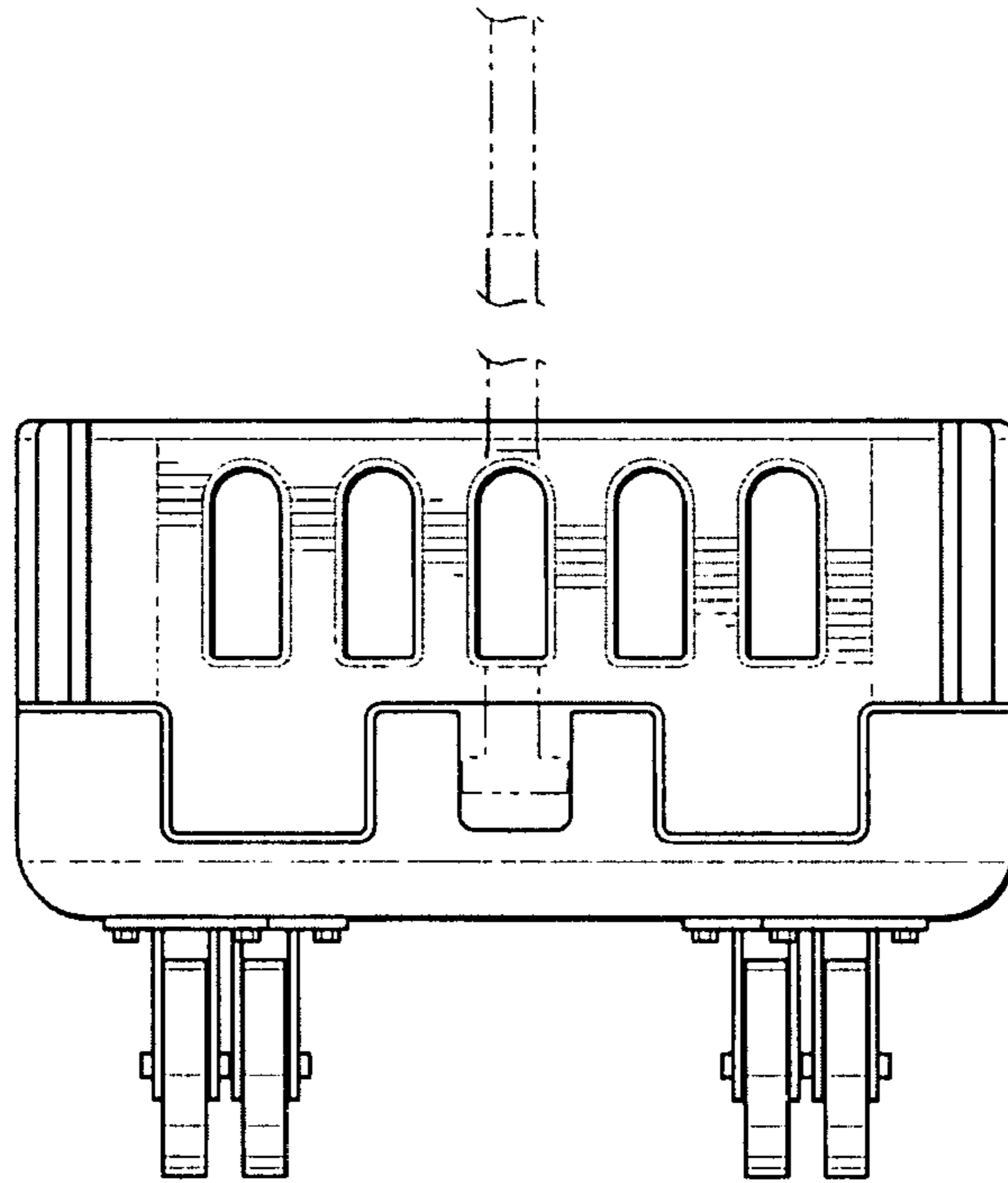


FIG - 5

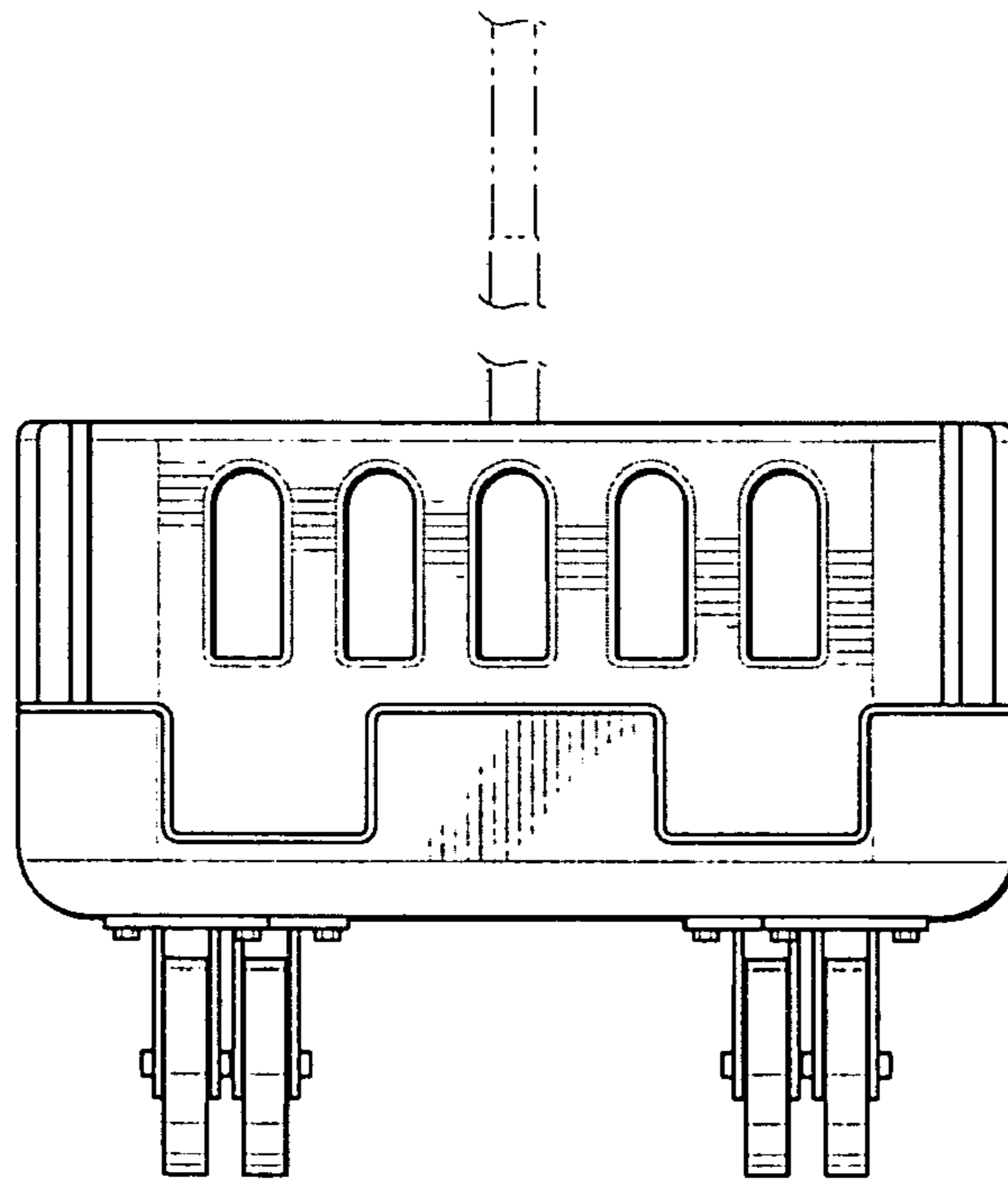


FIG - 6

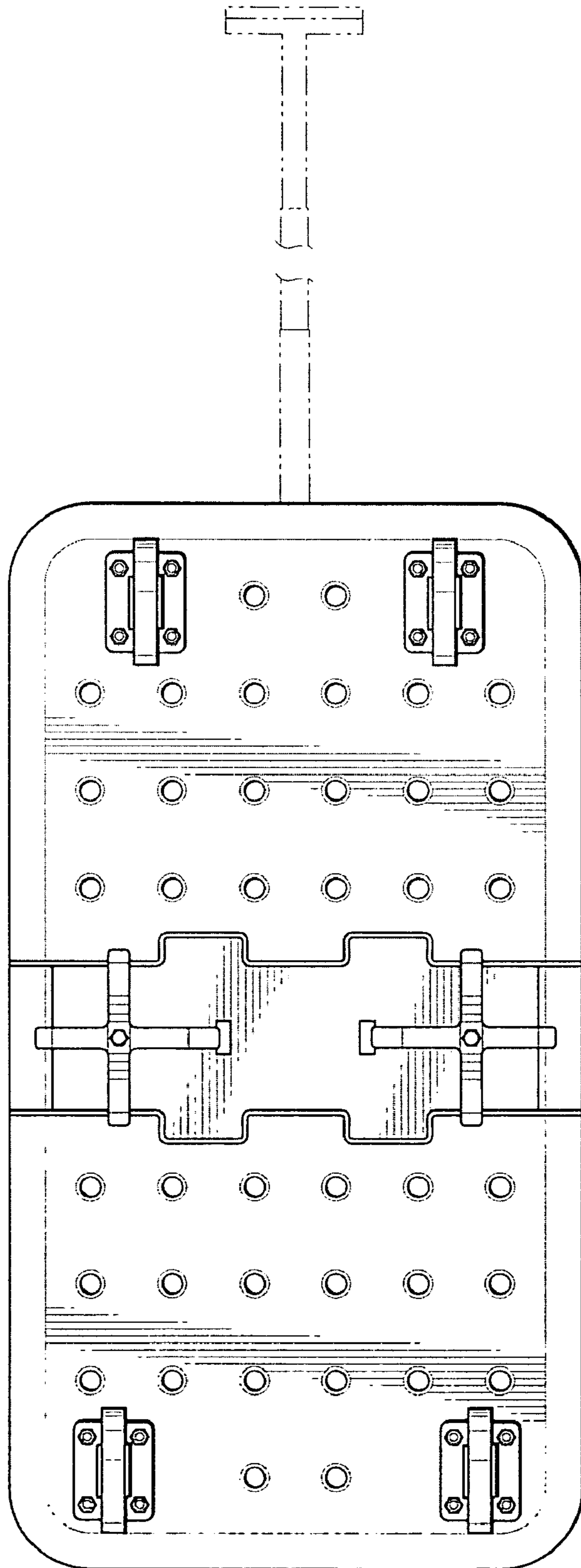


FIG - 7

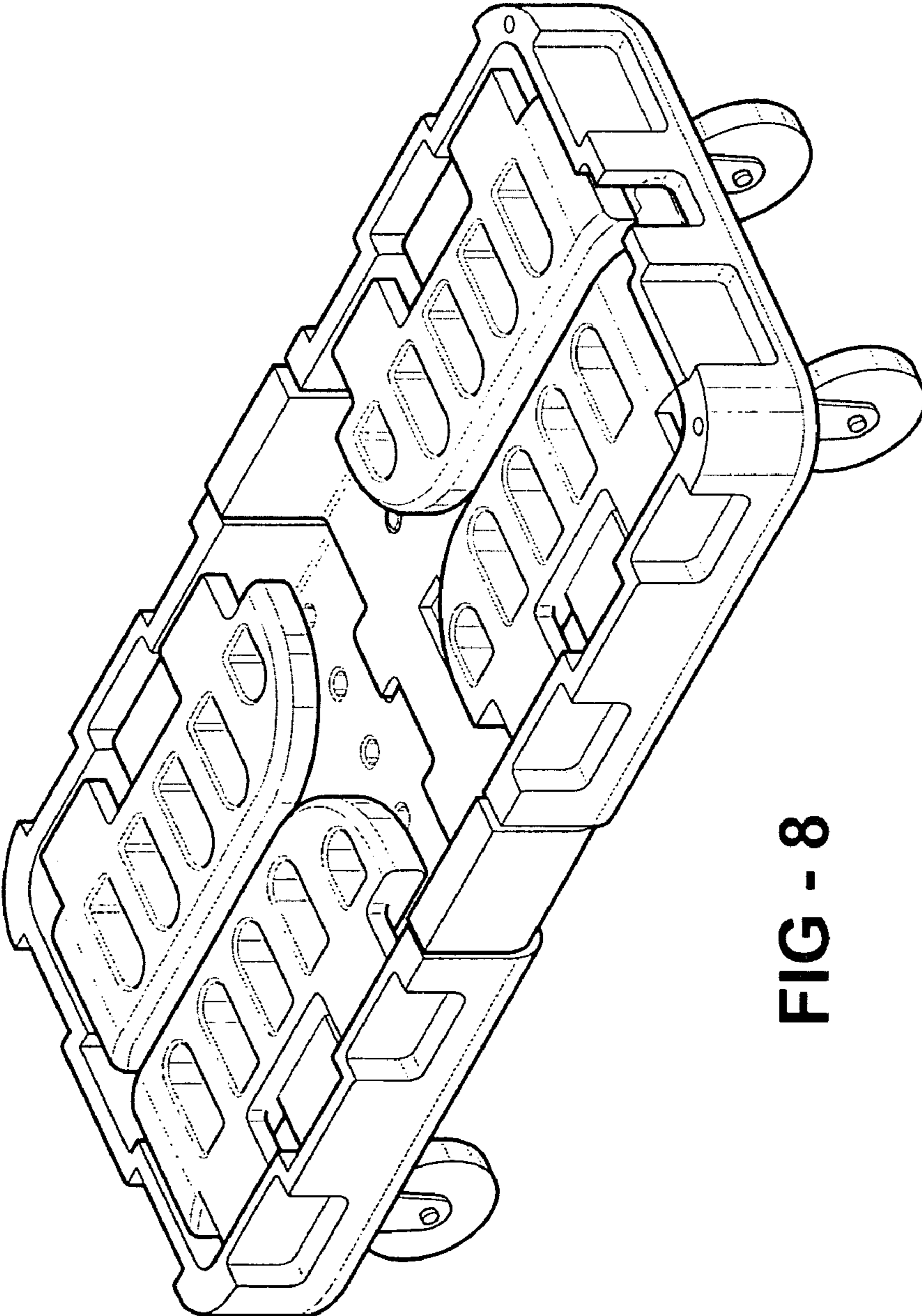


FIG - 8

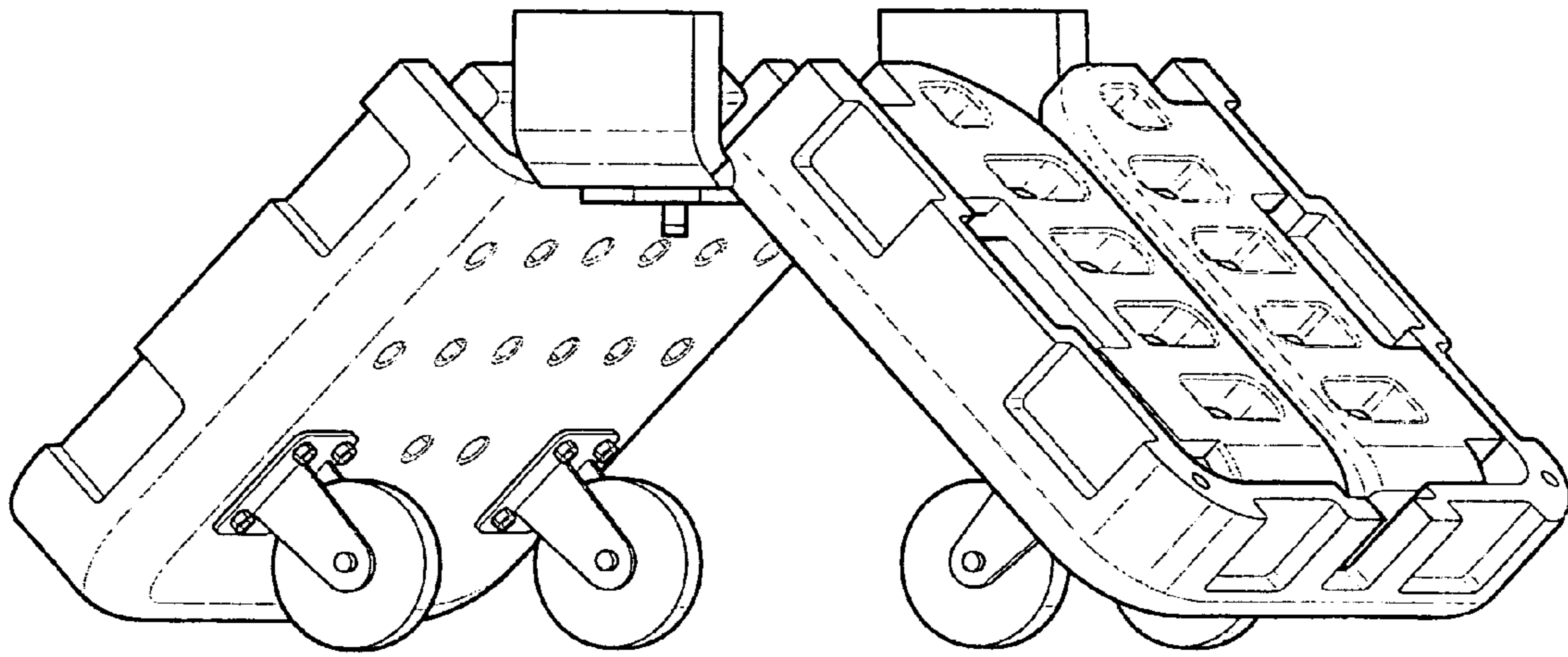


FIG - 9

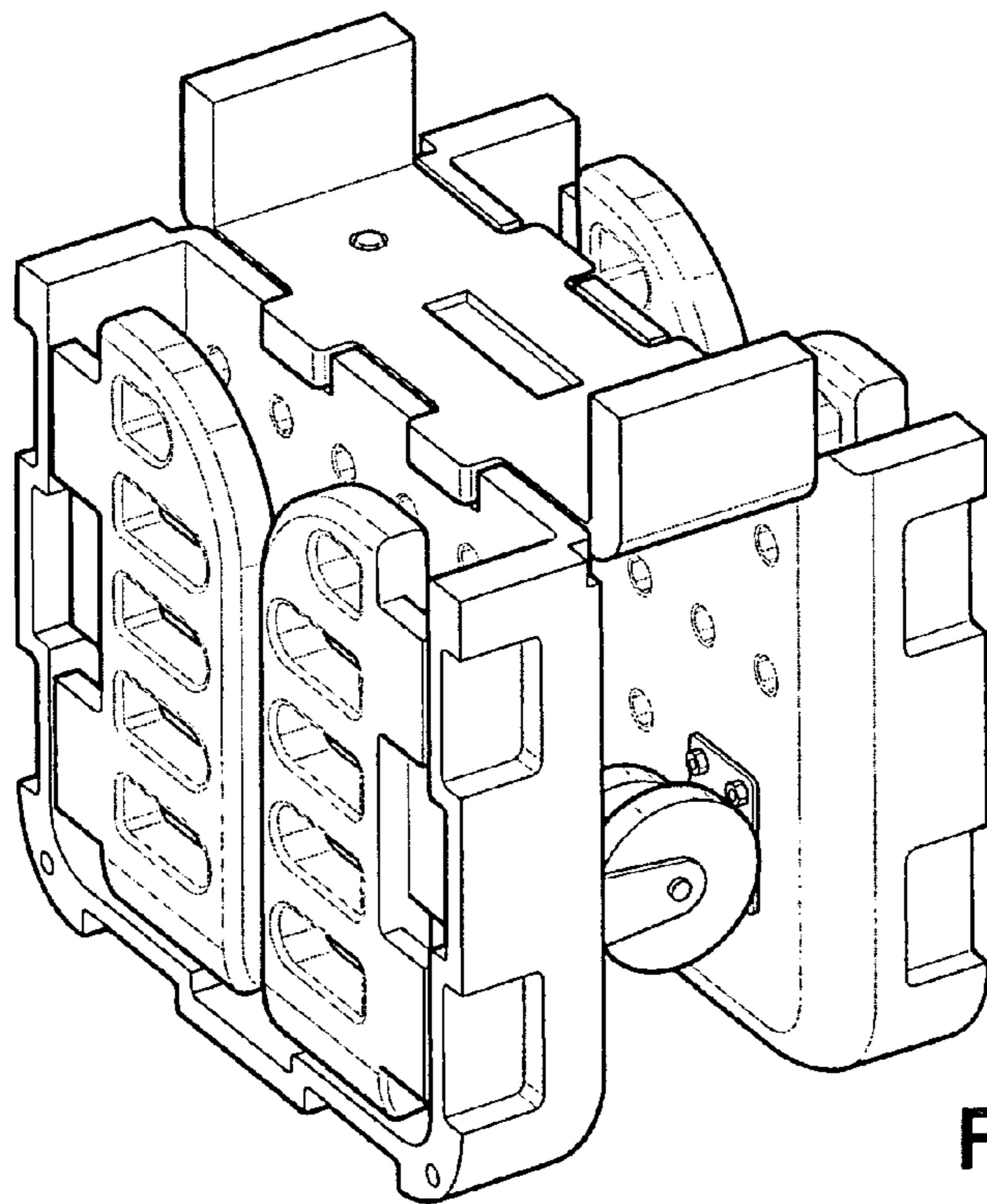


FIG - 10