



US00D570417S

(12) **United States Design Patent**
Poe et al.

(10) **Patent No.:** **US D570,417 S**
(45) **Date of Patent:** **** Jun. 3, 2008**

(54) **GAME APPARATUS**

(75) Inventors: **Scott Poe**, Linton, IN (US); **Fred Mueller**, Orlando, FL (US); **Mark Hammond**, Orlando, FL (US)

(73) Assignee: **Fit Group, Inc.**, Orlando, FL (US)

(**) Term: **14 Years**

(21) Appl. No.: **29/264,453**

(22) Filed: **Aug. 10, 2006**

(51) **LOC (8) Cl.** **21-01**

(52) **U.S. Cl.** **D21/302**

(58) **Field of Classification Search** D21/302-304,
D21/811, 814; 273/343, 348, 406, 407, 331;
D25/38, 42-44

See application file for complete search history.

(56) **References Cited**

U.S. PATENT DOCUMENTS

4,295,648	A *	10/1981	Stromback	473/456
4,719,668	A *	1/1988	Cavanagh	24/68 F
D333,683	S *	3/1993	Trachet	D21/302
5,725,217	A *	3/1998	White	273/407
5,938,203	A *	8/1999	Beckwith, Sr.	273/407

6,308,956	B1 *	10/2001	Reid	273/343
D478,938	S *	8/2003	Vande Hey et al.	D21/302
D478,939	S *	8/2003	McReynolds	D21/302
6,773,014	B2 *	8/2004	Lynch	273/343
7,198,273	B1 *	4/2007	Advocate	273/343
2002/0084588	A1 *	7/2002	Lynch	273/343

* cited by examiner

Primary Examiner—Prabhakar Deshmukh

(74) *Attorney, Agent, or Firm*—Ruden McClosky; Stanley A. Kim

(57) **CLAIM**

The ornamental design for a game apparatus, as shown and described.

DESCRIPTION

FIG. 1 is a perspective view of a game apparatus showing our new design;

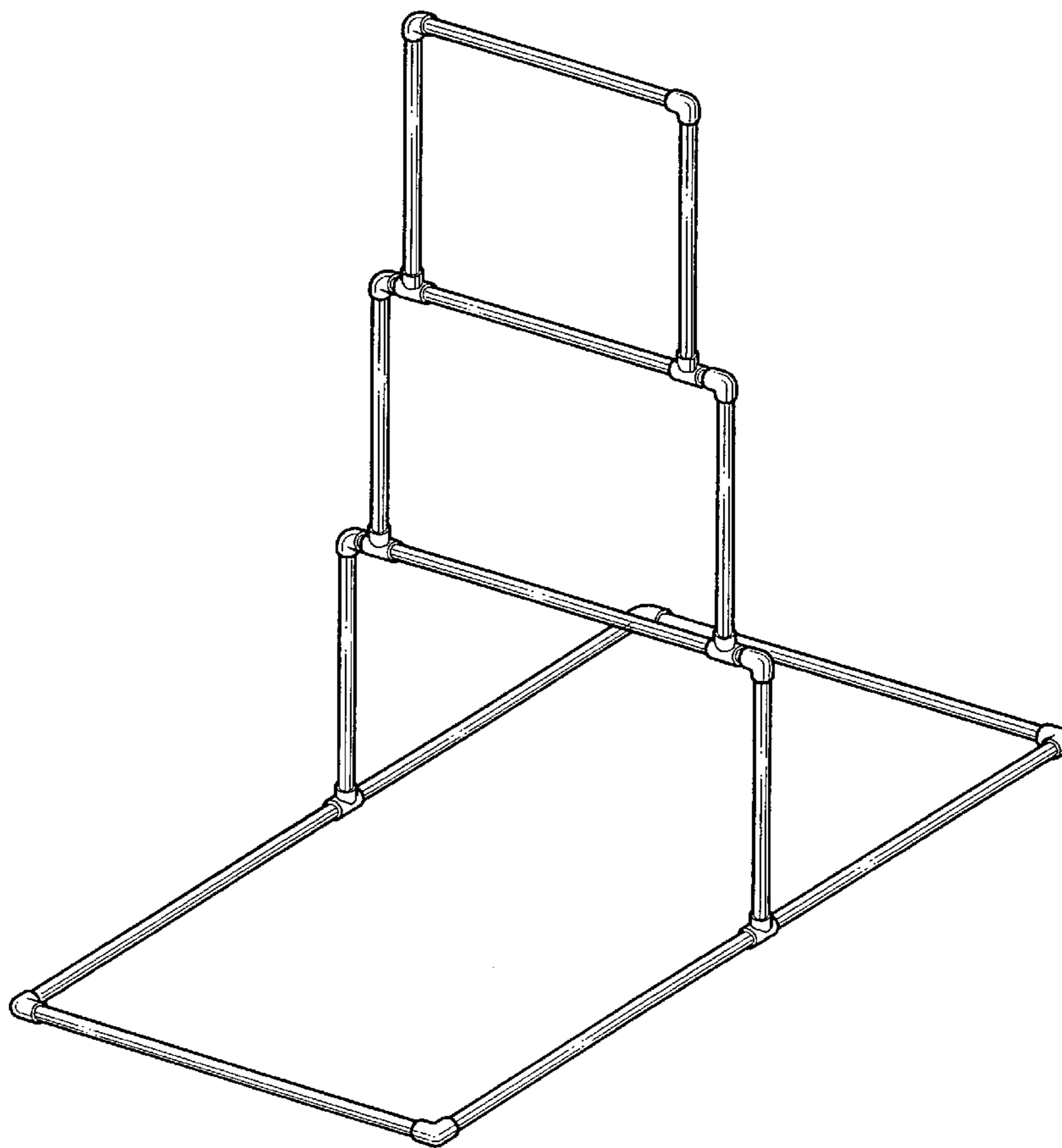
FIG. 2 is a front elevational view thereof;

FIG. 3 is a side elevational view thereof;

FIG. 4 is a top plan view thereof; and,

FIG. 5 a bottom plan view thereof.

1 Claim, 3 Drawing Sheets



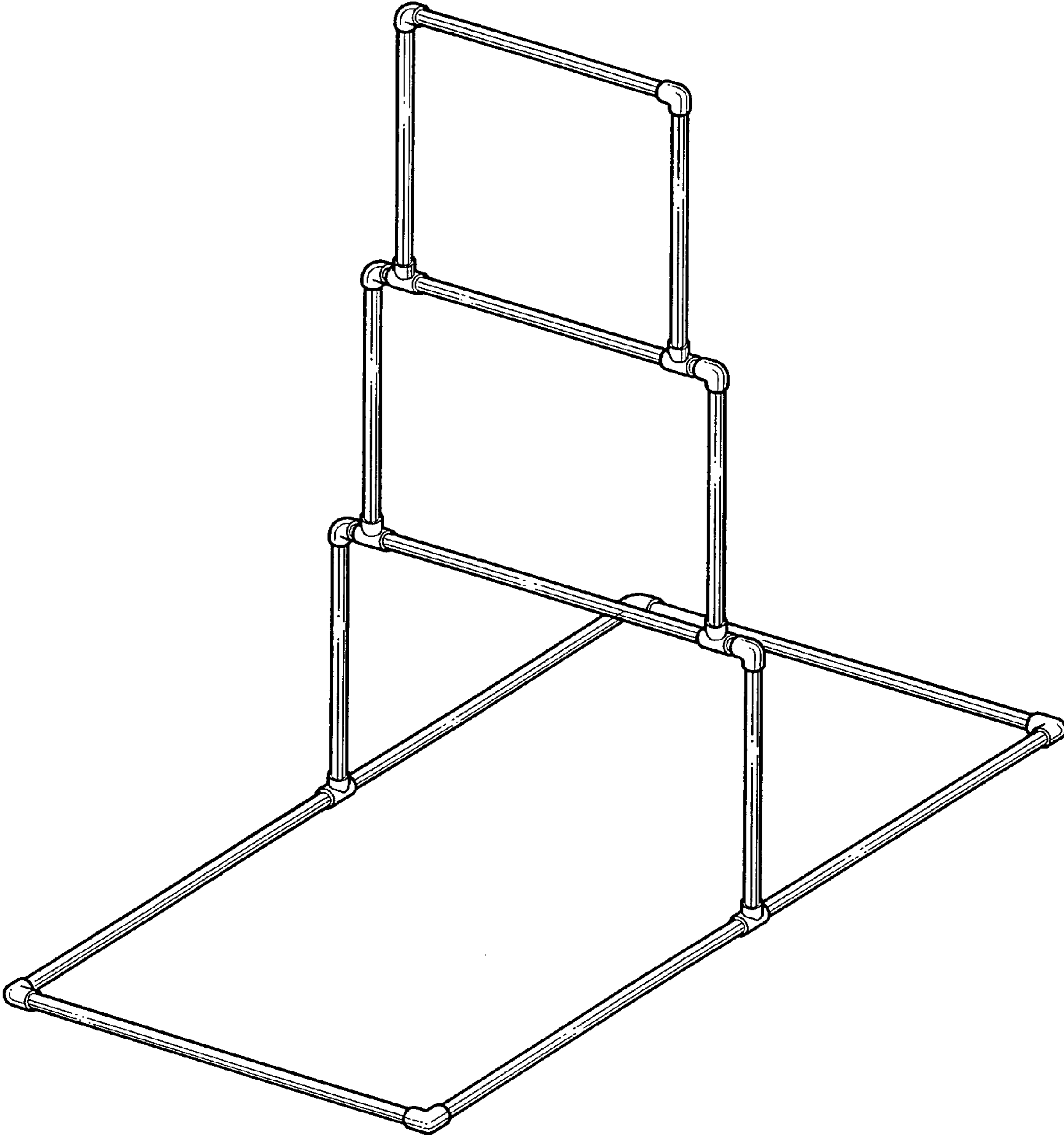


FIG. 1

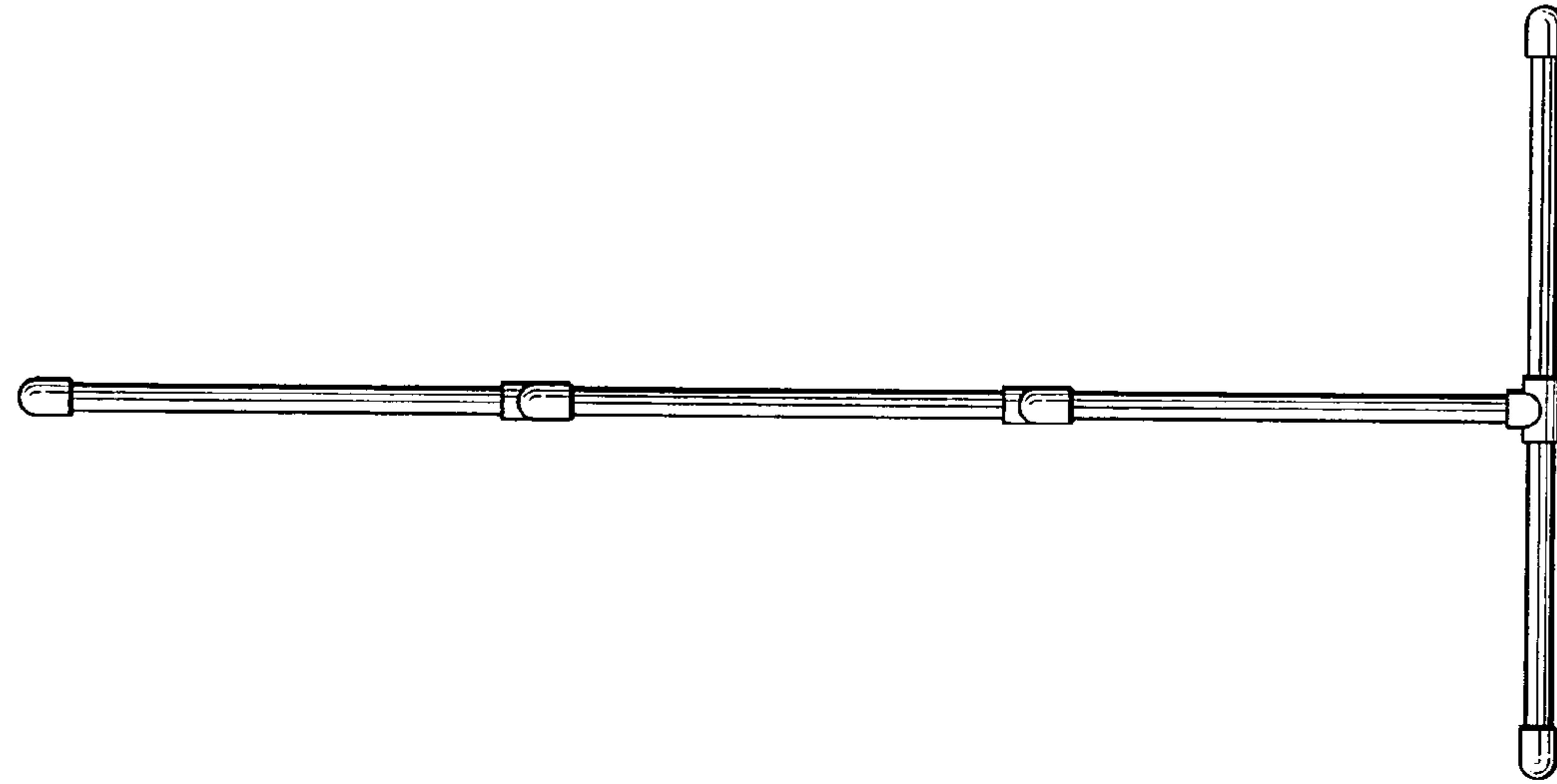


FIG. 3

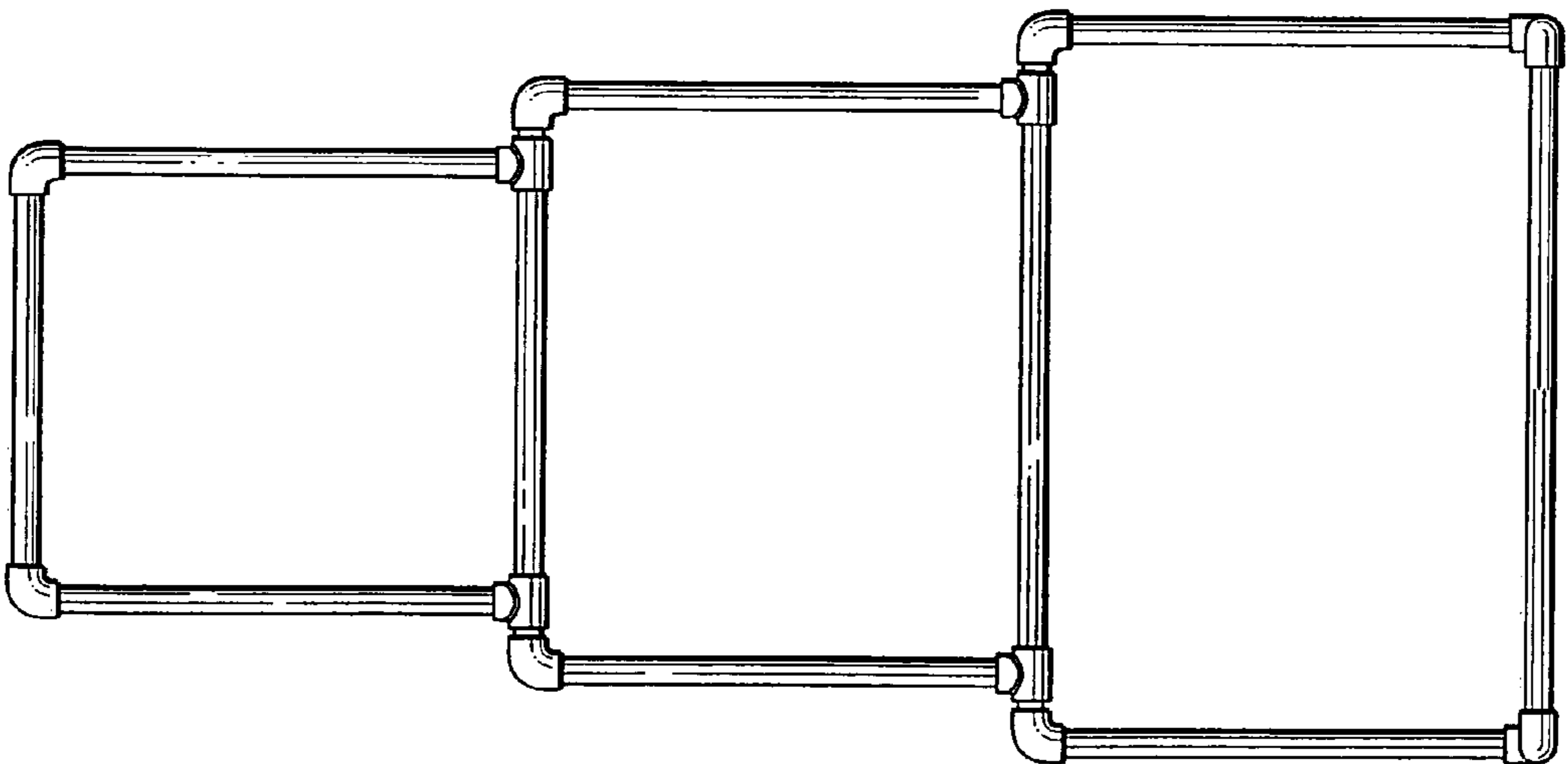


FIG. 2

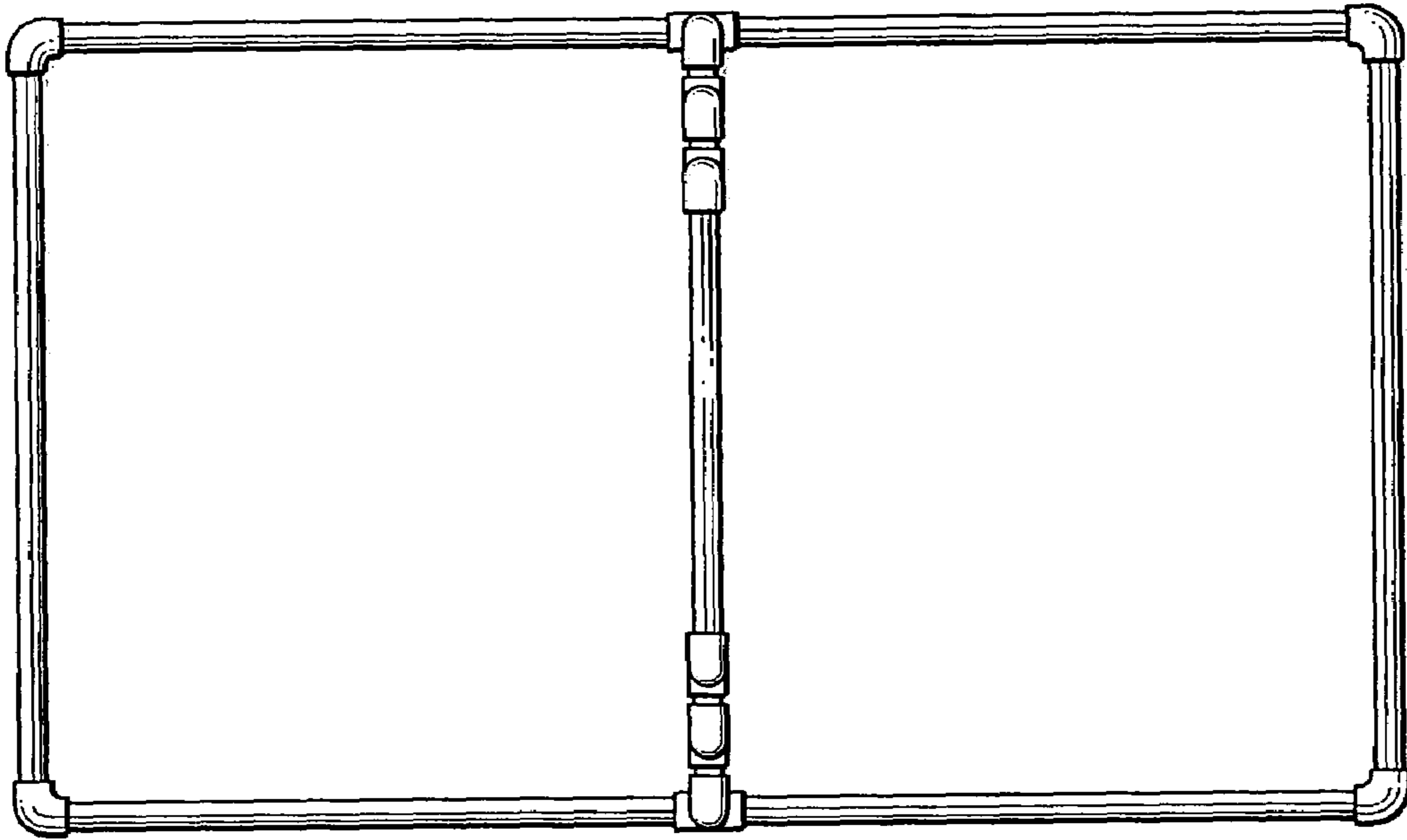


FIG. 4

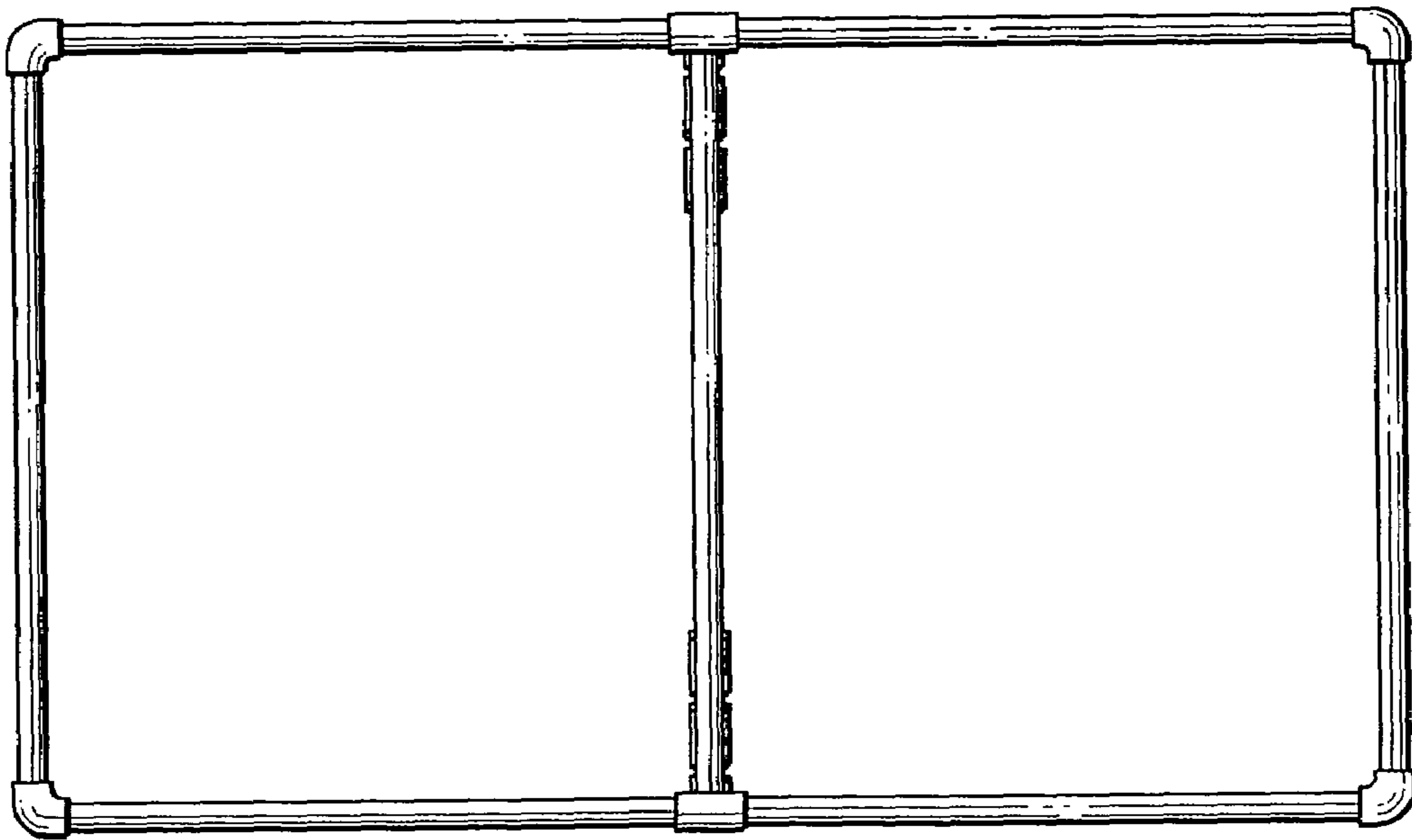


FIG. 5