



US00D570407S

(12) **United States Design Patent**
Korn et al.

(10) **Patent No.:** **US D570,407 S**
(45) **Date of Patent:** **** *Jun. 3, 2008**

(54) **INK STICK FOR A PHASE CHANGE INK
JET PRINTER**

(75) Inventors: **Scott J Korn**, Portland, OR (US);
Brent Rodney Jones, Sherwood, OR
(US)

(73) Assignee: **Xerox Corporation**, Norwalk, CT (US)

(*) Notice: This patent is subject to a terminal dis-
claimer.

(**) Term: **14 Years**

(21) Appl. No.: **29/249,035**

(22) Filed: **Sep. 15, 2006**

(51) **LOC (8) Cl.** **18-02**

(52) **U.S. Cl.** **D18/56; 347/88**

(58) **Field of Classification Search** D18/56;
347/88, 99; 106/31.29, 31.61
See application file for complete search history.

(56) **References Cited**

U.S. PATENT DOCUMENTS

D407,111 S *	3/1999	Brown et al.	D18/56
D407,112 S *	3/1999	Chin et al.	D18/56
6,672,716 B2 *	1/2004	Jones	347/88
6,722,764 B2 *	4/2004	Jones et al.	347/88
6,893,121 B2 *	5/2005	Jones	347/88
D505,973 S *	6/2005	Jones et al.	D18/56

D521,552 S *	5/2006	Jones et al.	D18/56
7,063,412 B2 *	6/2006	Jones et al.	347/88
D530,366 S *	10/2006	Korn et al.	D18/56
D537,116 S *	2/2007	Jones et al.	D18/56
2003/0222951 A1 *	12/2003	Jones	347/84
2006/0279616 A1 *	12/2006	Buehler et al.	347/88

* cited by examiner

Primary Examiner—Cathy Anne MacCormac
(74) *Attorney, Agent, or Firm*—Tallam I Nguti

(57) **CLAIM**

The ornamental design for an ink stick for a phase change ink jet printer, as shown.

DESCRIPTION

FIG. 1 is a perspective view of an ink stick for a phase change ink jet printer illustrating the new design;

FIG. 2 is a front elevational view thereof;

FIG. 3 is a right side elevational view thereof;

FIG. 4 is a rear elevational view thereof;

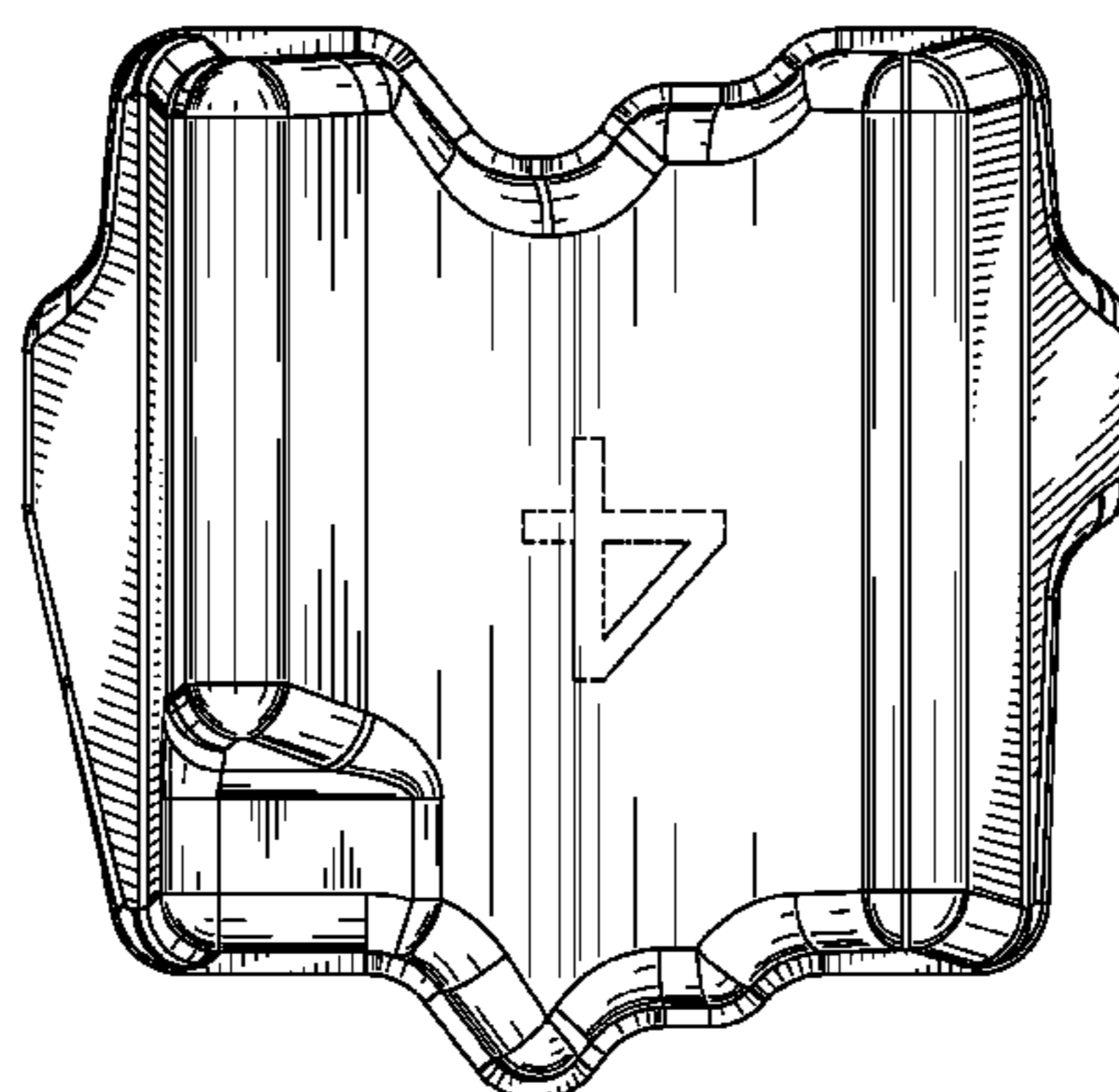
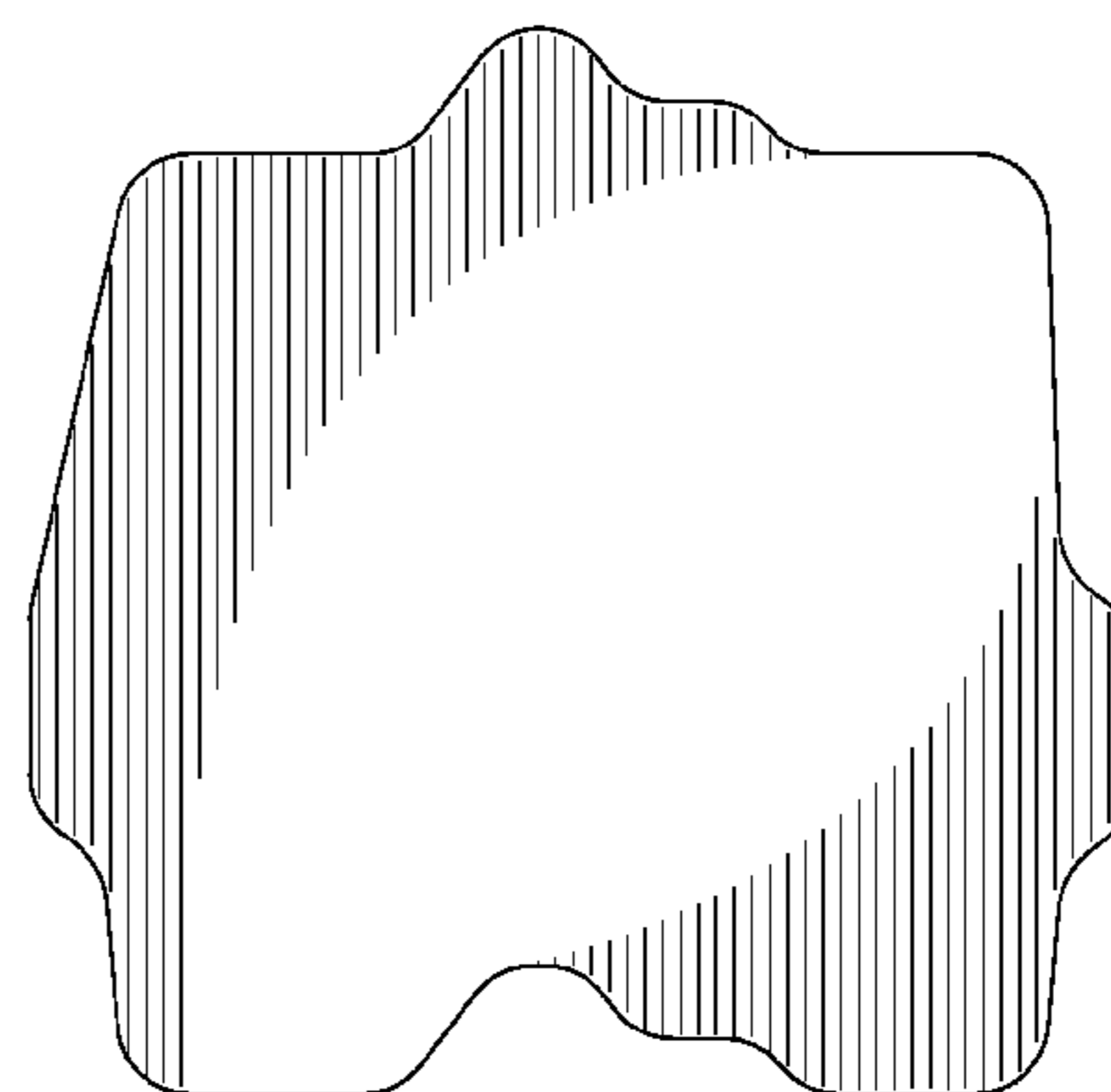
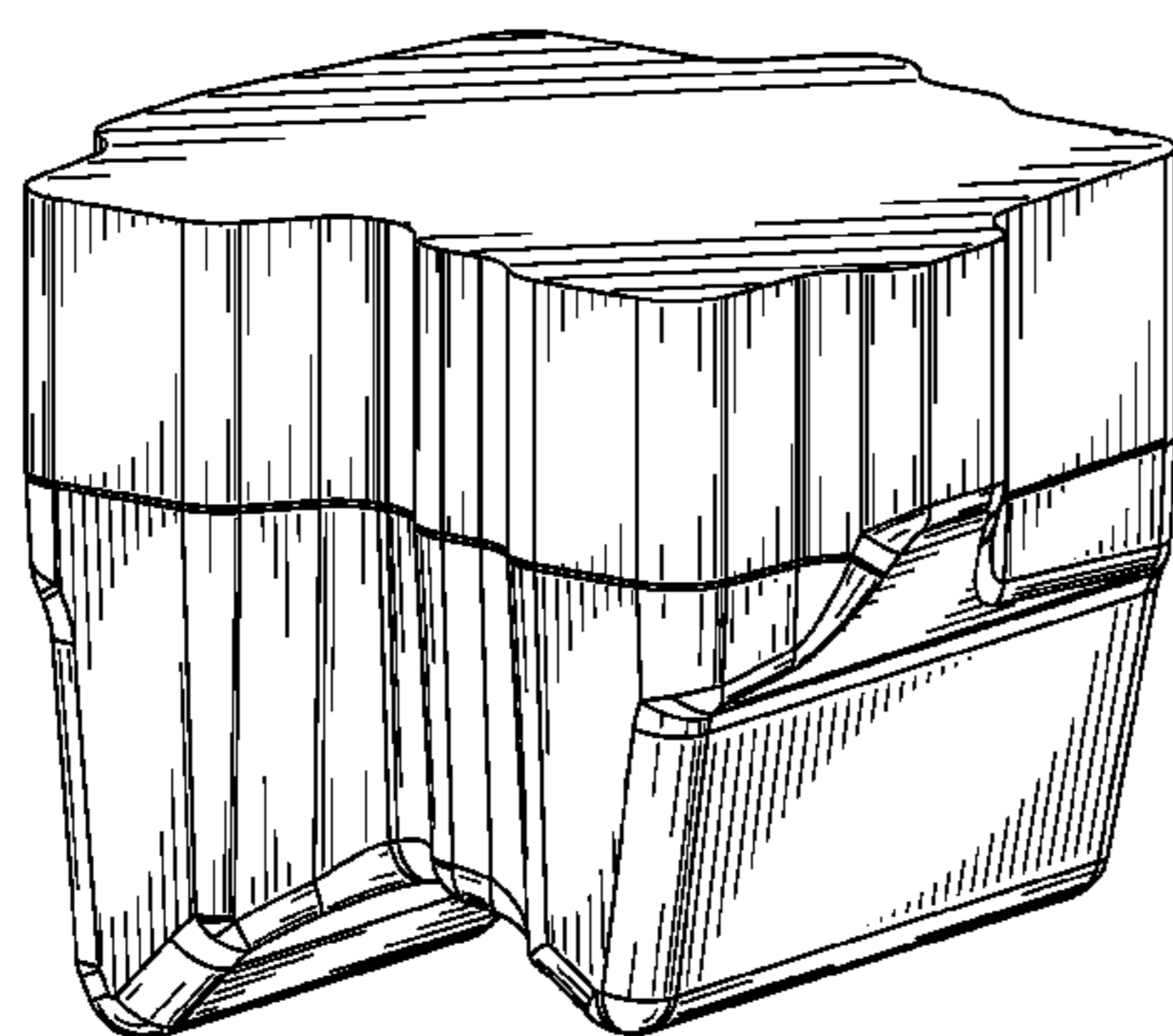
FIG. 5 is a left side elevational view thereof;

FIG. 6 is a top plan view thereof; and,

FIG. 7 is a bottom plan view thereof.

The broken lines are for illustration only and form no part of the claimed design.

1 Claim, 7 Drawing Sheets



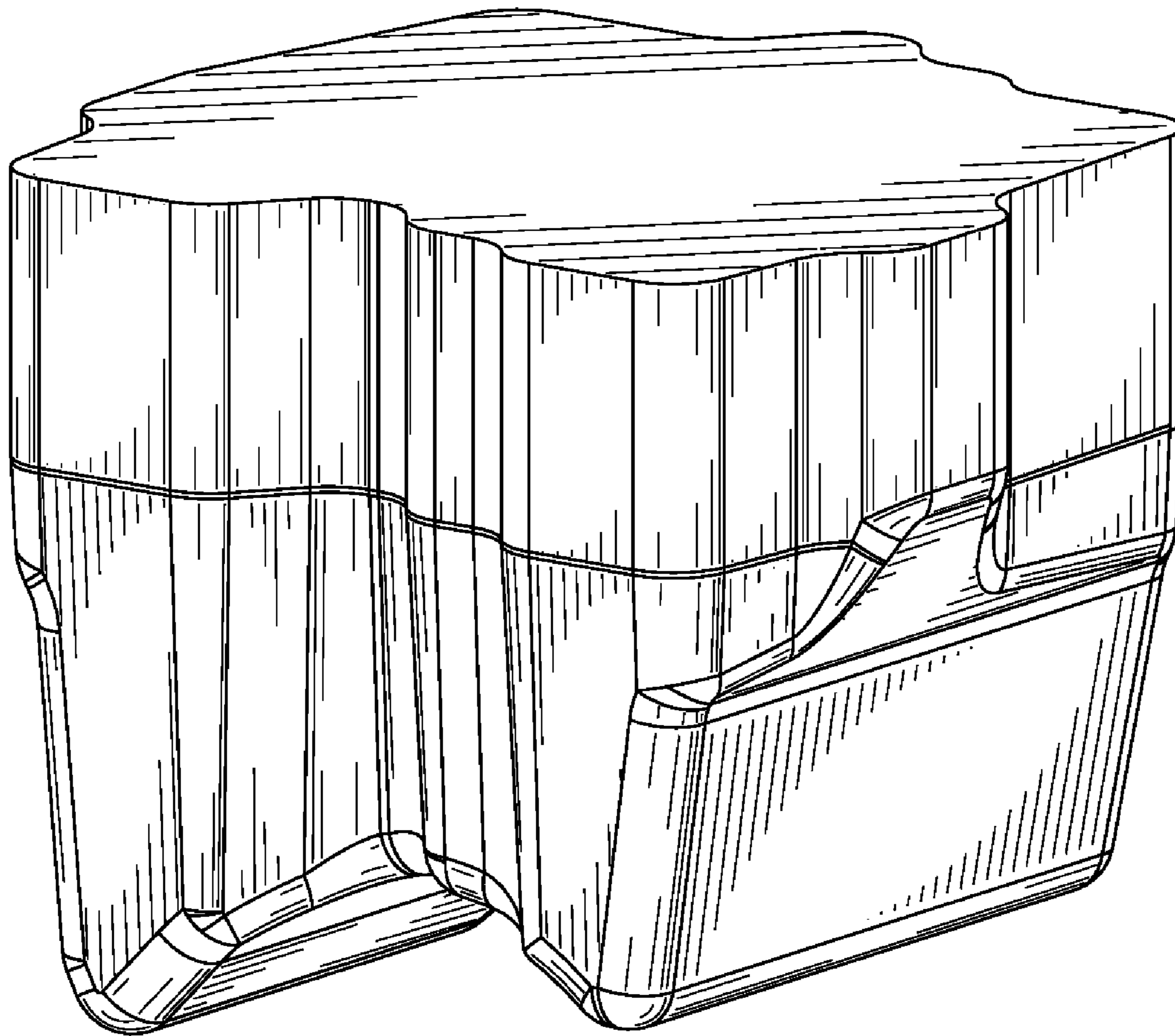


FIG. 1

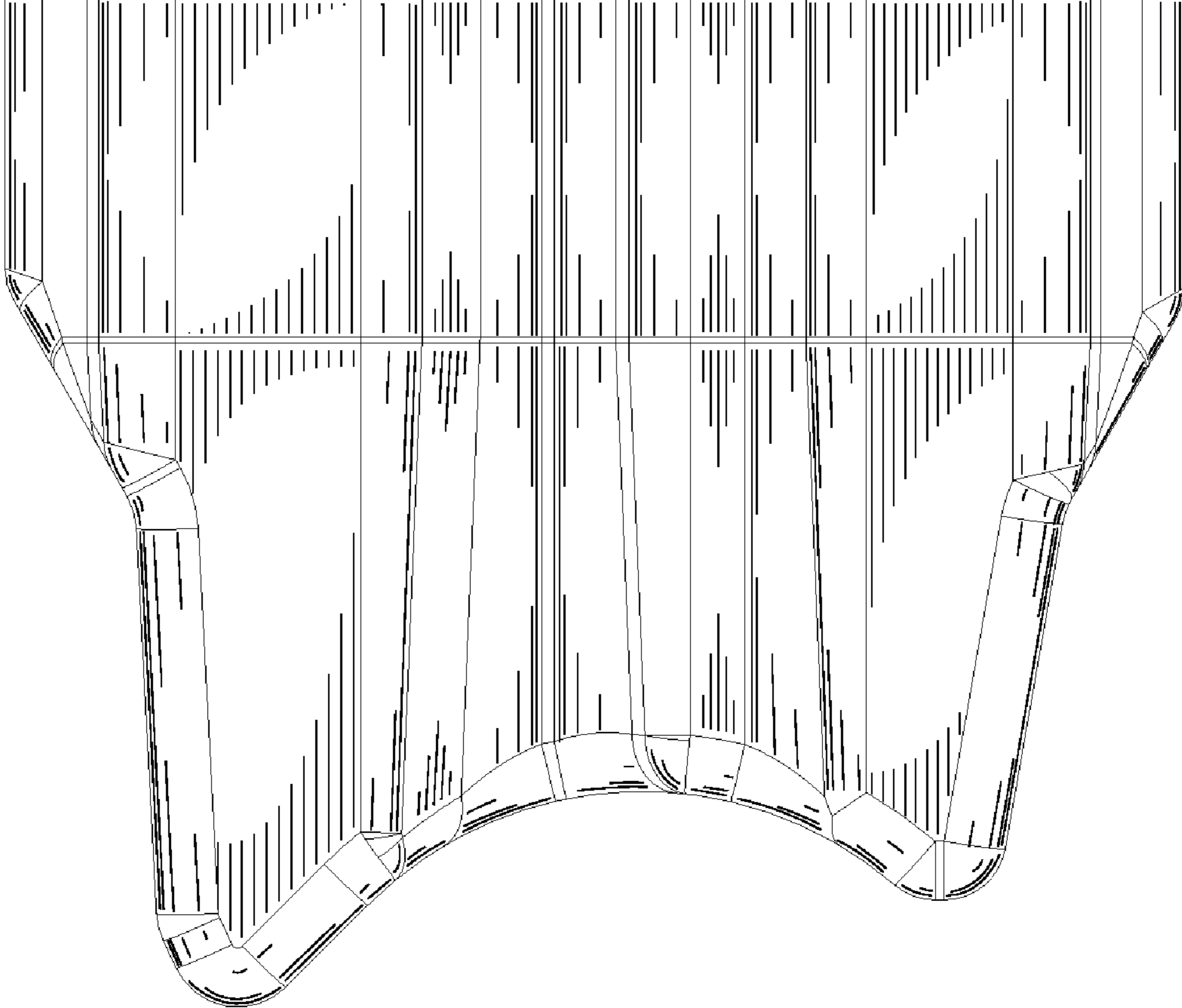


FIG. 2

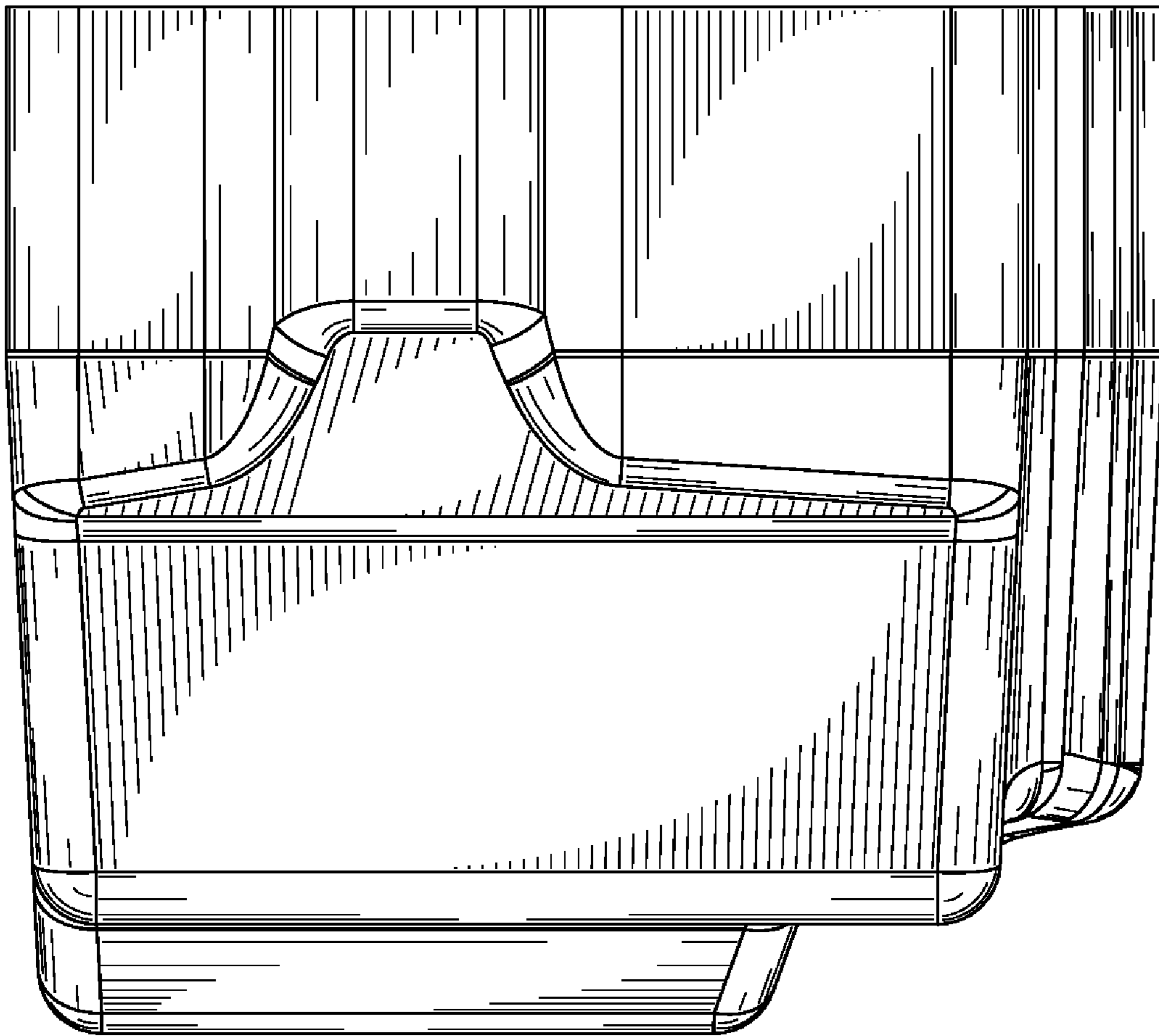


FIG. 3

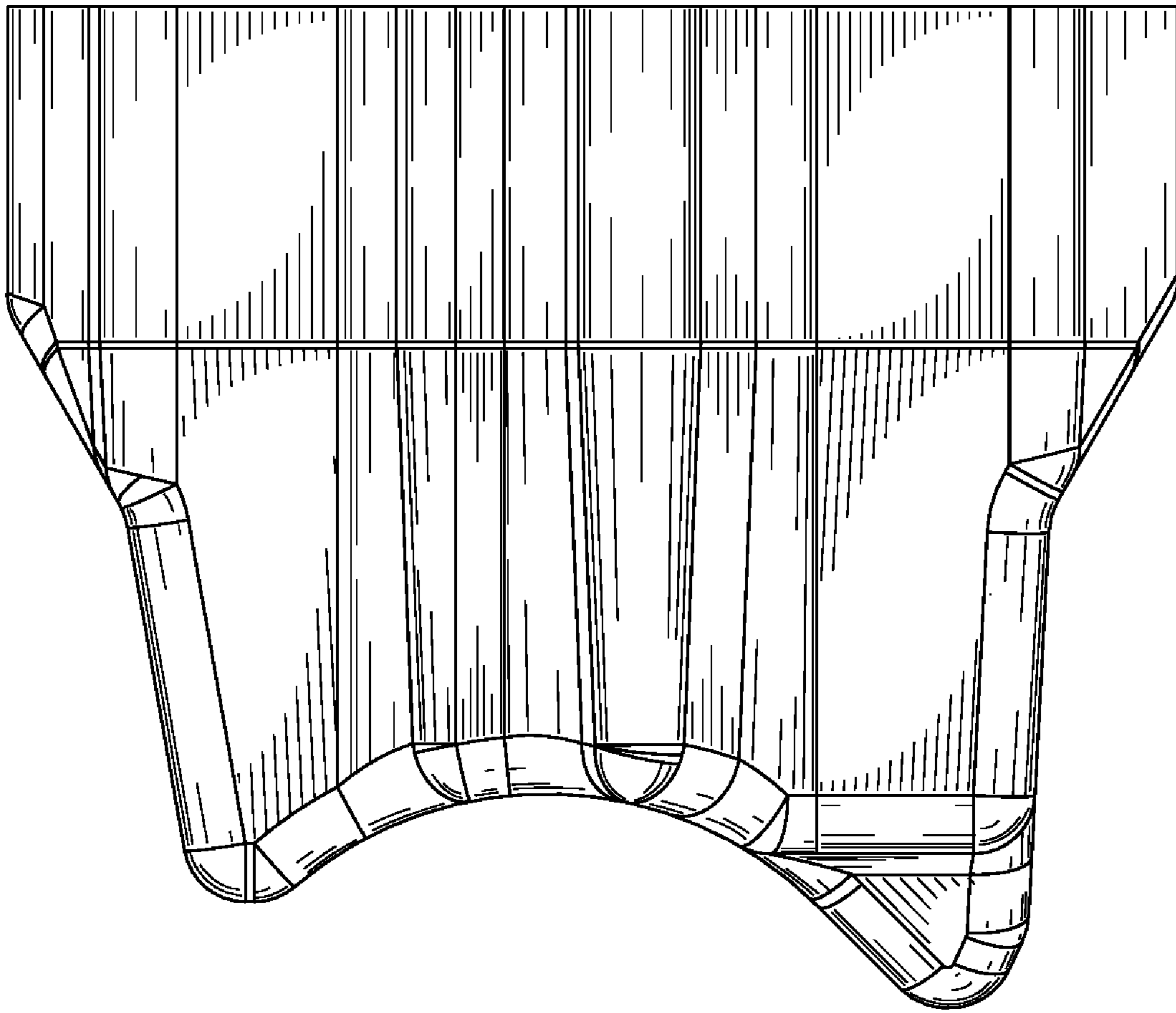


FIG. 4

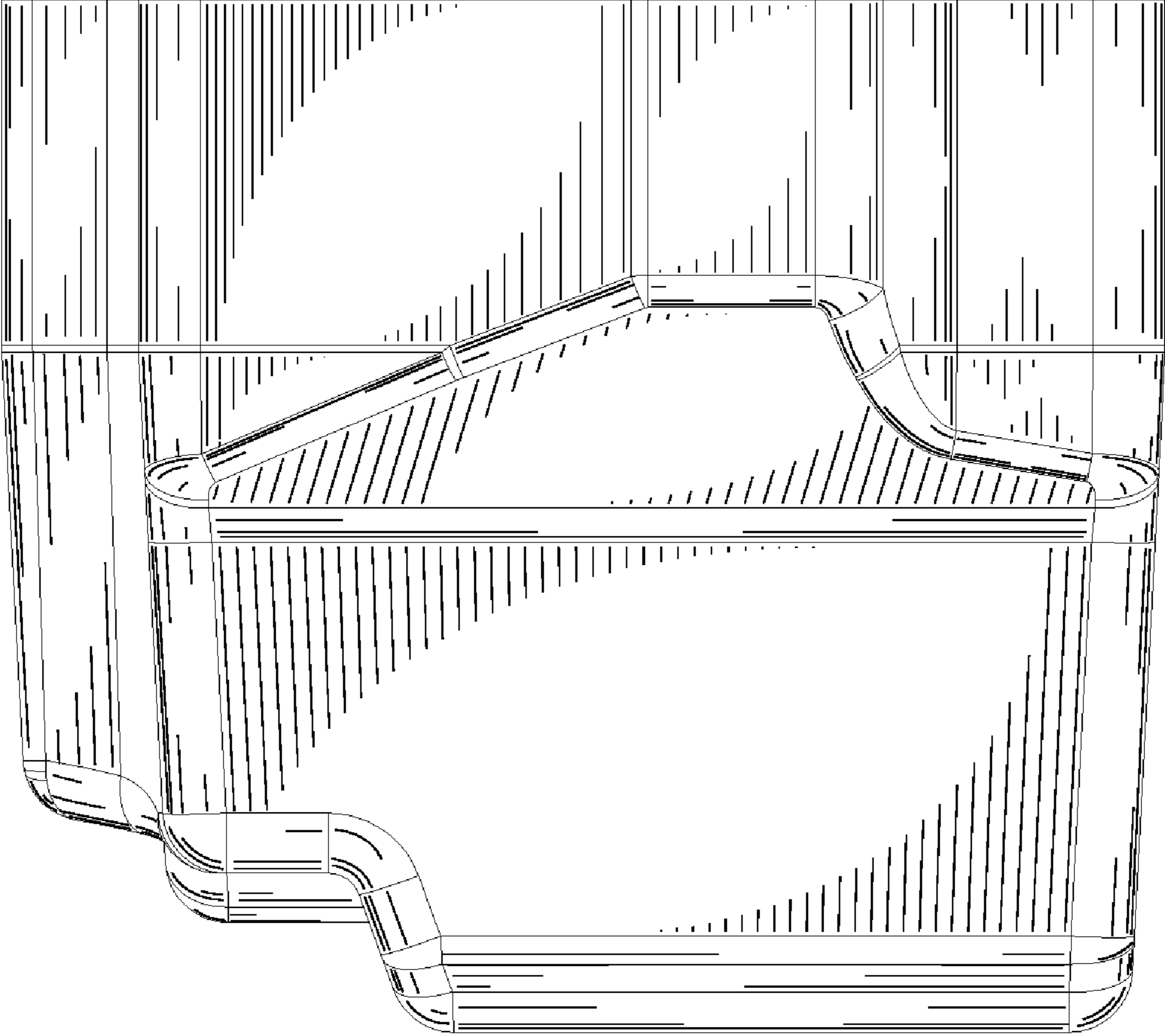


FIG. 5

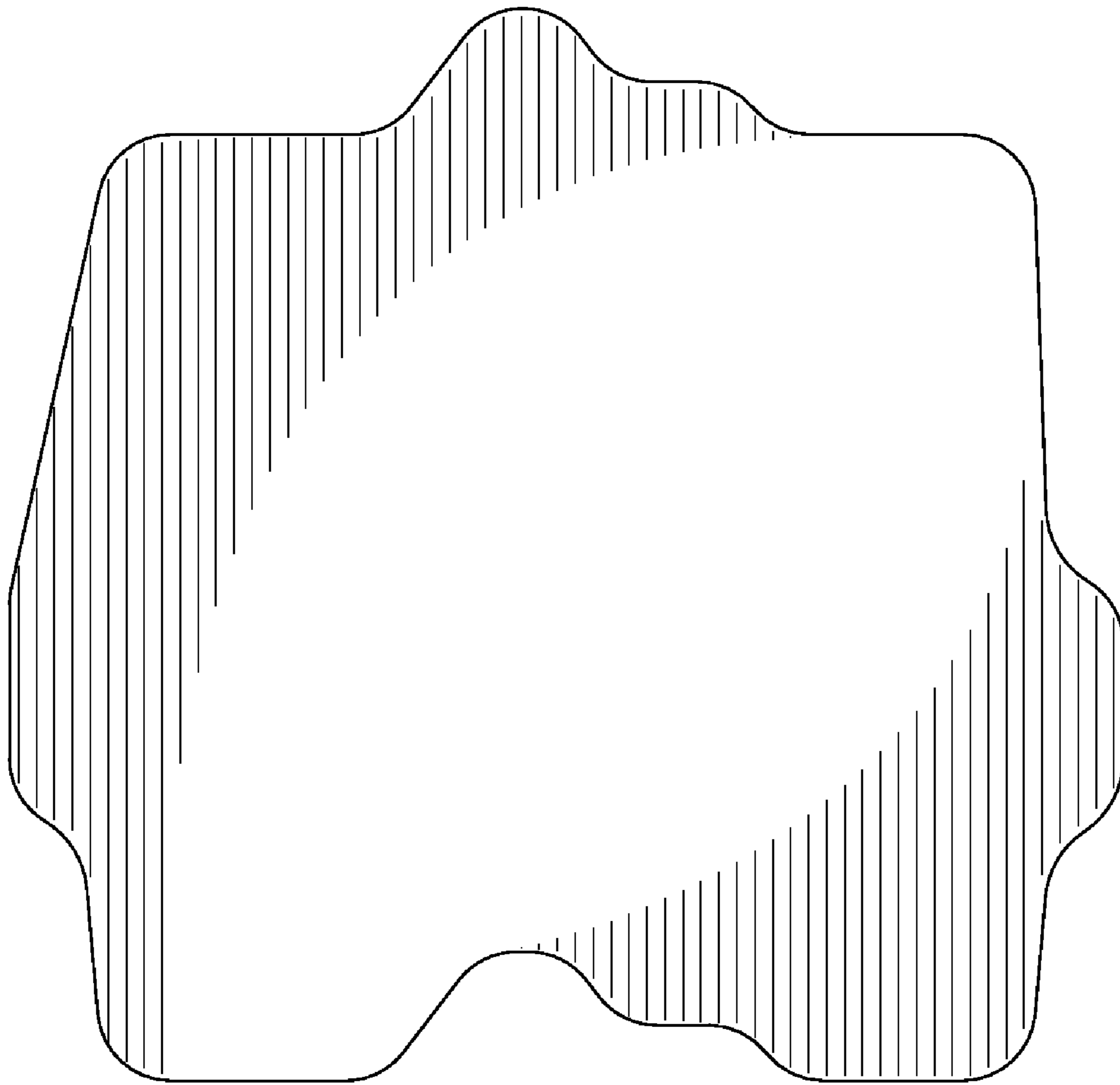


FIG. 6

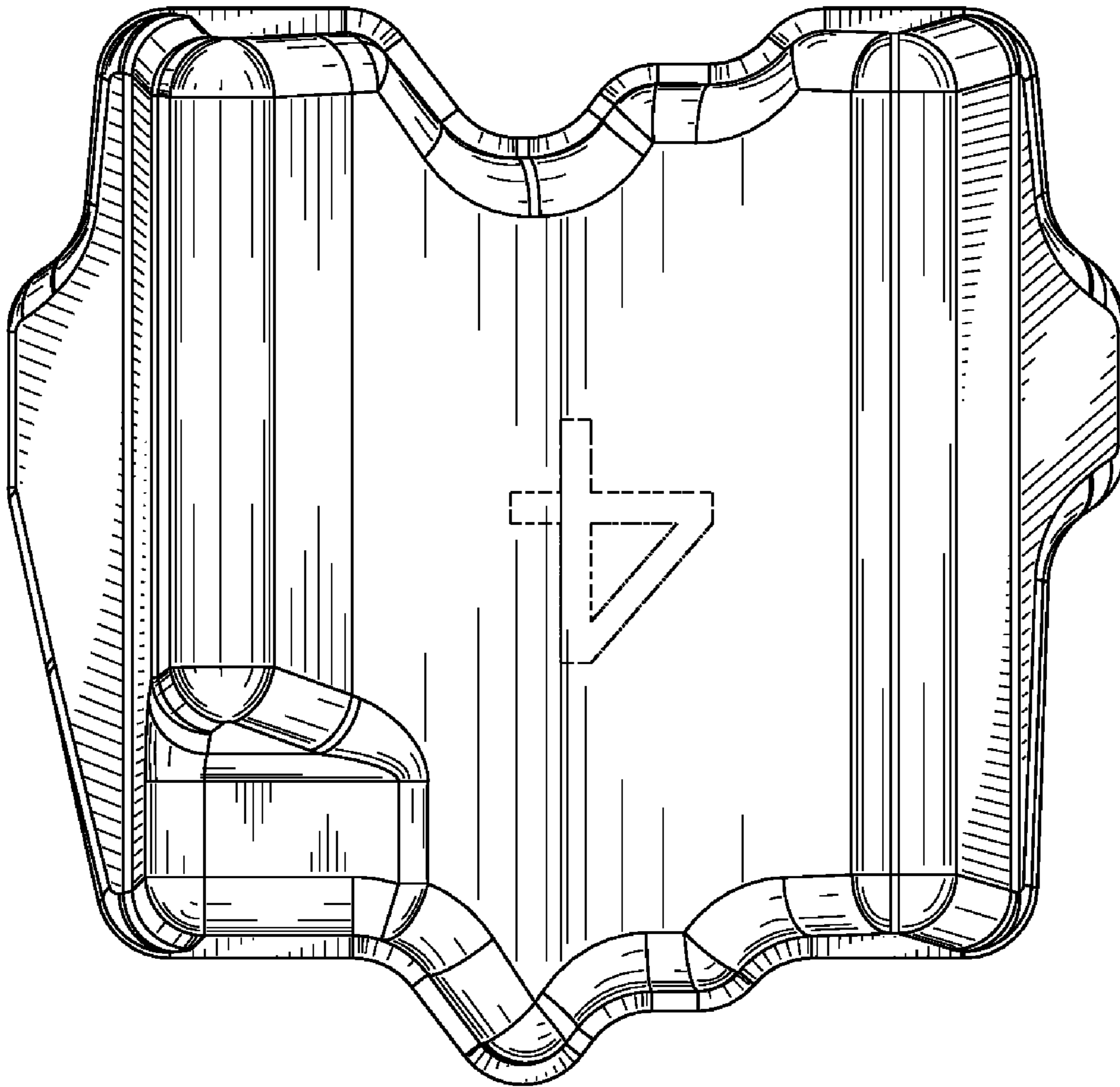


FIG. 7