



US00D570405S

(12) **United States Design Patent**  
**Otsuka et al.**

(10) **Patent No.:** **US D570,405 S**  
(45) **Date of Patent:** **\*\* Jun. 3, 2008**

(54) **INK BAG**

(75) Inventors: **Nobutoshi Otsuka**, Nagano-ken (JP);  
**Seiji Mochizuki**, Nagano-ken (JP)

(73) Assignee: **Seiko Epson Corporation**, Tokyo (JP)

(\*\*) Term: **14 Years**

(21) Appl. No.: **29/240,868**

(22) Filed: **Oct. 20, 2005**

(30) **Foreign Application Priority Data**

Sep. 8, 2005 (JP) ..... 2005-025968  
Sep. 8, 2005 (JP) ..... 2005-025969

(51) **LOC (8) Cl.** ..... **18-02**

(52) **U.S. Cl.** ..... **D18/56; 347/86**

(58) **Field of Classification Search** ..... D18/12,  
D18/40, 43, 56; D14/481, 483; 347/29, 33,  
347/49-50, 86-87, 178, 214; 399/25, 110;  
D9/702, 707-708

See application file for complete search history.

(56) **References Cited**

**U.S. PATENT DOCUMENTS**

3,065,898 A 11/1962 Daugherty  
D341,157 S \* 11/1993 Kitahara et al. .... D18/56  
5,691,755 A \* 11/1997 Pawlowski et al. .... 347/86

6,220,702 B1 \* 4/2001 Nakamura et al. .... 347/86  
D451,542 S \* 12/2001 Ishizawa et al. .... D18/56  
6,973,409 B1 \* 12/2005 Shimizu et al. .... 347/86  
D513,417 S \* 1/2006 Ishizawa et al. .... D18/56  
D523,899 S \* 6/2006 Holland et al. .... D18/56  
2004/0075720 A1 \* 4/2004 Hsu et al. .... 347/87  
2005/0057625 A1 \* 3/2005 Ishizawa et al. .... 347/86  
2005/0243149 A1 \* 11/2005 Matsumoto ..... 347/86  
2006/0038865 A1 \* 2/2006 Nagasaki et al. .... 347/86

\* cited by examiner

*Primary Examiner*—Cathy Anne MacCormac  
(74) *Attorney, Agent, or Firm*—Harness, Dickey & Pierce,  
P.L.C.

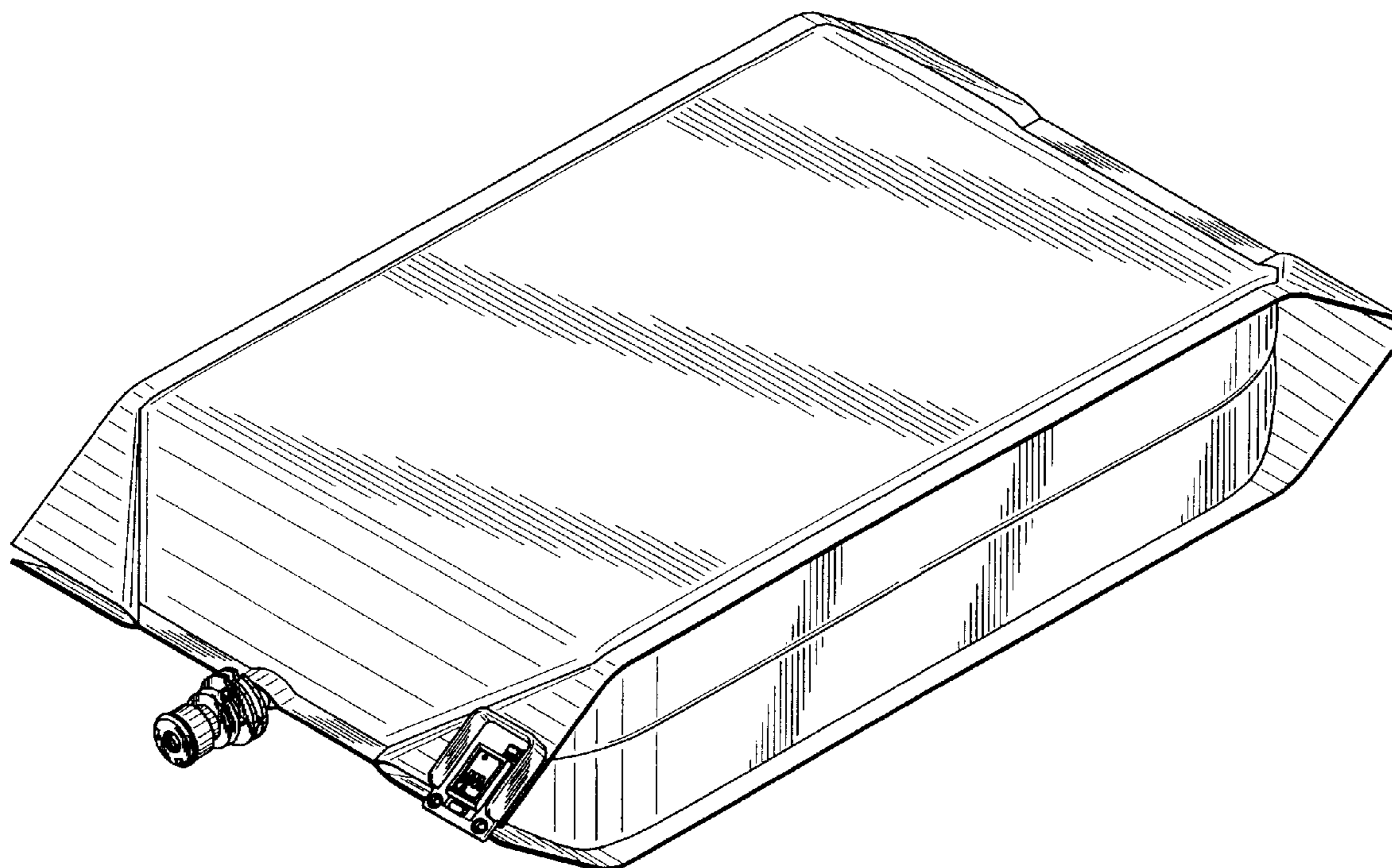
(57) **CLAIM**

The ornamental design for an ink bag, as shown and described.

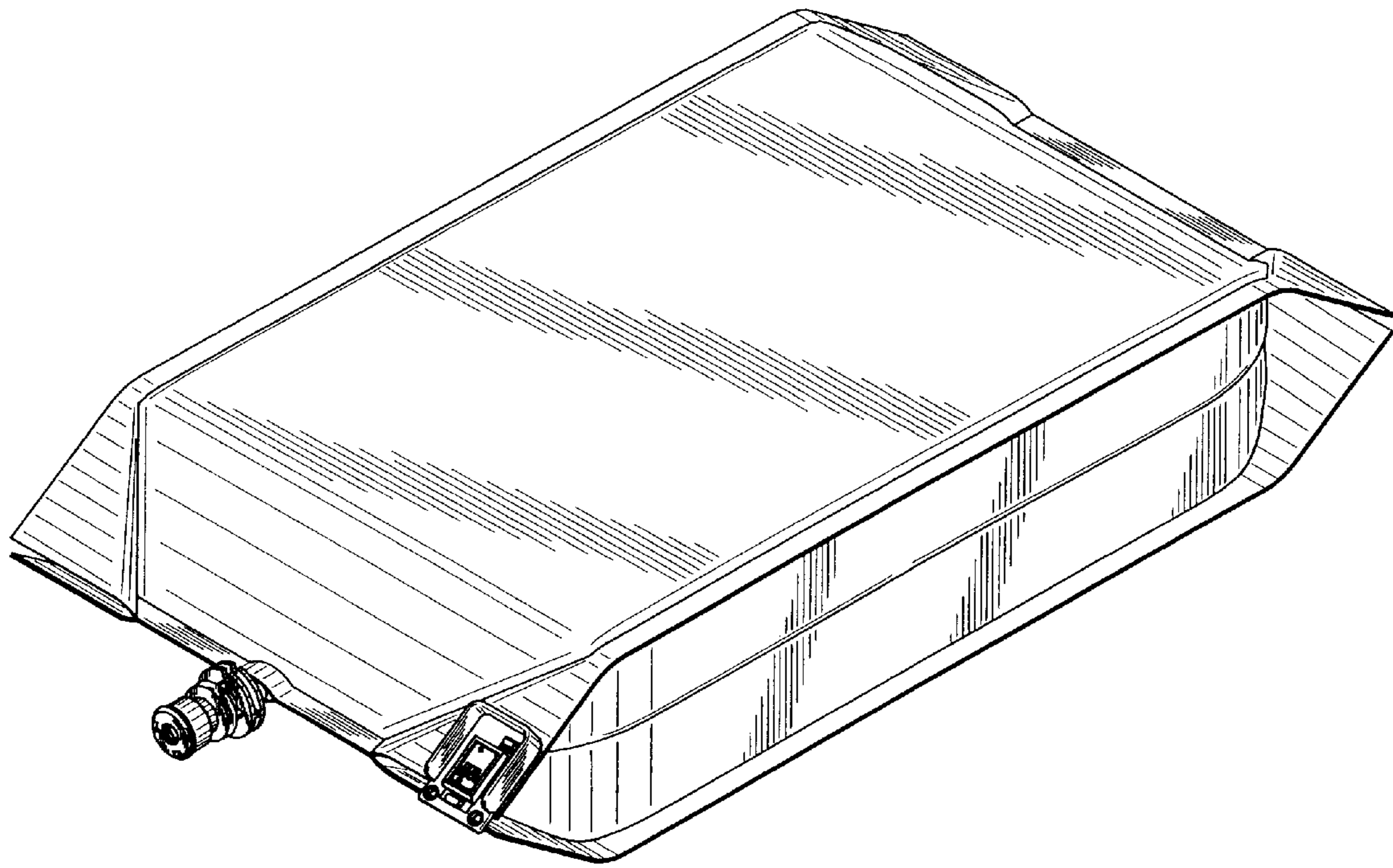
**DESCRIPTION**

FIG. 1 is a front perspective view of an ink bag showing our new design;  
FIG. 2 is a front view thereof;  
FIG. 3 is a rear view thereof;  
FIG. 4 is a top plan view thereof;  
FIG. 5 is a bottom plan view thereof;  
FIG. 6 is a right side elevational view thereof; and,  
FIG. 7 is a left side elevational view thereof.

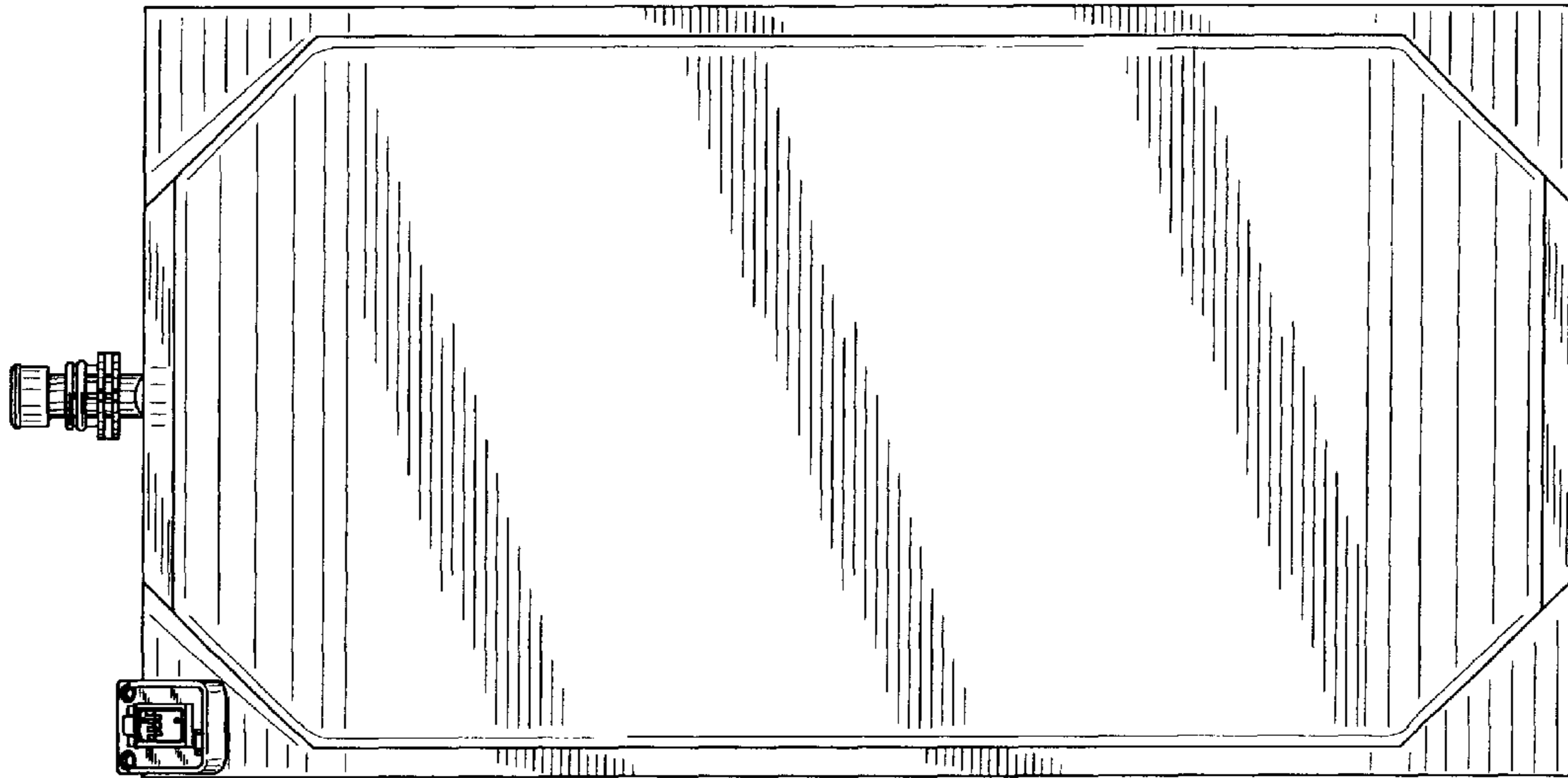
**1 Claim, 4 Drawing Sheets**



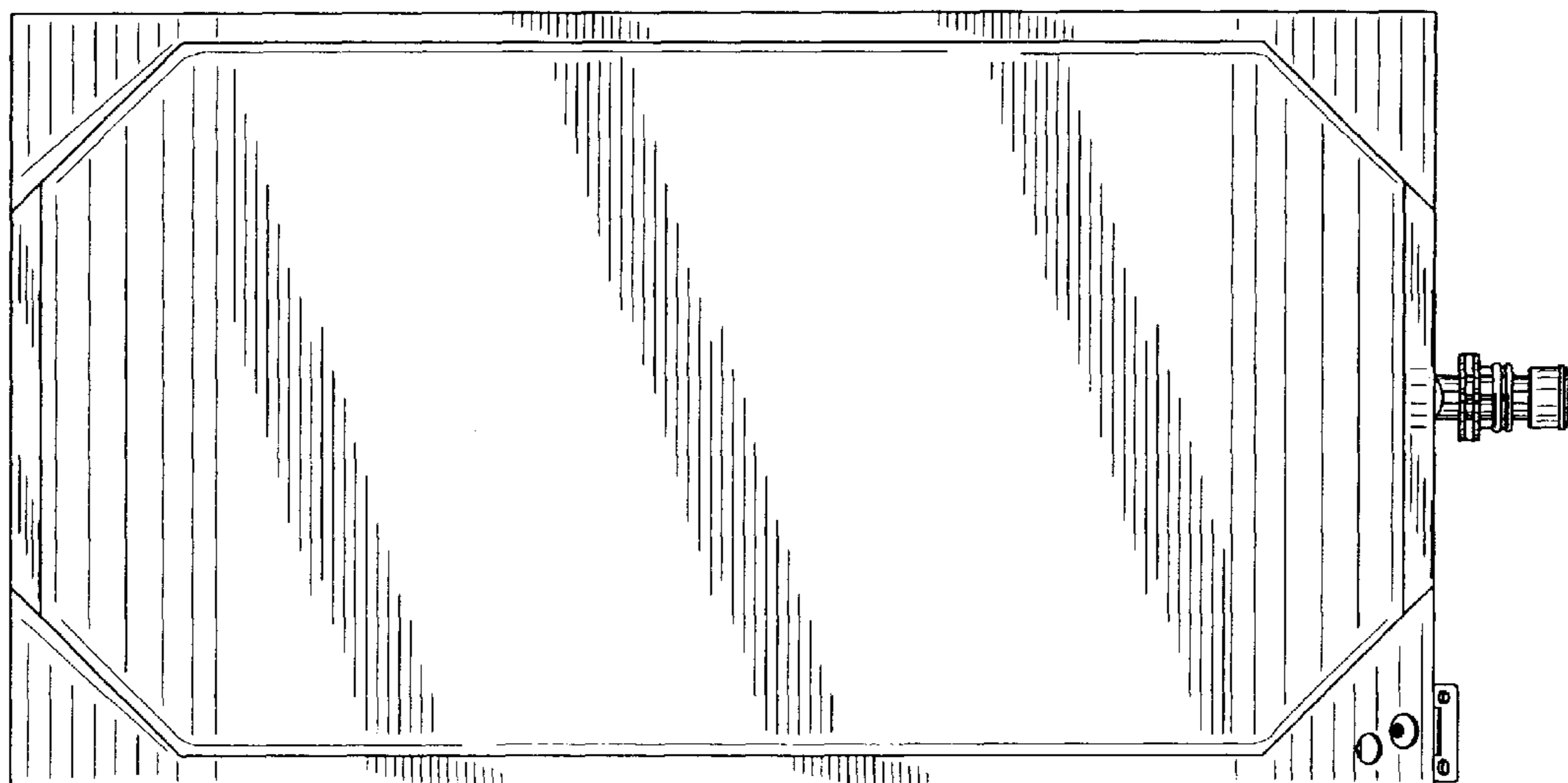
*FIG. 1*



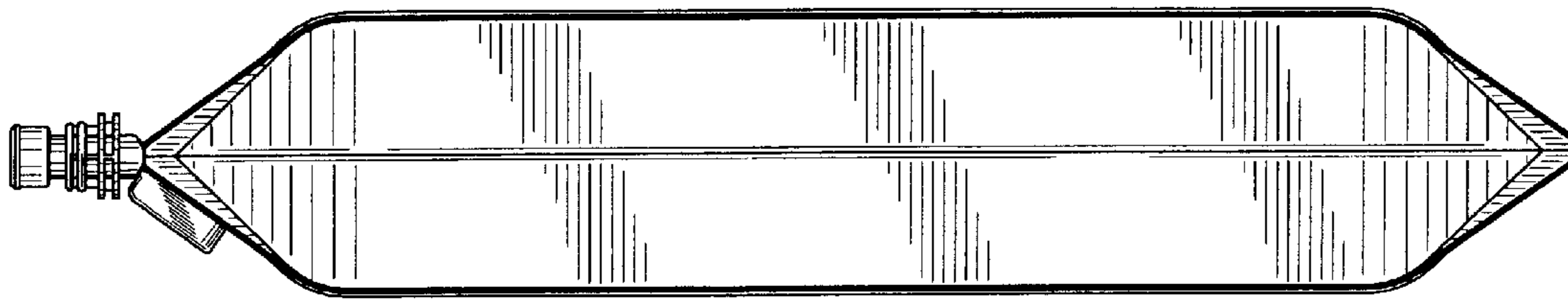
*FIG. 2*



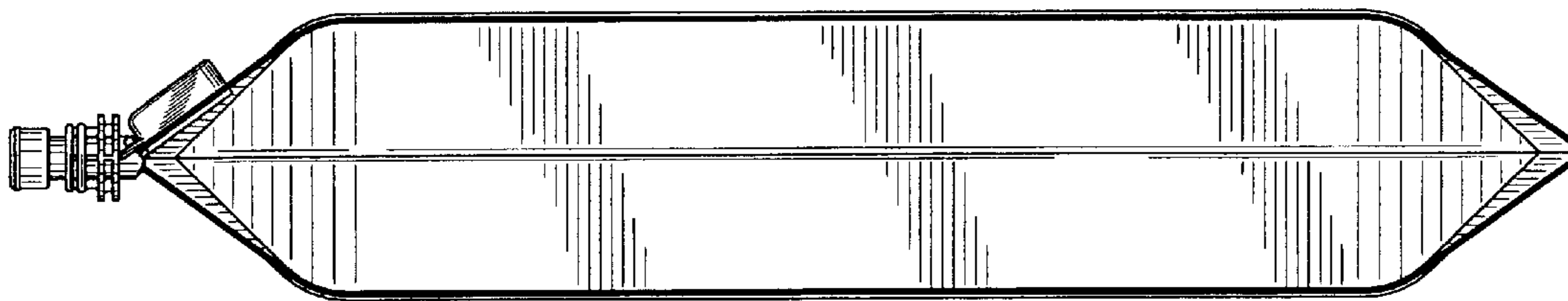
*FIG. 3*



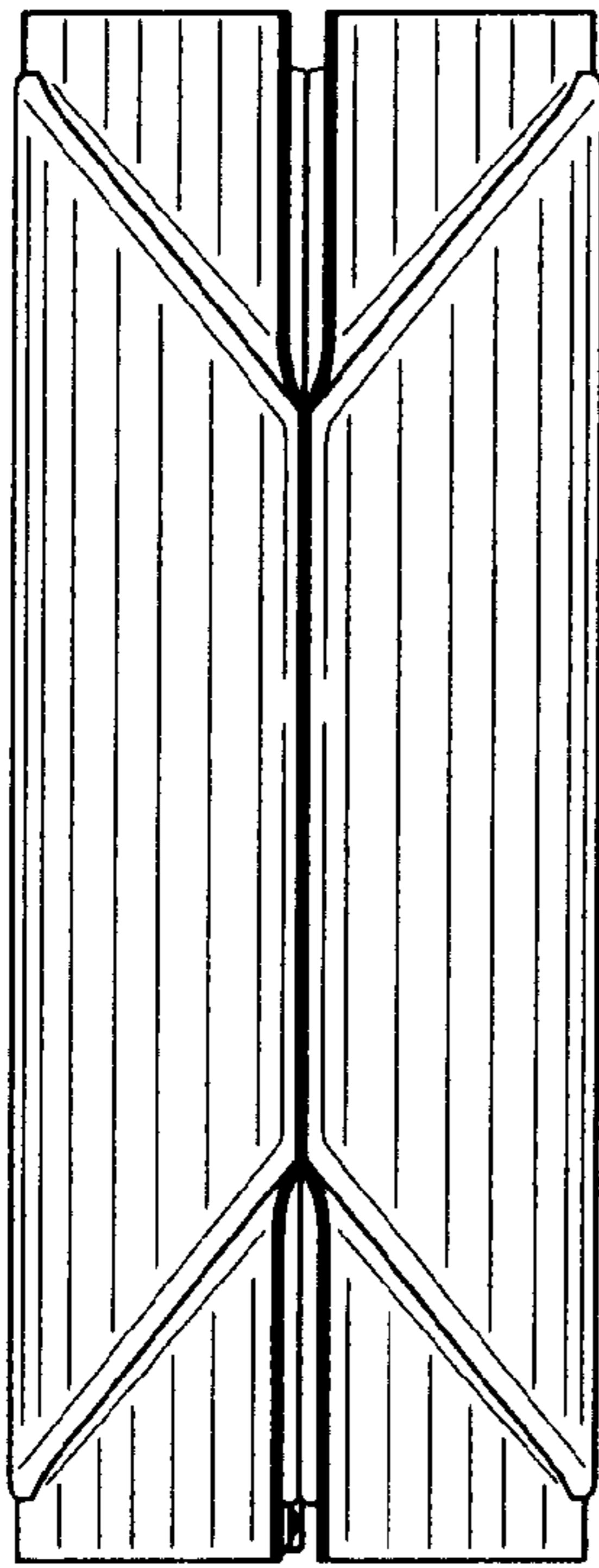
*FIG. 4*



*FIG. 5*



*FIG. 6*



*FIG. 7*

