

US00D570404S

(12) **United States Design Patent**  
**Gant et al.**

(10) **Patent No.:** **US D570,404 S**  
(45) **Date of Patent:** **\*\* Jun. 3, 2008**

(54) **PRINTER**

(75) Inventors: **Scott R. Gant**, San Diego, CA (US);  
**Paul E. Bradley**, Redwood City, CA  
(US); **Michael D. Derocher**, North  
Albany, OR (US); **Daniel R. Dwyer**,  
Battleground, WA (US); **Gregory D. L.**  
**Germe**, San Francisco, CA (US); **Ralf**  
**Groene**, Menlo Park, CA (US); **John**  
**W. Lai**, San Bruno, CA (US); **Jan**  
**Raken**, San Francisco, CA (US); **Maria**  
**del Carmen Tate**, Santee, CA (US)

(73) Assignee: **Hewlett-Packard Development**  
**Company, L.P.**, Houston, TX (US)

(\*\*) Term: **14 Years**

(21) Appl. No.: **29/241,748**

(22) Filed: **Oct. 31, 2005**

(51) **LOC (8) Cl.** ..... **18-02**

(52) **U.S. Cl.** ..... **D18/55**

(58) **Field of Classification Search** ..... D18/56,  
D18/55, 50, 4.3, 12.3, 36-41, 43, 44, 46-49,  
D18/14, 18, 21, 51, 54, 54.1, 58, 34.1, 34.9,  
D18/35, 35.1, 99; D16/246-248; D14/420-425,  
D14/462-470; 399/107

See application file for complete search history.

(56) **References Cited**

U.S. PATENT DOCUMENTS

D339,825 S \* 9/1993 Hwang ..... D19/90

D367,872 S \* 3/1996 Whitby et al. .... D16/247  
D379,368 S \* 5/1997 Harden ..... D18/15  
D386,855 S \* 11/1997 Koptis ..... D32/45  
D401,236 S \* 11/1998 Fong ..... D14/168  
D470,520 S \* 2/2003 Yamakawa et al. .... D16/203  
D471,455 S \* 3/2003 Laveault et al. .... D9/443  
D484,804 S \* 1/2004 Pouillot et al. .... D9/523  
D521,060 S \* 5/2006 Katayama ..... D18/55  
2004/0188925 A1 \* 9/2004 Schuller et al. .... 271/207

\* cited by examiner

*Primary Examiner*—Robert M. Spear  
*Assistant Examiner*—Anna K Dworzecka

(57) **CLAIM**

We claim the ornamental design for a printer, as shown and described.

**DESCRIPTION**

FIG. 1 is a top perspective view of a printer showing our new design;

FIG. 2 is a left end elevational view thereof;

FIG. 3 is a right end elevational view thereof;

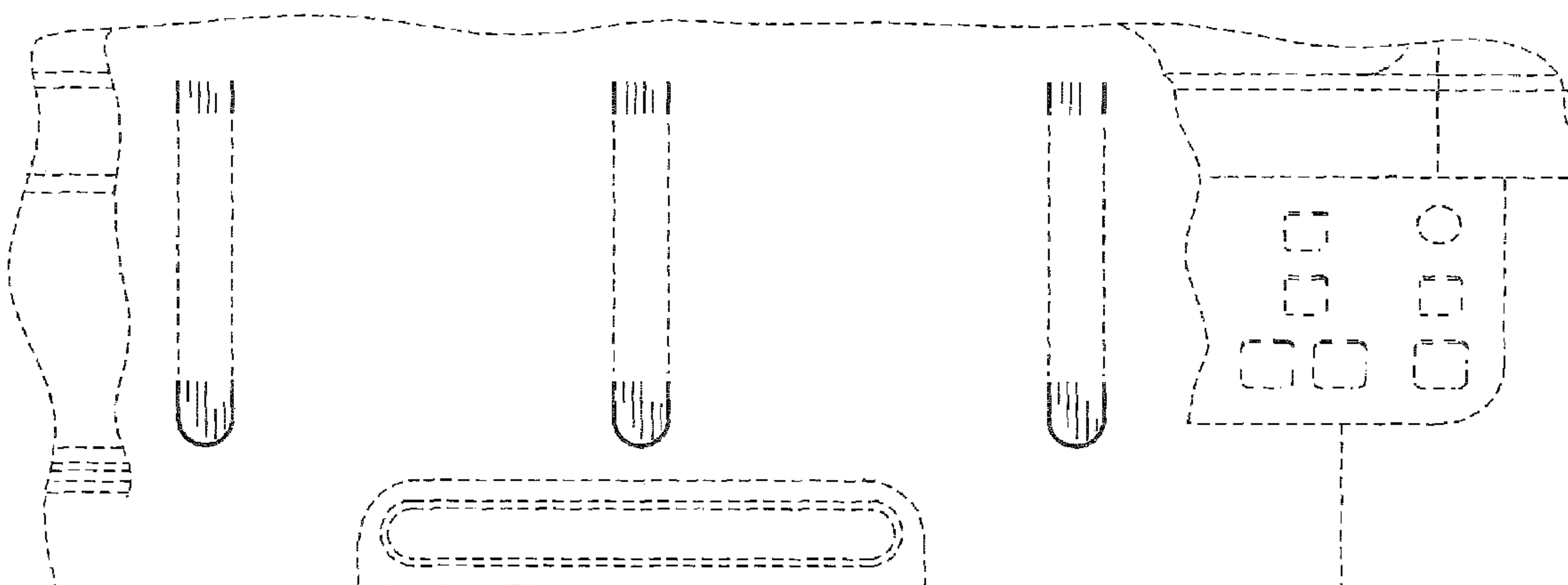
FIG. 4 is a front elevational view thereof;

FIG. 5 is a top plan view thereof; and,

FIG. 6 is a fragmentary top plan view thereof.

The ornamental design which is claimed is shown in solid lines in the drawings. The broken lines in the drawings are for illustrative purposes only and form no part of the claimed design.

**1 Claim, 6 Drawing Sheets**



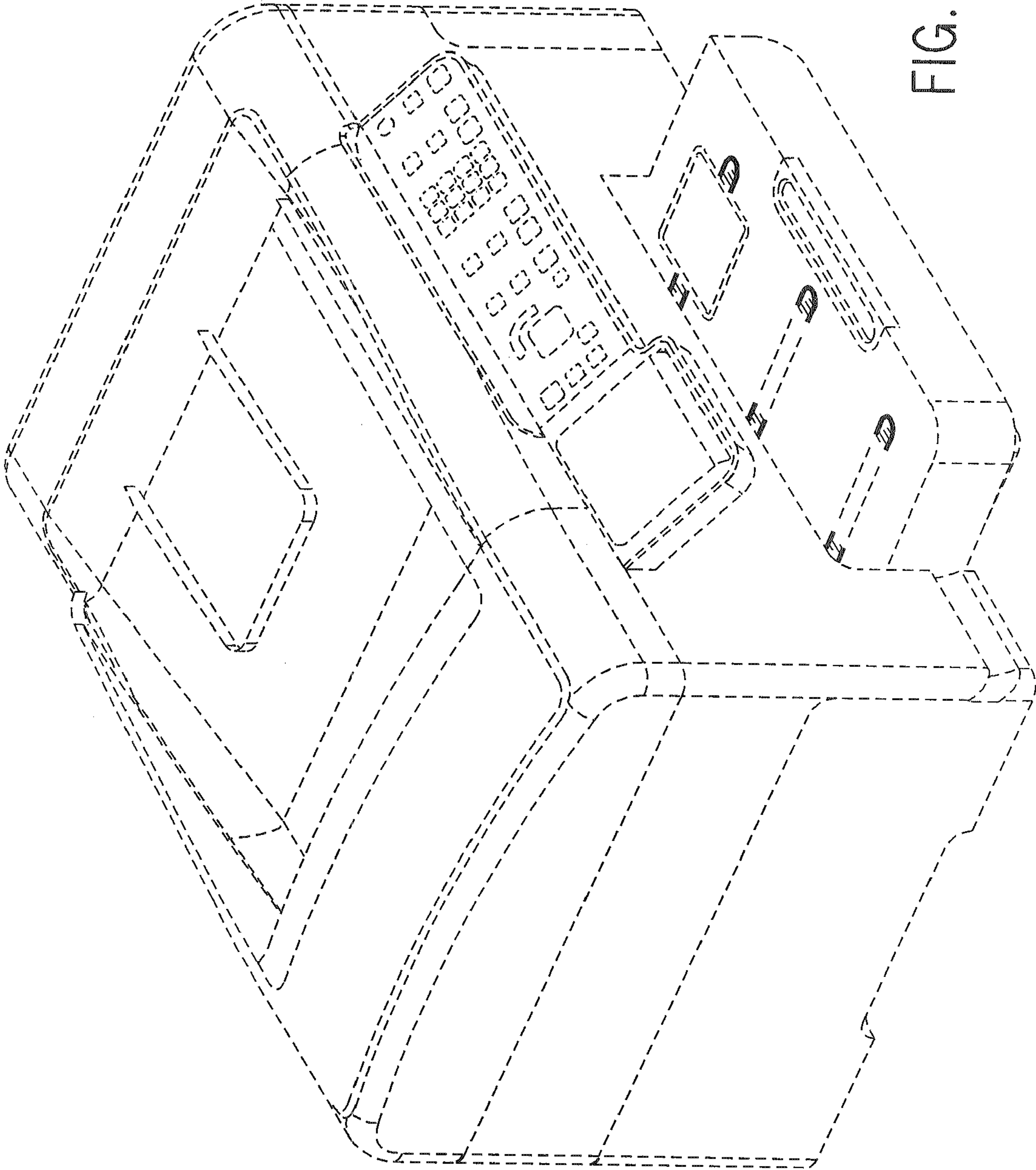


FIG. 1

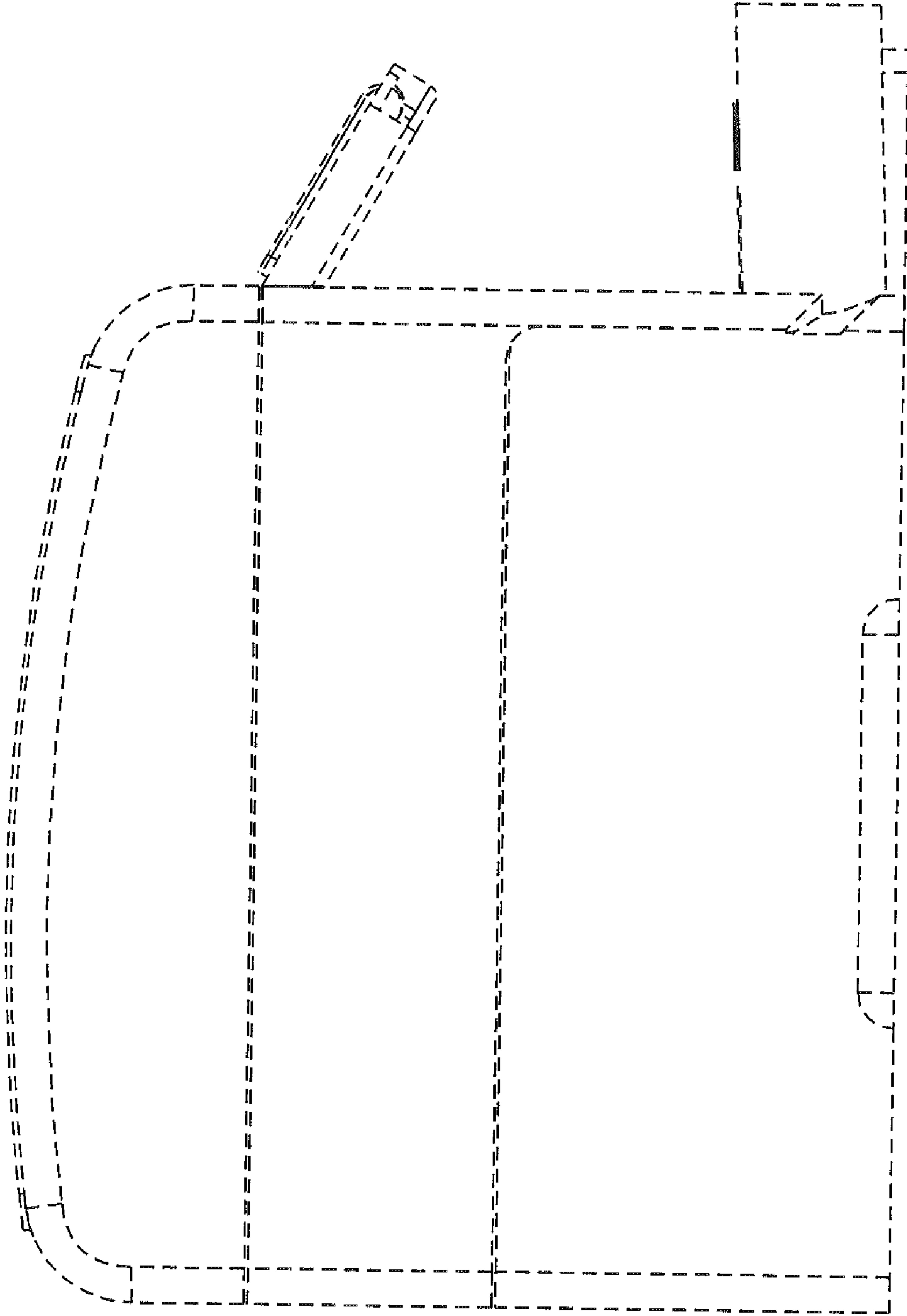


FIG. 2

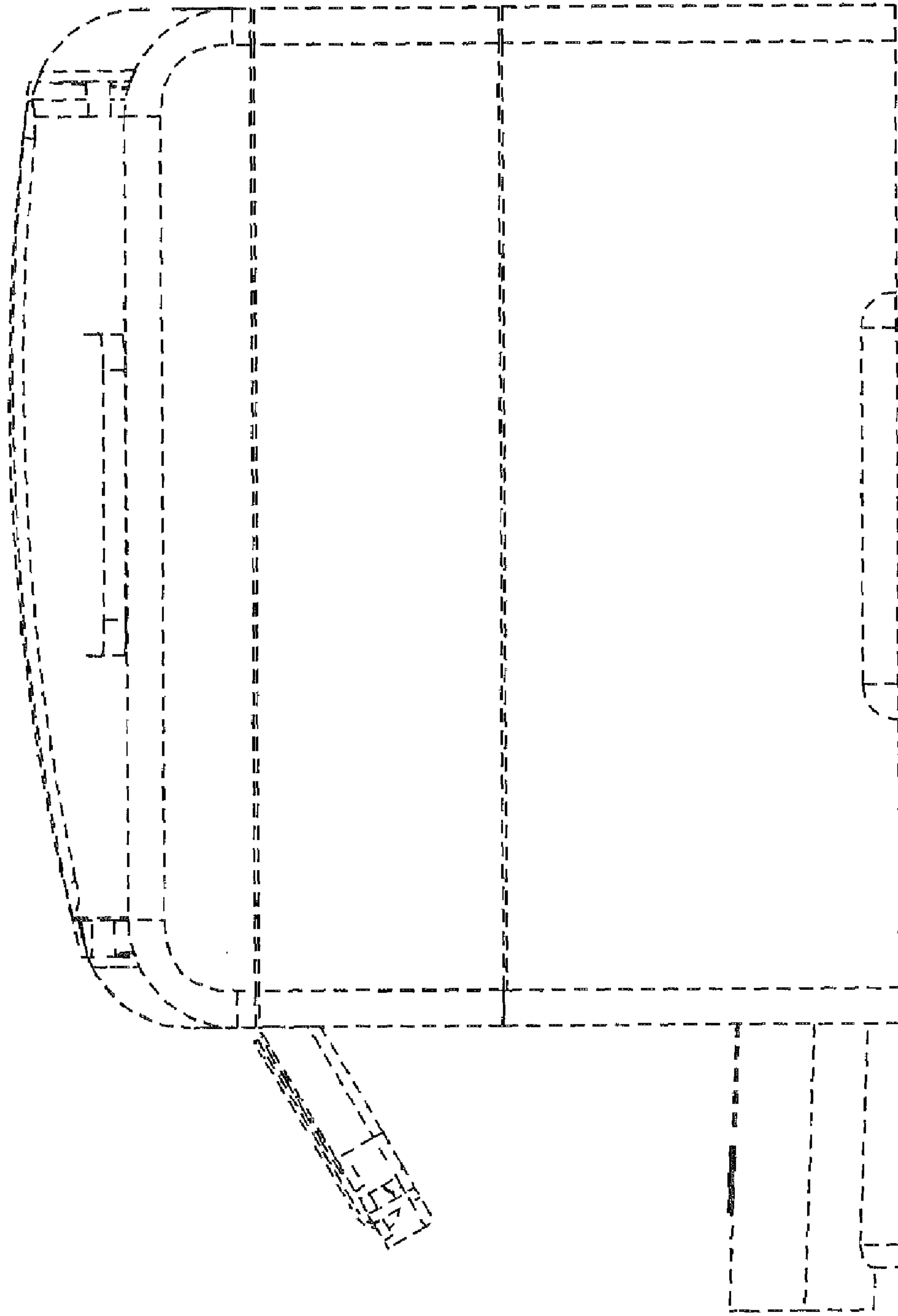


FIG. 3

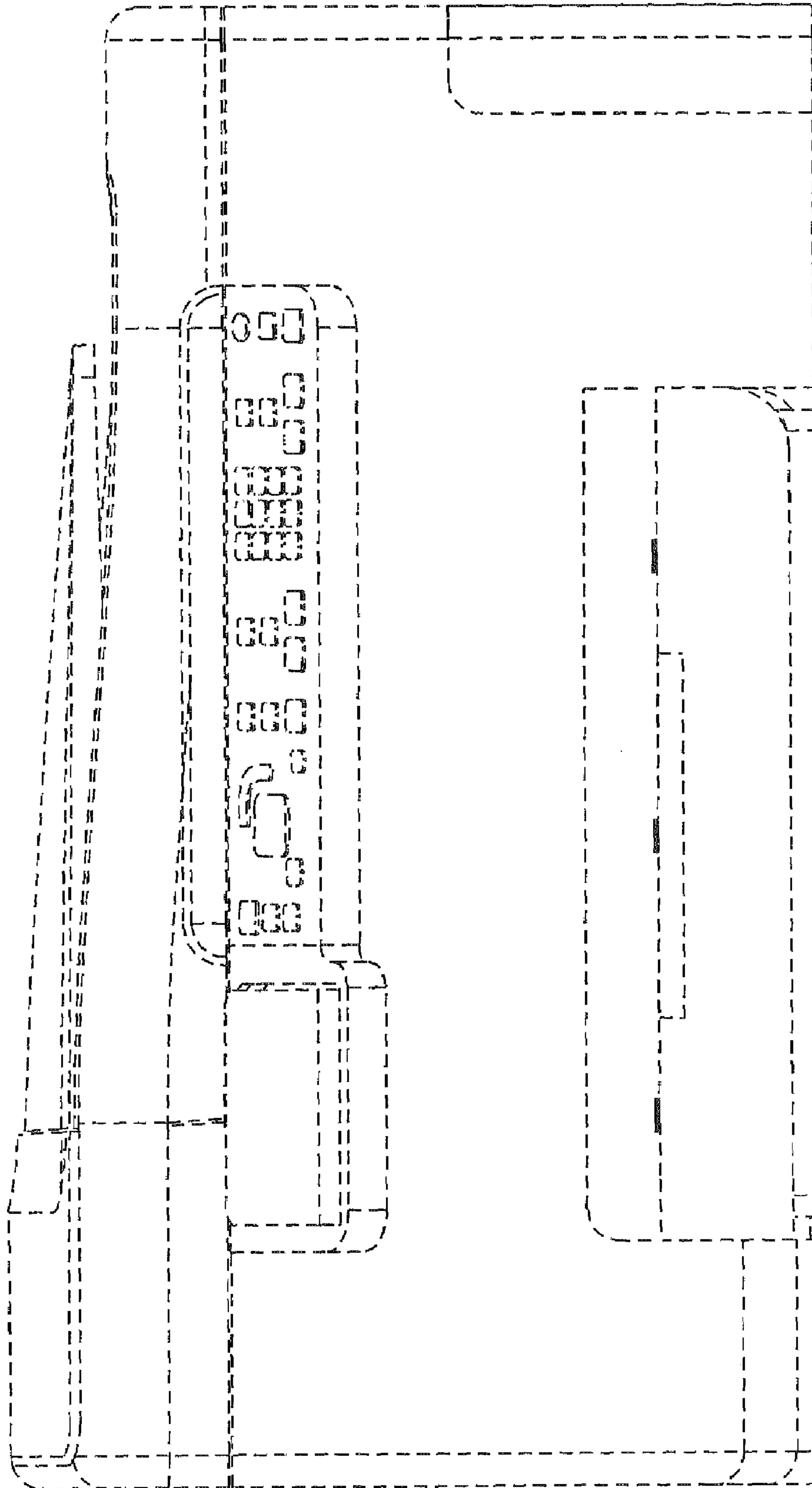


FIG. 4

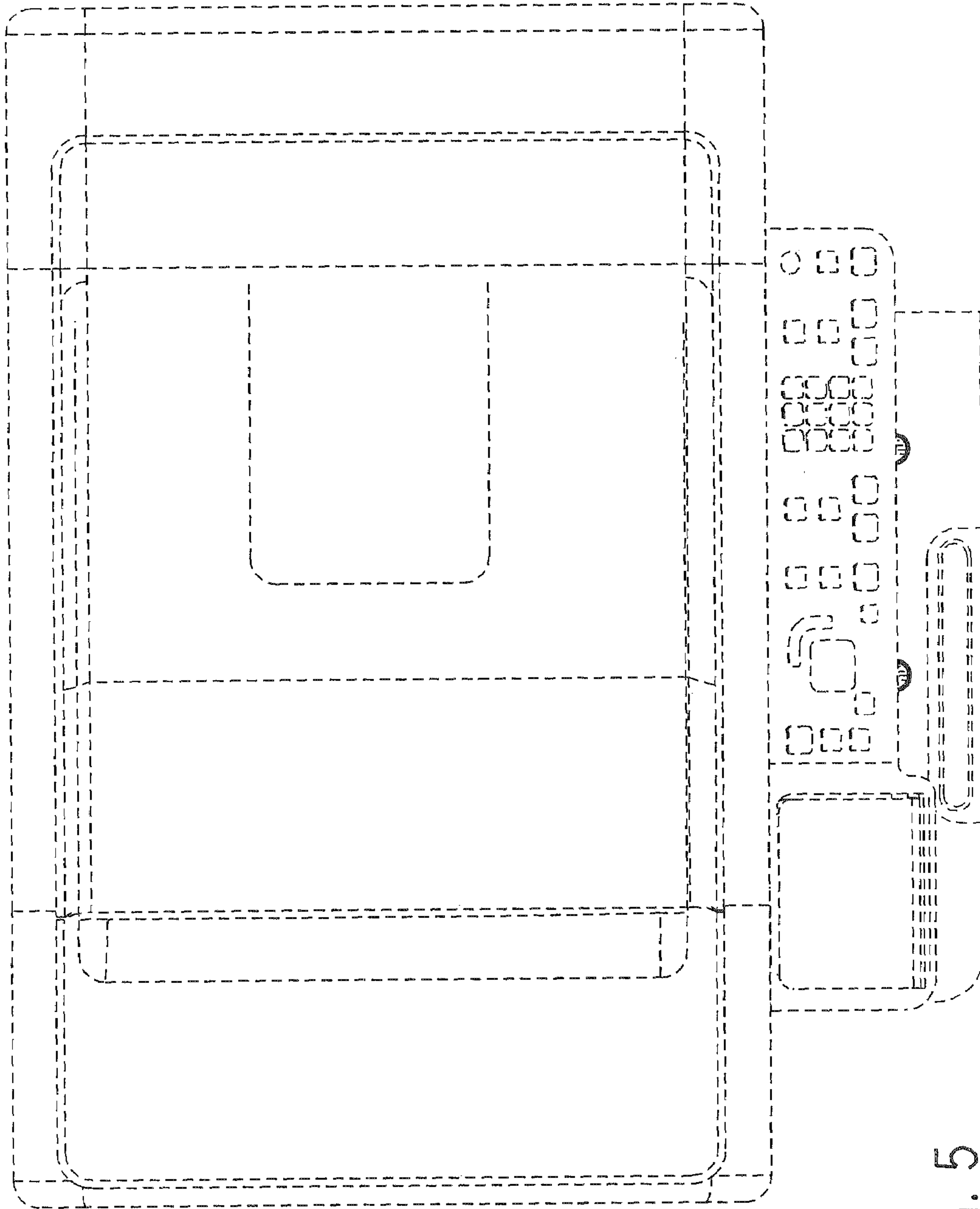


FIG. 5



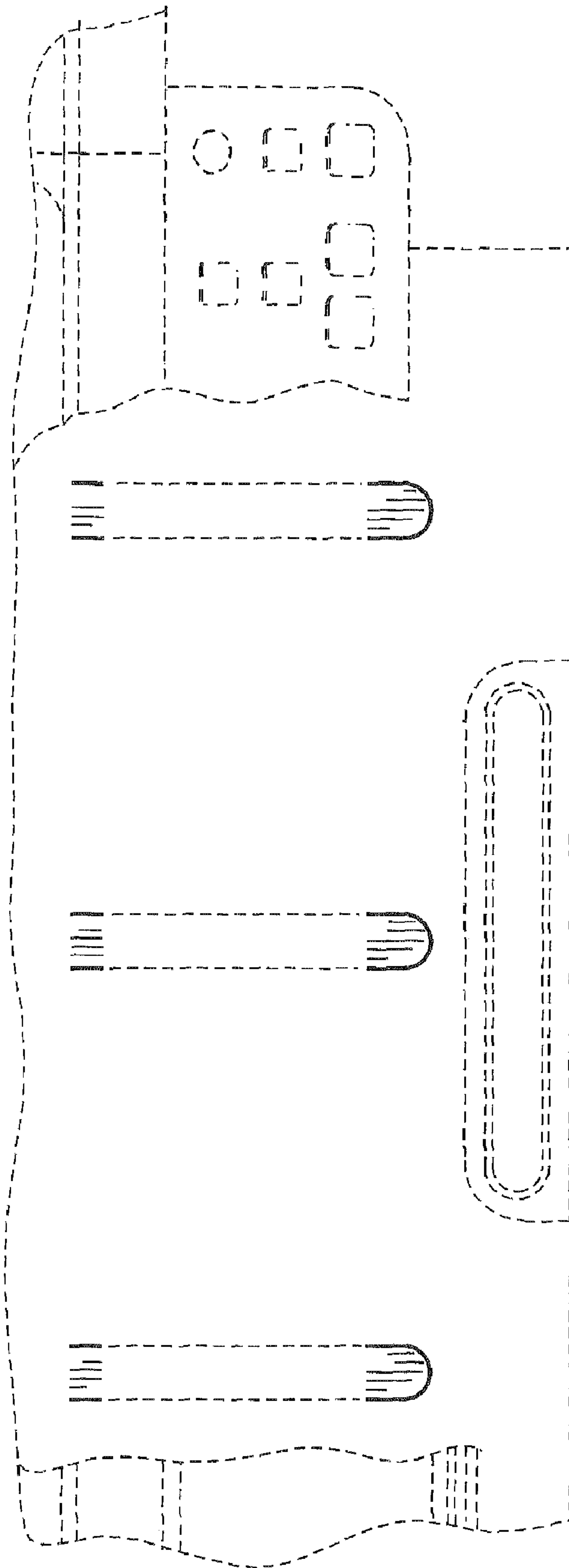


FIG. 6