

US00D570403S

(12) **United States Design Patent** (10) **Patent No.:** **US D570,403 S**
Park et al. (45) **Date of Patent:** **** Jun. 3, 2008**

(54) **TONER CARTRIDGE**

2005/0008391 A1* 1/2005 Ueno et al. 399/109

(75) Inventors: **Gyeong-Sun Park**, Seoul (KR);
Yun-Gi Hong, Seoul (KR); **Bong-Uk Lim**, Seoul (KR)

(73) Assignee: **Samsung Electronics Co., Ltd.**,
Suwon, Kyunggi-Do (KR)

(**) Term: **14 Years**

(21) Appl. No.: **29/292,073**

(22) Filed: **Sep. 27, 2007**

(51) **LOC (8) Cl.** **16-03**

(52) **U.S. Cl.** **D18/43**

(58) **Field of Classification Search** D14/471;
D18/12, 36, 40, 43, 44, 56; 222/DIG. 1;
347/197, 222; 399/24-28, 107-112, 119,
399/121, 122, 222-224

See application file for complete search history.

(56) **References Cited**

U.S. PATENT DOCUMENTS

D361,341 S *	8/1995	Komaki et al.	D18/43
D365,845 S *	1/1996	Yasuda et al.	D18/43
D378,830 S	4/1997	Kim	
D463,817 S *	10/2002	Kunihiro et al.	D18/40
D464,369 S *	10/2002	Kunihiro et al.	D18/43
D478,614 S *	8/2003	Numagami et al.	D18/40
6,608,980 B2 *	8/2003	Murayama et al.	399/111
D519,150 S *	4/2006	Kojima et al.	D18/40
D522,565 S *	6/2006	Sanada et al.	D18/43
D524,848 S *	7/2006	Murata	D18/43
D539,335 S	3/2007	Jeon et al.	
D544,528 S	6/2007	Kim	
D546,382 S	7/2007	Noh et al.	
D547,368 S	7/2007	Han	
D551,286 S	9/2007	Han	
2003/0049036 A1 *	3/2003	Ueno et al.	399/25

OTHER PUBLICATIONS

U.S. Appl. No. 29/261,034, Applicant: Jai-Il Choi filed Jun. 6, 2006 entitled Development Device for Laser Printer.

U.S. Appl. No. 29/270,054, Applicant: Se-Il Kwon, filed Dec. 13, 2006 entitled Cartridge for Laser Compound Device.

U.S. Appl. No. 29/270,051, Applicant: Jong-Hyun Park, filed Dec. 13, 2006 entitled Toner Cartridge.

U.S. Appl. No. 29/291,994, Applicant: Min-Su Han, filed Sep. 25, 2007 entitled Development Device for Laser Printer.

U.S. Appl. No. 29/272,077, Applicant: Gyeong-Sun Park, et al., filed Sep. 27, 2007 entitled Development Device for Laser Printer.

U.S. Appl. No. 29/292,095, Applicant: Gyeong-Sun Park, et al., filed Sep. 27, 2007 entitled Toner Cartridge.

U.S. Appl. No. 29/292,075, Applicant: Gyeong-Sun Park, et al., filed Sep. 27, 2007 entitled Toner Cartridge.

* cited by examiner

Primary Examiner—Caron D. Veynar

Assistant Examiner—Garth Rademaker

(74) *Attorney, Agent, or Firm*—Flynn, Thiel, Boutell & Tanis, P.C.

(57) **CLAIM**

The ornamental design for a toner cartridge, as shown.

DESCRIPTION

FIG. 1 is a top front perspective view of a toner cartridge showing our new design;

FIG. 2 is a front elevational view thereof;

FIG. 3 is a rear elevational view thereof;

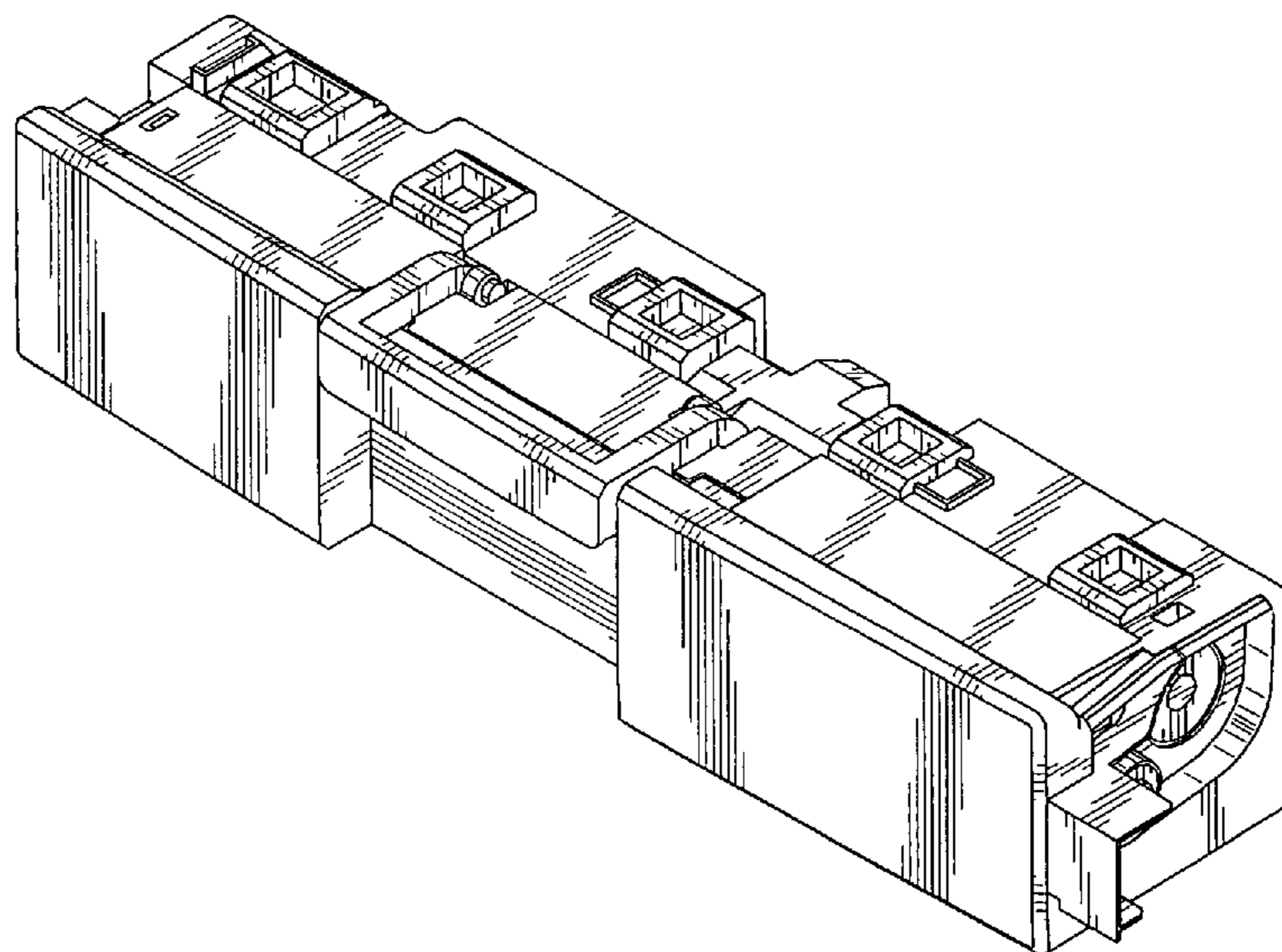
FIG. 4 is a left side elevational view thereof;

FIG. 5 is a right side elevational view thereof;

FIG. 6 is a top plan view thereof; and,

FIG. 7 is a bottom plan view thereof.

1 Claim, 4 Drawing Sheets



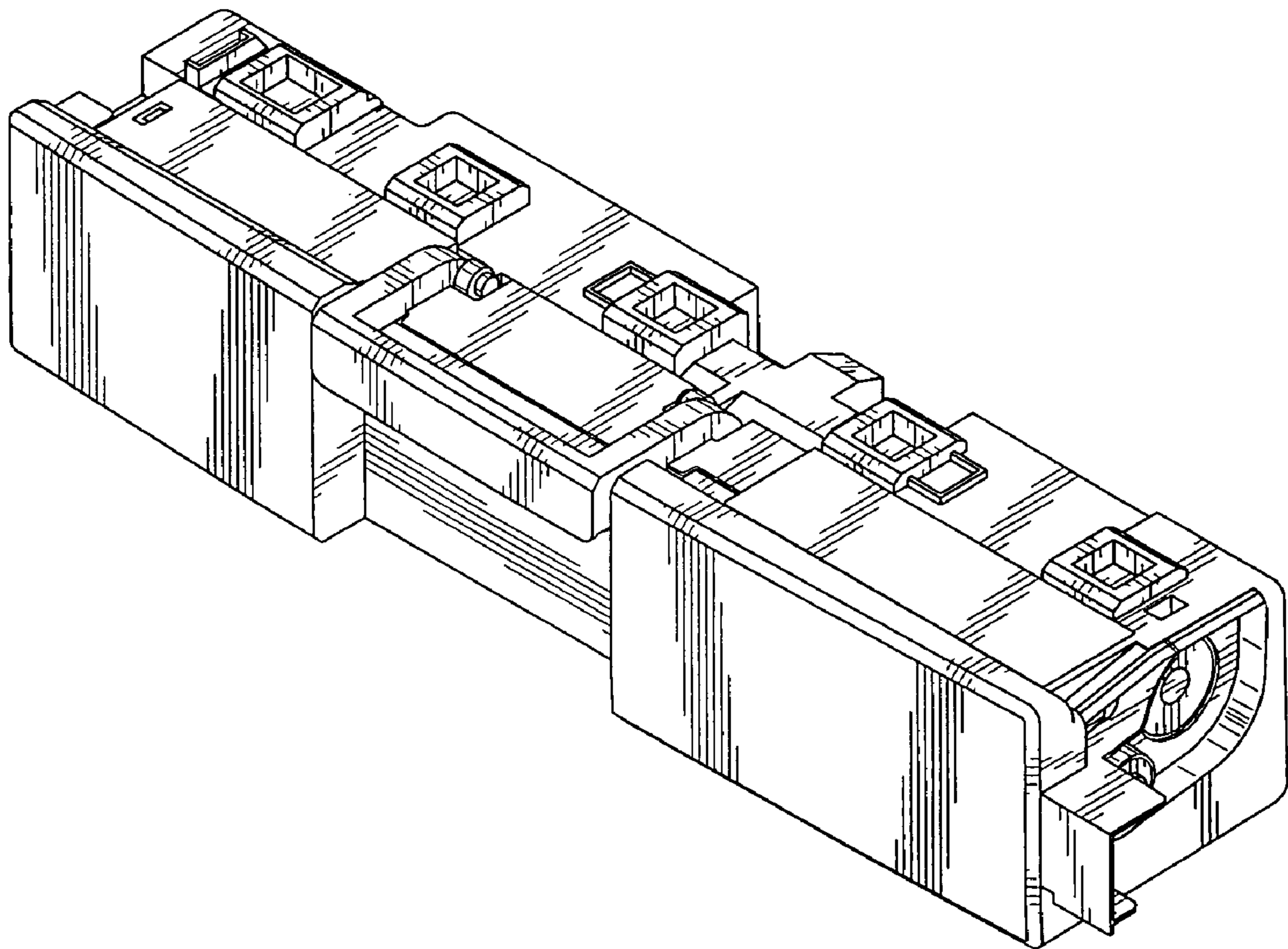


FIG. 1

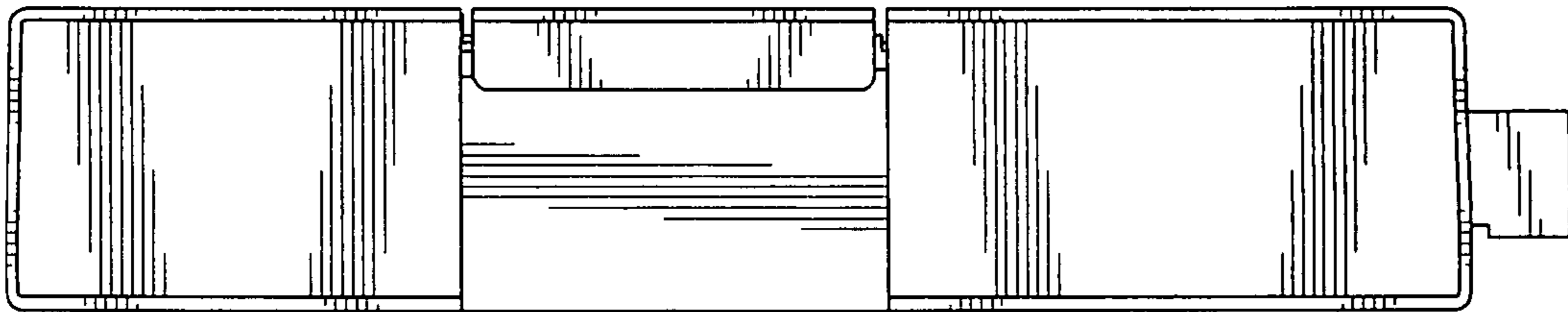


FIG. 2

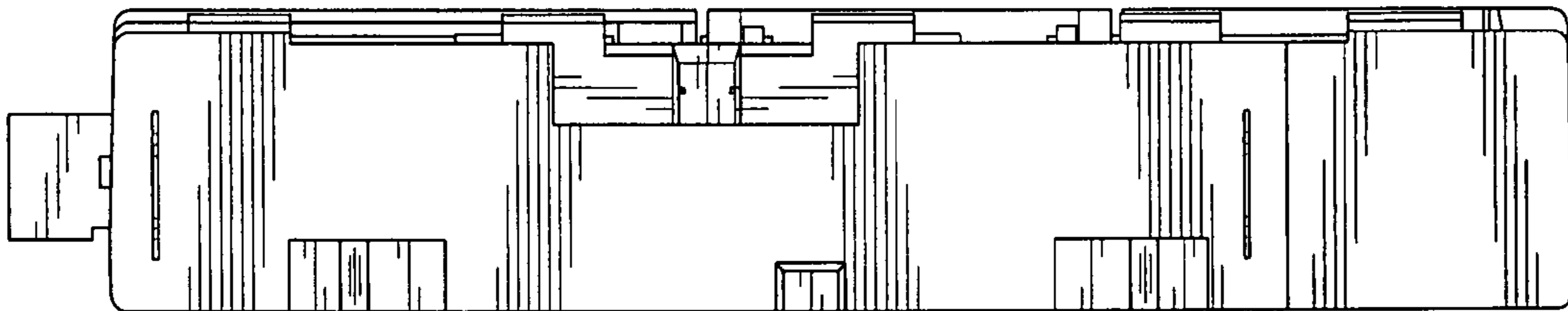


FIG. 3

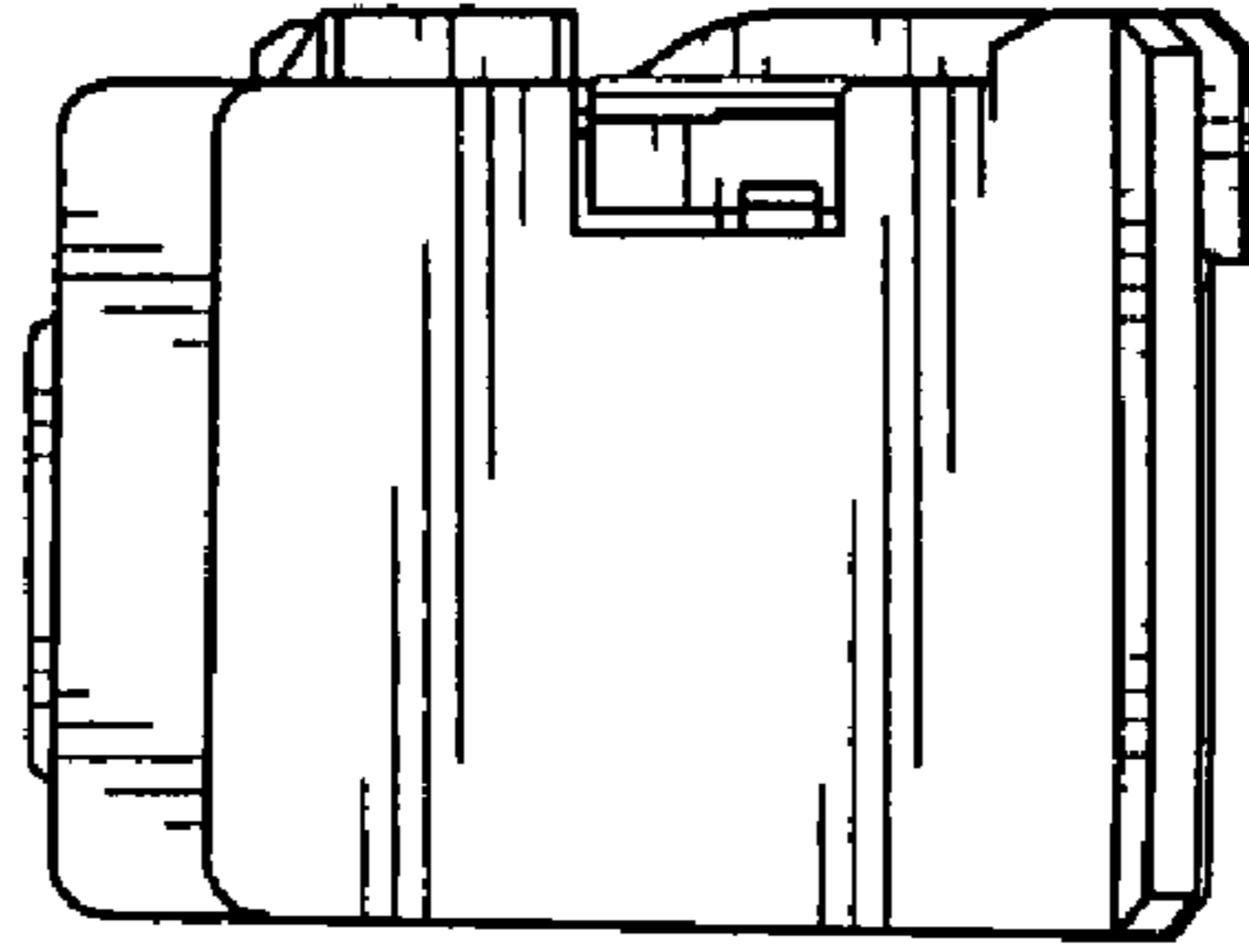


FIG. 4

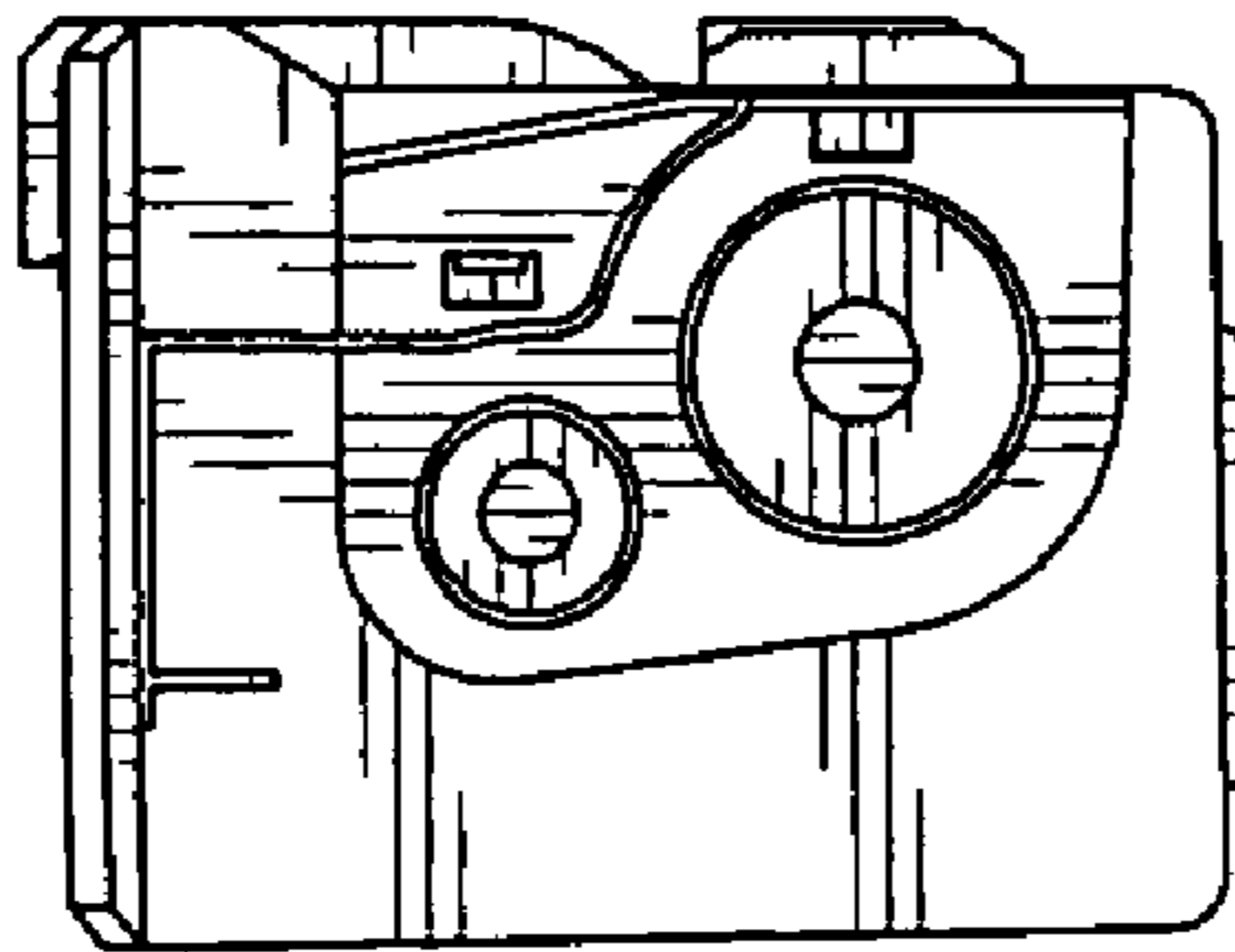


FIG. 5

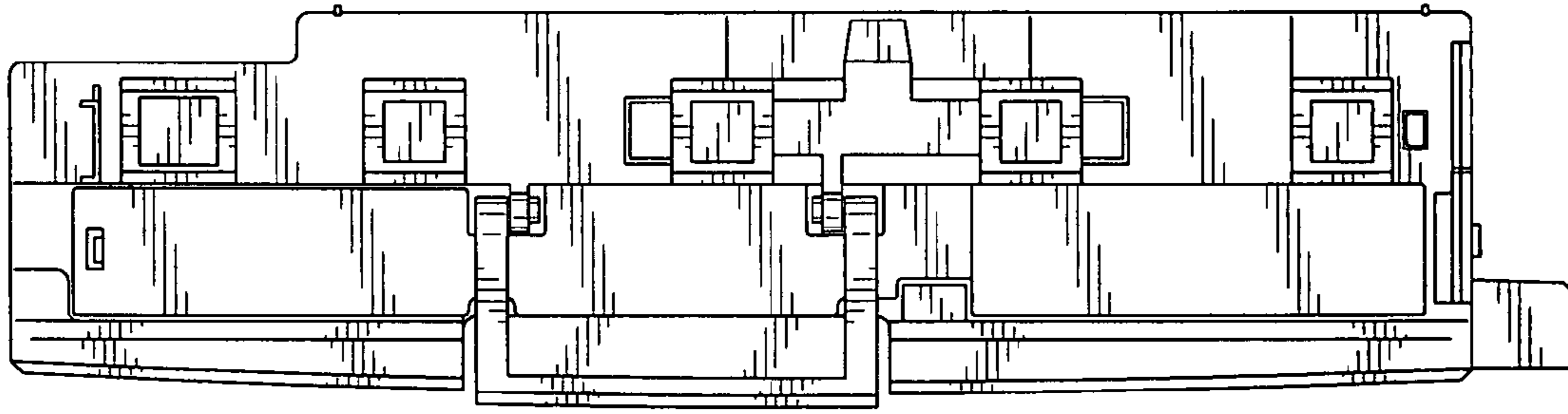


FIG. 6

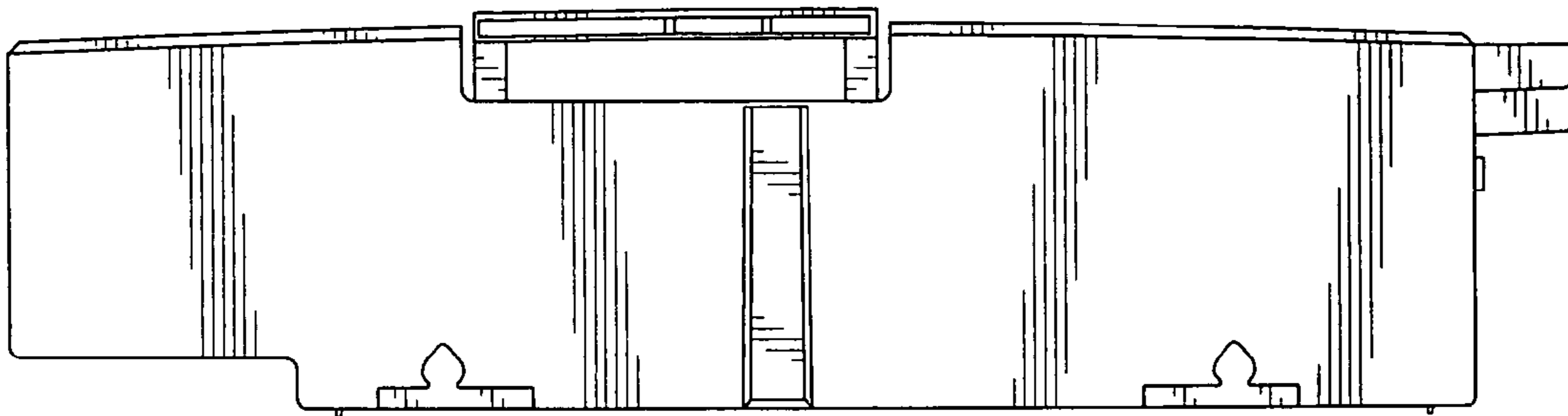


FIG. 7