

US00D570401S

(12) **United States Design Patent**
Masuda

(10) **Patent No.:** **US D570,401 S**
(45) **Date of Patent:** **** Jun. 3, 2008**

(54) **CASH REGISTER**

(75) Inventor: **Takuro Masuda**, Tokyo (JP)

(73) Assignee: **Toshiba TEC Kabushiki Kaisha**,
Tokyo (JP)

(**) Term: **14 Years**

(21) Appl. No.: **29/288,174**

(22) Filed: **Jun. 1, 2007**

(30) **Foreign Application Priority Data**

Dec. 13, 2006 (JP) 2006-034243

(51) **LOC (8) Cl.** **18-01**

(52) **U.S. Cl.** **D18/4.3**

(58) **Field of Classification Search** D14/336,
D14/371, 373-376, 385-387, 399; D18/3.1-3.3,
D18/4.1-4.6, 6-8, 11, 12, 12.1-12.3, 19;
D21/324, 329, 332, 333; D99/28, 34-36,
D99/43; 235/1 E, 2, 7 R, 12, 22, 33, 51,
235/52; 705/12, 15-18, 43

See application file for complete search history.

(56) **References Cited**

U.S. PATENT DOCUMENTS

D332,111 S * 12/1992 Chou D18/4.4
D339,572 S * 9/1993 Savio D18/4.3
D354,976 S * 1/1995 Miyake et al. D18/4.1
D372,042 S * 7/1996 Mizusugi et al. D18/4.1
D374,683 S * 10/1996 Jung D18/4.4
D375,972 S * 11/1996 Masuda D18/4.1

D379,366 S * 5/1997 Hokazono D18/4.1
D397,719 S * 9/1998 Masuda D18/4.1
D438,236 S * 2/2001 Masuda D18/4.3
D466,548 S * 12/2002 Yamashiro D18/4.1
D466,549 S * 12/2002 Mizusugi D18/4.1
D468,761 S * 1/2003 Mizusugi D18/4.1
D469,118 S * 1/2003 Yugaya D18/4.1

* cited by examiner

Primary Examiner—Caron D. Veynar

Assistant Examiner—Garth Rademaker

(74) *Attorney, Agent, or Firm*—Ohlandt, Greeley, Ruggiero
& Perle, L.L.P.

(57) **CLAIM**

The ornamental design for a cash register, as shown and described.

DESCRIPTION

FIG. 1 is a front, top and right side perspective view of a cash register, showing my new design;

FIG. 2 is a front elevational view thereof;

FIG. 3 is a rear elevational view thereof;

FIG. 4 is a top plan view thereof;

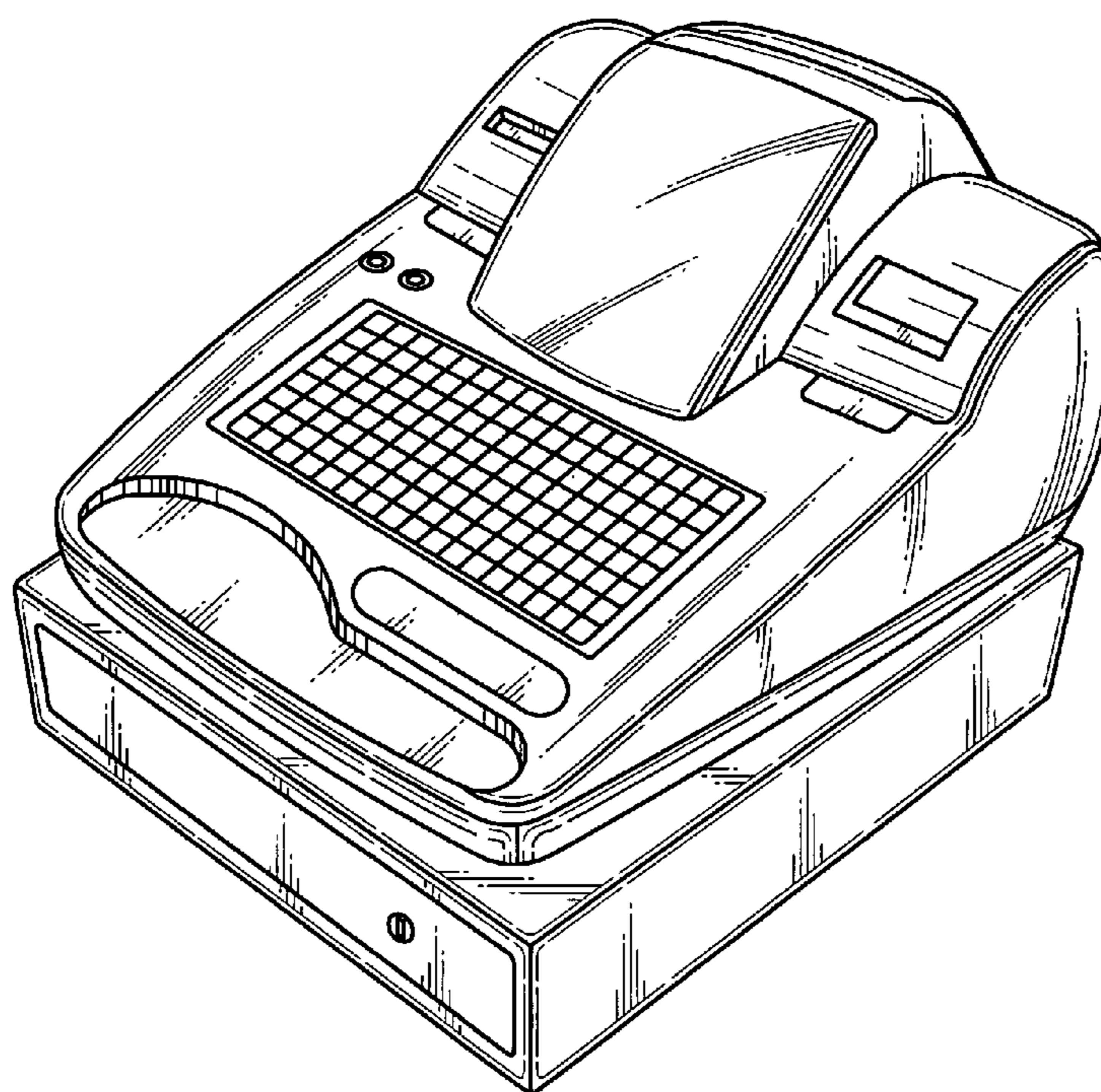
FIG. 5 is a bottom plan view thereof;

FIG. 6 is a left side elevational view thereof;

FIG. 7 is a right side elevational view thereof; and,

FIG. 8 is a rear elevational view thereof with the display in a lifted state.

1 Claim, 5 Drawing Sheets



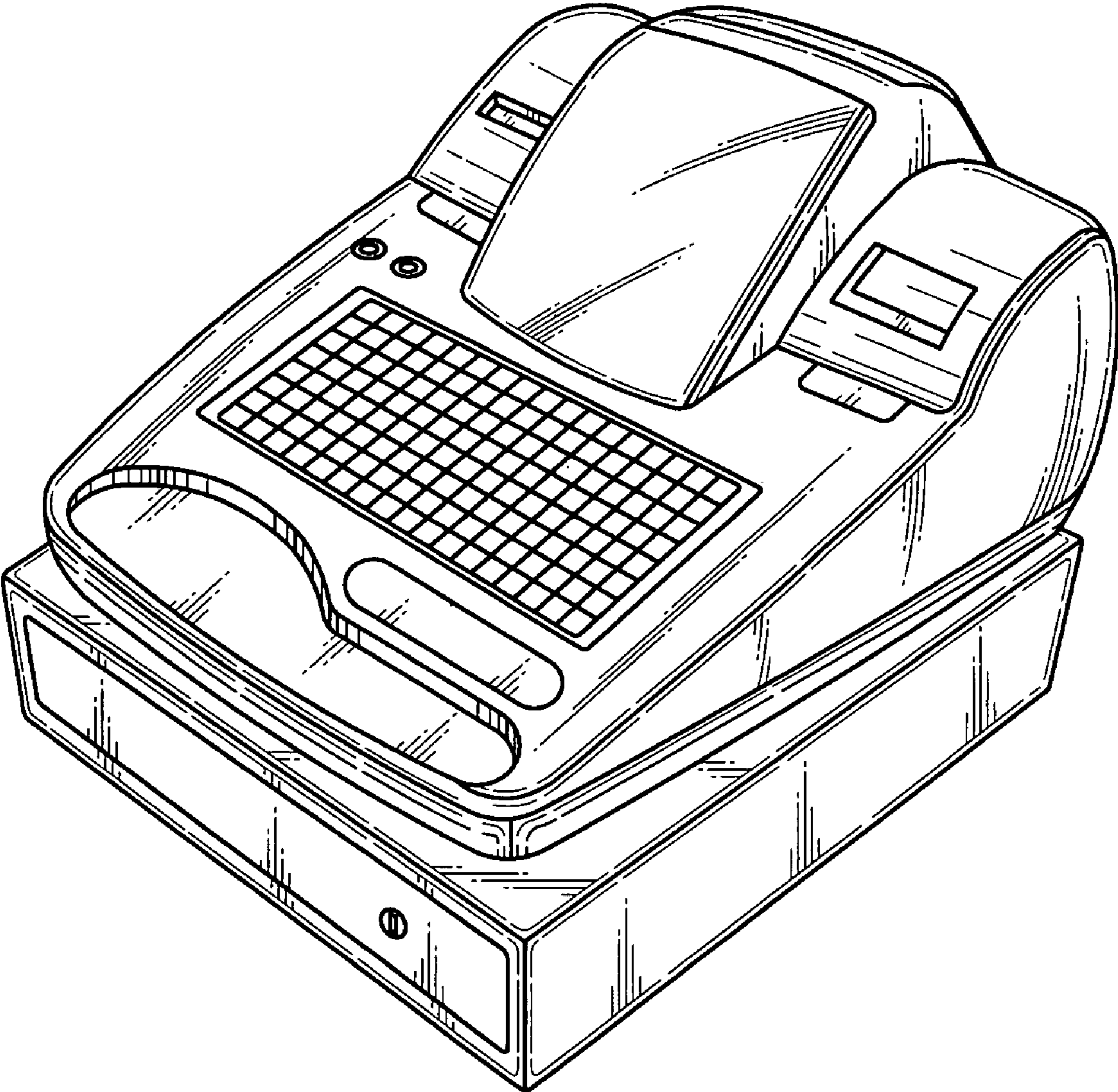


FIG.1

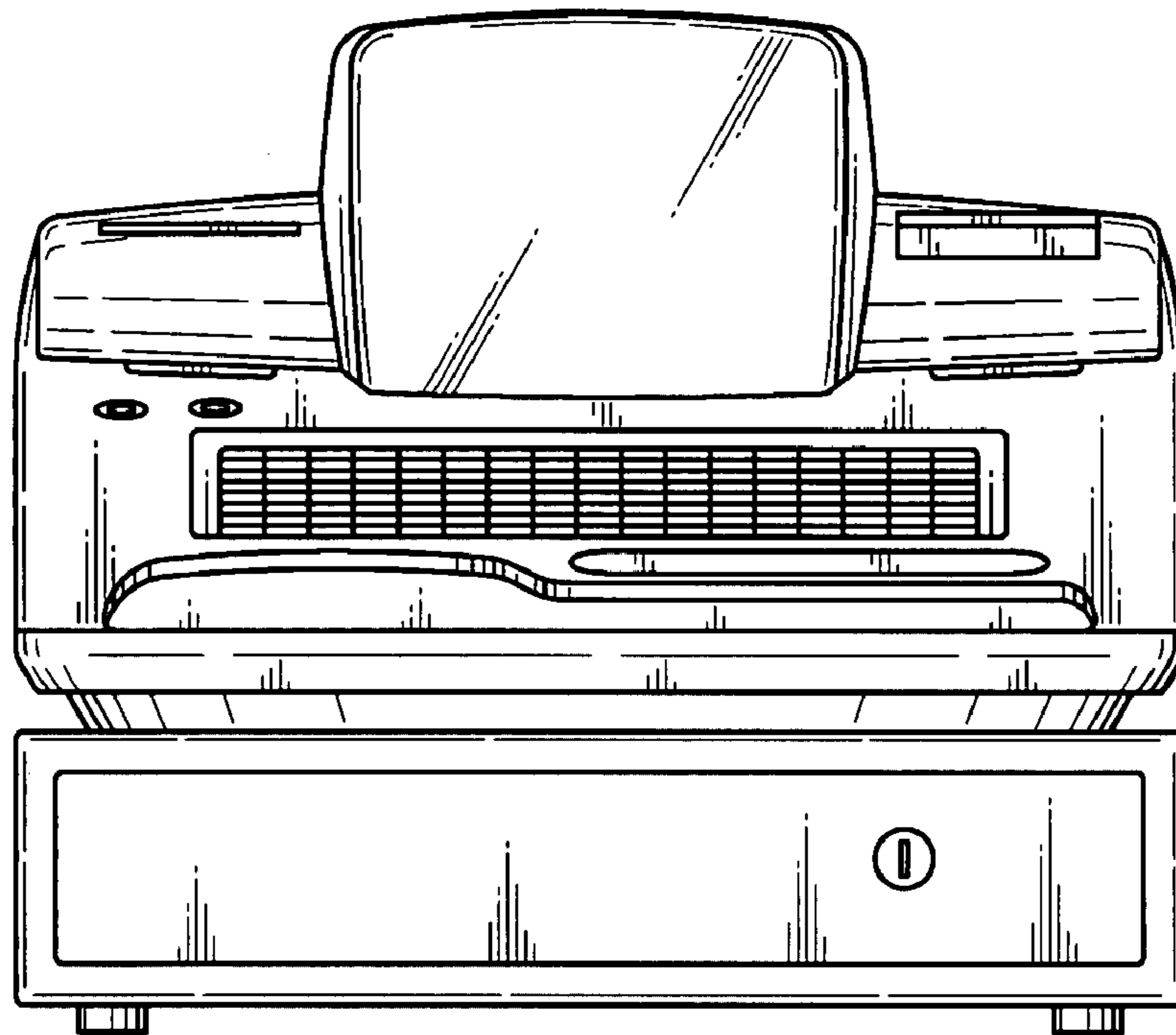


FIG. 2

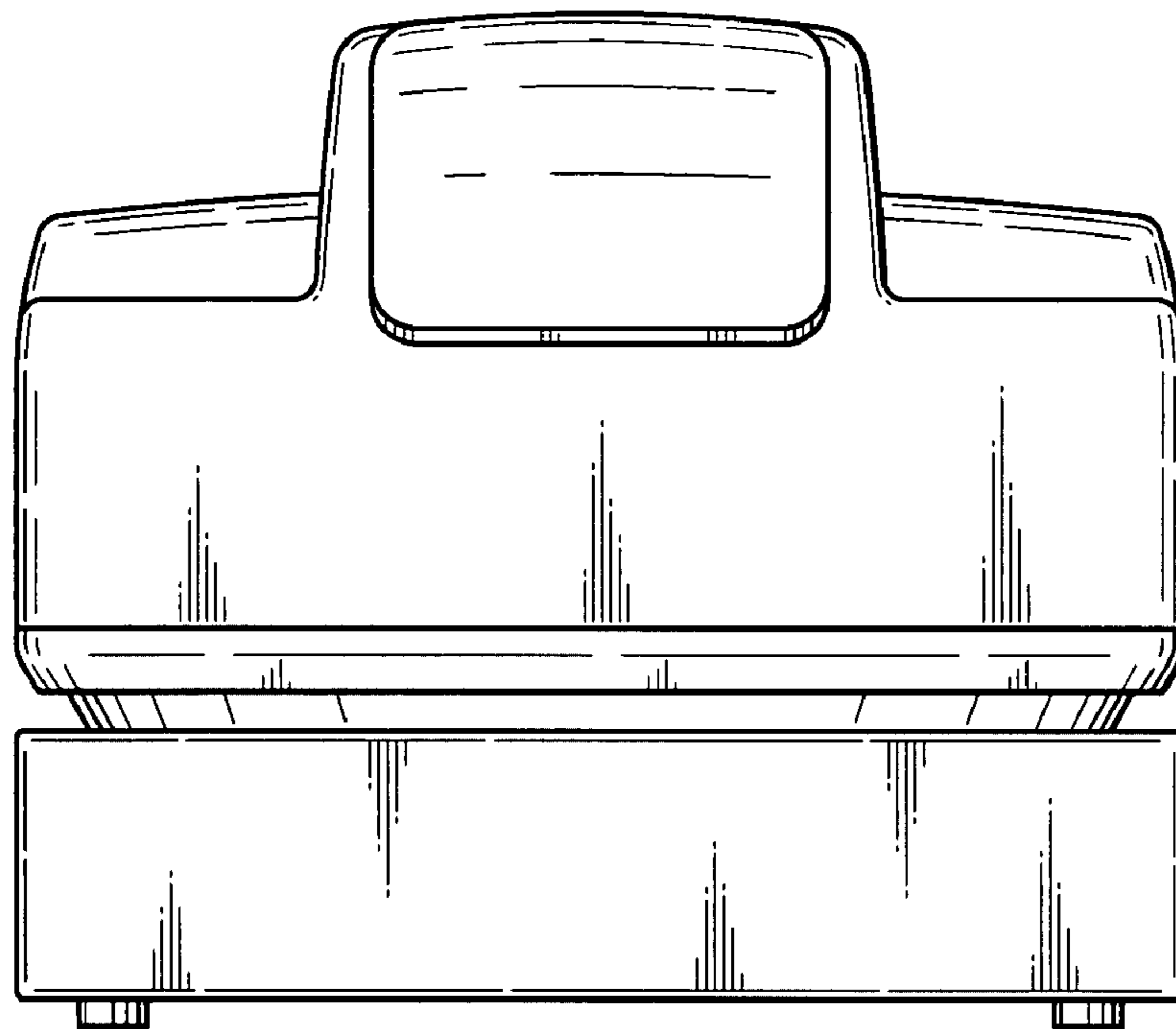


FIG. 3

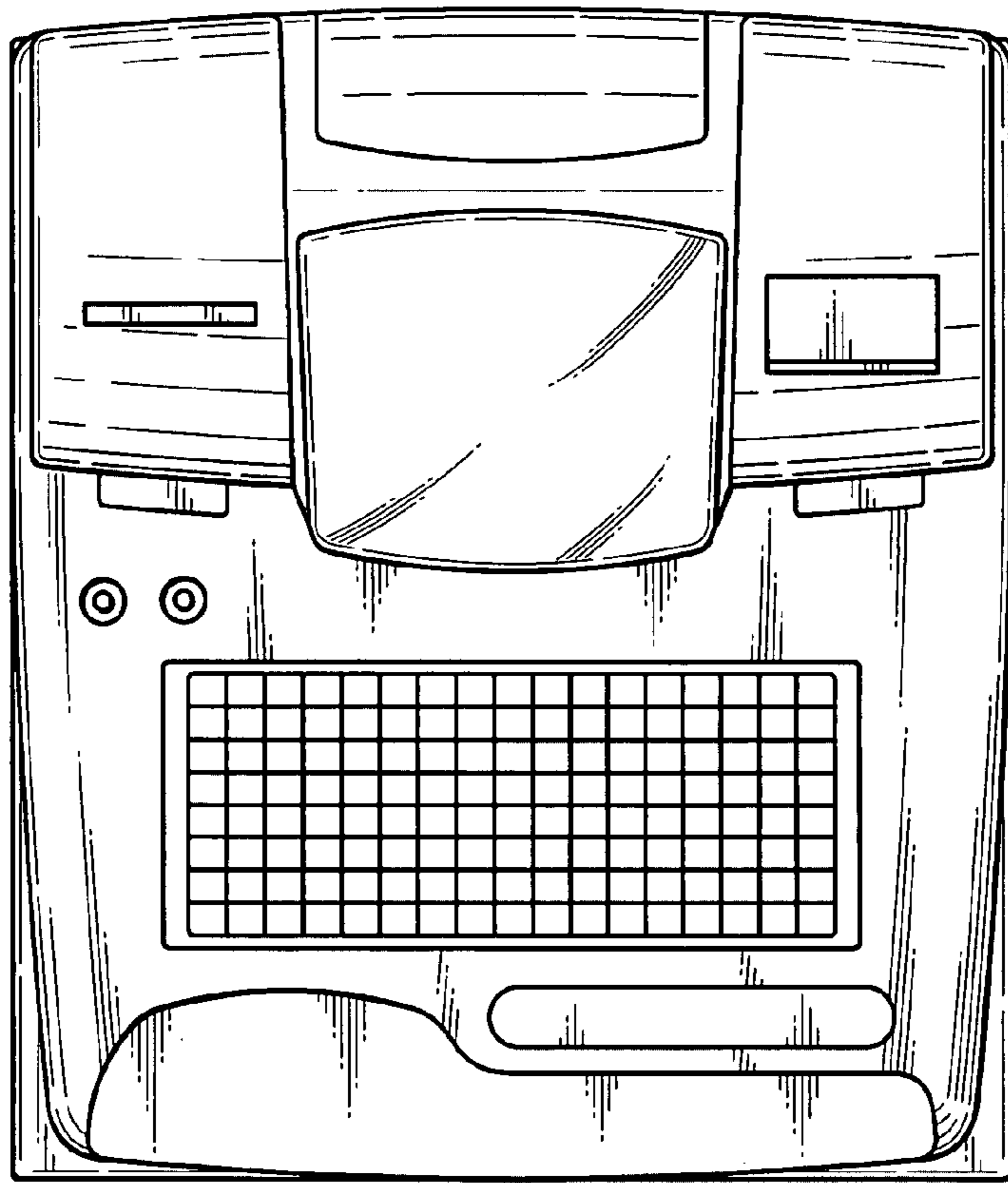


FIG.4

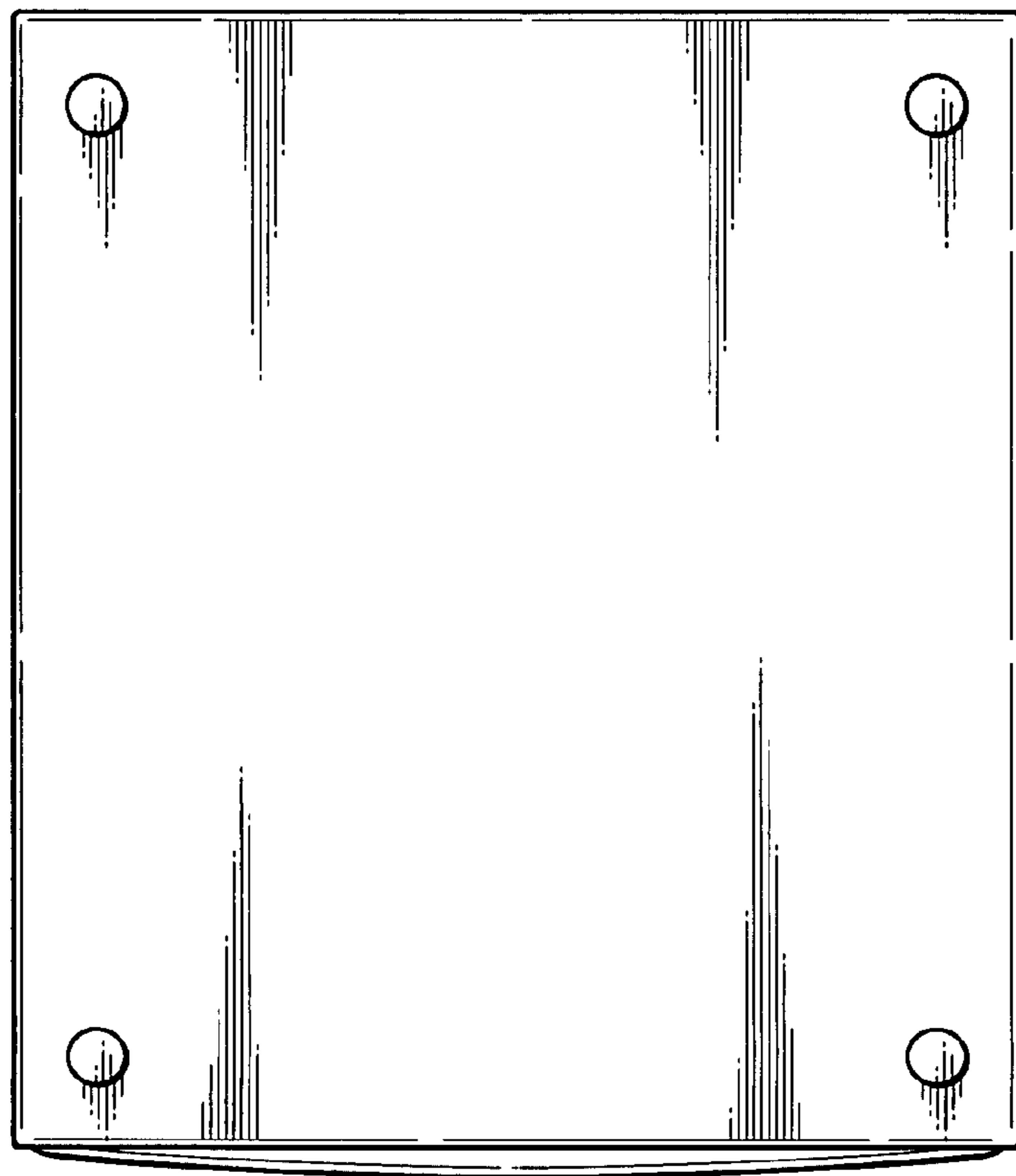


FIG.5

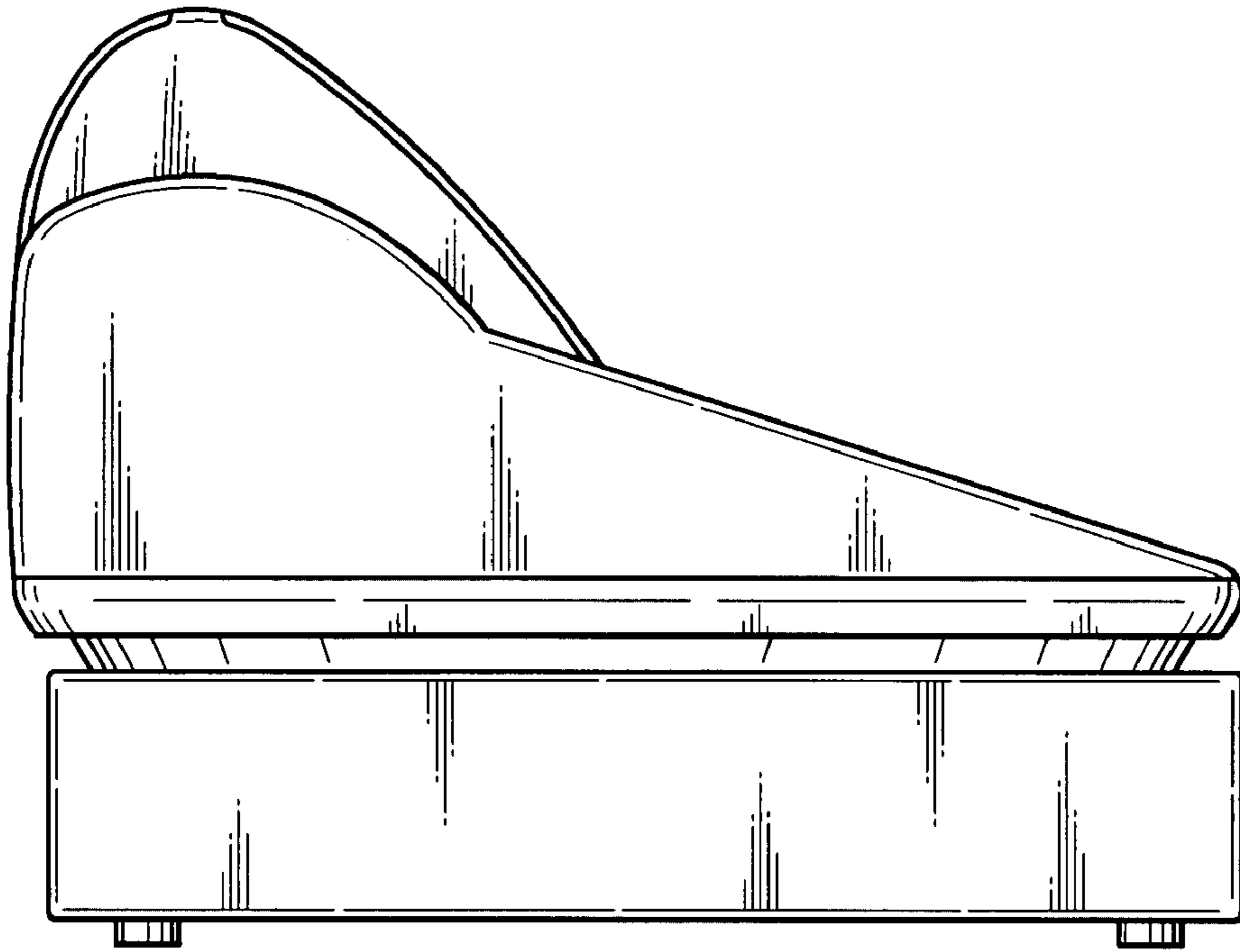


FIG. 6

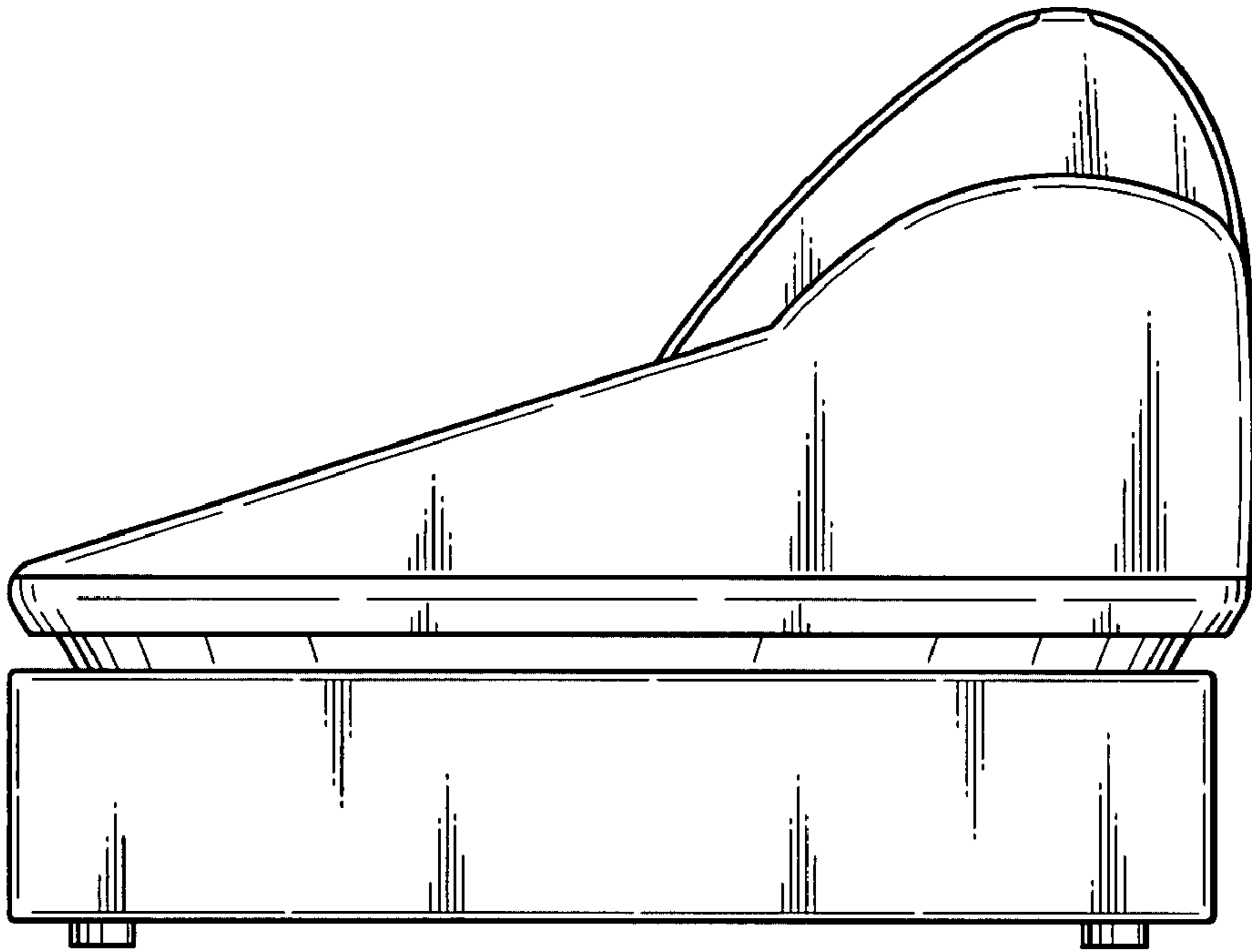


FIG. 7

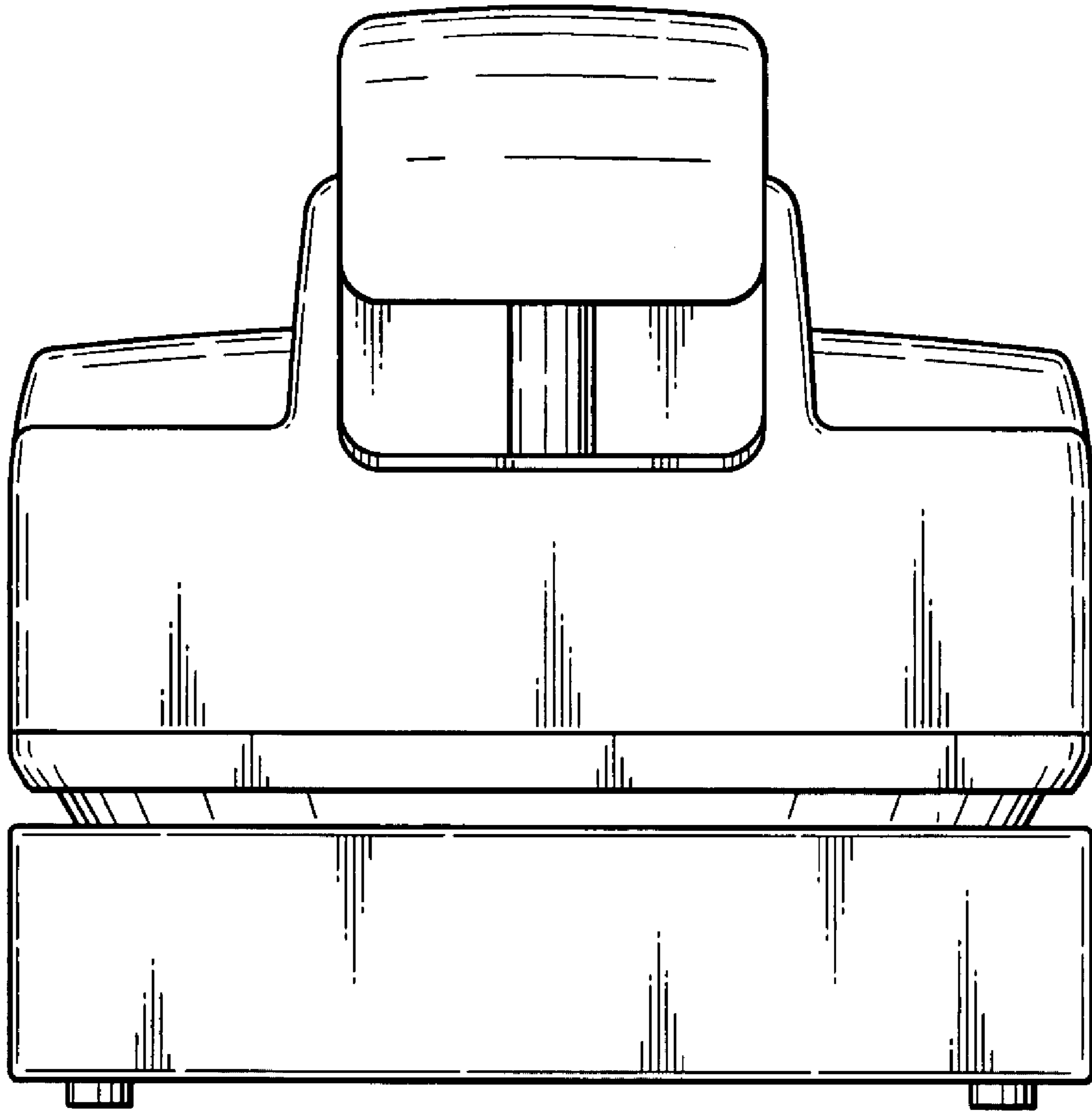


FIG.8