



US00D570399S

(12) **United States Design Patent**
Quan

(10) **Patent No.:** **US D570,399 S**
(45) **Date of Patent:** **** Jun. 3, 2008**

(54) **BRIDGE FOR A MUSICAL INSTRUMENT**

(76) Inventor: **Glen D. Quan**, 561 Darien Way, San Francisco, CA (US) 94127

(**) Term: **14 Years**

(21) Appl. No.: **29/260,972**

(22) Filed: **Jun. 5, 2006**

(51) **LOC (8) Cl.** **17-03**

(52) **U.S. Cl.** **D17/21**

(58) **Field of Classification Search** D17/14,
D17/15, 18, 19, 20, 21, 99; 84/173, 209–211,
84/267, 292, 298, 299, 307–309, 311, 453
See application file for complete search history.

(56) **References Cited**

U.S. PATENT DOCUMENTS

| | | | | | | |
|--------------|------|---------|-----------------|-------|--------|---|
| 2,813,448 | A * | 11/1957 | Robinson | | 84/297 | R |
| 2,972,923 | A * | 2/1961 | Fender | | 84/313 | |
| 4,069,733 | A | 1/1978 | Quan | | | |
| D259,119 | S | 5/1981 | Quan | | | |
| D261,526 | S * | 10/1981 | Carson | | D17/21 | |
| 4,610,190 | A * | 9/1986 | Maloney | | 84/312 | R |
| 4,712,463 | A | 12/1987 | Kubicki et al. | | | |
| D373,136 | S * | 8/1996 | Goto | | D17/21 | |
| D433,700 | S | 11/2000 | Gregory | | | |
| 6,426,454 | B1 * | 7/2002 | Gregory | | 84/267 | |
| 2006/0144208 | A1 * | 7/2006 | Kandrack et al. | | 84/290 | |

* cited by examiner

Primary Examiner—Ian Simmons

Assistant Examiner—R. Johnson

(74) *Attorney, Agent, or Firm*—Nancy N Quan

(57) **CLAIM**

The ornamental design for a bridge for a musical instrument, as shown and described.

DESCRIPTION

FIG. 1 is a reduced top and side perspective view of a bridge for a musical instrument embodying my new design, said drawing showing the bridge and the string anchoring device, the broken lines shown are for environmental purposes only and form no part of my invention;

FIG. 2 is a top perspective view of a bridge thereof for a musical instrument;

FIG. 3 is a top perspective view of a bridge thereof, the movable elements are shown in alternate positions;

FIG. 4 is a top view of the device as shown in FIG. 2 thereof;

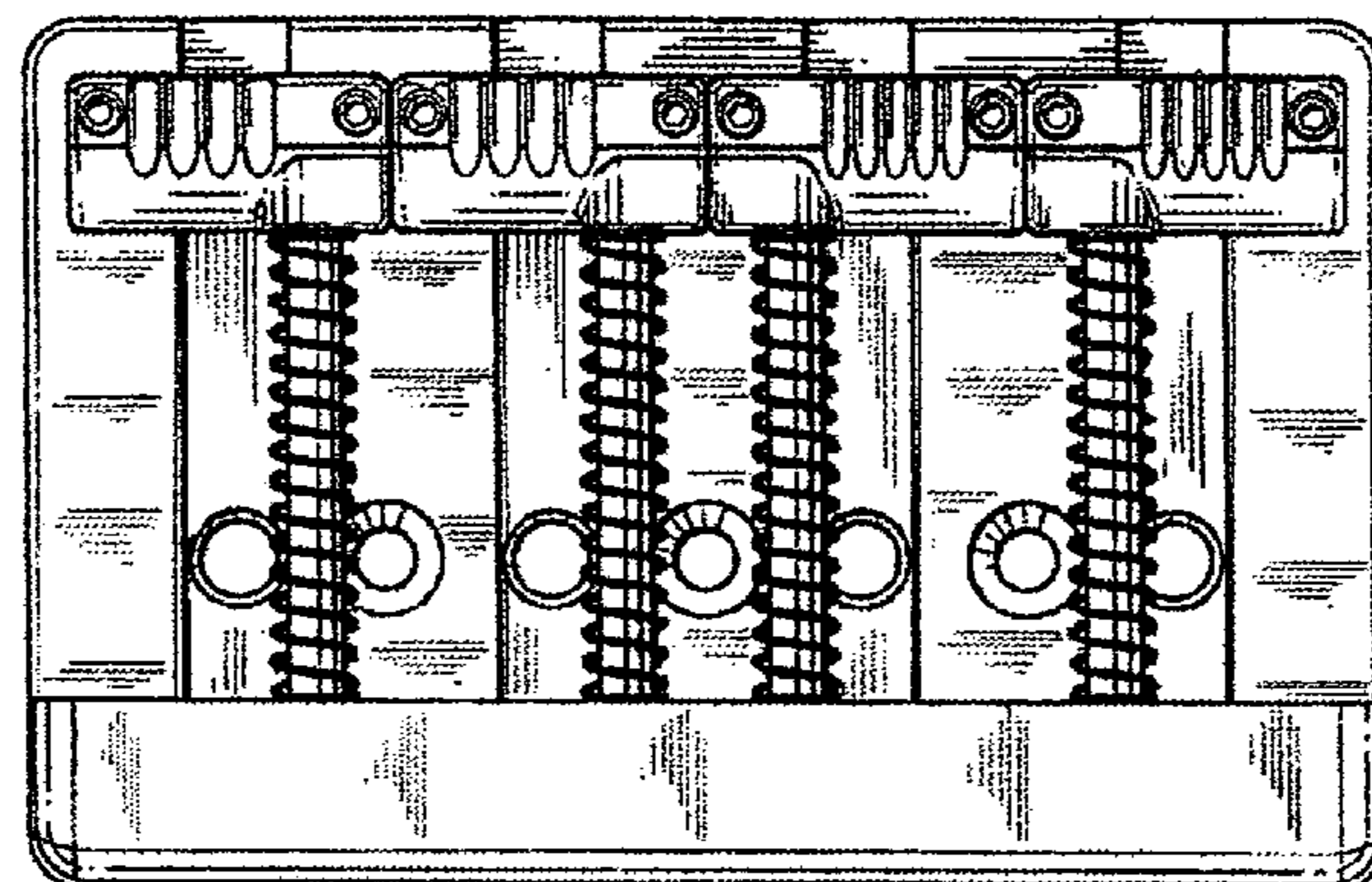
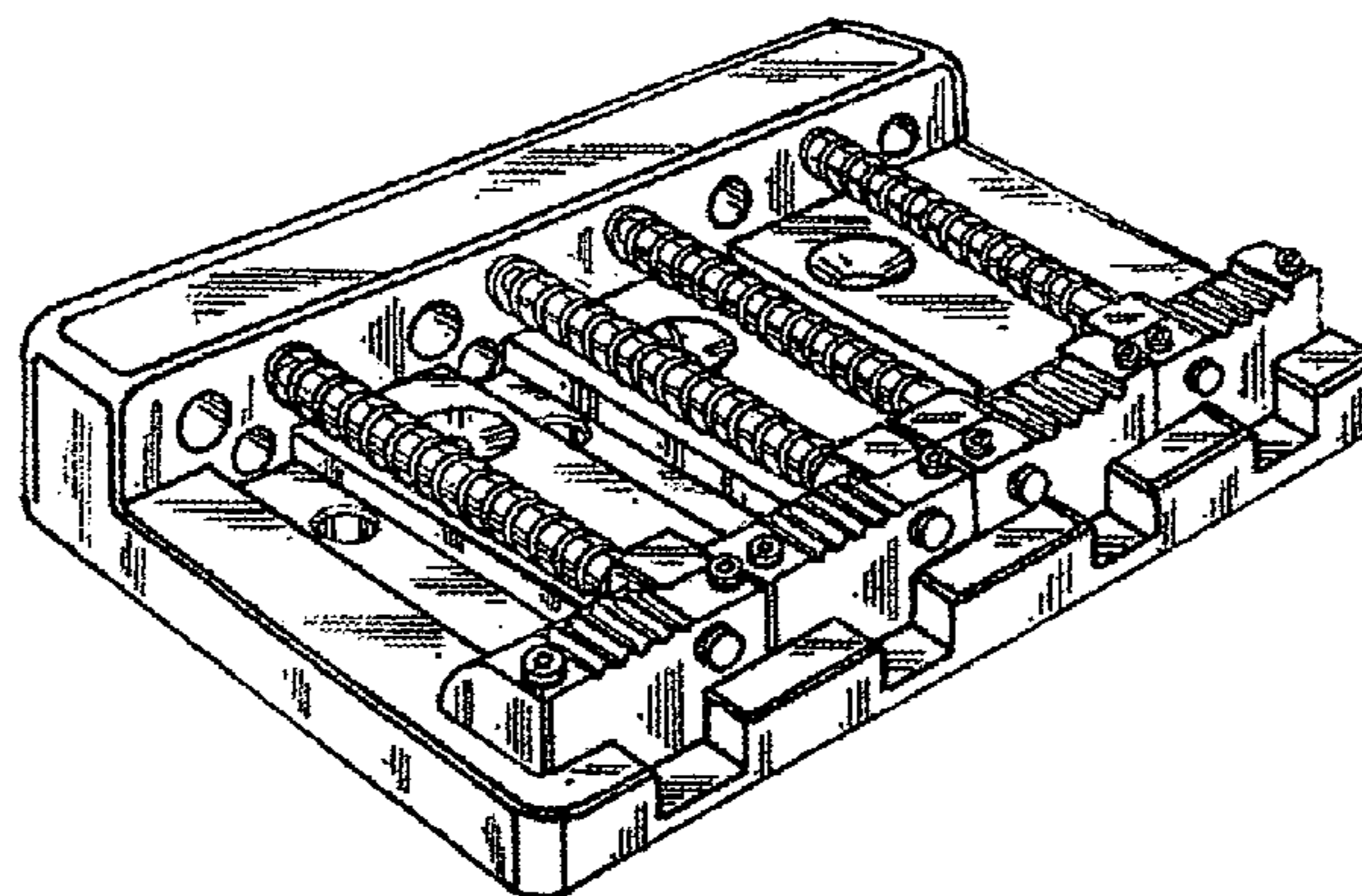
FIG. 5 is a front view thereof;

FIG. 6 is a rear view thereof;

FIG. 7 is a right side elevational view; and,

FIG. 8 is the bottom view of the device as shown in FIG. 2 thereof.

1 Claim, 3 Drawing Sheets



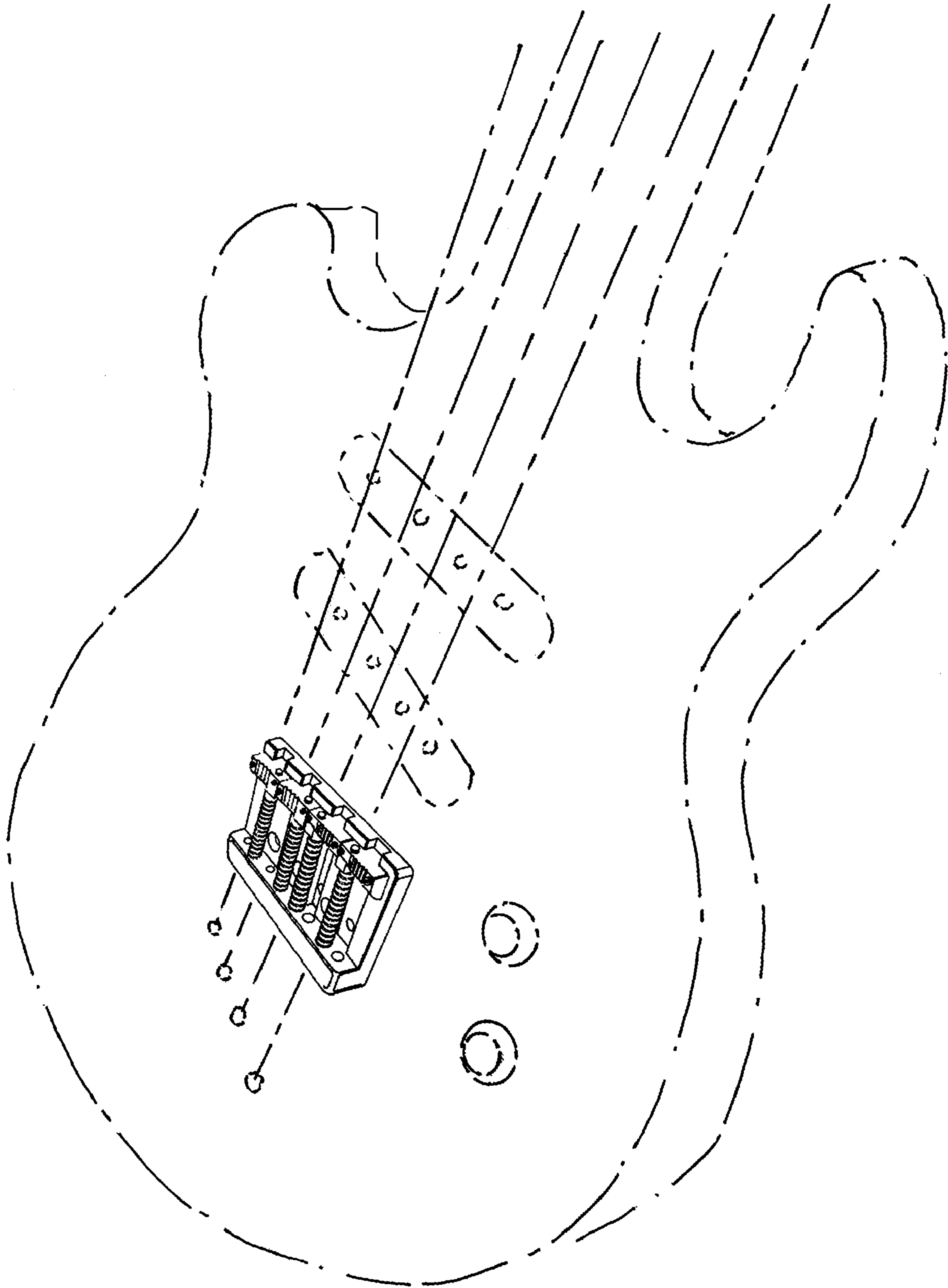


Fig. 1.

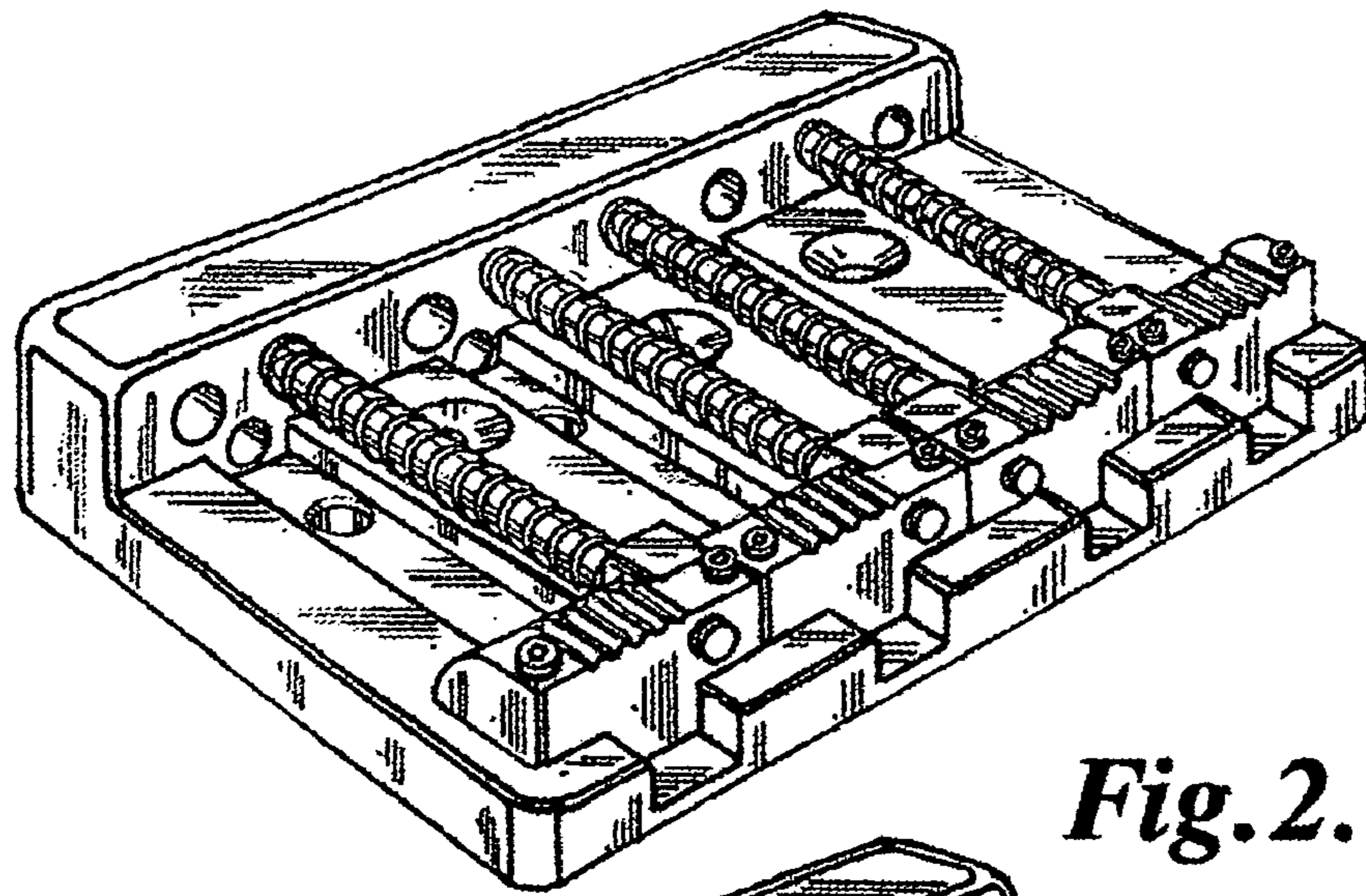


Fig. 2.

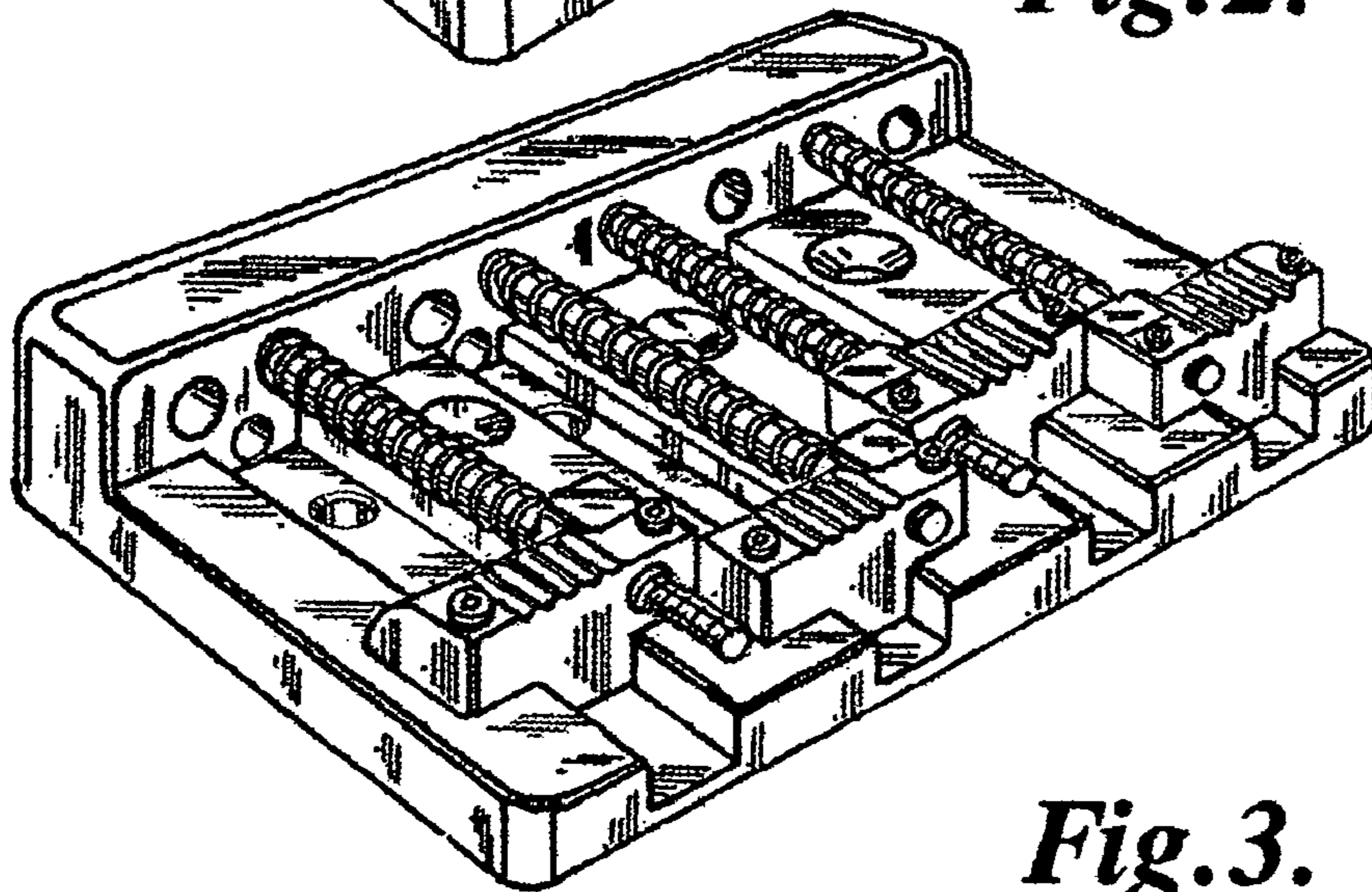


Fig. 3.

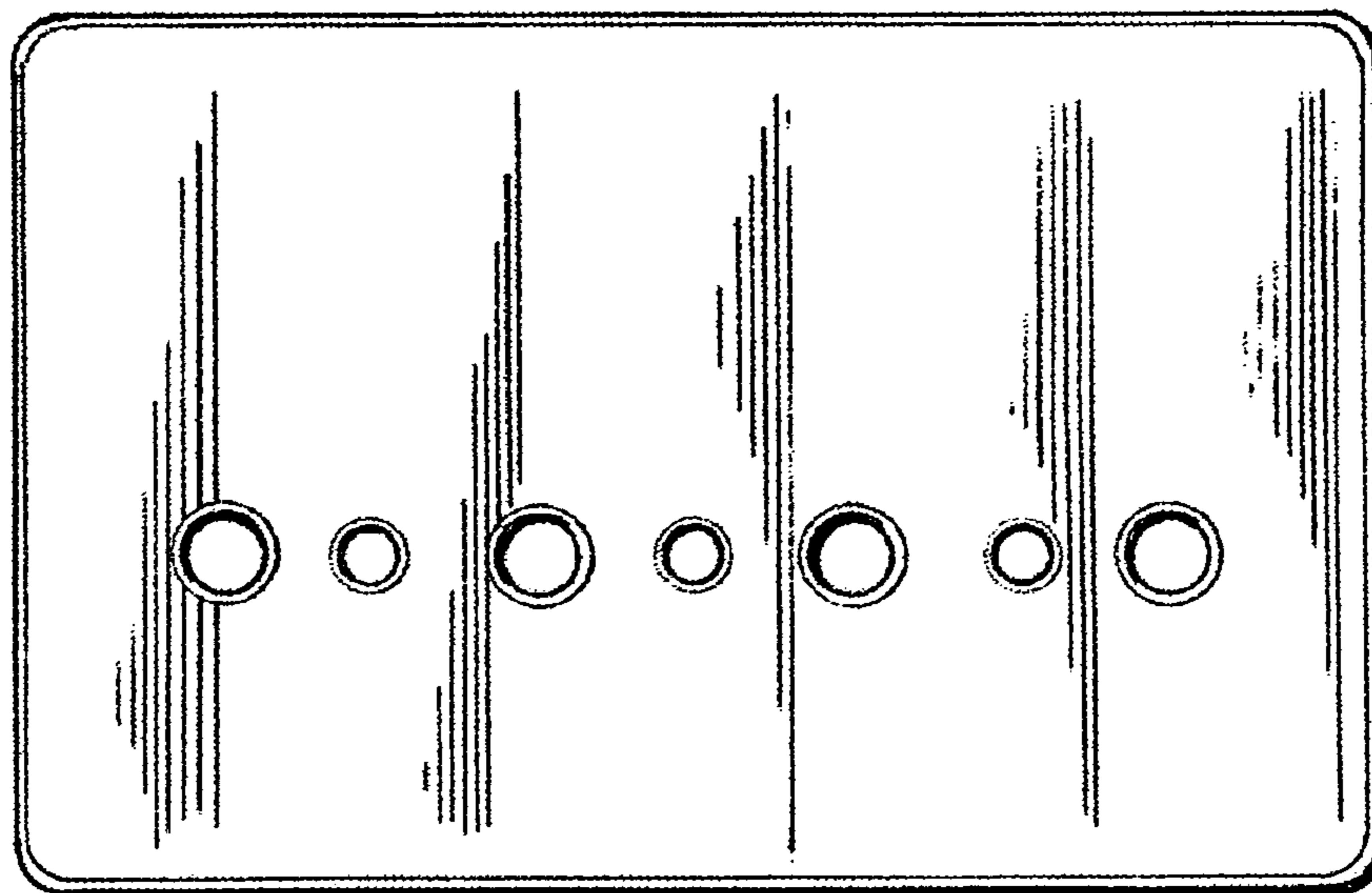


Fig. 8.

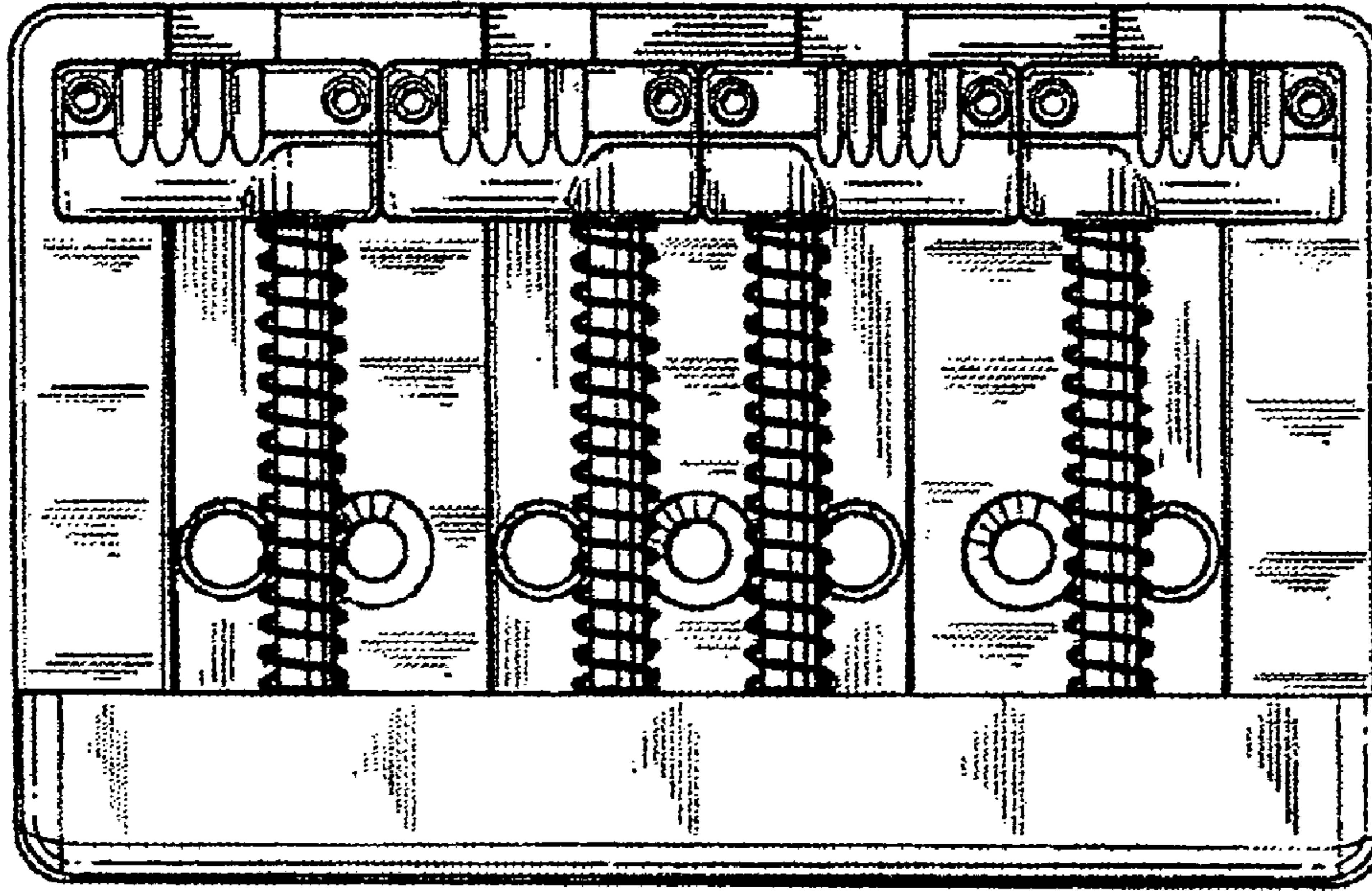


Fig. 4.

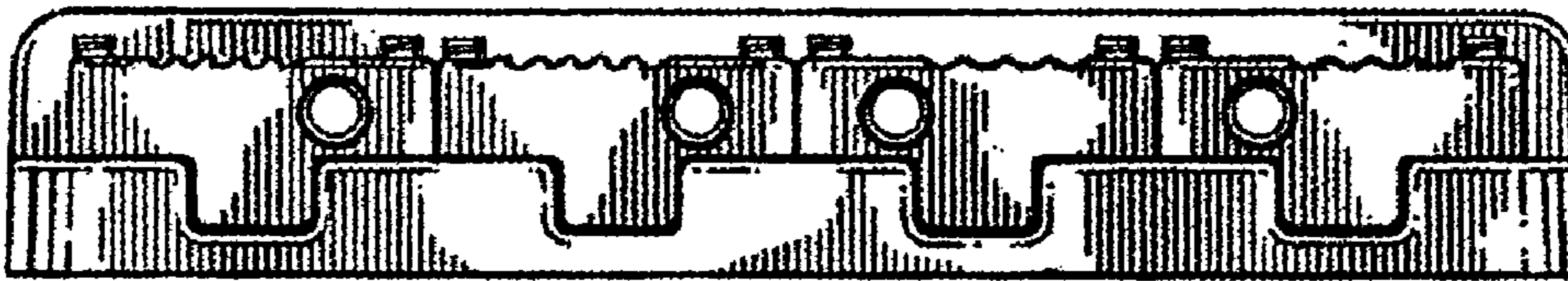


Fig. 5.

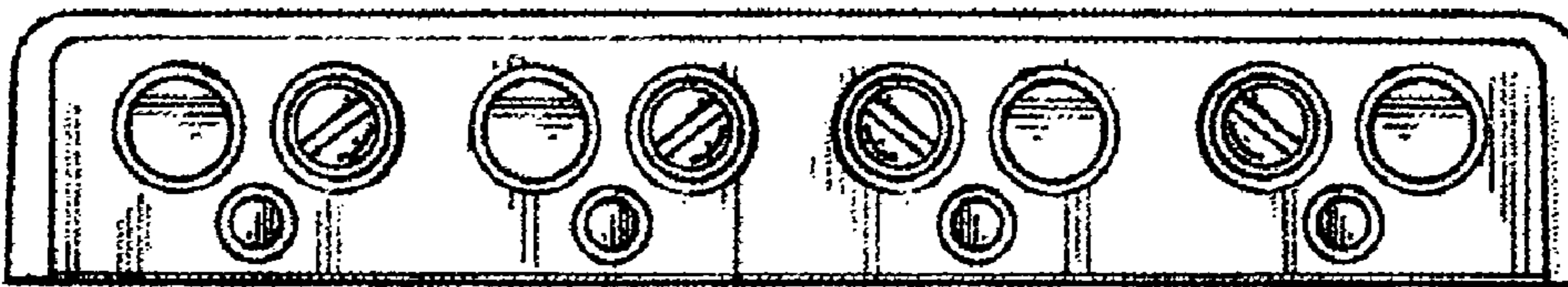


Fig. 6.

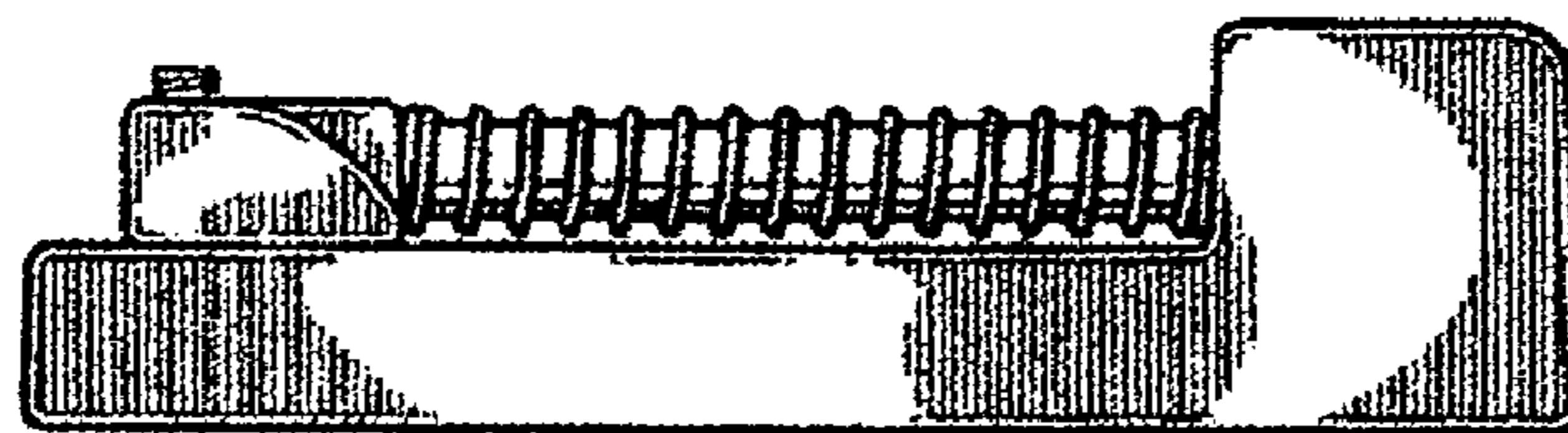


Fig. 7.