

US00D570396S

(12) **United States Design Patent**
Foddis

(10) **Patent No.:** **US D570,396 S**

(45) **Date of Patent:** **** Jun. 3, 2008**

(54) **CAMERA MOUNT**

(76) Inventor: **Ulisse Foddis**, Illertalstr, 1, D-89281
Altenstadt (DE)

(**) Term: **14 Years**

(21) Appl. No.: **29/273,898**

(22) Filed: **Mar. 15, 2007**

(30) **Foreign Application Priority Data**

Sep. 15, 2006 (EM) 000589064

(51) **LOC (8) Cl.** **16-05**

(52) **U.S. Cl.** **D16/242**

(58) **Field of Classification Search** D16/237,
D16/239, 242, 244-245, 250; 248/176.1,
248/177.1, 187.1, 917-918, 121, 535; 396/419,
396/425, 428, 421, 535, 422; 352/242-243
See application file for complete search history.

(56) **References Cited**

U.S. PATENT DOCUMENTS

D144,406 S *	4/1946	McClellan	D16/242
D226,135 S *	1/1973	Horn et al.	D16/242
D308,389 S *	6/1990	Horn et al.	D16/242
D313,030 S *	12/1990	Morton	D16/242
D480,411 S *	10/2003	Smith	D16/242
6,793,415 B2 *	9/2004	Arbuckle	352/243
6,830,337 B2 *	12/2004	Angerpointner	352/243
6,969,033 B2 *	11/2005	van der Linden	248/177.1
7,068,927 B2 *	6/2006	Itzkowitz	396/421
D536,016 S *	1/2007	Dayan	D16/242

7,287,731 B2 * 10/2007 Johnson 248/177.1
2007/0081817 A1 * 4/2007 Soulvie 396/419

* cited by examiner

Primary Examiner—Charles A. Rademaker

Assistant Examiner—Wan Laymon

(74) *Attorney, Agent, or Firm*—Laurence A. Greenberg;
Werner H. Stemer; Ralph E. Locher

(57) **CLAIM**

The ornamental design for a camera mount, as shown and described.

DESCRIPTION

FIG. 1 is a front and top perspective view of a camera mount showing my new design;

FIG. 2 is a rear and top perspective thereof;

FIG. 3 is a front, top and right side perspective view thereof;

FIG. 4 is a front, top and left side perspective view thereof;

FIG. 5 is a rear and top perspective view thereof;

FIG. 6 is a front and top perspective view thereof, showing a left-mounted handle in an up-pivoted position;

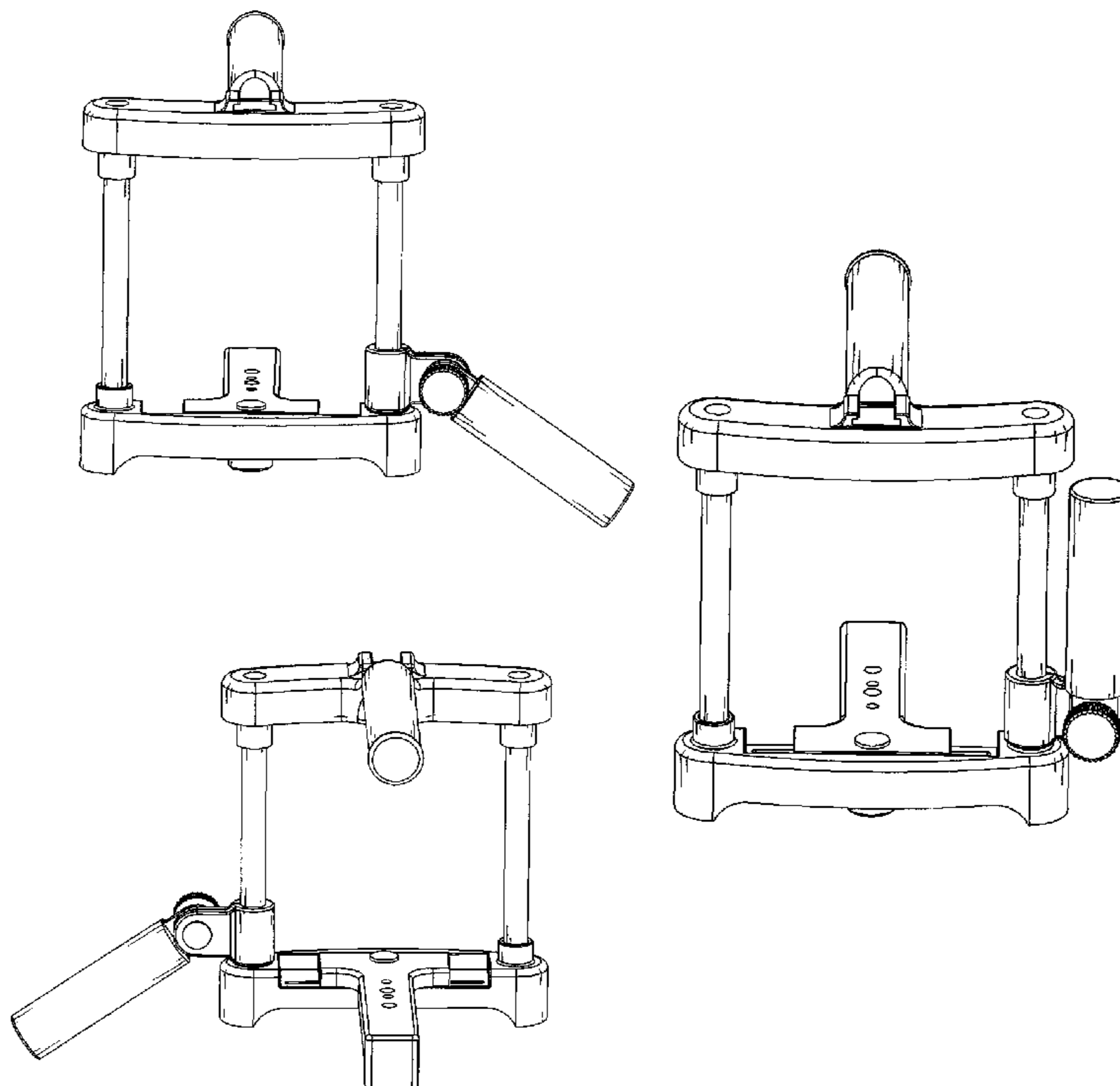
FIG. 7 is a rear and top perspective view thereof;

FIG. 8 is a front, top and right side perspective view thereof;

FIG. 9 is a front, top and left side perspective view thereof; and,

FIG. 10 is a rear and top perspective view thereof.

1 Claim, 5 Drawing Sheets



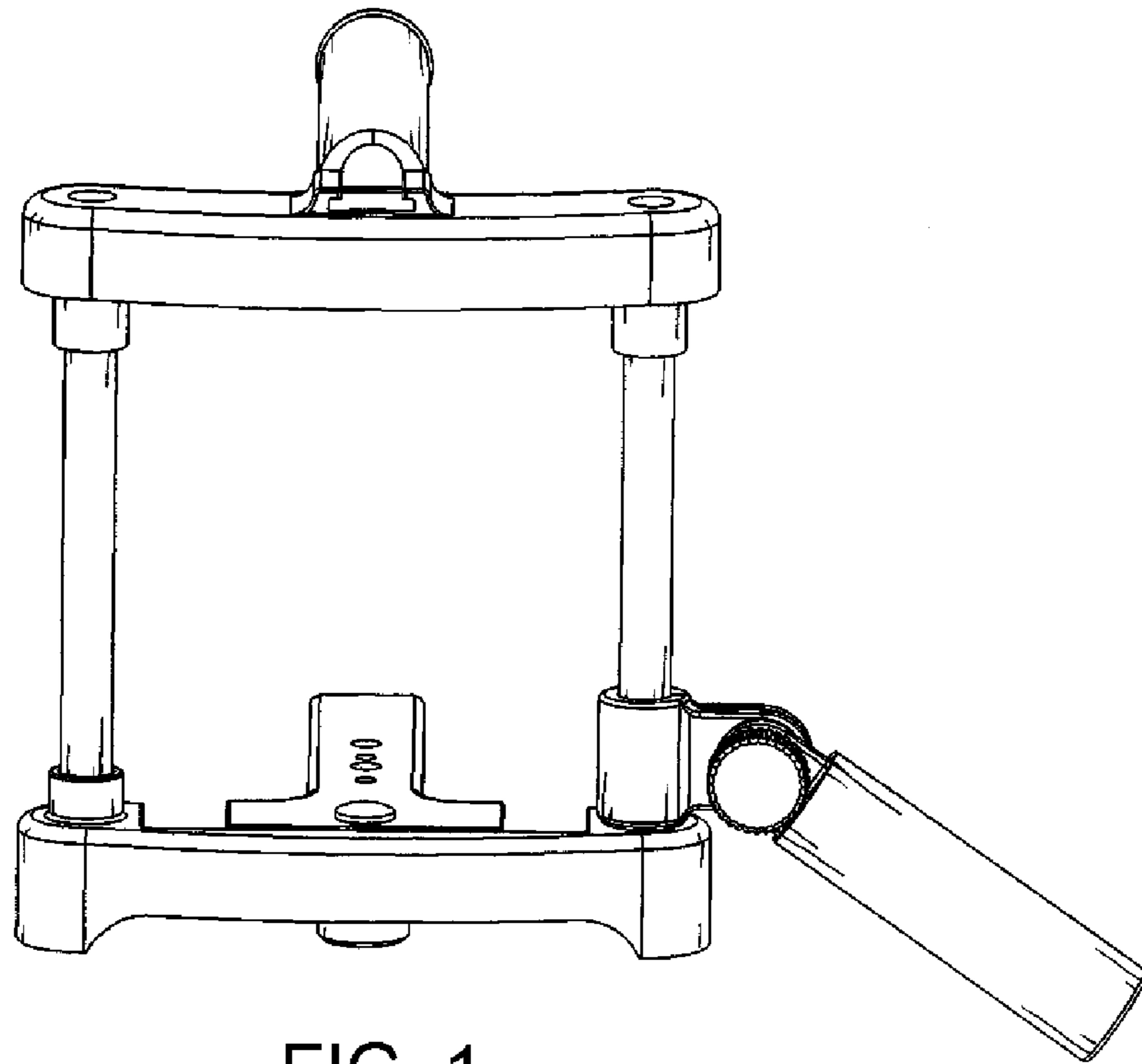


FIG. 1

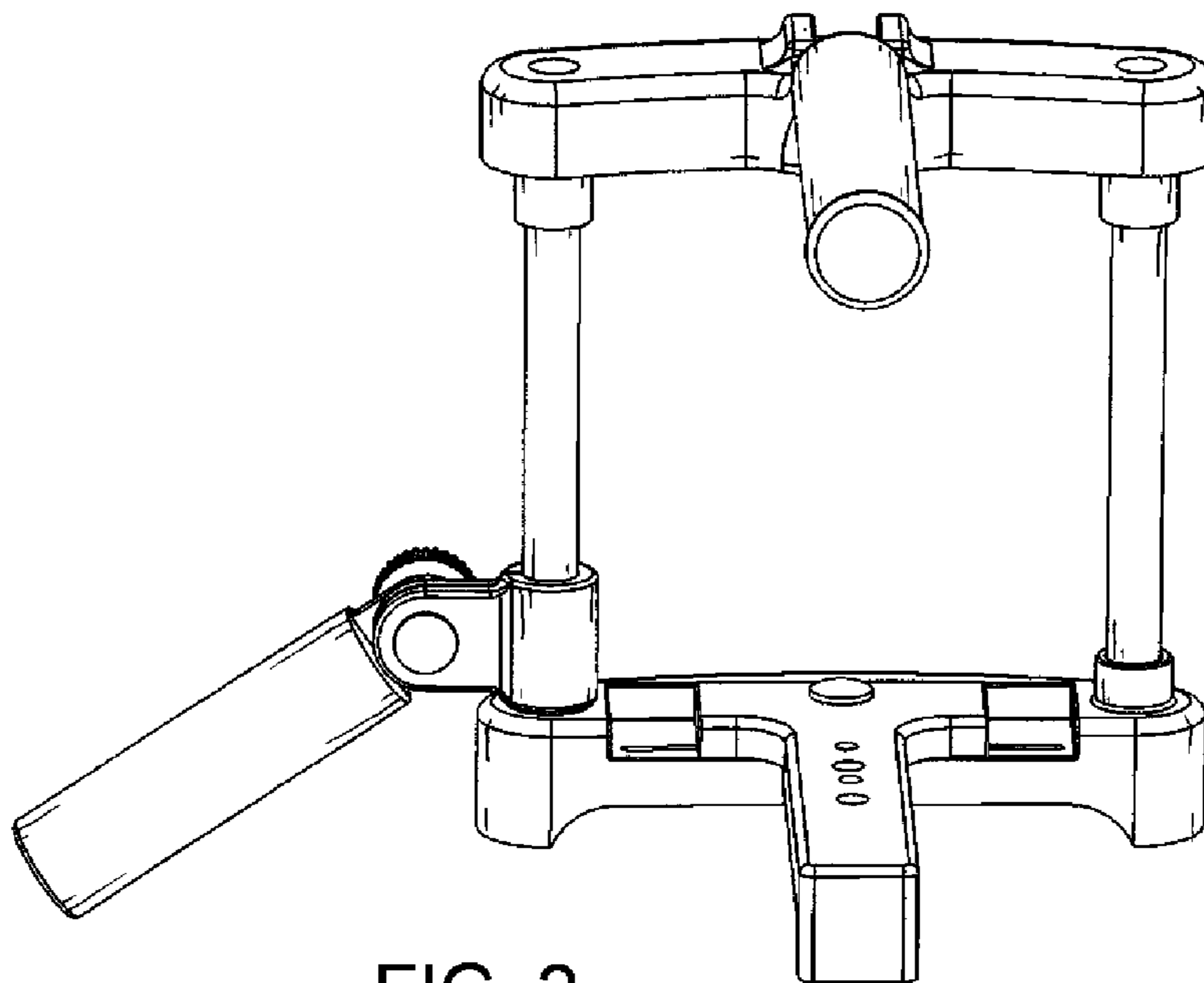


FIG. 2

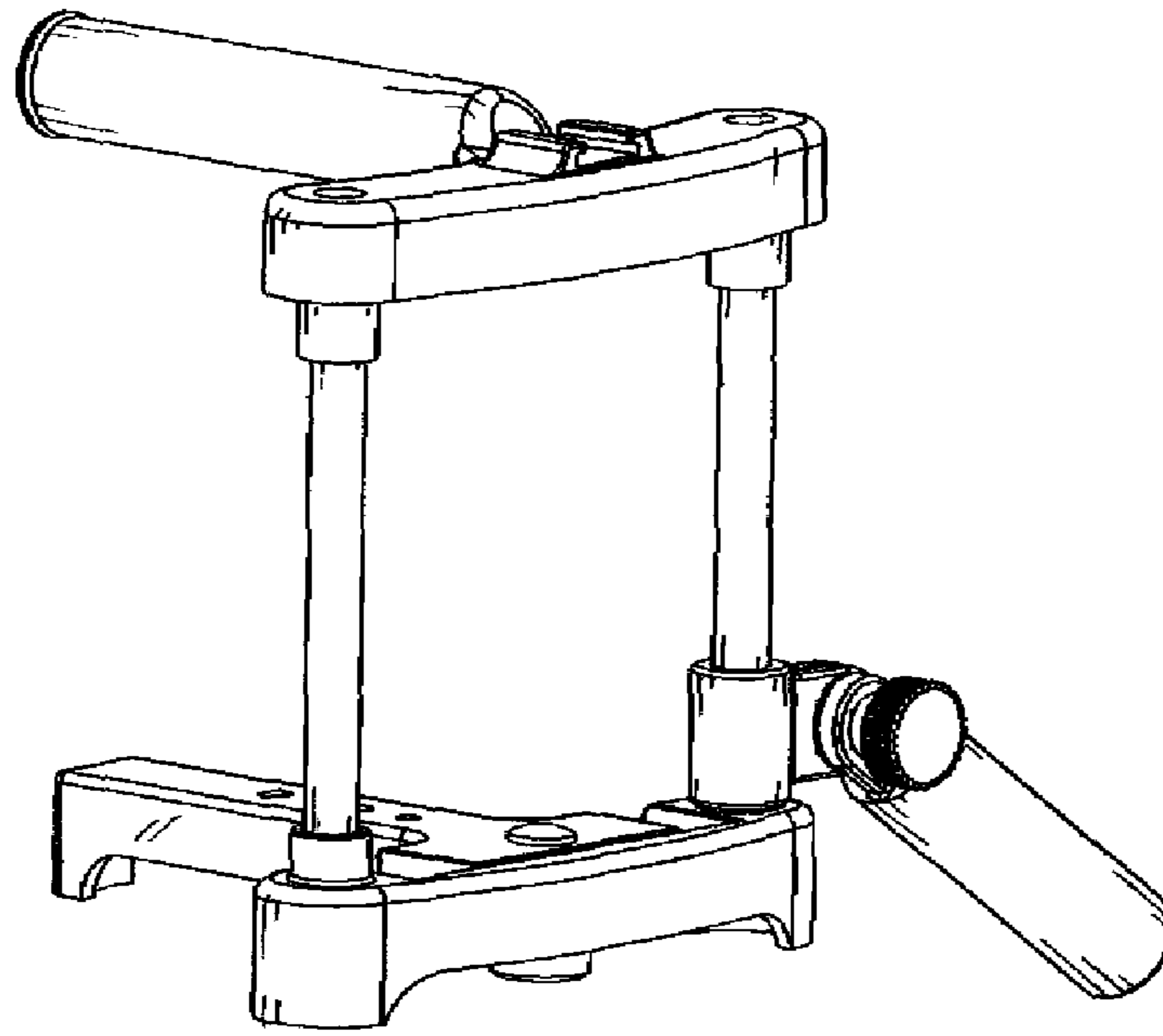


FIG. 3

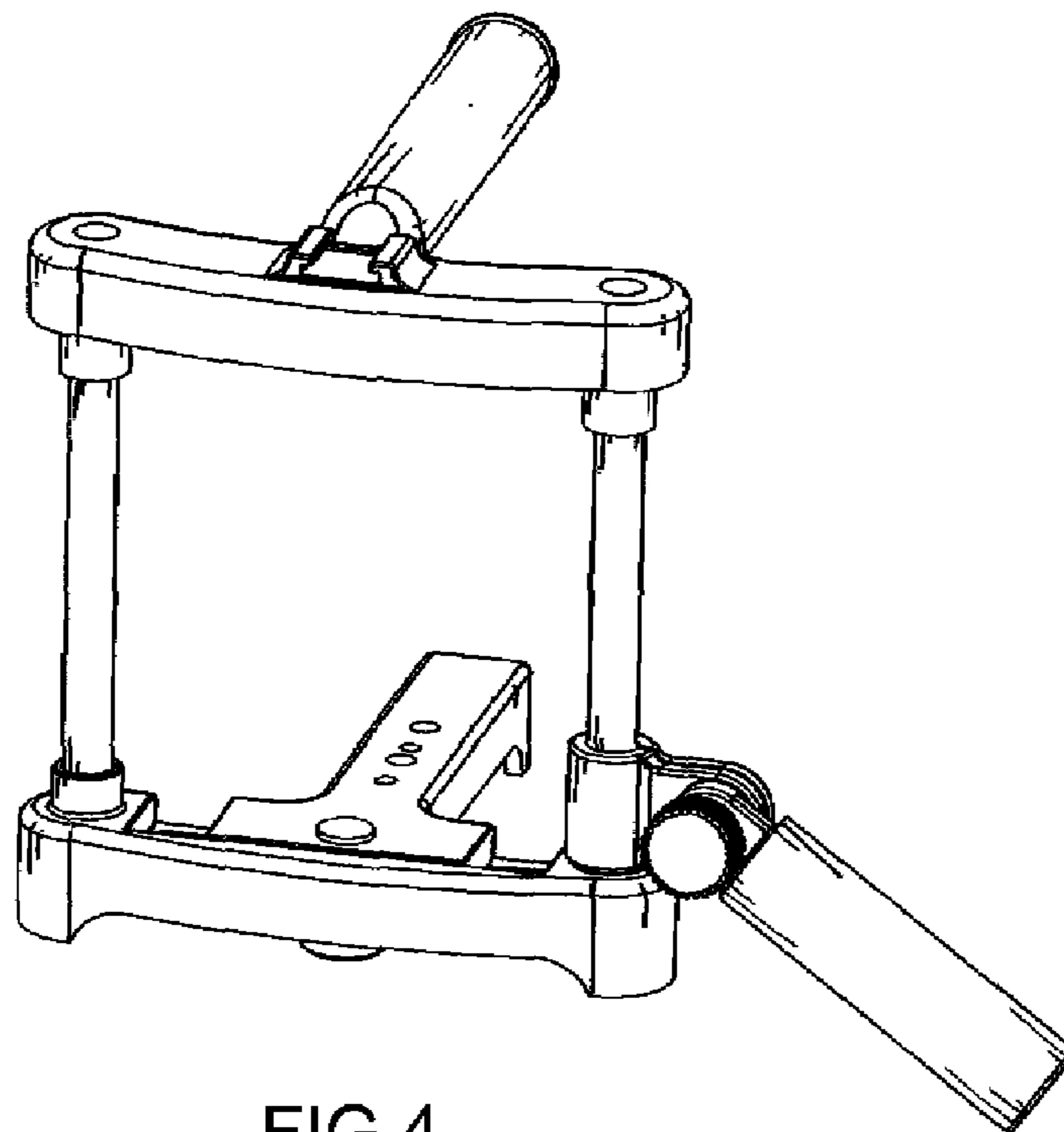


FIG 4

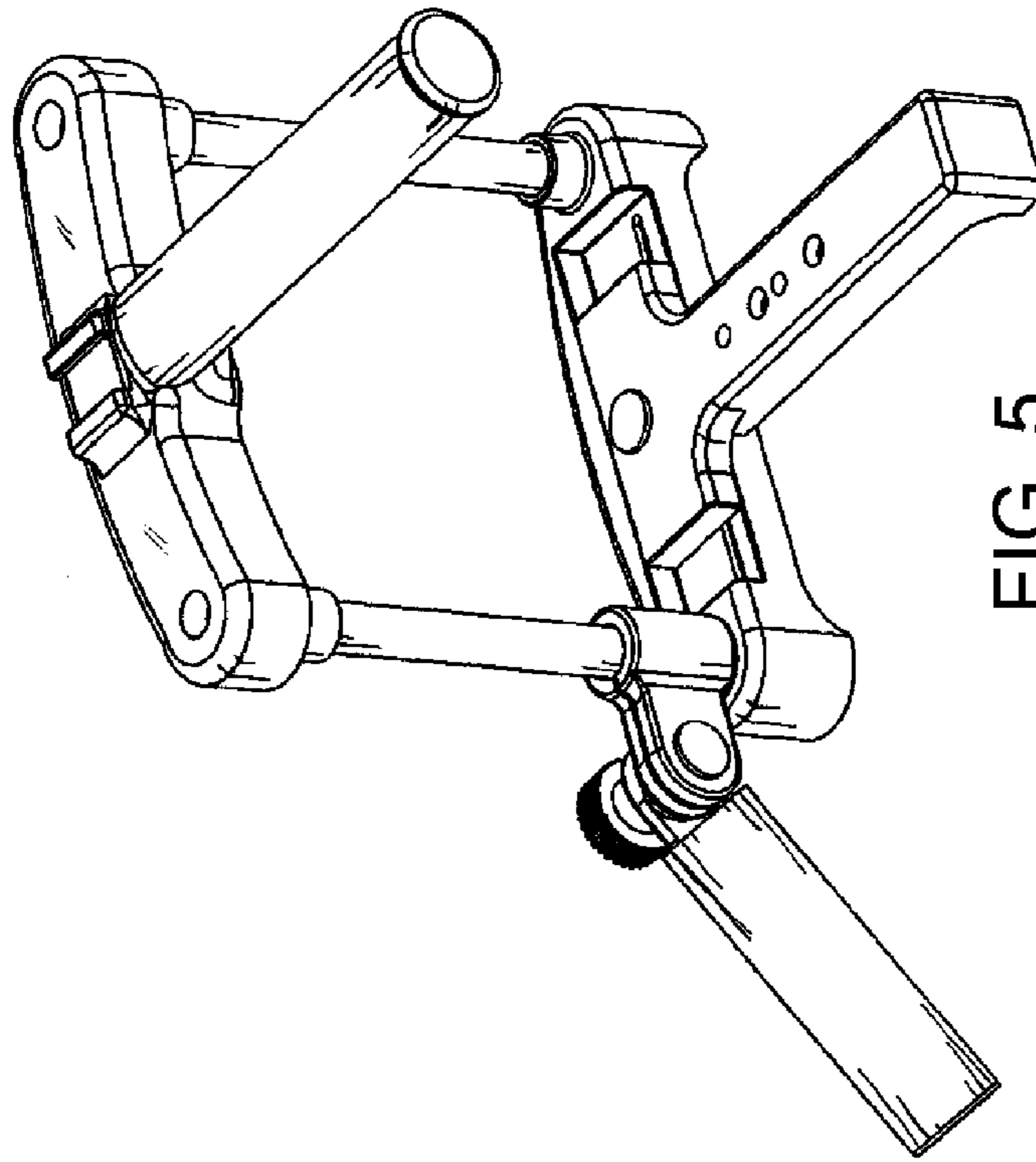


FIG. 5

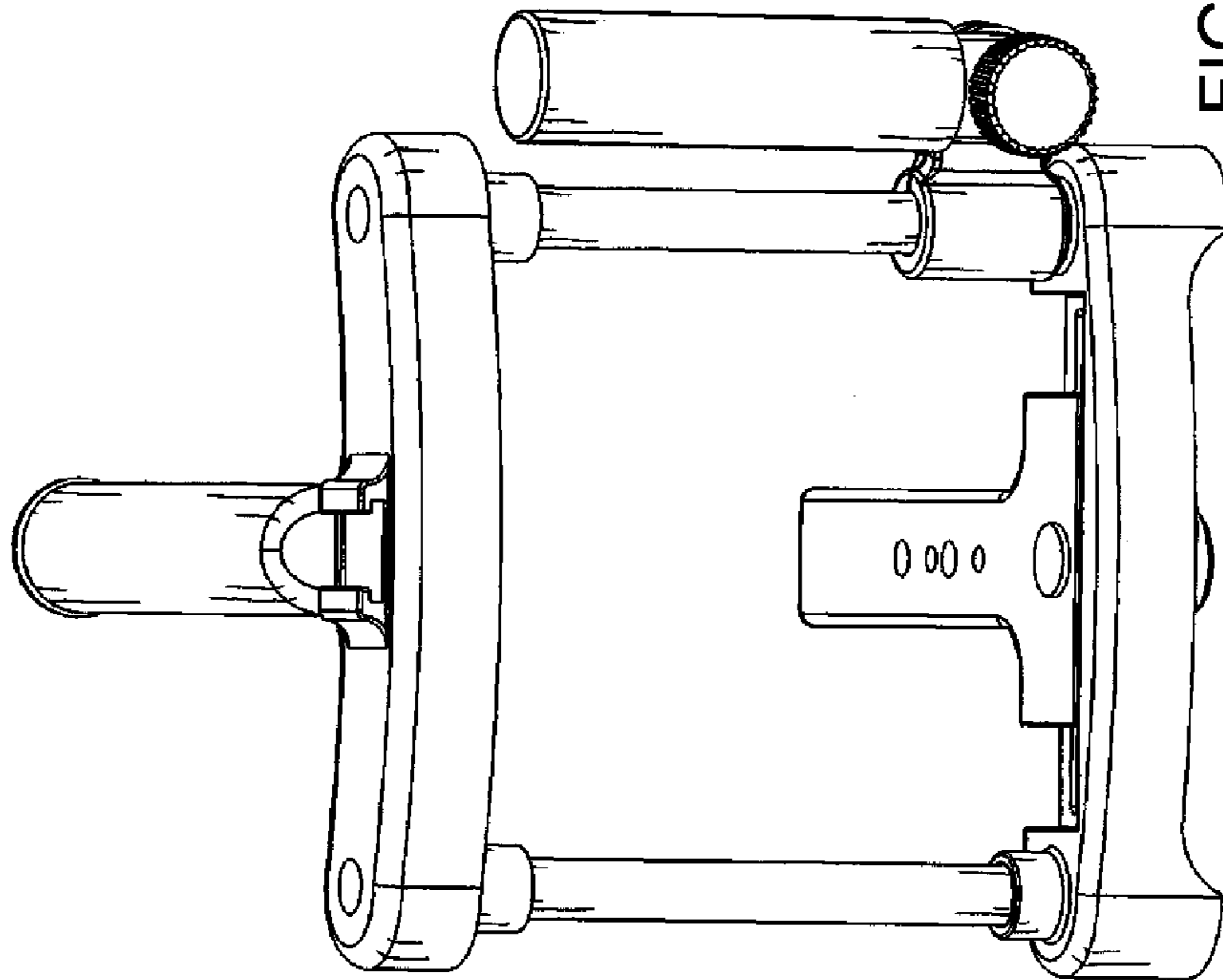


FIG. 6

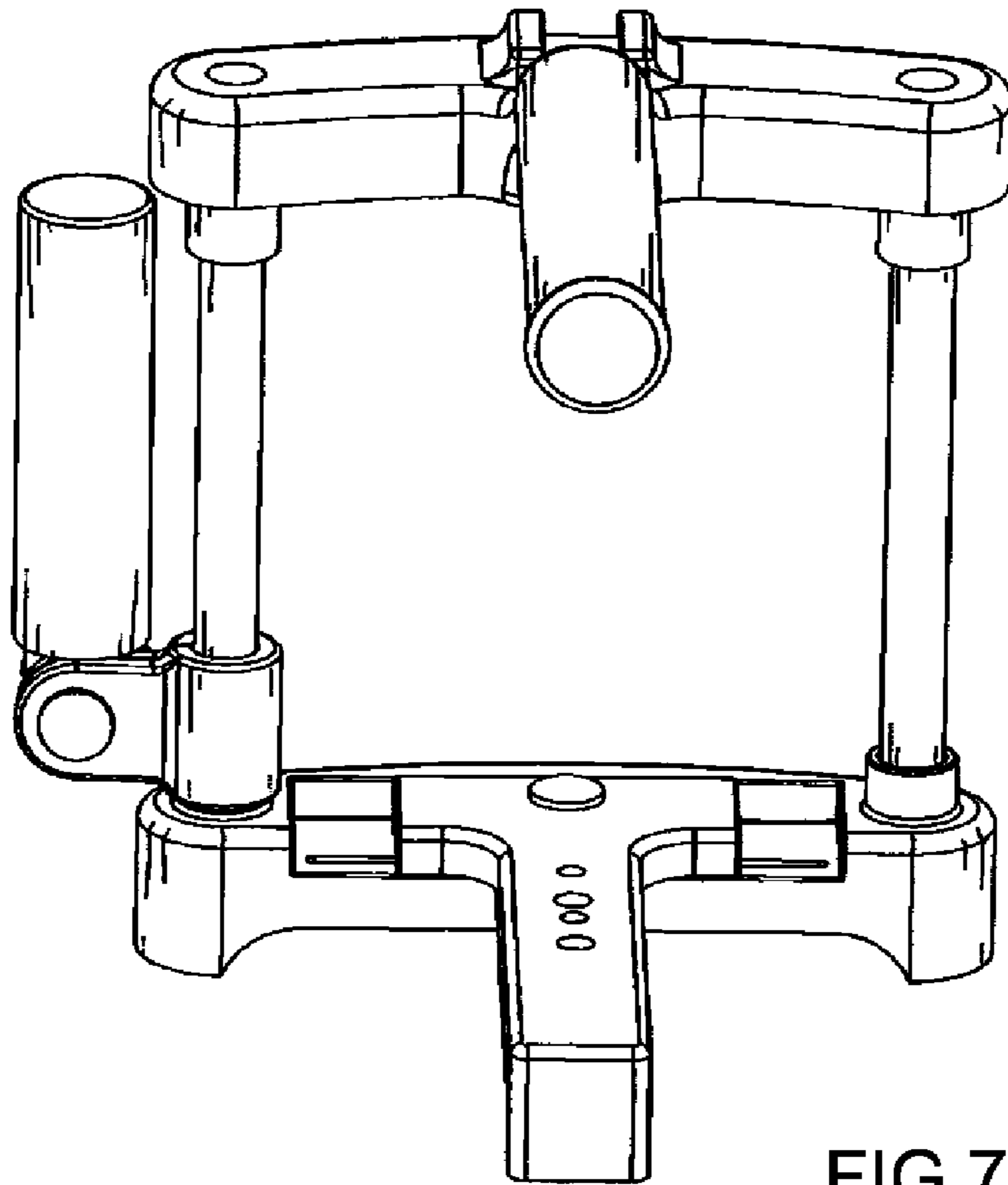


FIG. 7

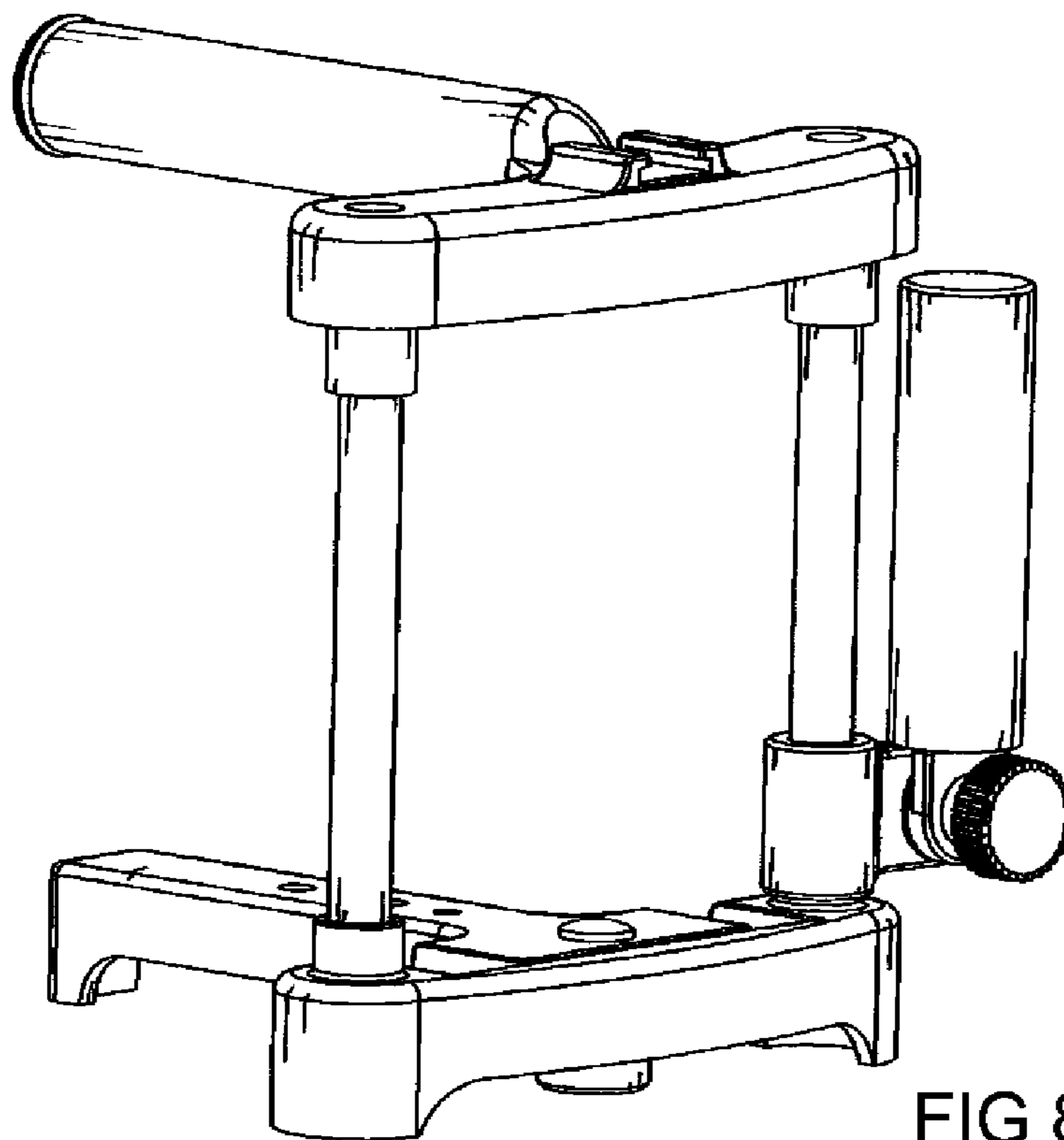


FIG 8

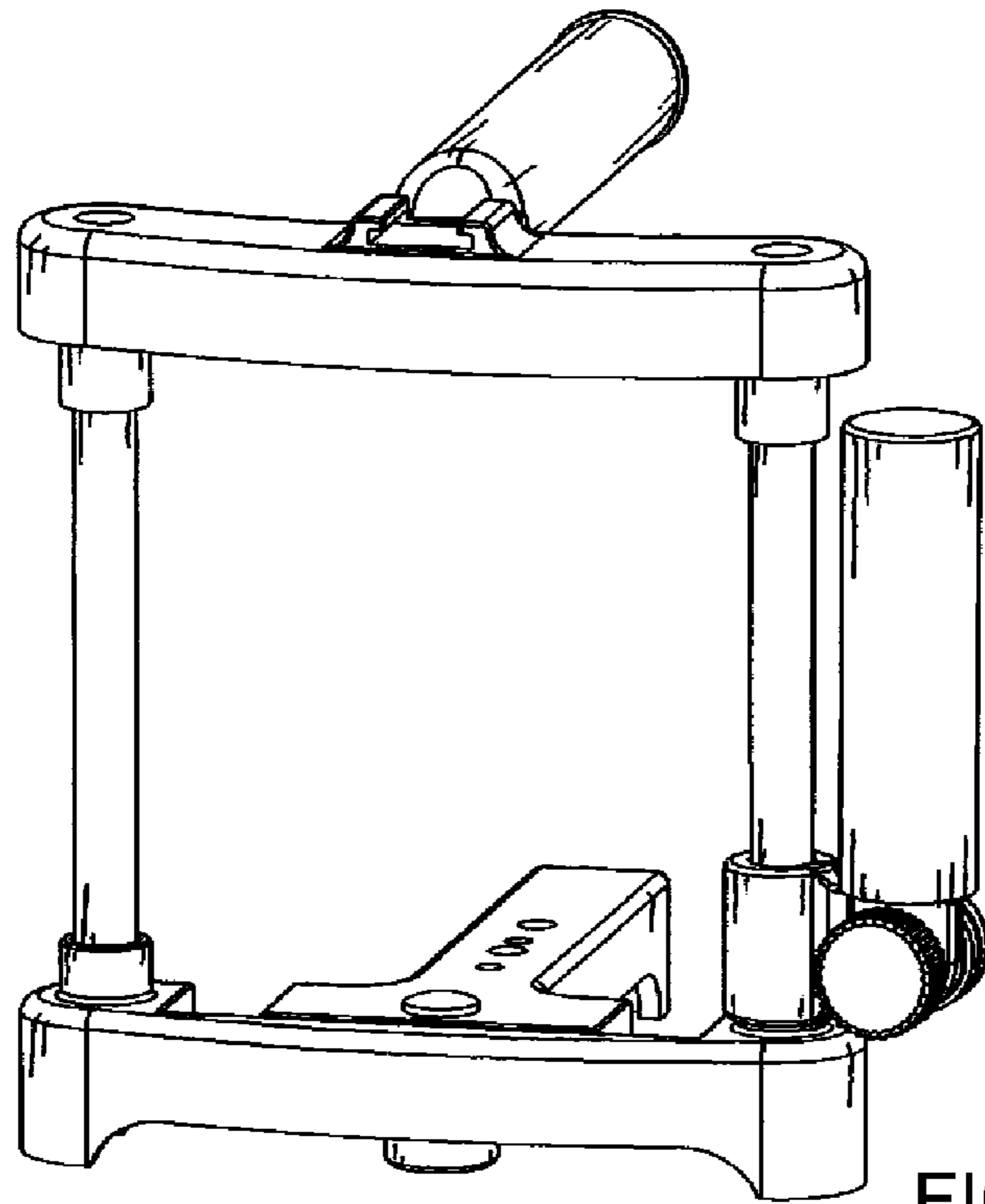


FIG. 9

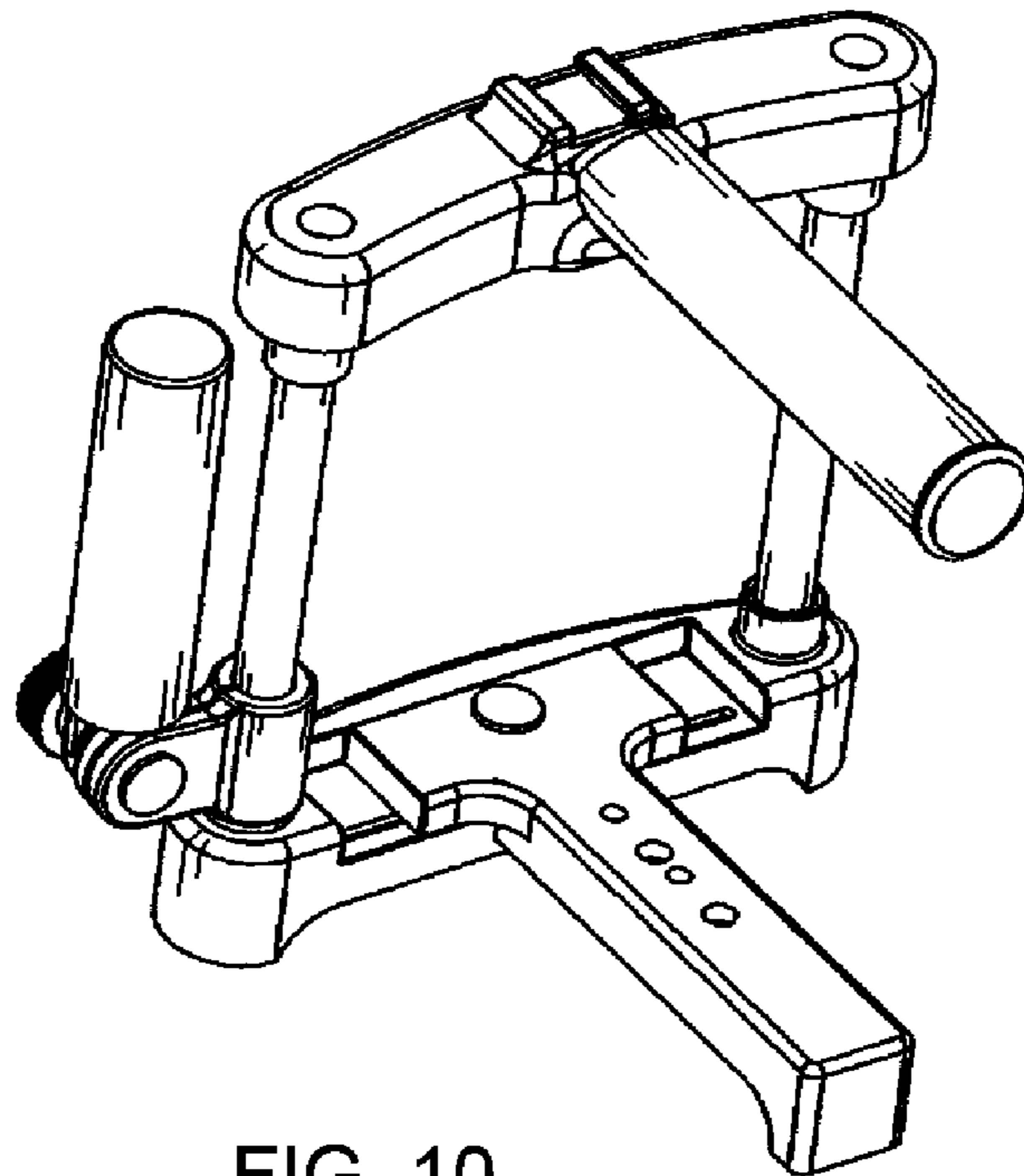


FIG. 10