

US00D570395S

(12) **United States Design Patent**
Kanno et al.

(10) **Patent No.:** **US D570,395 S**
(45) **Date of Patent:** **** Jun. 3, 2008**

(54) **LIGHTING DEVICE FOR CAMERA**

D502,488 S * 3/2005 Miyashita D16/240
2007/0047944 A1 * 3/2007 Hayashi et al. 396/155

(75) Inventors: **Ryuta Kanno**, Tokyo (JP); **Satoshi Masamitsu**, Tokyo (JP); **Hirohisa Tanaka**, Tokyo (JP)

OTHER PUBLICATIONS

Web page "HVL-FSL1B Cyber-shotrSlave Flash with Bracket HVL-FSL1B" http://www.sonystyle.com/is-bin/INTERSHOP.enfinity/eCS/Store/en/-/USD/SY_DisplayPro..., 1 sheet, Sony (Aug. 2006).

(73) Assignee: **Sony Corporation**, Tokyo (JP)

* cited by examiner

(**) Term: **14 Years**

Primary Examiner—Ian Simmons

(21) Appl. No.: **29/270,360**

Assistant Examiner—Wan Laymon

(22) Filed: **Dec. 21, 2006**

(74) *Attorney, Agent, or Firm*—Rader, Fishman & Grauer, PLLC

(30) **Foreign Application Priority Data**

Jul. 27, 2006 (JP) D2006-019803

(57) **CLAIM**

(51) **LOC (8) Cl.** **16-05**

The ornamental design for a lighting device for camera, as shown and described.

(52) **U.S. Cl.** **D16/240; D16/239**

(58) **Field of Classification Search** D16/200–205,
D16/237, 239, 240, 242, 245; D26/24, 72,
D26/113, 37–39, 41; 362/3, 11, 16–18, 8,
362/611; 396/155, 176, 180, 182, 28, 189–199,
396/174

DESCRIPTION

See application file for complete search history.

FIG. 1 is a perspective view of a lighting device for camera showing our new design;

FIG. 2 is a front elevational view thereof;

FIG. 3 is a rear elevational view thereof;

FIG. 4 is a left side elevational view thereof;

FIG. 5 is a right side elevational view thereof;

FIG. 6 is a top plan view thereof; and,

FIG. 7 is a bottom plan view thereof.

Portions of FIGS. 1–7 that are shown as broken lines are for illustrative purpose only and form no part of the claimed design.

(56) **References Cited**

U.S. PATENT DOCUMENTS

D271,306 S * 11/1983 Shull D16/240
D273,013 S * 3/1984 Takematsu D16/240
D297,571 S * 9/1988 Mann D26/37
D303,266 S * 9/1989 Kato D16/239
D318,679 S * 7/1991 Tanaka et al. D16/239
D422,293 S 4/2000 Harata
D443,086 S * 5/2001 van Klinken D26/37
D453,351 S * 2/2002 Kitera D16/240
D470,518 S * 2/2003 Su et al. D16/202

1 Claim, 7 Drawing Sheets

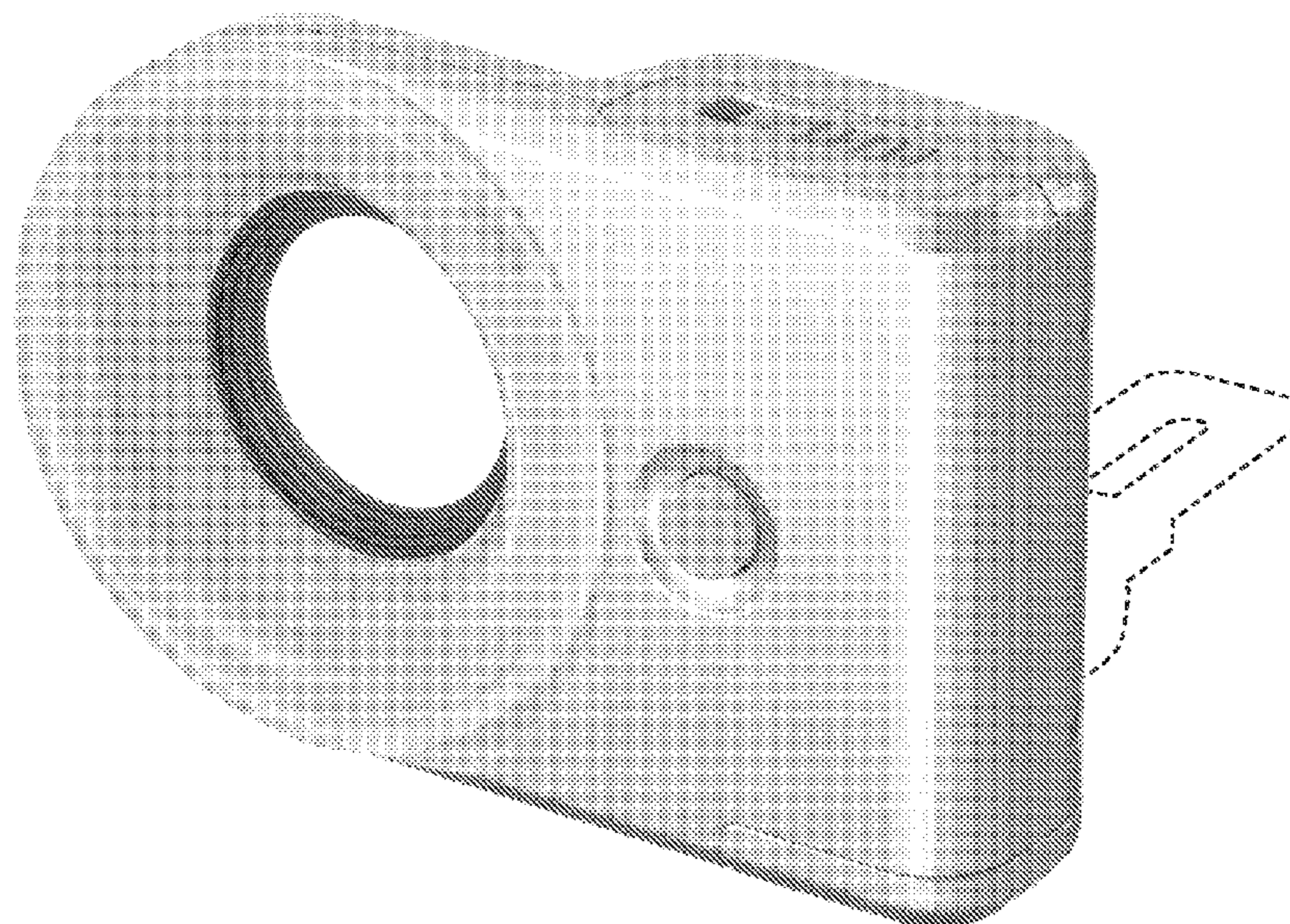


Fig. 1



Fig.2

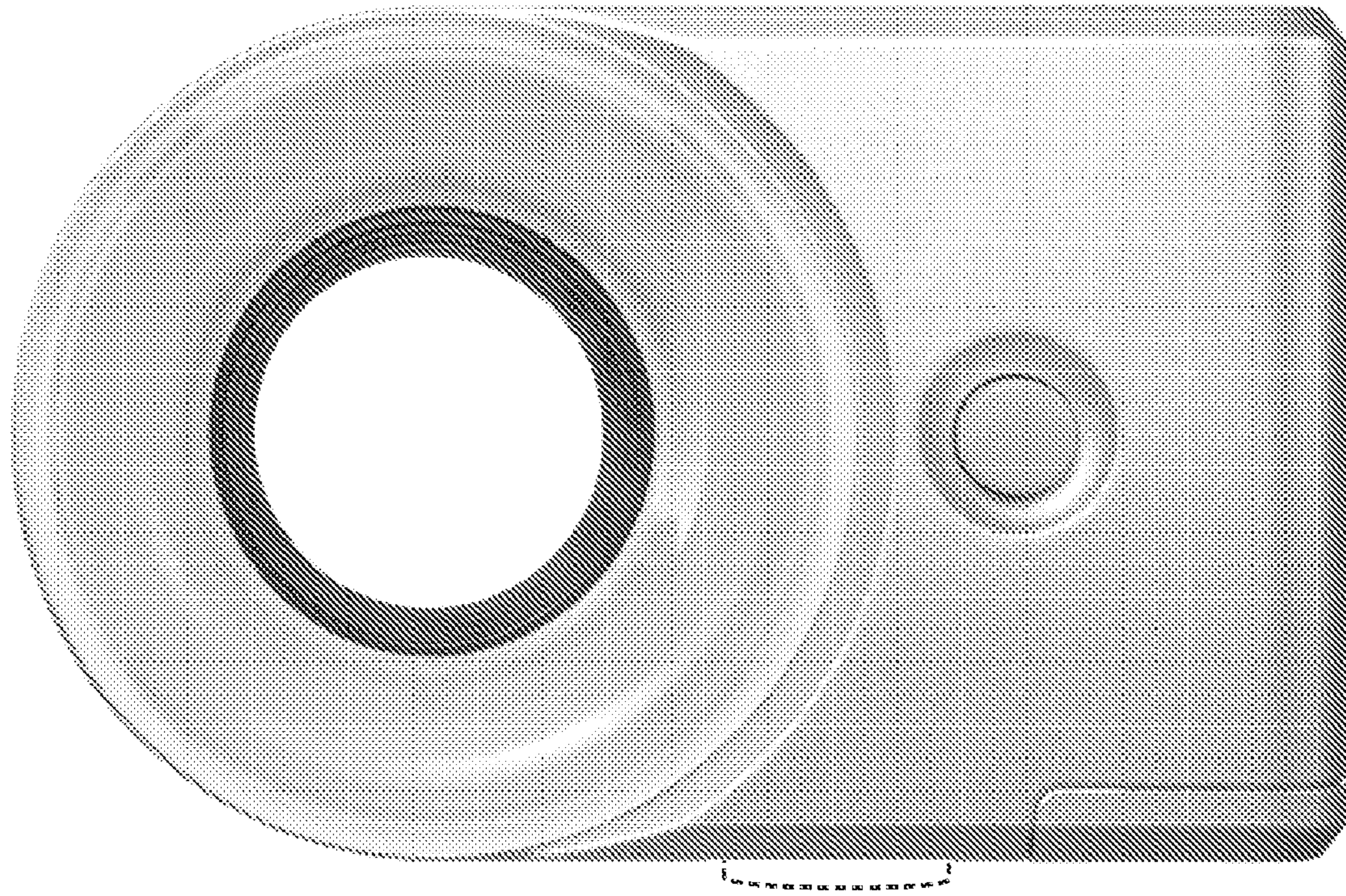


Fig.3

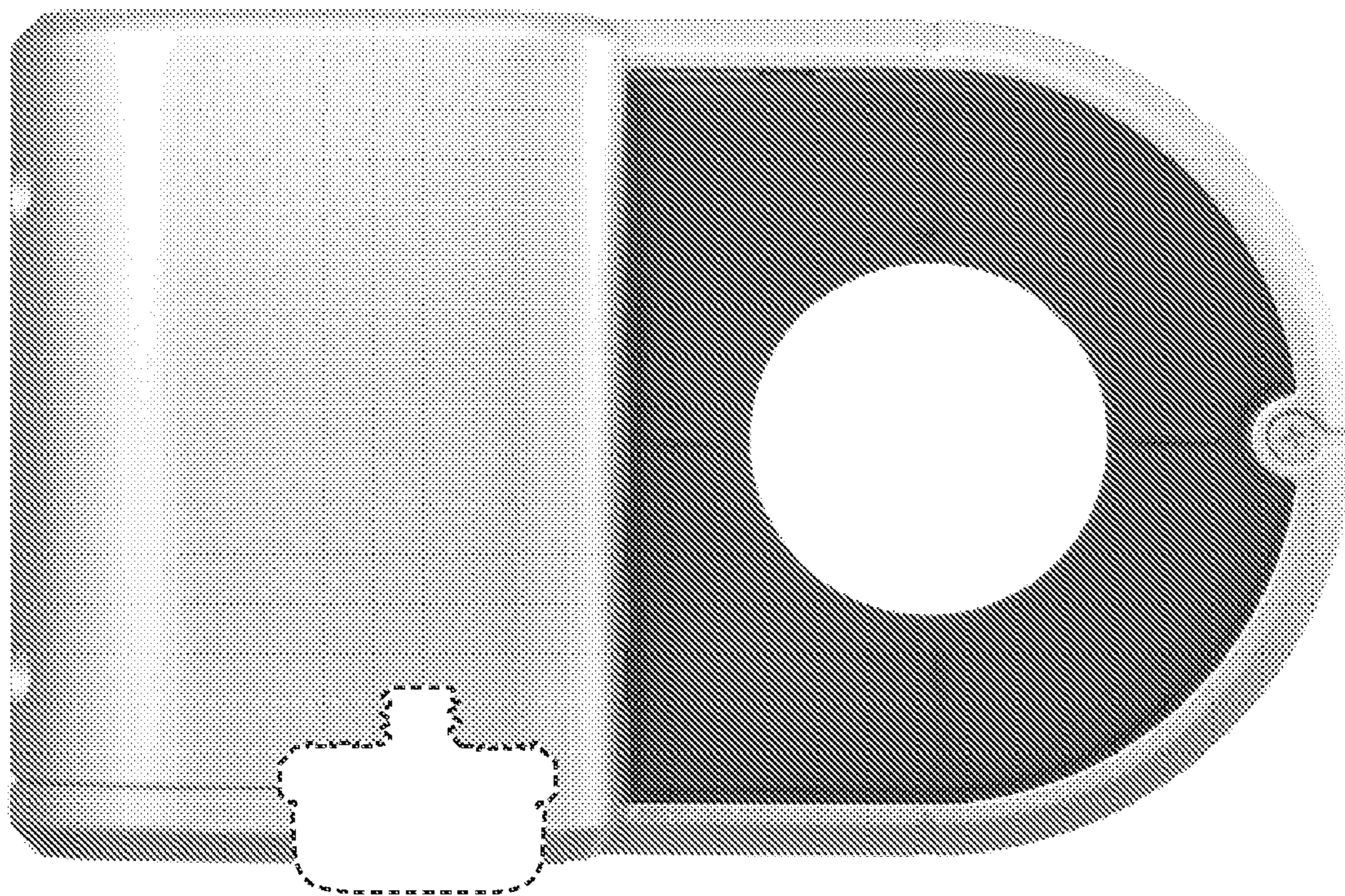


Fig.4

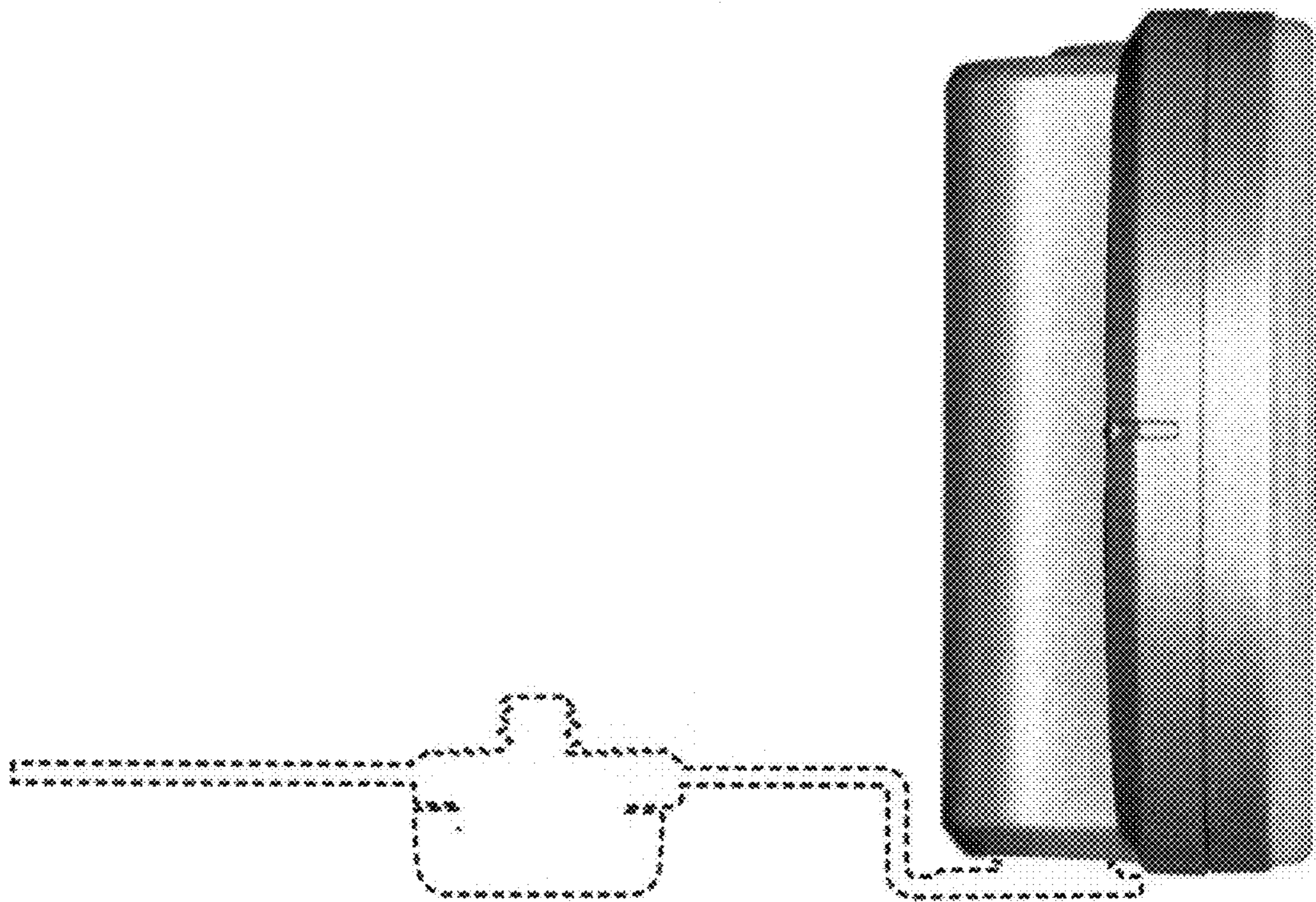


Fig.5

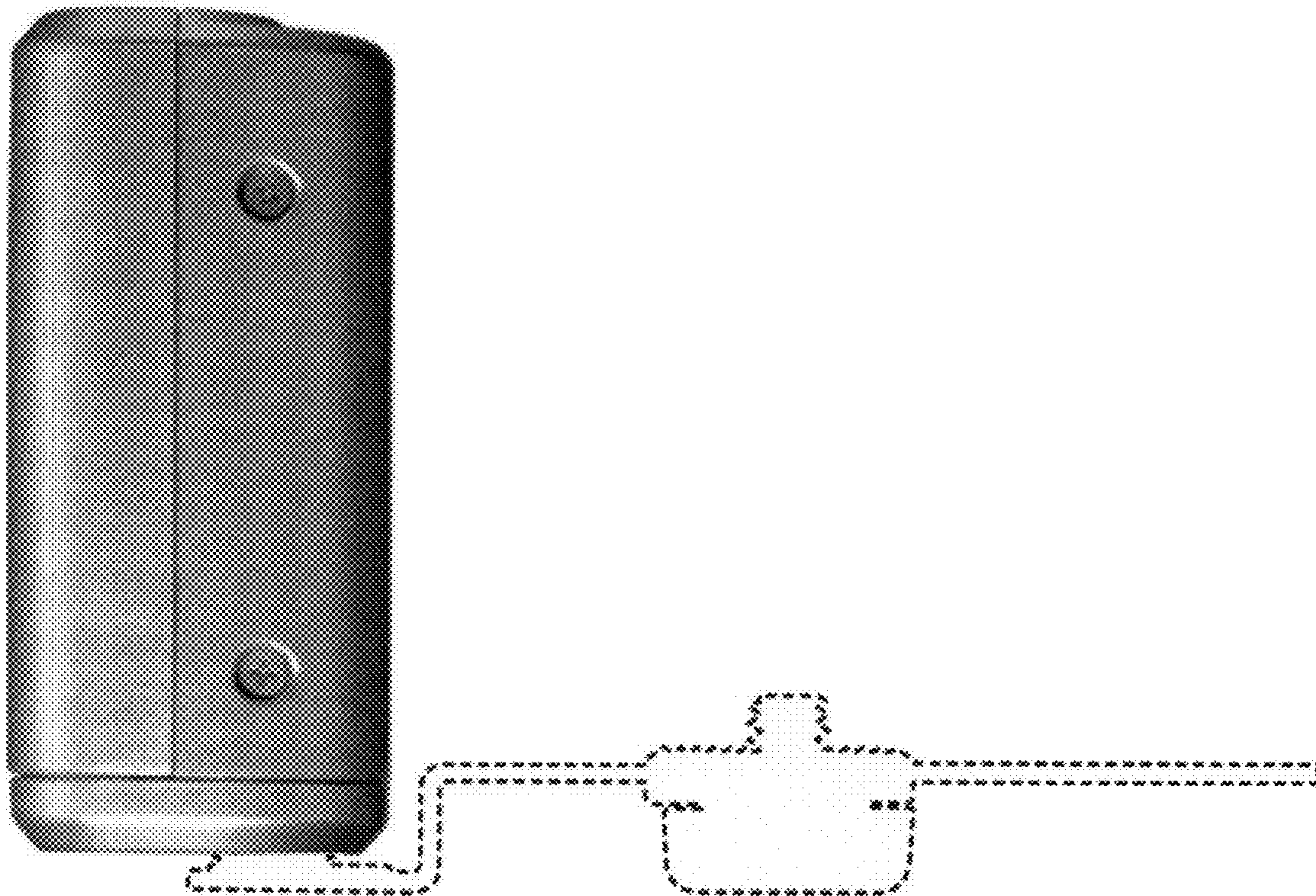


Fig.6

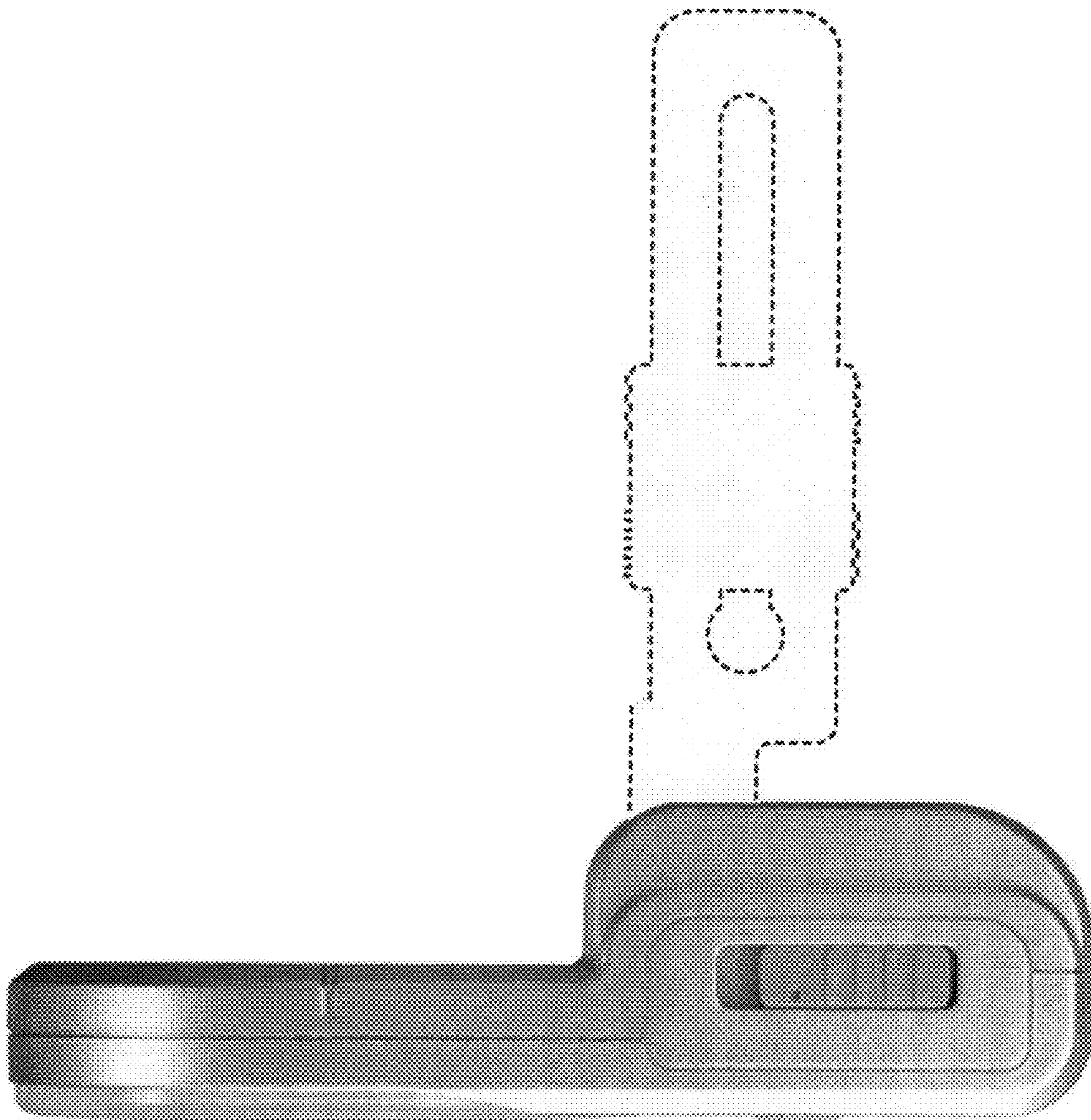


Fig.7

