

US00D570394S

(12) **United States Design Patent** (10) **Patent No.:** **US D570,394 S**
Dittmer et al. (45) **Date of Patent:** **** Jun. 3, 2008**

(54) **PROJECTOR MOUNT**

(75) Inventors: **Jay Dittmer**, Prior Lake, MN (US);
Paul Smith, Savage, MN (US)

(73) Assignee: **CSAV, Inc.**, Savage, MN (US)

(**) Term: **14 Years**

(21) Appl. No.: **29/259,359**

(22) Filed: **May 5, 2006**

(51) **LOC (8) Cl.** **16-02**

(52) **U.S. Cl.** **D16/235**

(58) **Field of Classification Search** D16/235,
D16/242, 245; D8/355, 363, 373, 380, 383;
352/243; 396/419, 426, 428, 427, 420-422;
248/519, 126, 323, 221.11, 523, 324, 527,
248/917, 924, 274.1, 284.1, 291.1; D14/238,
D14/214, 224

See application file for complete search history.

(56) **References Cited**

U.S. PATENT DOCUMENTS

4,080,629	A	3/1978	Hammond et al.	
4,225,881	A	9/1980	Tovi	
4,964,606	A	10/1990	Beam et al.	
D343,174	S *	1/1994	Watanabe D14/238
5,551,658	A	9/1996	Dittmer	
5,938,161	A	8/1999	Takeuchi et al.	
6,042,068	A	3/2000	Tcherny	
6,341,927	B2	1/2002	Hampson et al.	
6,527,238	B2	3/2003	Shental et al.	
6,595,379	B1	7/2003	Powell	
6,606,887	B1	8/2003	Zimmer et al.	
6,619,161	B1	9/2003	Blair	
6,708,940	B2	3/2004	Ligertwood	
7,156,359	B2 *	1/2007	Dittmer et al. 248/551

D539,636	S *	4/2007	Bremmon D8/363
D540,367	S *	4/2007	Dittmer D16/235
2003/0234335	A1 *	12/2003	Umberg 248/551
2004/0211872	A1	10/2004	Dittmer et al.	
2006/0284046	A1 *	12/2006	Umberg 248/551
2007/0034764	A1 *	2/2007	Dittmer et al. 248/324

OTHER PUBLICATIONS

Chief Manufacturing Inc., *RPA Series Projector Mount with All-Points™ Security System*, Chief Manufacturing Inc., Brochure, 2004, 4 pages.

* cited by examiner

Primary Examiner—Ian Simmons

Assistant Examiner—Wan Laymon

(74) *Attorney, Agent, or Firm*—Patterson, Thunte, Skaar & Christensen, PA

(57) **CLAIM**

The ornamental design for a projector mount, as shown and described.

DESCRIPTION

FIG. 1 is a front perspective view of a projector mount showing our new design;

FIG. 2 is a front perspective view thereof;

FIG. 3 is a rear elevation view thereof;

FIG. 4 is a top plan view thereof;

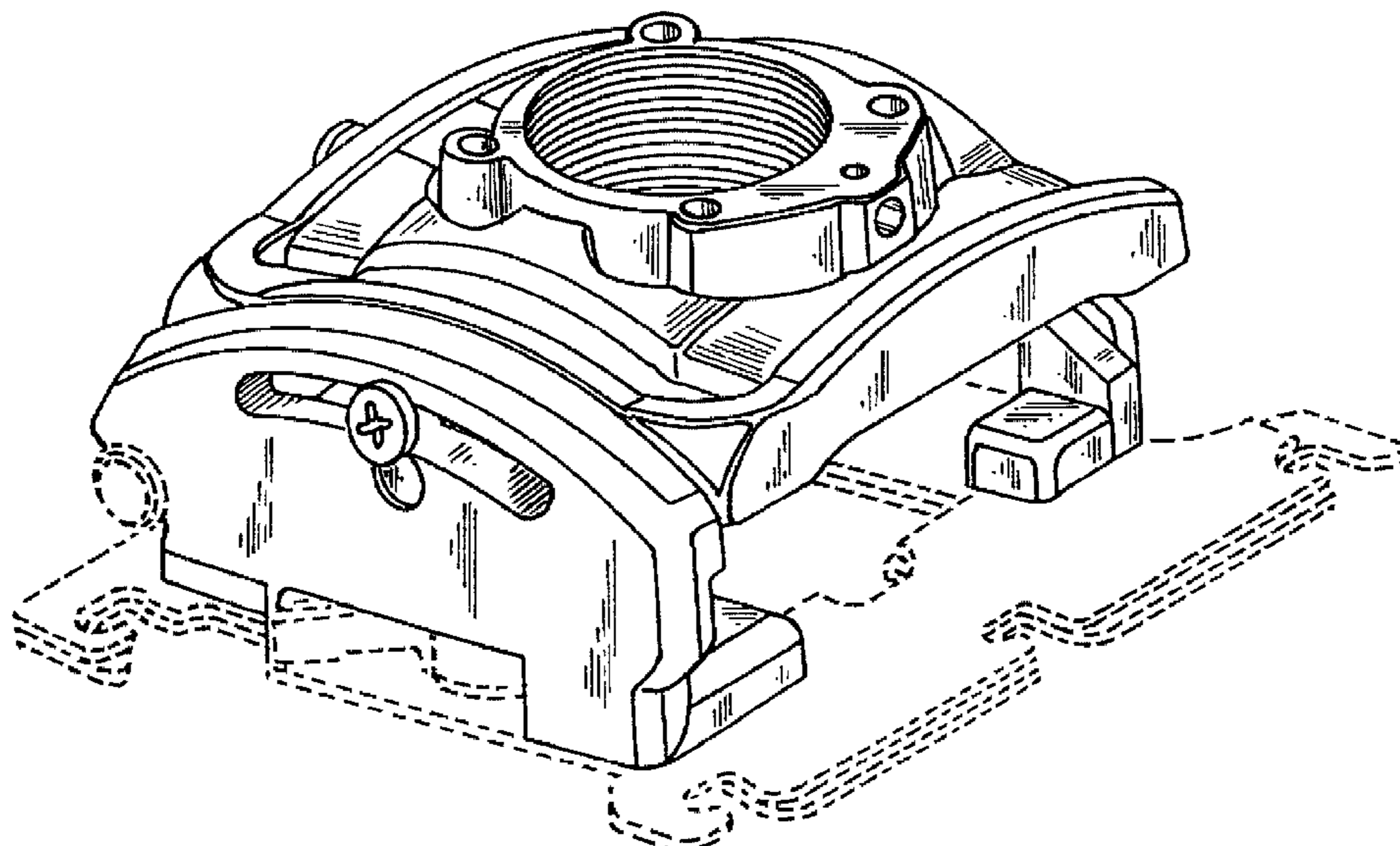
FIG. 5 is a side elevation view of FIG. 1 thereof;

FIG. 6 is a bottom plan view thereof; and,

FIG. 7 is a second side elevation view of FIG. 1 thereof.

The structures shown herein in broken lines are for illustrative purposes only and form no part of the claimed design.

1 Claim, 4 Drawing Sheets



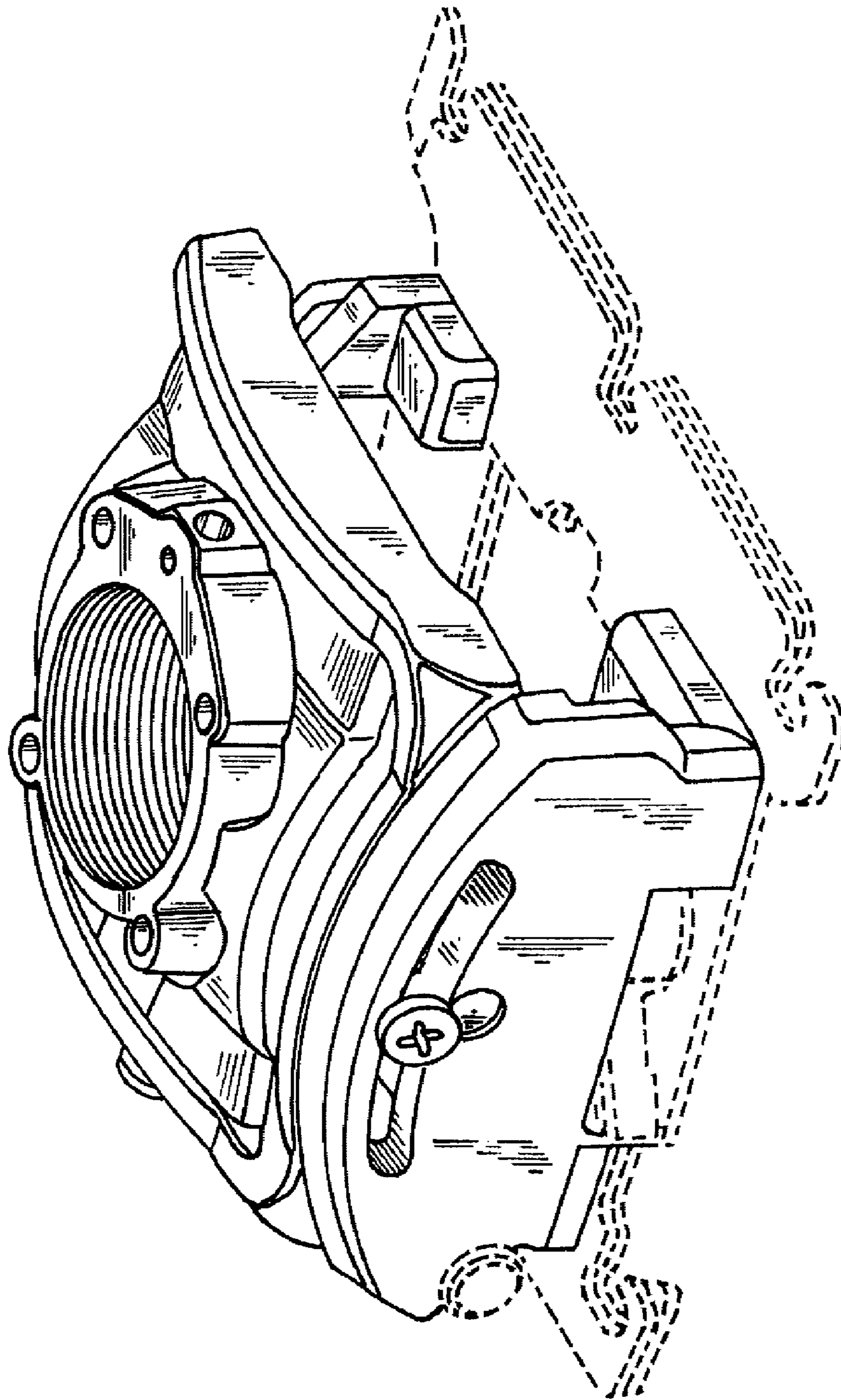


Fig. 1.

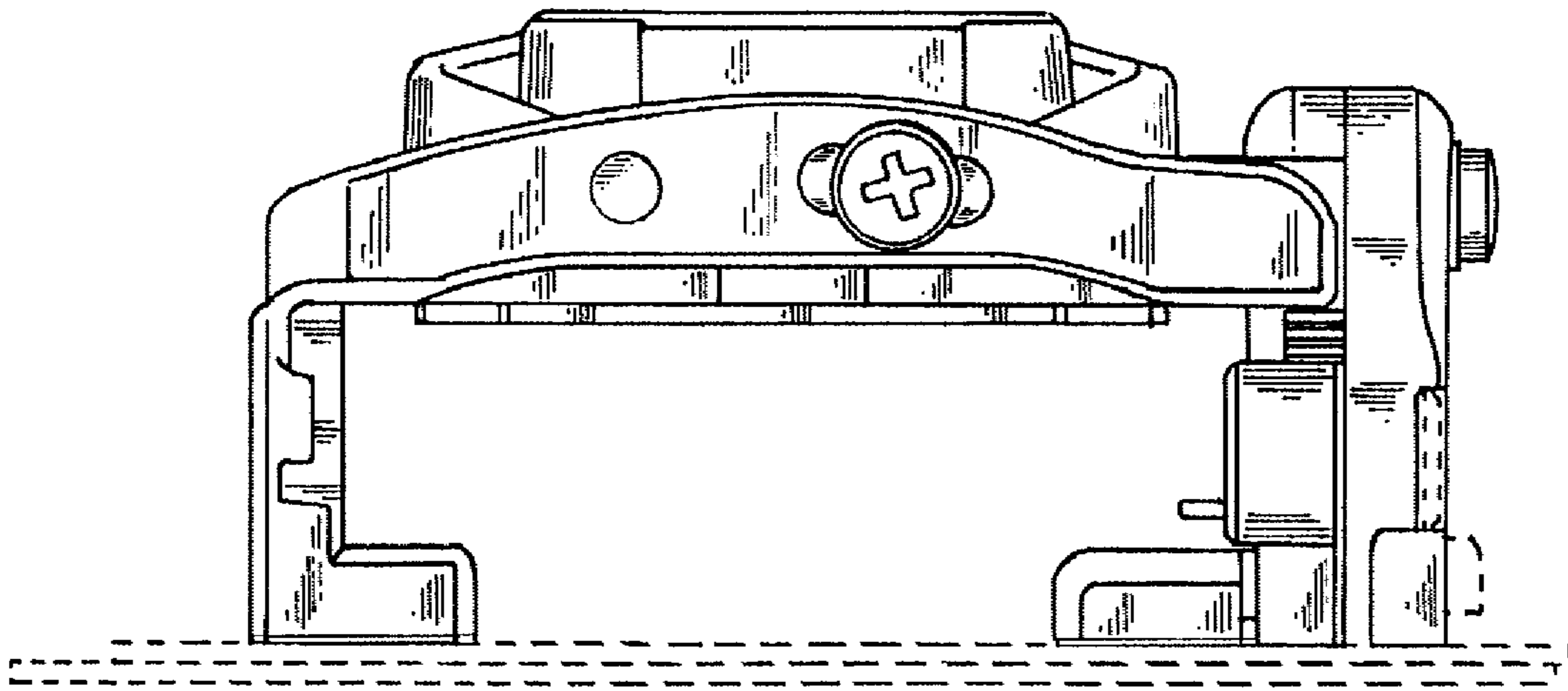


Fig. 2.

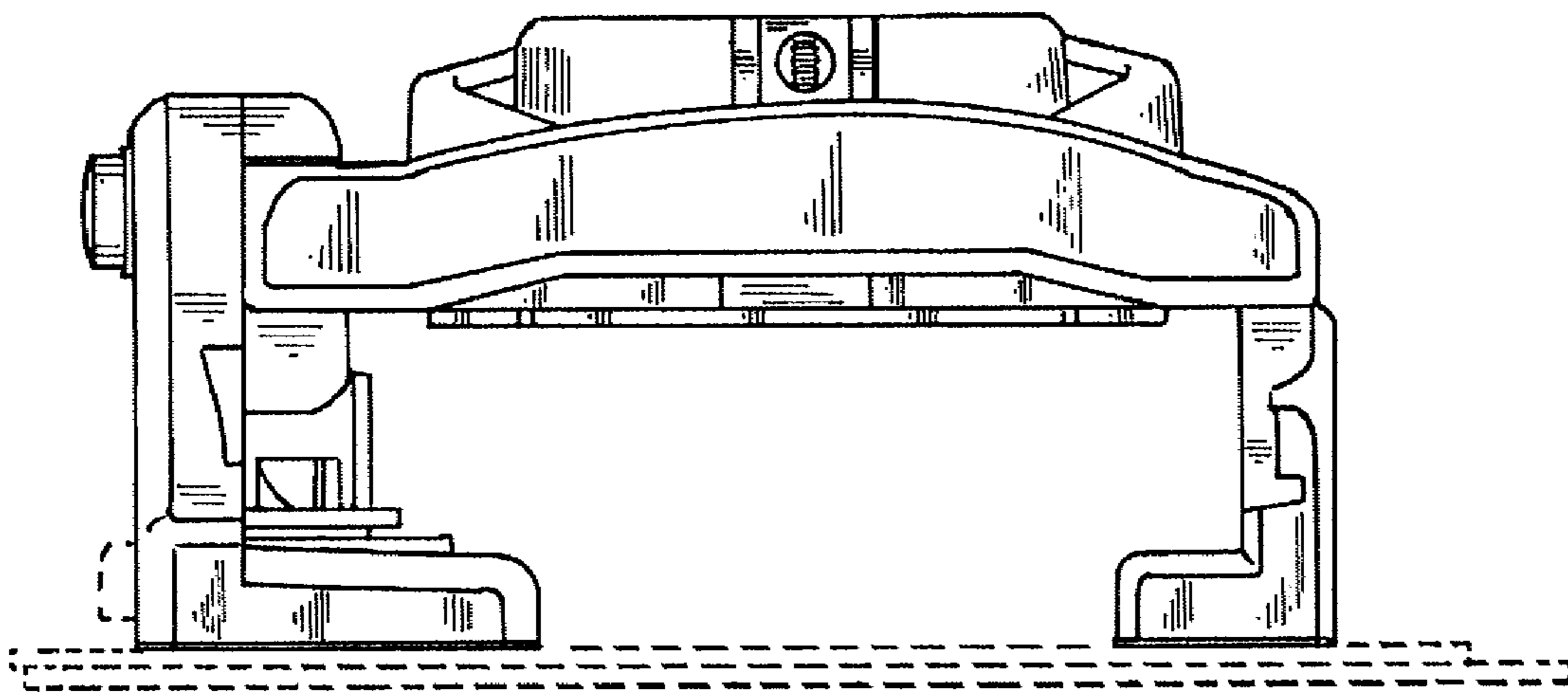


Fig. 3.

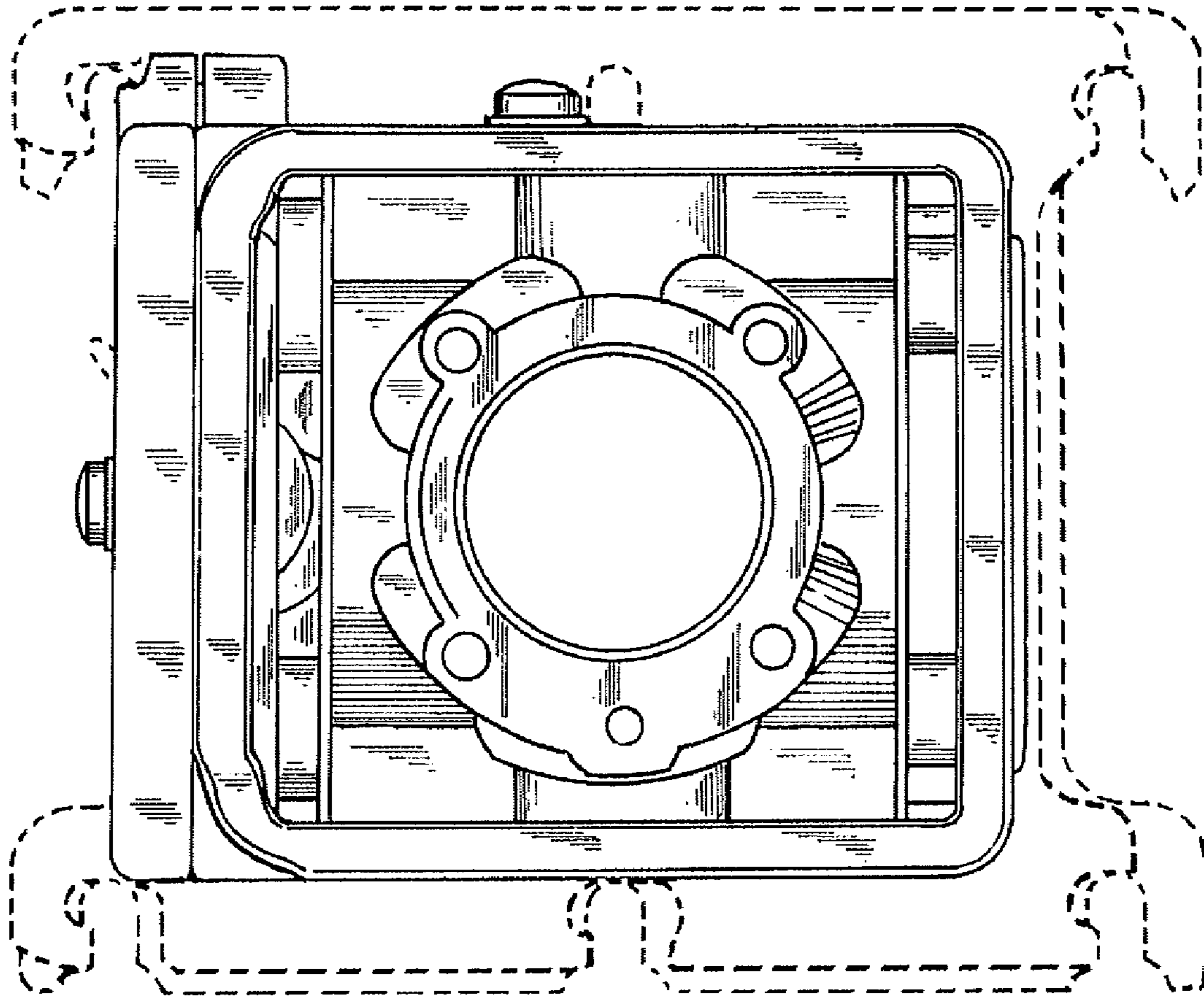


Fig. 4.

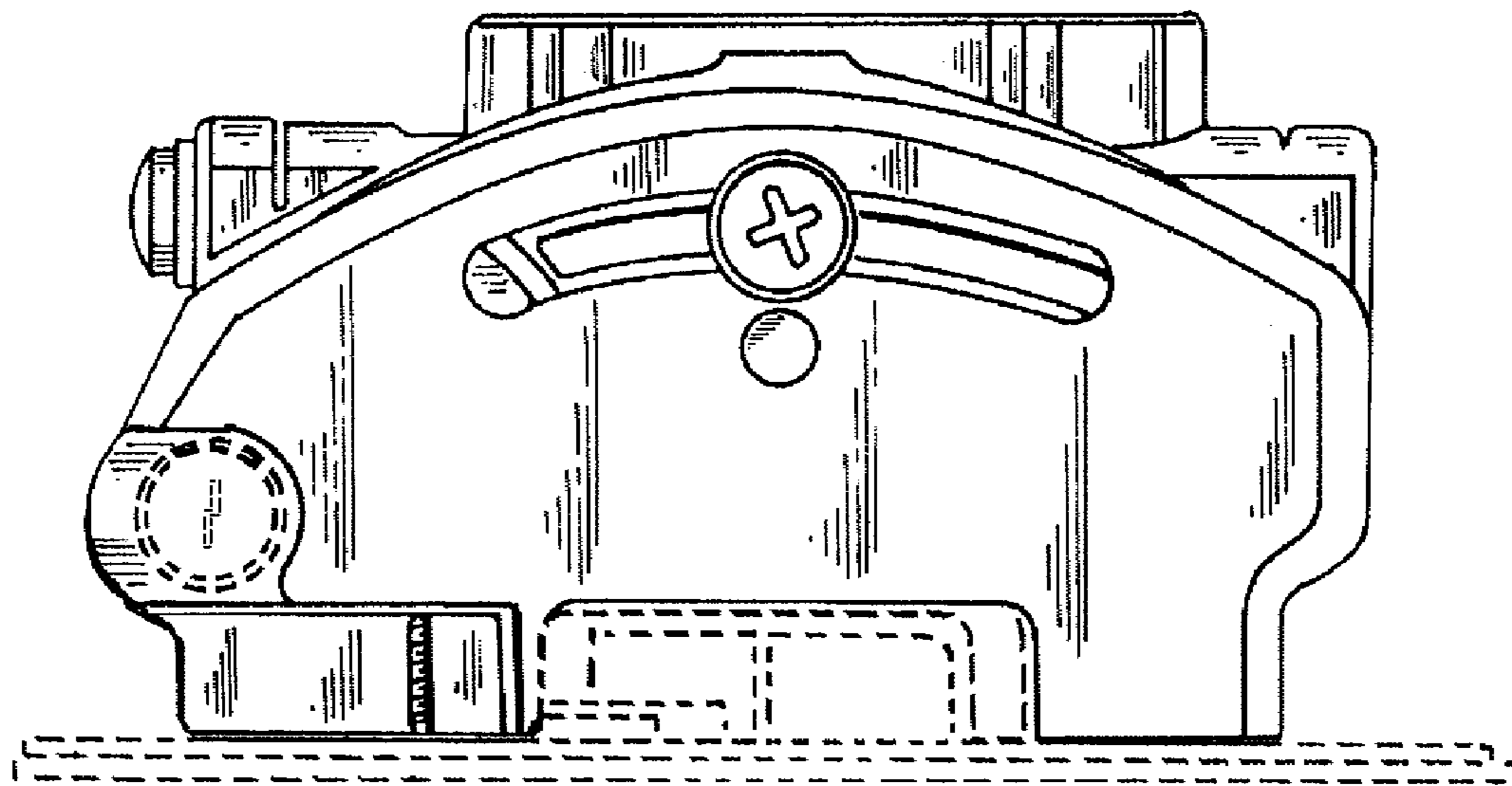


Fig. 5.

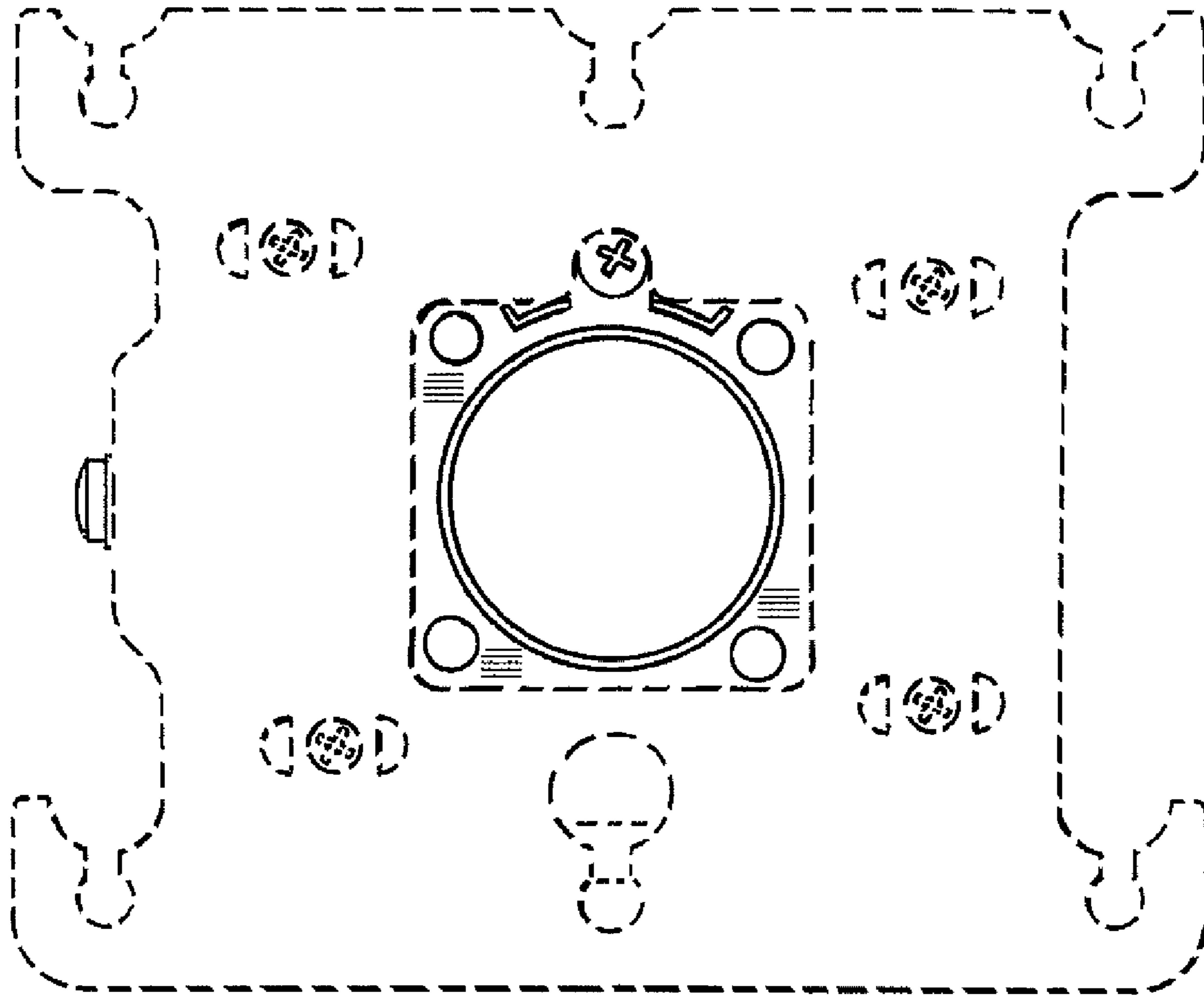


Fig. 6.

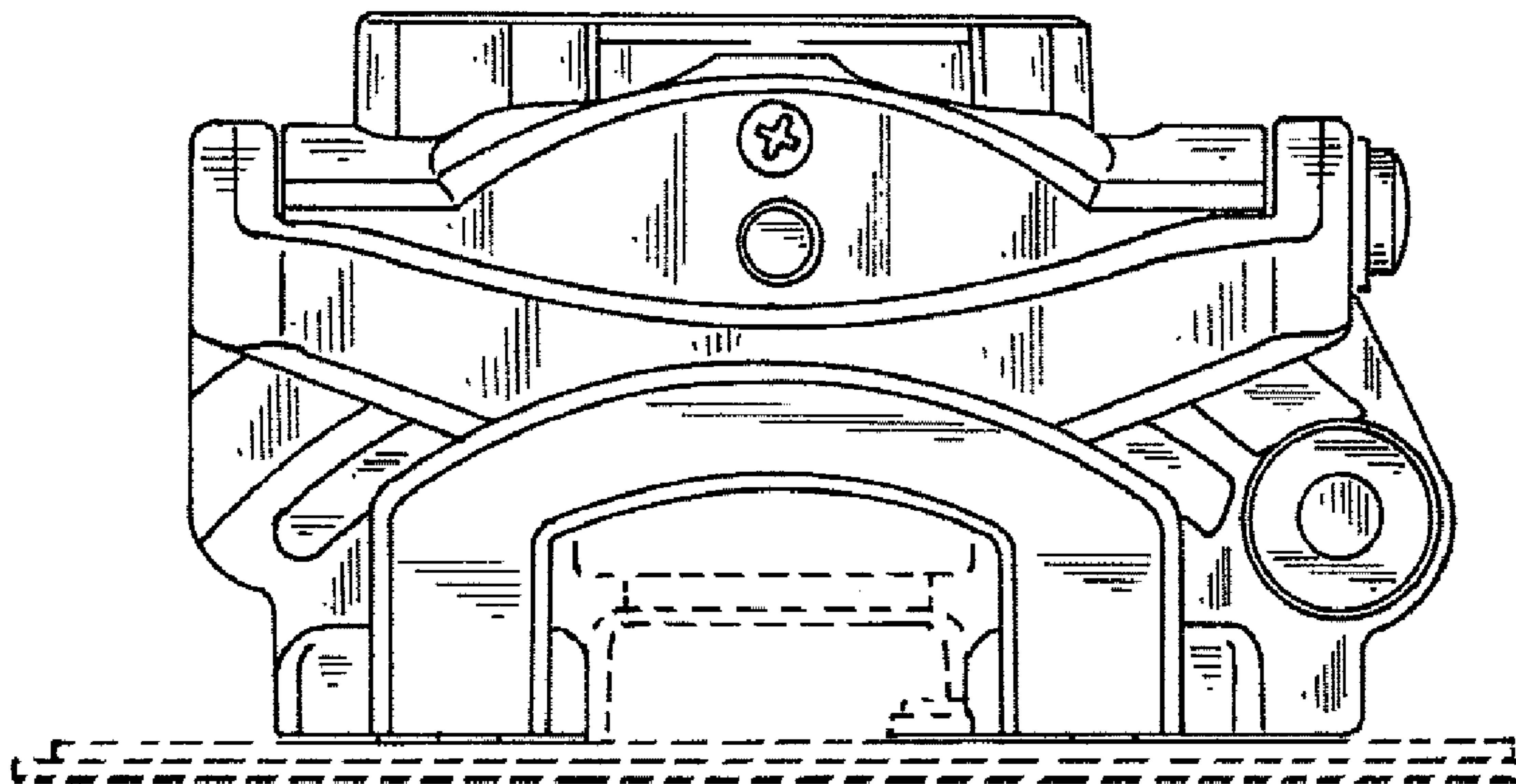


Fig. 7.