

US00D570393S

(12) **United States Design Patent**
Tajima

(10) **Patent No.:** **US D570,393 S**
(45) **Date of Patent:** **** Jun. 3, 2008**

- (54) **DIGITAL CAMERA**
- (75) Inventor: **Kenji Tajima**, Koganei (JP)
- (73) Assignee: **Olympus Imaging Corp.**, Tokyo (JP)
- (**) Term: **14 Years**
- (21) Appl. No.: **29/282,059**
- (22) Filed: **Jul. 10, 2007**

7,106,959 B2	9/2006	Sato	348/373
D534,564 S *	1/2007	Tainaka	D16/202
D536,356 S	2/2007	Nakamura	D16/202
D547,350 S *	7/2007	Tainaka	D16/219
D548,255 S *	8/2007	Naito	D16/202

* cited by examiner

Primary Examiner—Adir Aronovich
(74) *Attorney, Agent, or Firm*—Hogan & Hartson LLP

Related U.S. Application Data

- (62) Division of application No. 29/236,248, filed on Aug. 12, 2005, now Pat. No. Des. 548,252.
- (51) **LOC (8) Cl.** **16-05**
- (52) **U.S. Cl.** **D16/219**
- (58) **Field of Classification Search** D16/200–204,
D16/208, 209, 218, 219; 348/373–376; 358/909.1;
396/535–541
See application file for complete search history.

(57) **CLAIM**

The ornamental design for a digital camera, as shown and described.

DESCRIPTION

FIG. 1 is a rear, top and left side perspective view of a embodiment of the digital camera;
 FIG. 2 is a front, top and right side perspective view thereof;
 FIG. 3 is a top plan view thereof;
 FIG. 4 is a front elevational view thereof;
 FIG. 5 is a bottom plan view thereof;
 FIG. 6 is a left side elevational view thereof;
 FIG. 7 is a right side elevational view thereof; and,
 FIG. 8 is a rear elevational view thereof.

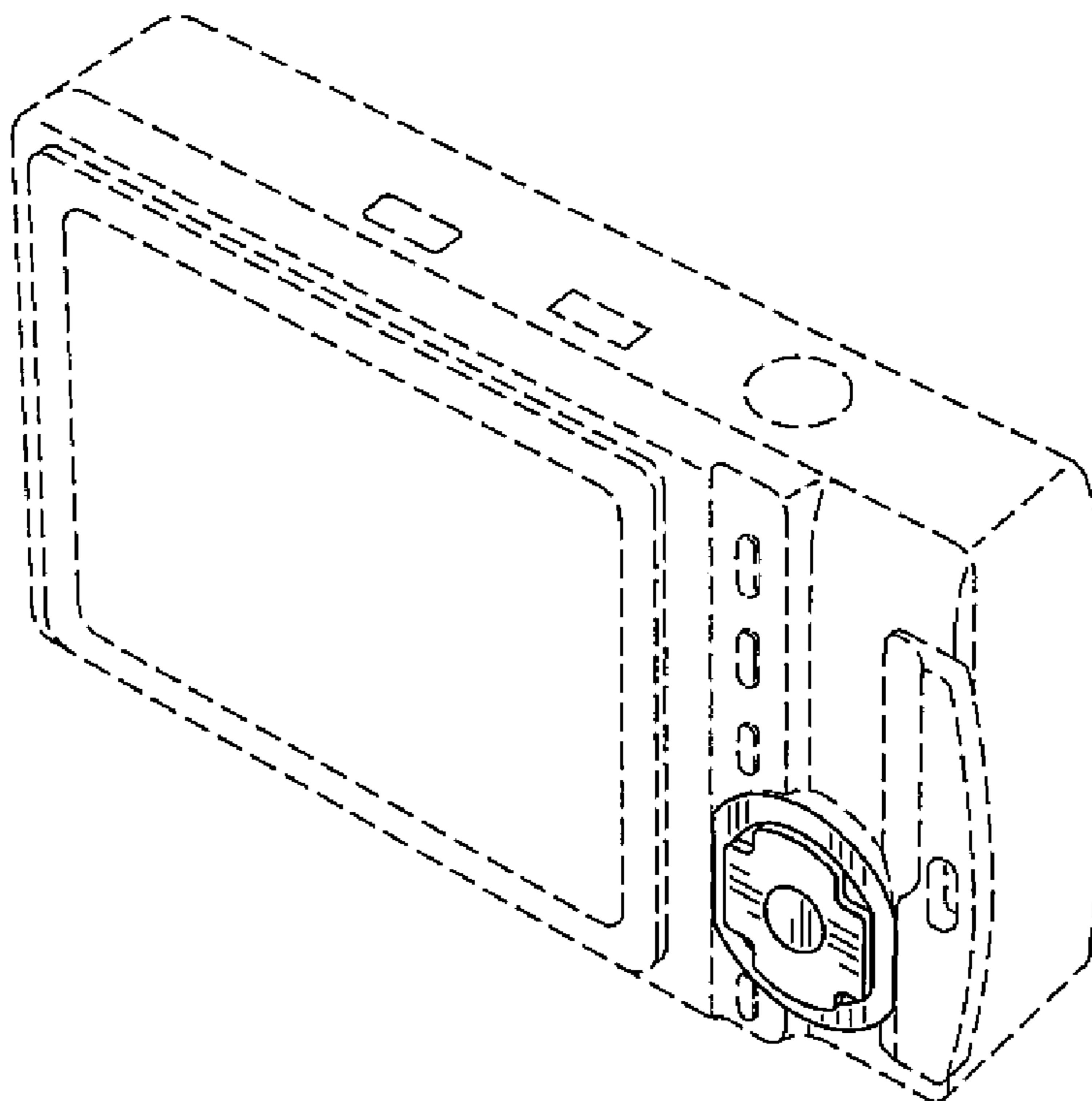
The broken lines are for illustrative purposes only and form no part of the claimed design.

(56) **References Cited**

U.S. PATENT DOCUMENTS

D252,208 S *	6/1979	Ooya	D16/219
D471,220 S	3/2003	Hamamura	D16/202
D482,054 S	11/2003	Nasu	D16/202
D496,380 S	9/2004	Isomoto	D16/202
D503,417 S *	3/2005	Kawase	D16/202
D509,524 S *	9/2005	Watanabe	D16/219
D516,599 S	3/2006	Nakamura	D16/218

1 Claim, 3 Drawing Sheets



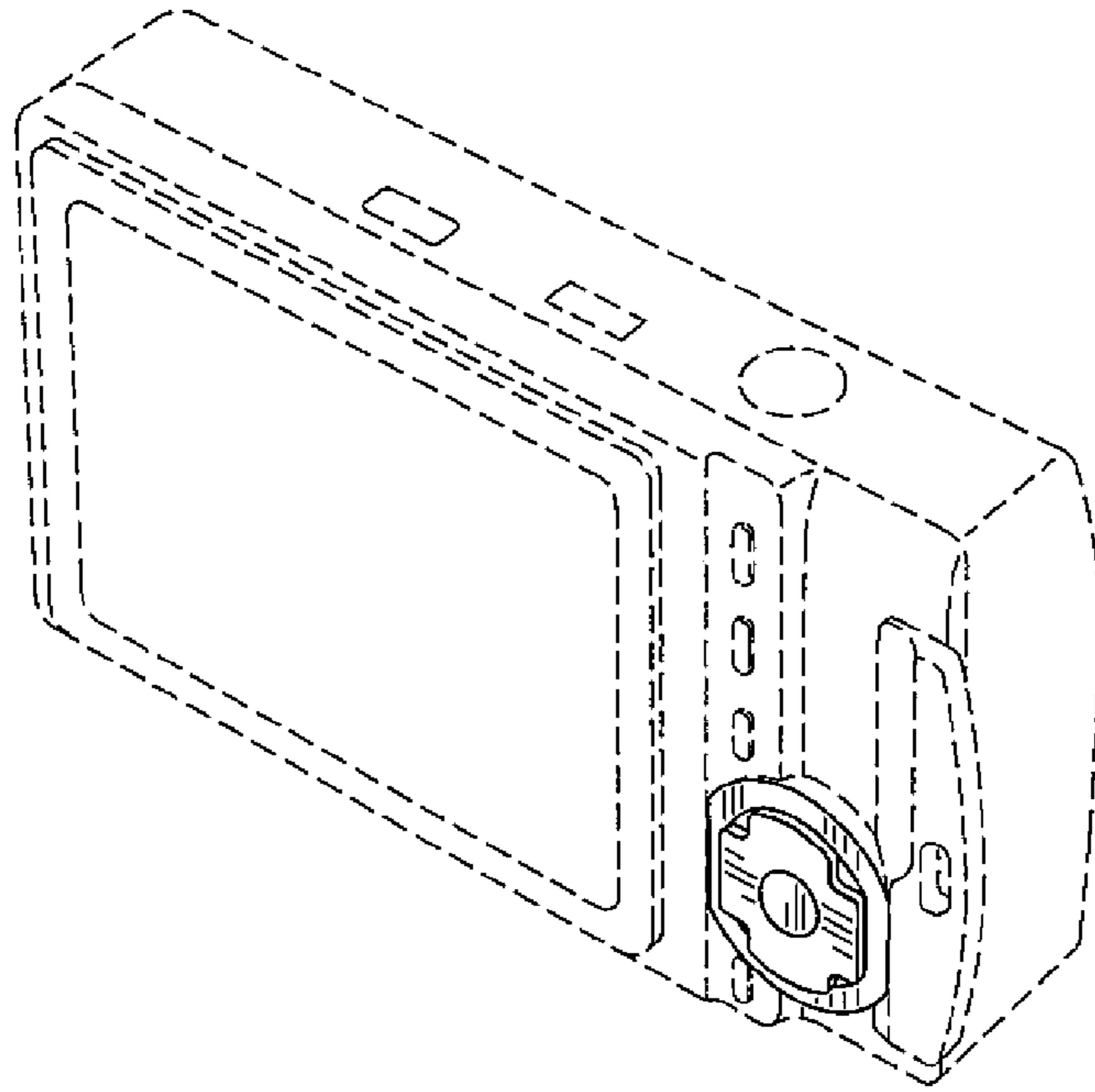


Fig. 1

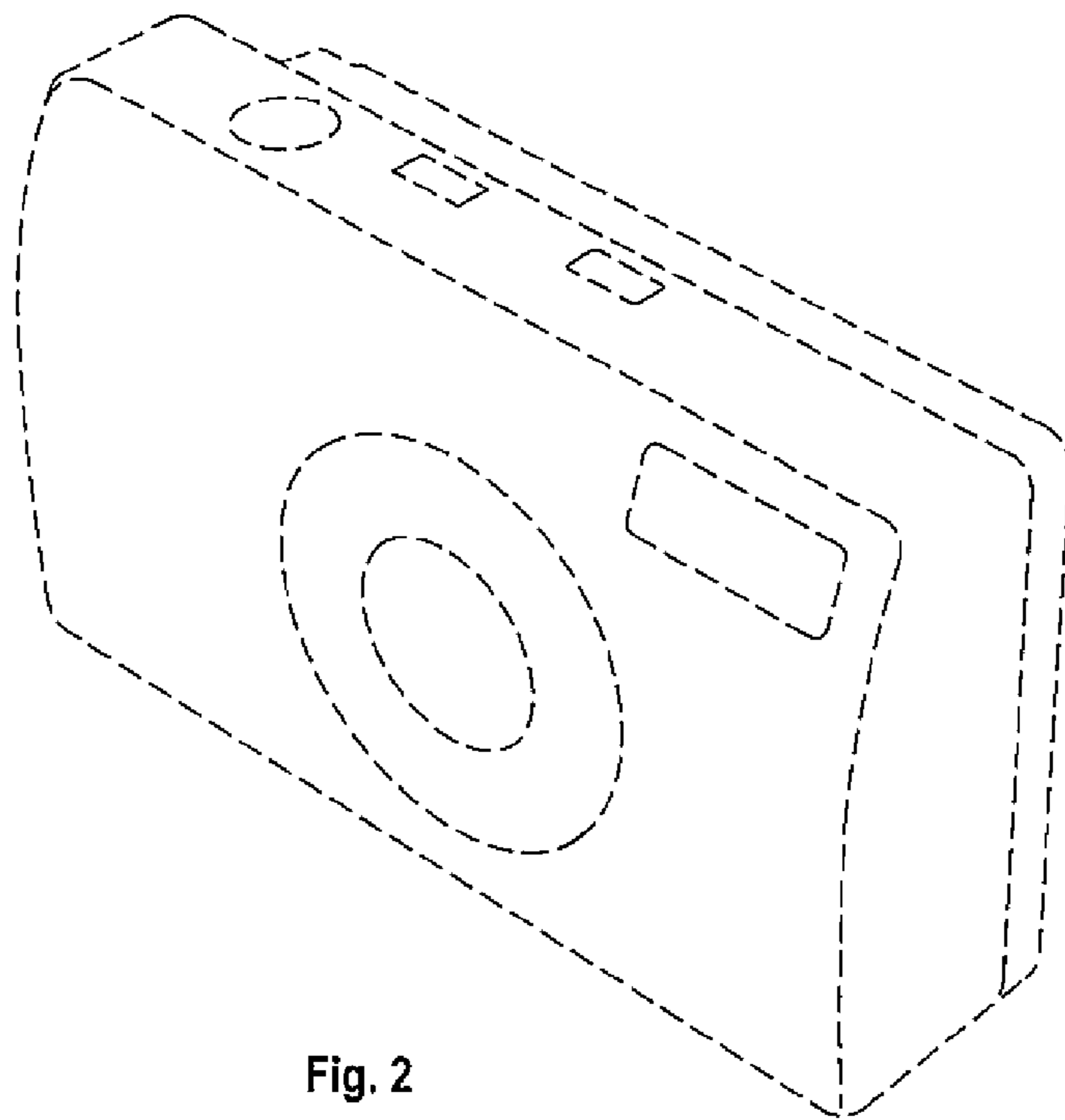


Fig. 2

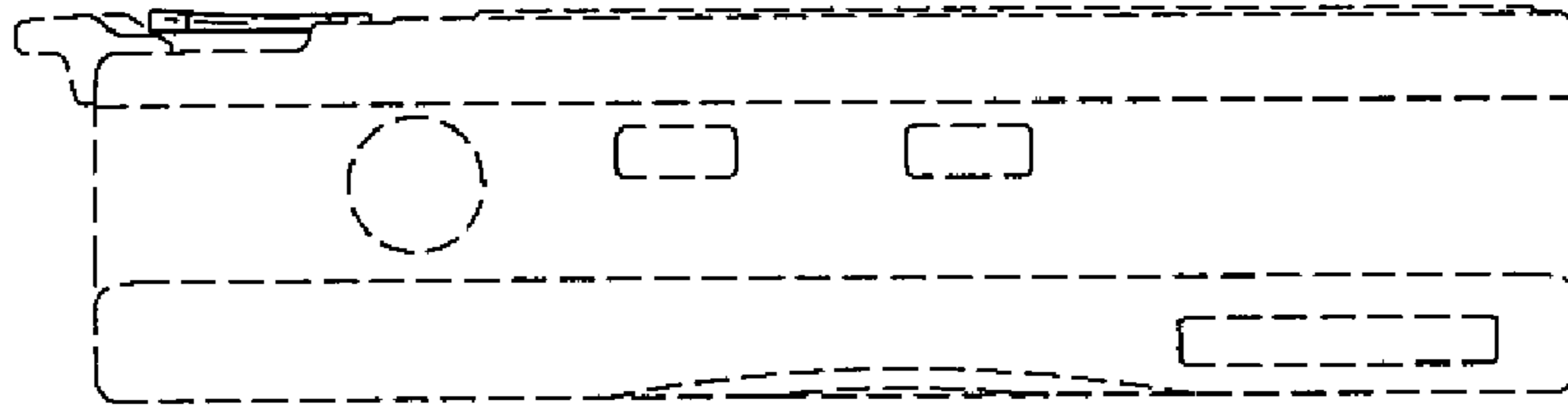


Fig. 3

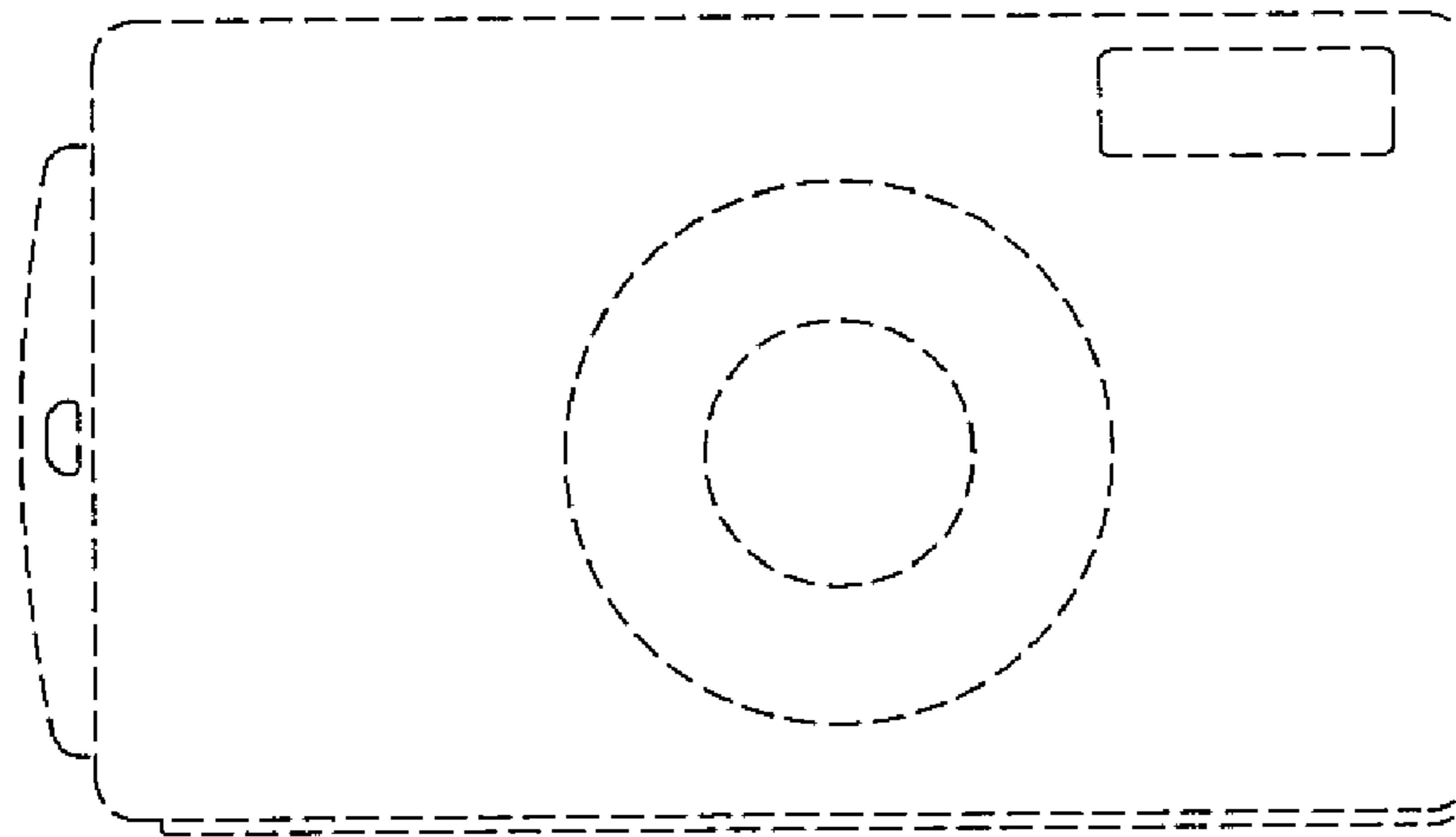


Fig. 4

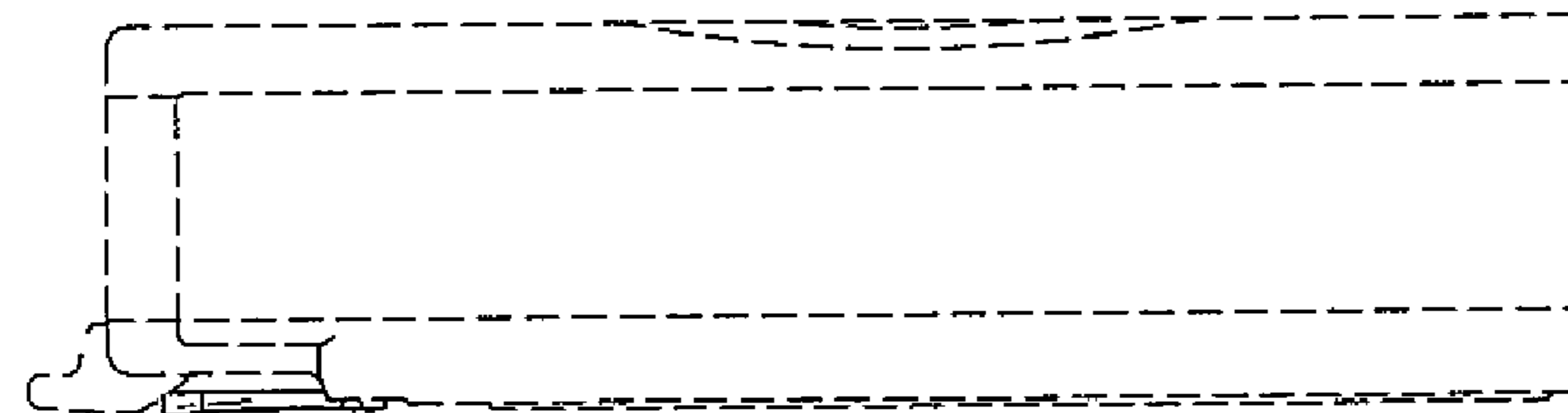


Fig. 5

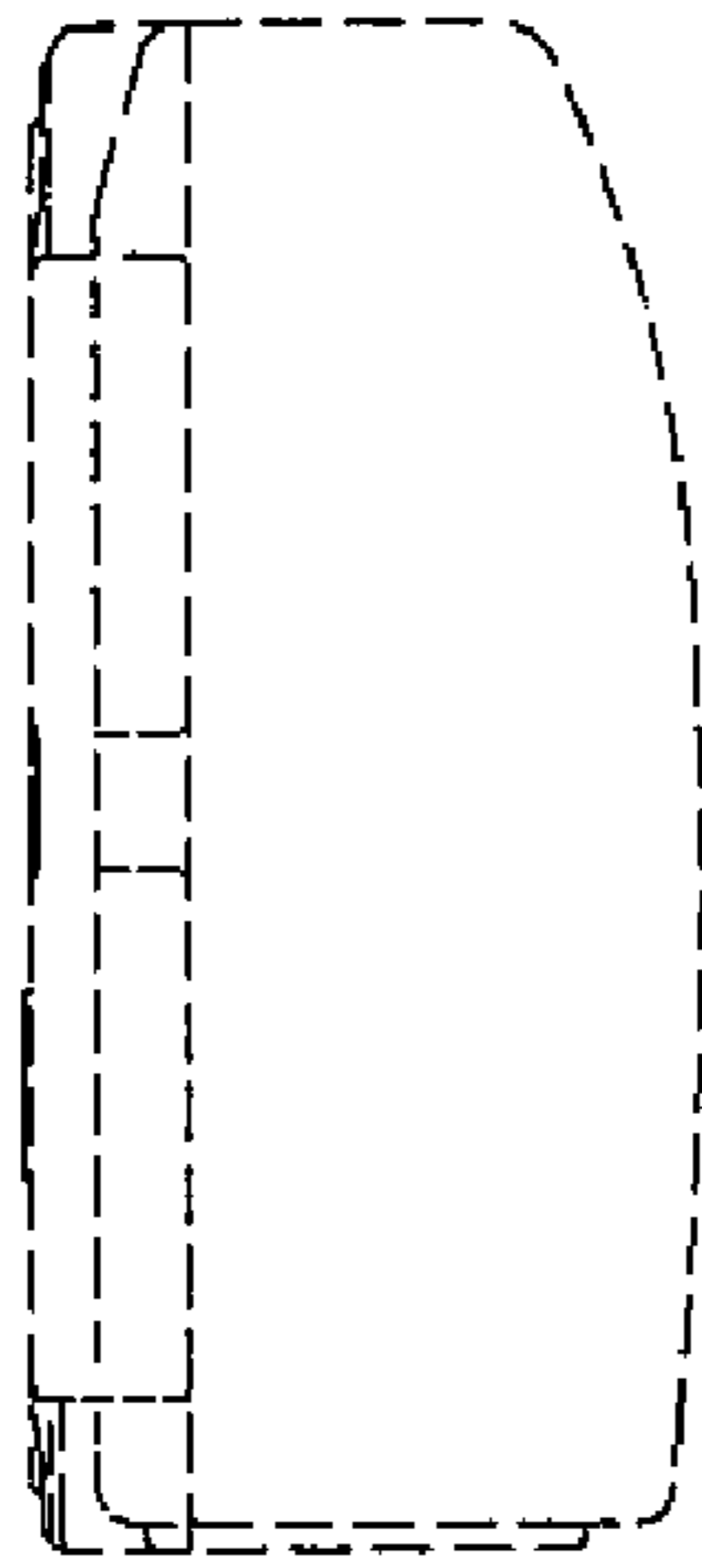


Fig. 6

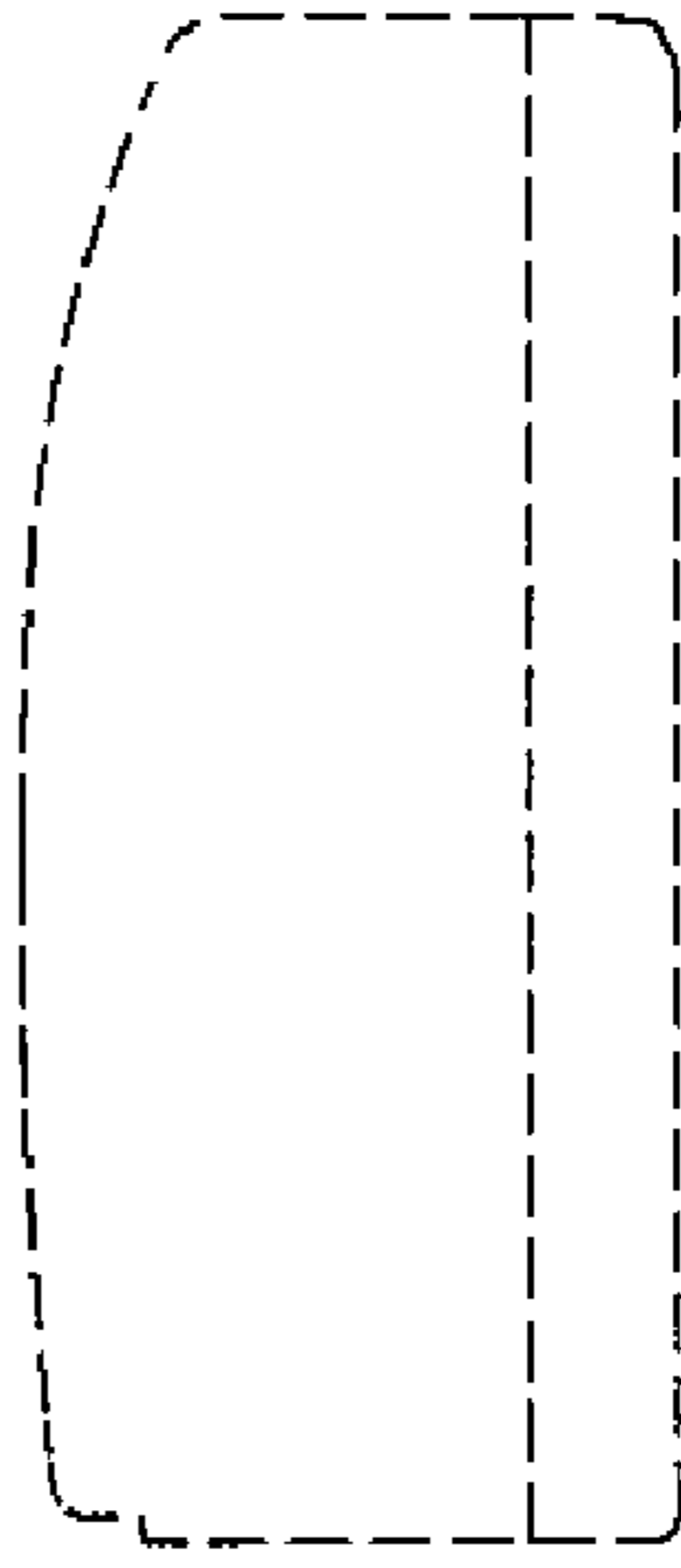


Fig. 7

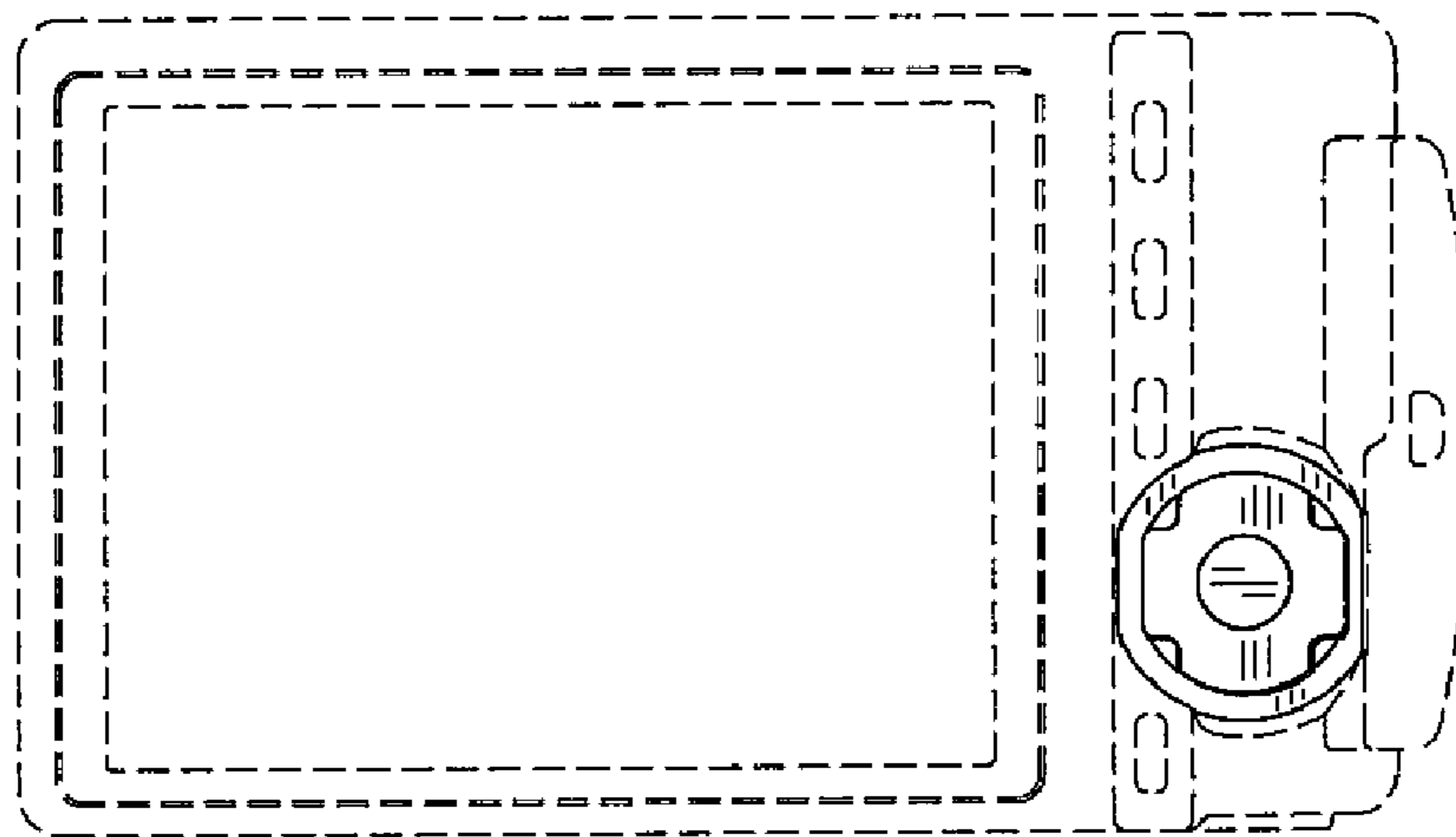


Fig. 8