

US00D570392S

(12) **United States Design Patent**
Kim et al.

(10) **Patent No.:** **US D570,392 S**
(45) **Date of Patent:** **** Jun. 3, 2008**

(54) **DIGITAL CAMERA**

(75) Inventors: **Joo Bok Kim**, Seoul (KR); **Kenji Yamauchi**, Seoul (KR)

(73) Assignee: **Samsung Techwin Co., Ltd.**, Changwon (KR)

(**) Term: **14 Years**

(21) Appl. No.: **29/268,640**

(22) Filed: **Nov. 9, 2006**

(30) **Foreign Application Priority Data**

May 10, 2006 (KR) 30-2006-0017369

(51) **LOC (8) Cl.** **16-05**

(52) **U.S. Cl.** **D16/219**

(58) **Field of Classification Search** D16/200-206,
D16/217-219, 241; 348/373-376; 396/176-177,
396/535-541; 358/909.1

See application file for complete search history.

(56) **References Cited**

U.S. PATENT DOCUMENTS

- D418,530 S * 1/2000 Tanaka et al. D16/217
- D425,094 S * 5/2000 Morishita et al. D16/217
- D441,778 S * 5/2001 Funakoshi D16/202
- D474,793 S * 5/2003 Yoshida D16/202

- D491,593 S * 6/2004 Haga D16/202
- D497,174 S * 10/2004 Omino et al. D16/217
- D524,346 S * 7/2006 Haga D16/202
- D542,321 S * 5/2007 Takahashi D16/217

* cited by examiner

Primary Examiner—Ian Simmons

Assistant Examiner—Wan Laymon

(74) *Attorney, Agent, or Firm*—Drinker Biddle & Reath LLP

(57) **CLAIM**

The ornamental design for a digital camera, as shown and described.

DESCRIPTION

FIG. 1 is a rear perspective view of a digital camera showing our new design;

FIG. 2 is a front view thereof;

FIG. 3 is a rear elevation view thereof;

FIG. 4 is a left side view thereof;

FIG. 5 is a right side view thereof;

FIG. 6 is a top plan view thereof; and,

FIG. 7 is a bottom plan view thereof.

The broken lines in Figures are for illustrative purposes only and form no part of the claimed design.

1 Claim, 4 Drawing Sheets

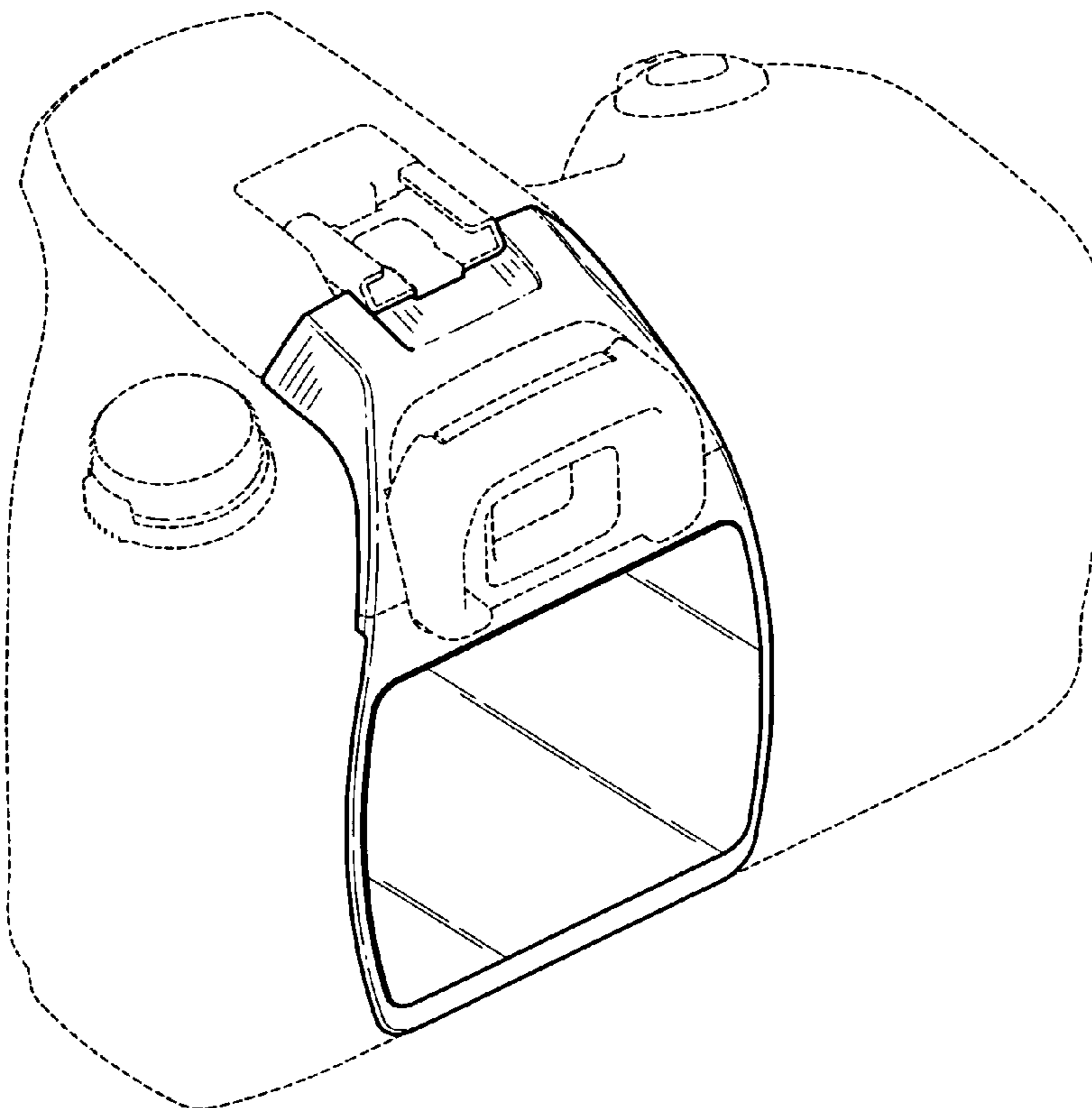


FIG. 1

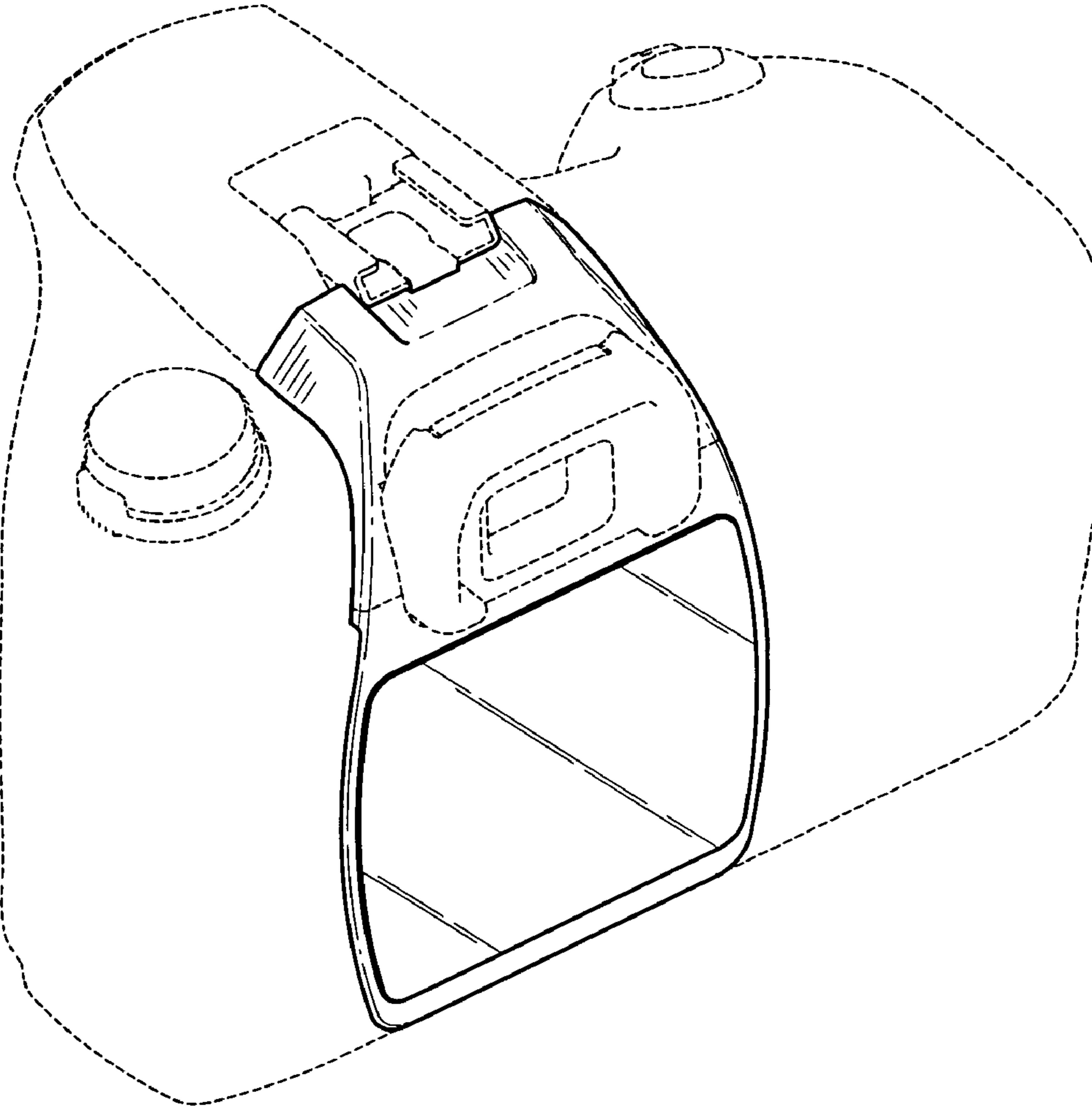


FIG. 2

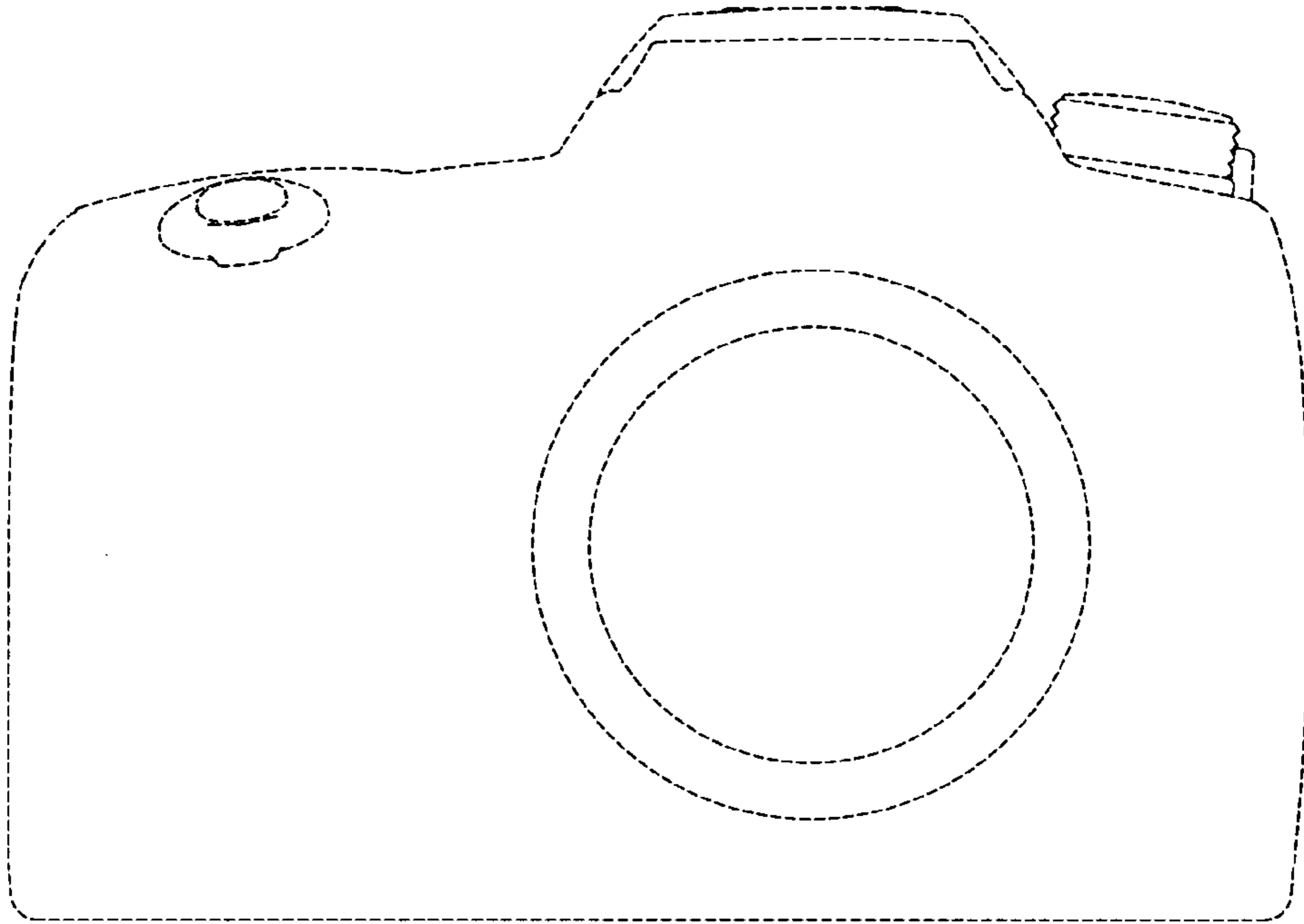


FIG. 3

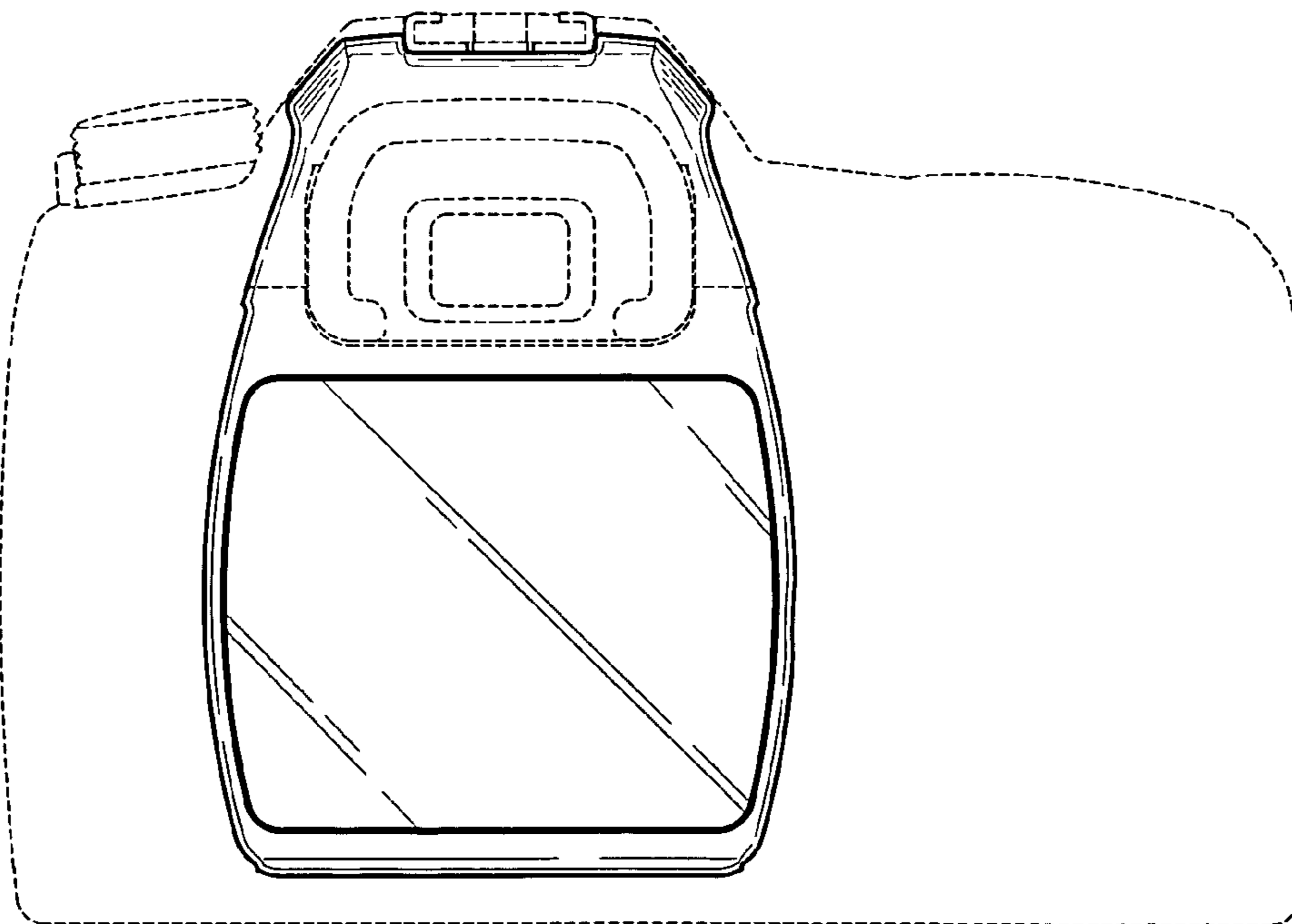


FIG. 4

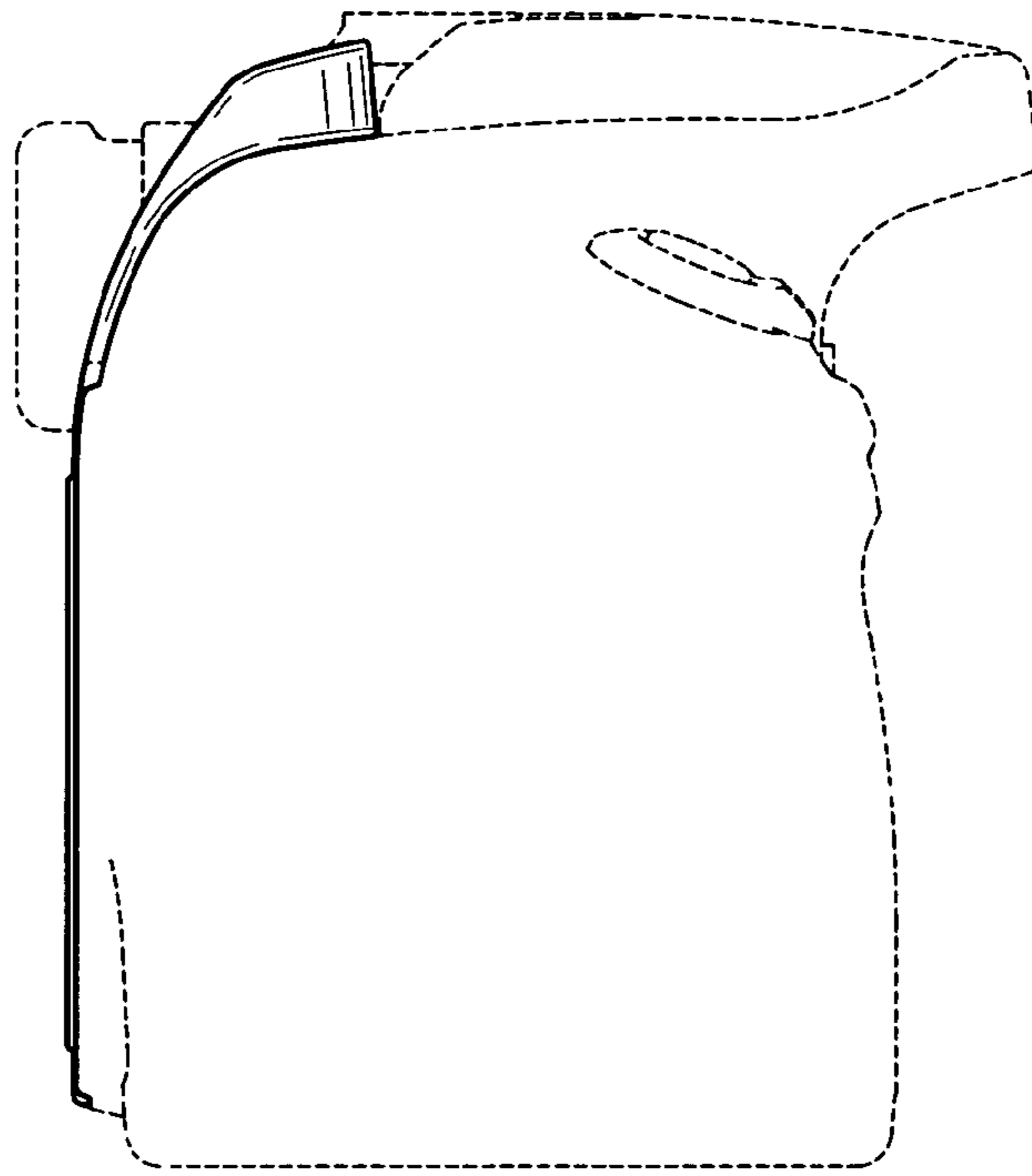


FIG. 5

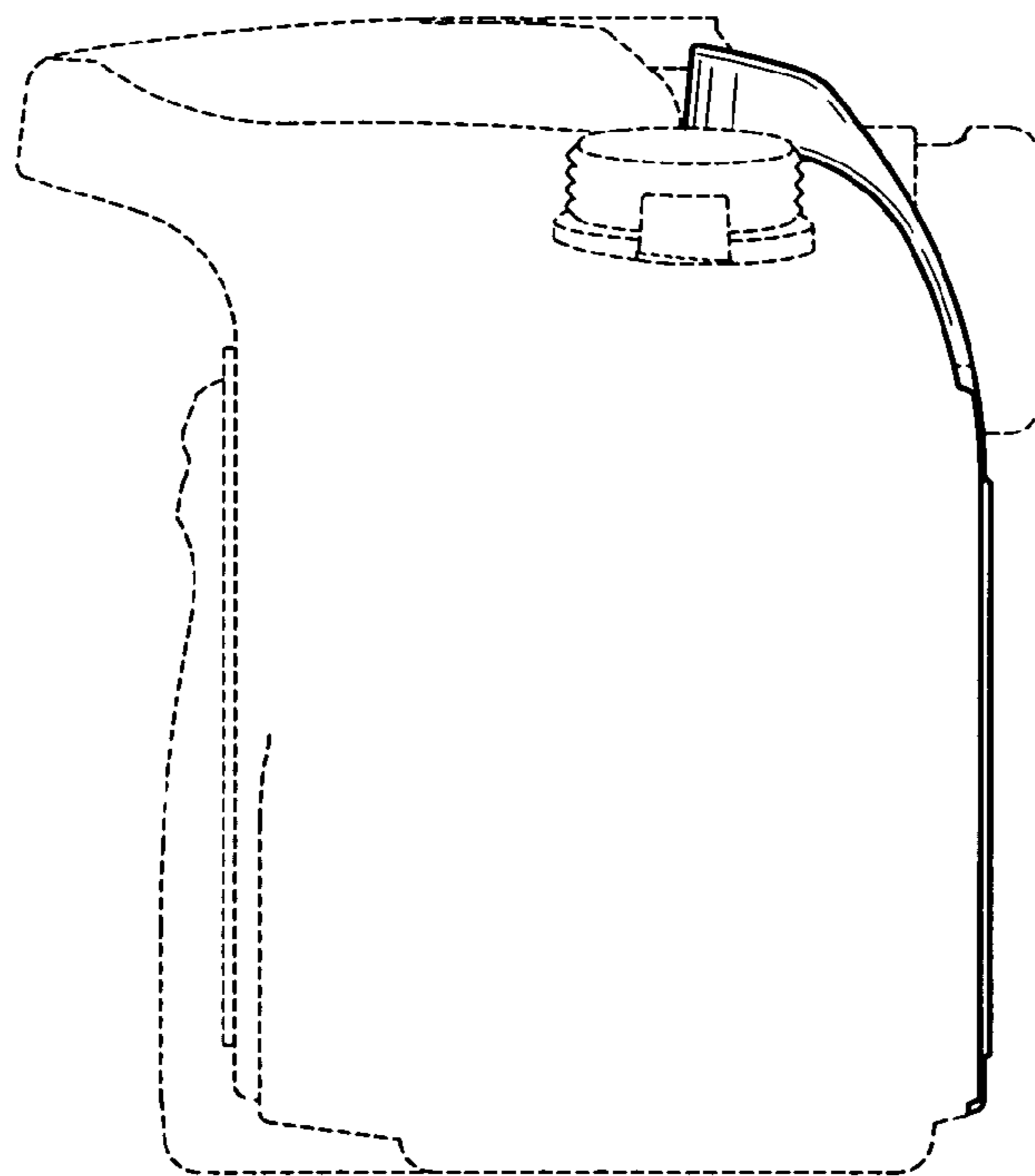


FIG. 6

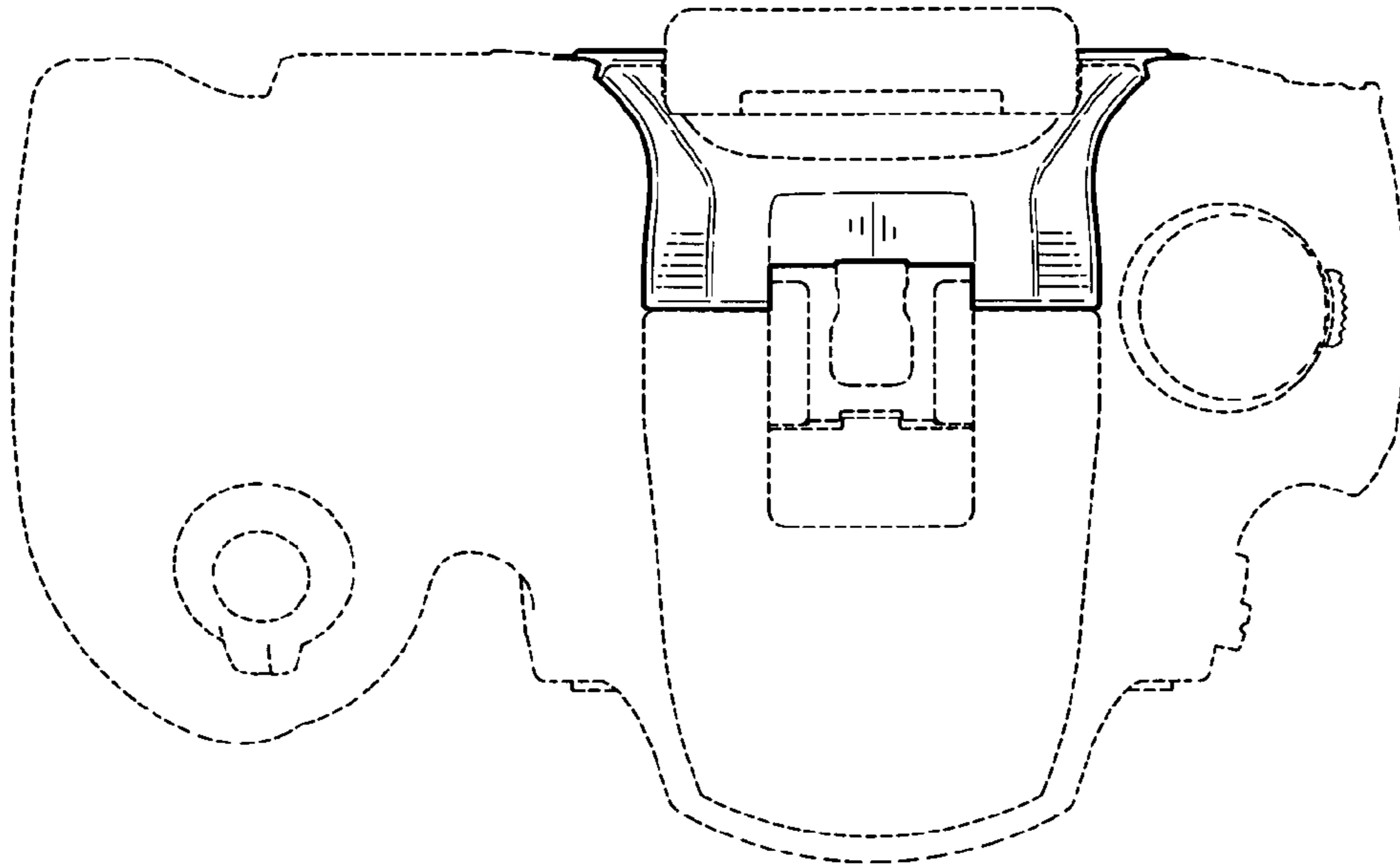


FIG. 7

