

US00D570391S

(12) **United States Design Patent**
Hibi

(10) **Patent No.:** **US D570,391 S**
(45) **Date of Patent:** **** Jun. 3, 2008**

(54) **CAMERA**

(75) Inventor: **Keita Hibi**, Tokyo (JP)

(73) Assignee: **Sony Corporation**, Tokyo (JP)

(**) Term: **14 Years**

(21) Appl. No.: **29/297,328**

(22) Filed: **Nov. 8, 2007**

Related U.S. Application Data

(62) Division of application No. 29/260,655, filed on May 31, 2006, now Pat. No. Des. 559,294.

(30) **Foreign Application Priority Data**

Jan. 19, 2006 (JP) 2006-000995
Jan. 19, 2006 (JP) 2006-000996

(51) **LOC (8) Cl.** **16-01**

(52) **U.S. Cl.** **D16/218; D16/212**

(58) **Field of Classification Search** D16/200-202,
D16/204, 208, 218, 219; 348/373-376; 358/909.1;
396/349, 448, 535-541
See application file for complete search history.

(56) **References Cited**

U.S. PATENT DOCUMENTS

4,219,265 A * 8/1980 Waaske 396/349
4,556,304 A 12/1985 Fukuda
4,557,574 A 12/1985 Kohno et al.
D423,544 S * 4/2000 Yamamoto et al. D16/218
6,305,852 B1 10/2001 Suzuki et al.
D453,942 S 2/2002 Suzuki et al.
6,347,893 B1 2/2002 Shiono et al.
D455,770 S 4/2002 Suzuki et al.
D477,832 S 7/2003 Suzuki
D494,205 S 8/2004 Kawase

D496,678 S * 9/2004 Kawase D16/218
D508,065 S 8/2005 Dow et al.
D508,711 S * 8/2005 Suzuki D16/218
D524,836 S 7/2006 Morita
D536,720 S * 2/2007 Miyashita D16/218
D542,323 S * 5/2007 Takagi D16/218
D542,324 S 5/2007 Takagi
D544,011 S 6/2007 Tanio
D560,700 S * 1/2008 Naito et al. D16/202
D561,221 S * 2/2008 Ogura et al. D16/212
2004/0190892 A1 9/2004 Yamane

* cited by examiner

Primary Examiner—Adir Aronovich

(74) *Attorney, Agent, or Firm*—Oblon, Spivak, McClelland, Maier & Neustadt, P.C.

(57) **CLAIM**

The new, original and ornamental design for a camera, as shown in the drawings and described herein.

DESCRIPTION

FIG. 1 is a top and right front perspective view of a camera showing my new design, with a front cover shown in a closed position;

FIG. 2 is a front elevational view thereof;

FIG. 3 is a rear elevational view thereof;

FIG. 4 is a left side elevational view thereof;

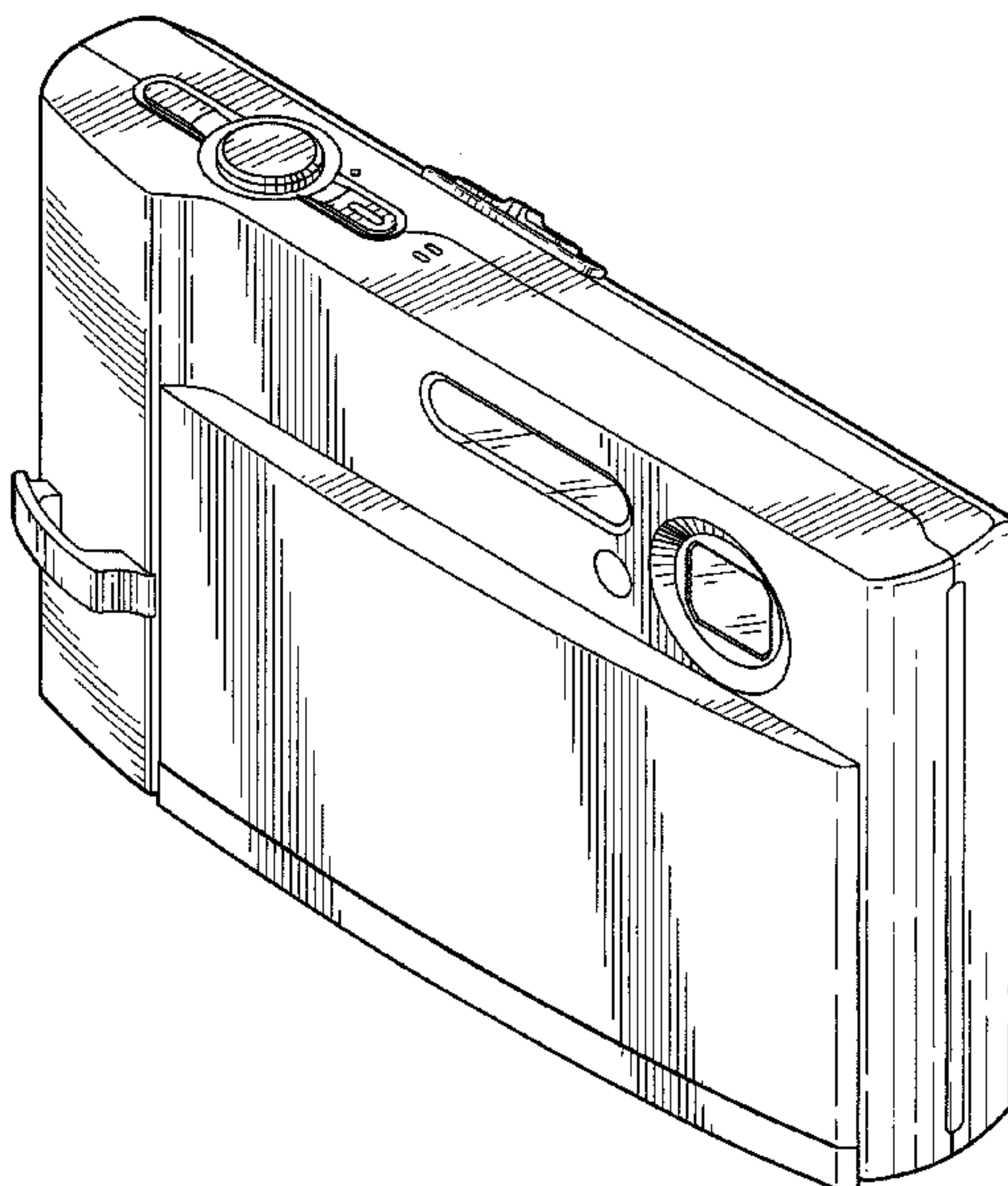
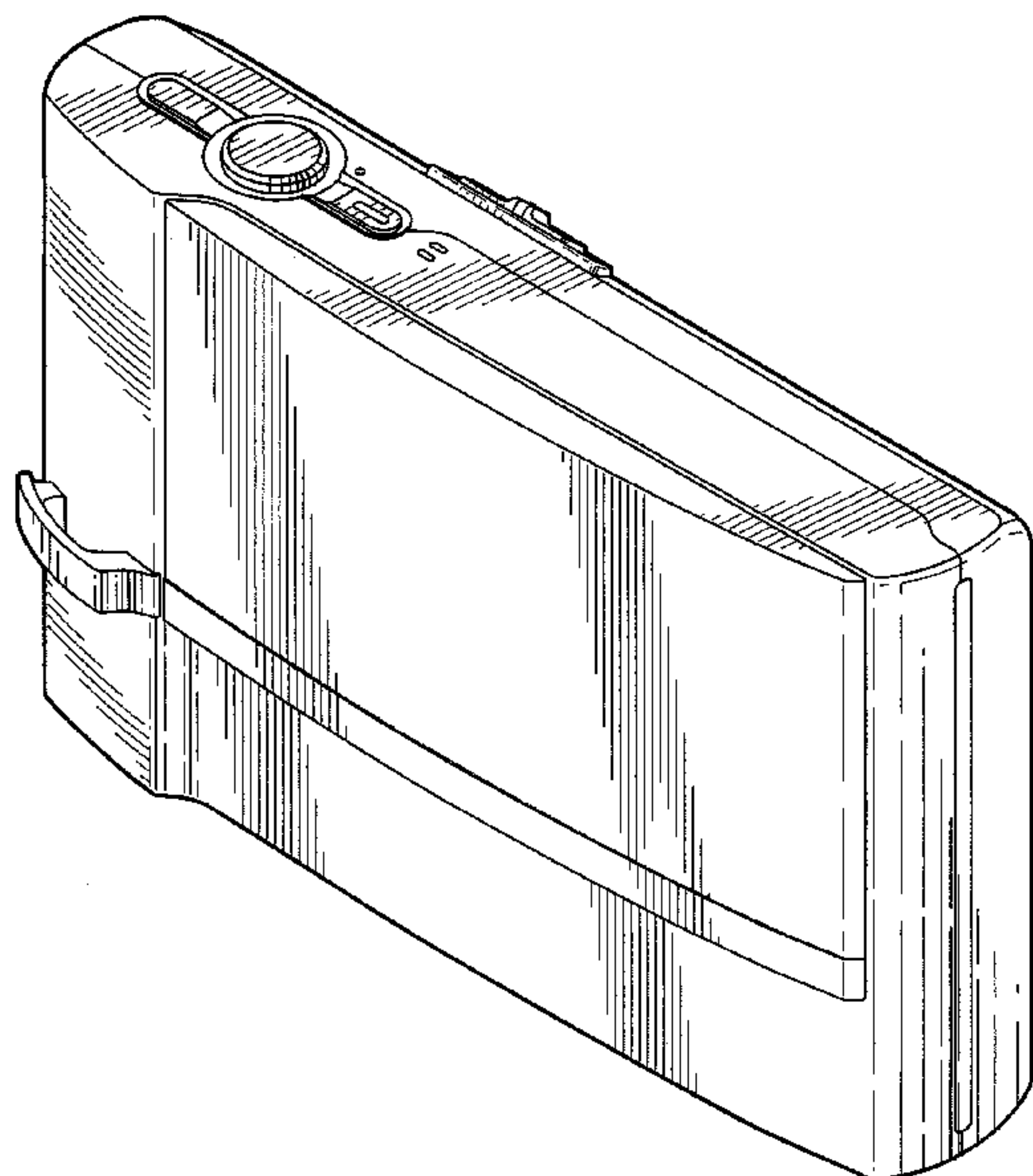
FIG. 5 is a right side elevational view thereof;

FIG. 6 is a top plan view thereof;

FIG. 7 is a bottom plan view thereof; and,

FIG. 8 is a top and right front perspective view of a camera showing my new design, with a front cover shown in an open position.

1 Claim, 7 Drawing Sheets



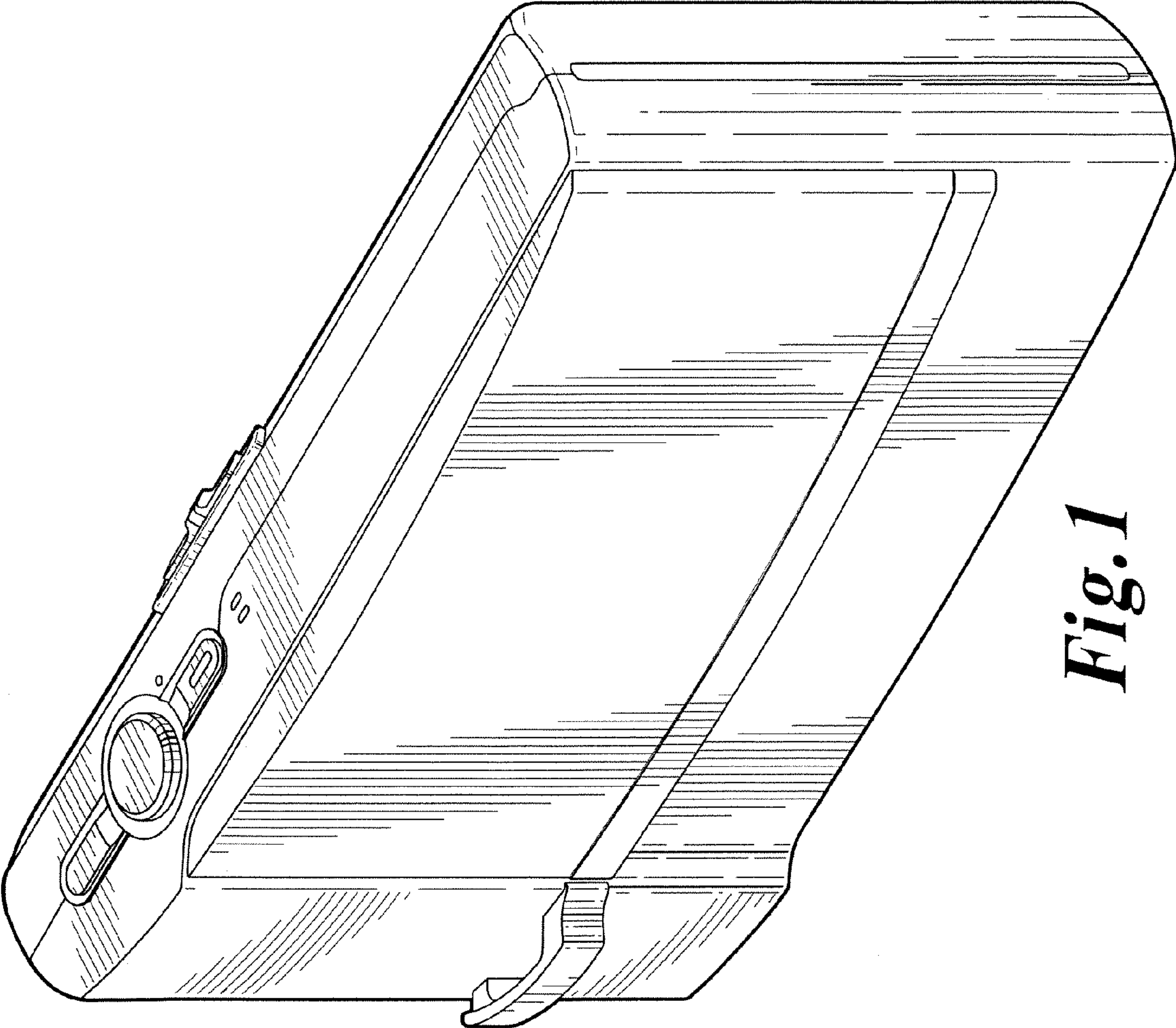


Fig. 1

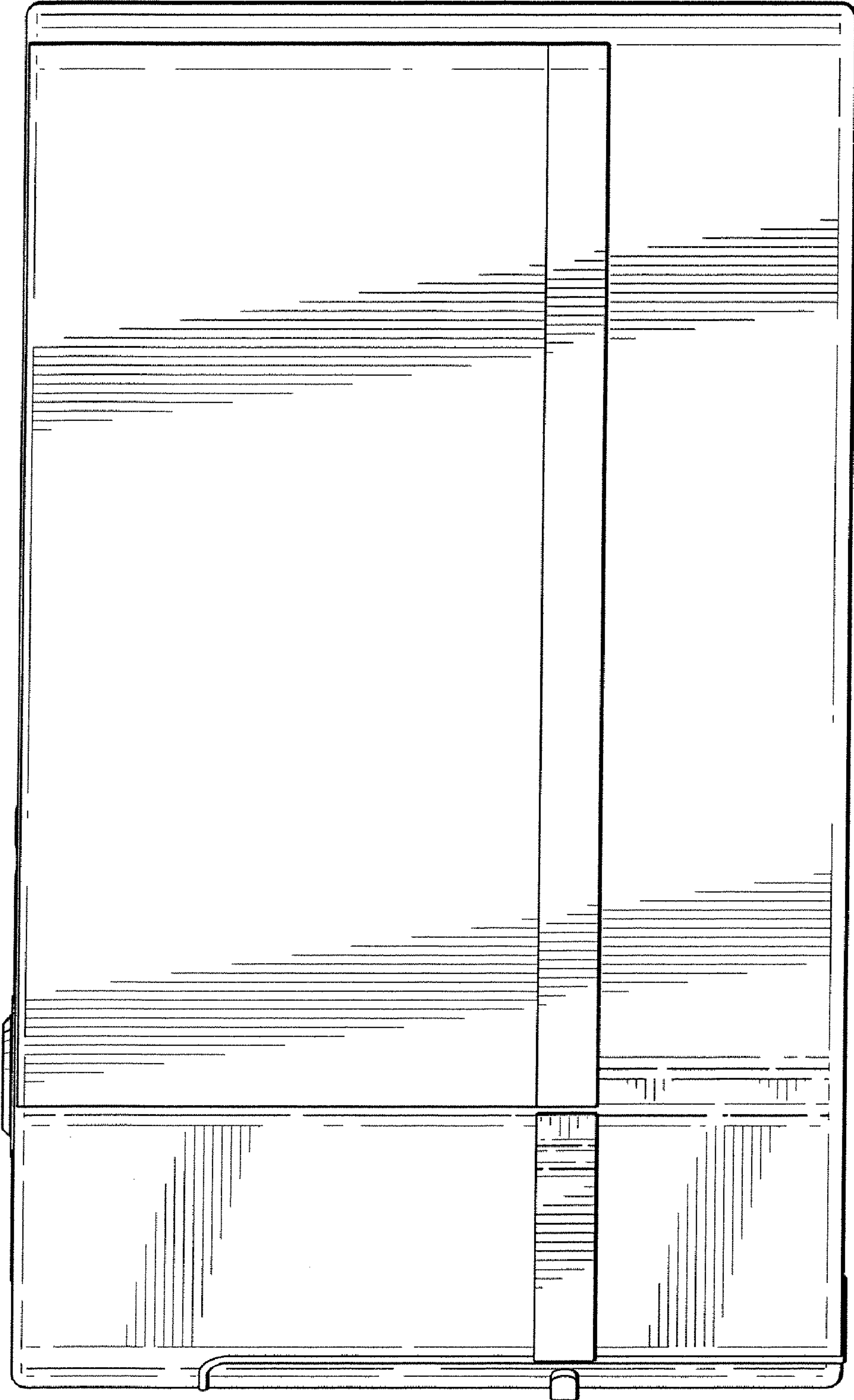


Fig. 2

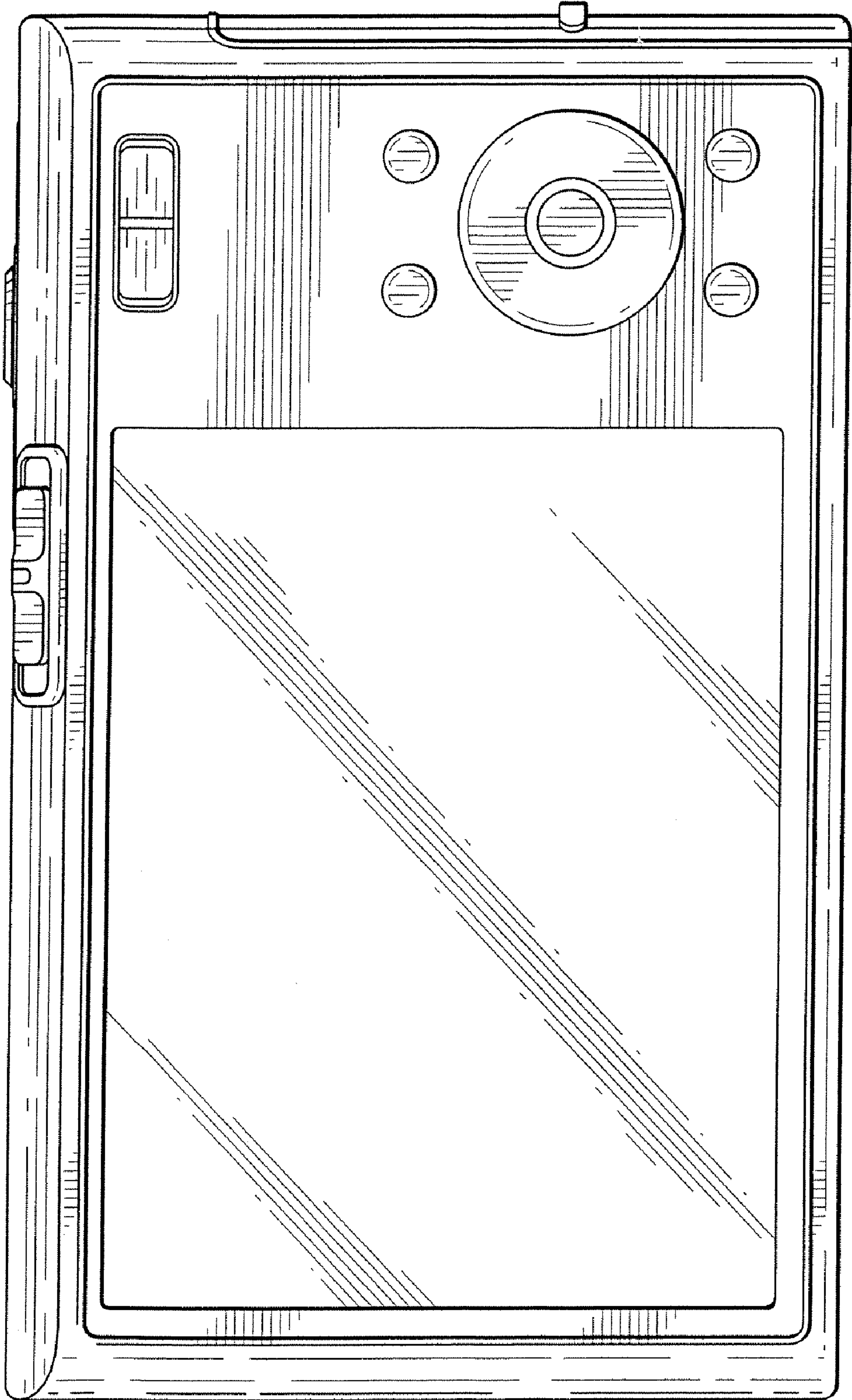


Fig. 3

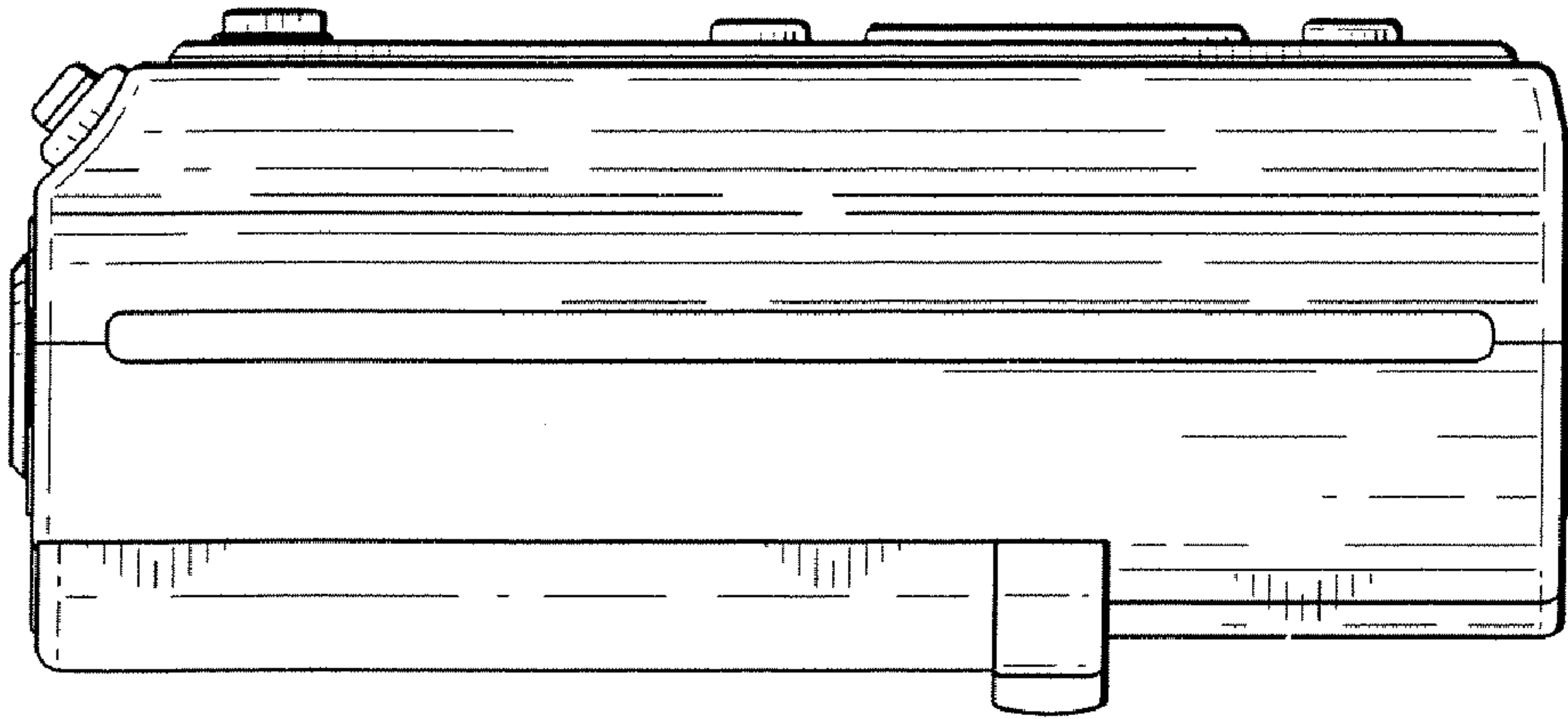


Fig. 5

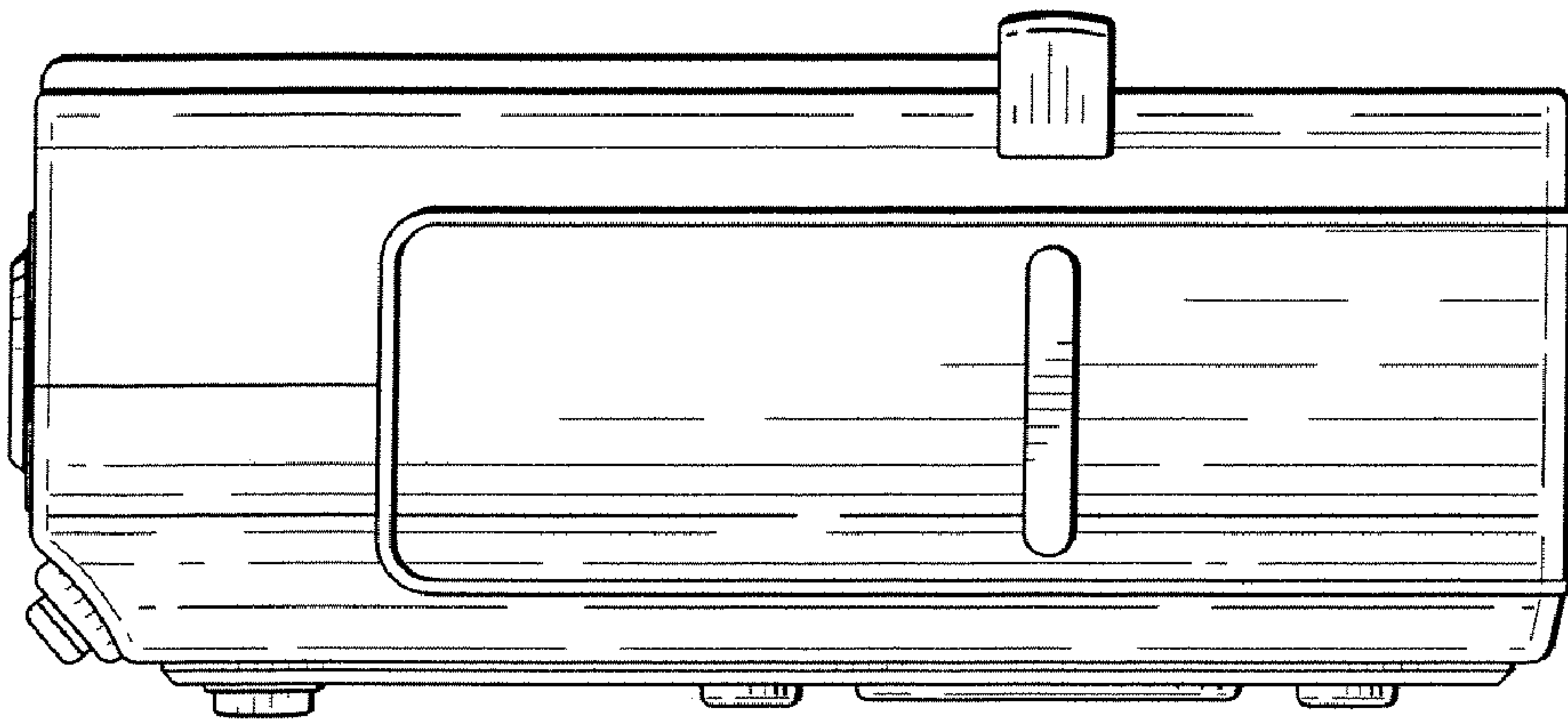


Fig. 4

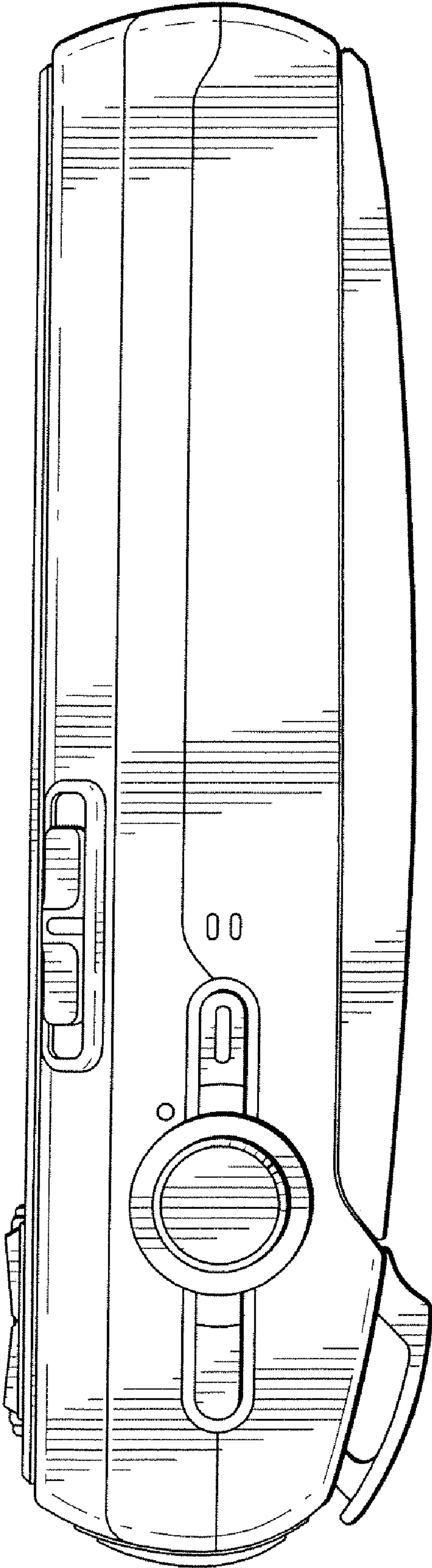


Fig. 6

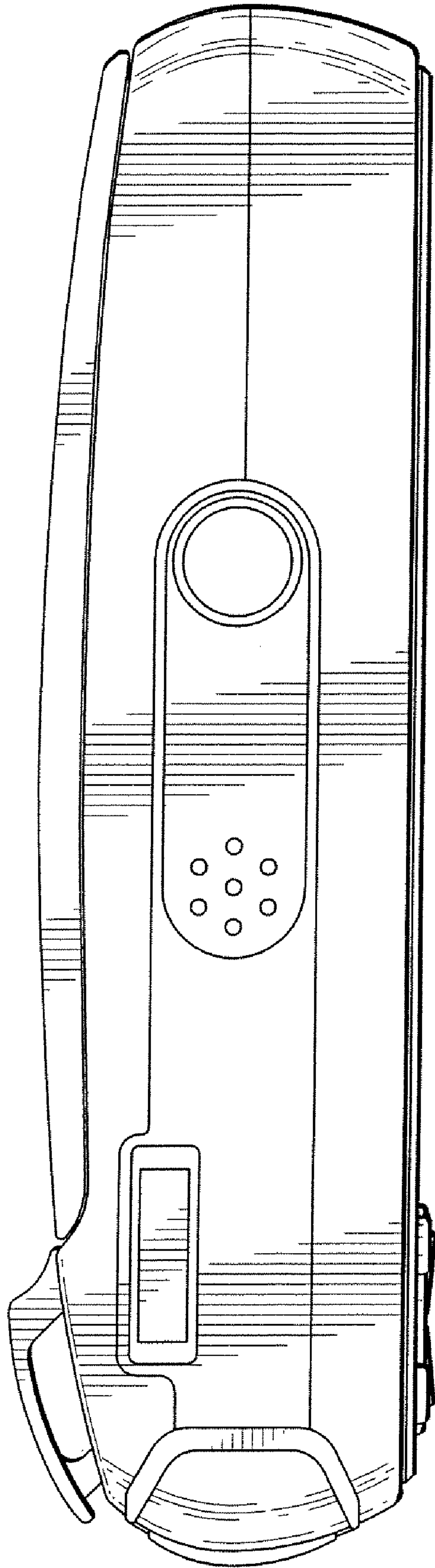


Fig. 7

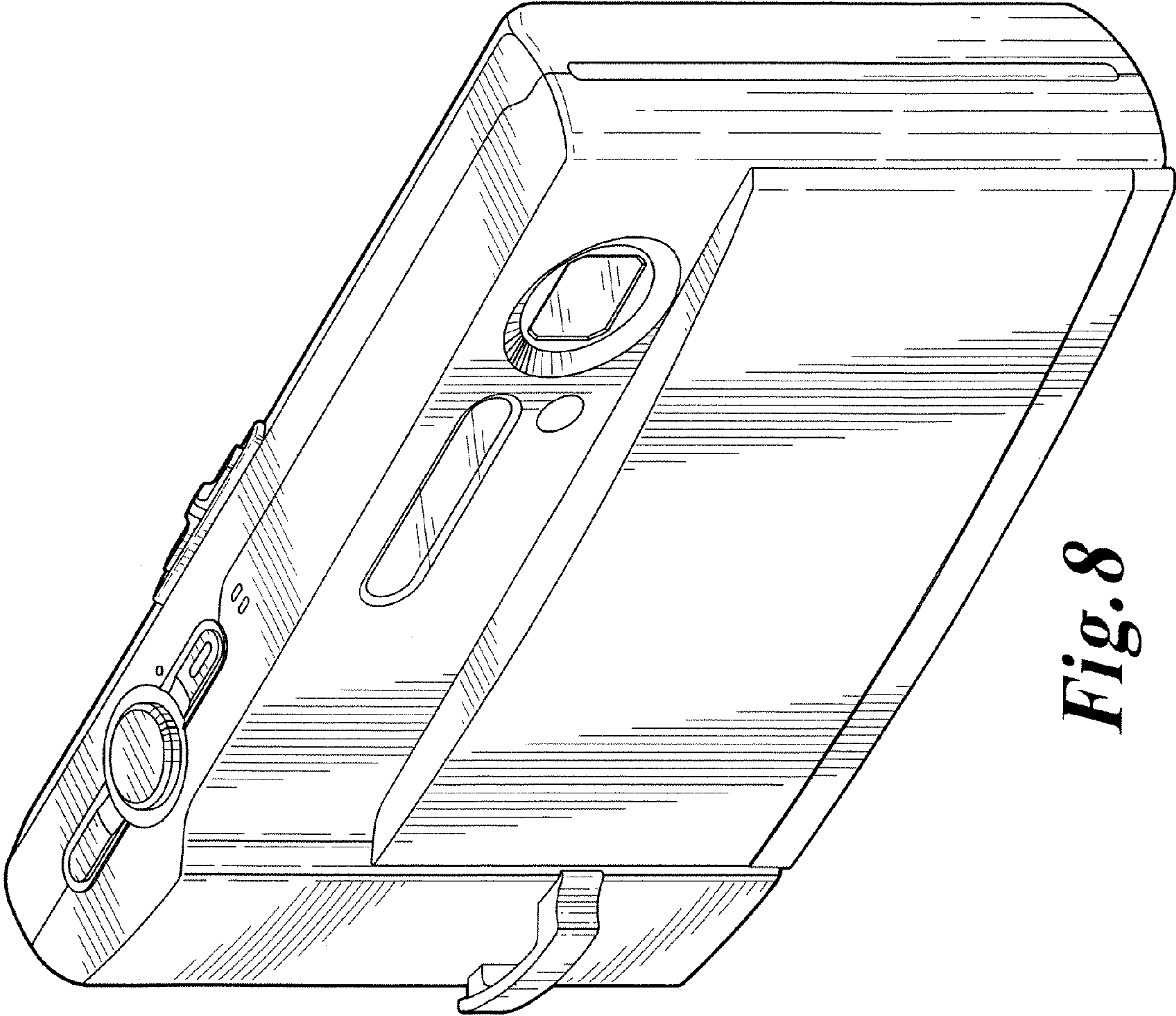


Fig. 8