



US00D570390S

(12) **United States Design Patent**
Goto

(10) **Patent No.:** **US D570,390 S**
(45) **Date of Patent:** **** Jun. 3, 2008**

(54) **COMBINED CAMERA AND MICROPHONE**

D550,265 S * 9/2007 Goto D16/202

(75) Inventor: **Teiyu Goto**, Tokyo (JP)

FOREIGN PATENT DOCUMENTS

(73) Assignee: **Sony Computer Entertainment Inc.**,
Tokyo (JP)

JP D1142204 S 5/2002
TW 335297 6/1998
TW 398853 7/2000

(**) Term: **14 Years**

OTHER PUBLICATIONS

(21) Appl. No.: **29/272,604**

Search Report issued on Oct. 22, 2007 (Taiwan).

(22) Filed: **Feb. 13, 2007**

* cited by examiner

(30) **Foreign Application Priority Data**

Sep. 21, 2006 (JP) D2006-025315

Primary Examiner—Adir Aronovich

(74) *Attorney, Agent, or Firm*—Rader, Fishman & Grauer,
PLLC

(51) **LOC (8) Cl.** **16-01**

(52) **U.S. Cl.** **D16/208**; D14/226

(58) **Field of Classification Search** D14/225–228;
D16/200–204, 208, 219; 181/158, 242; 352/1,
352/12; 348/373, 375

See application file for complete search history.

(57) **CLAIM**

The ornamental design for a combined camera and microphone, as shown and described.

(56) **References Cited**

U.S. PATENT DOCUMENTS

1,678,842 A * 7/1928 Aiken 181/242
3,027,423 A * 3/1962 Reinthaler D14/228
3,414,686 A * 12/1968 Reinthaler 181/242
D292,701 S * 11/1987 Drever D14/228
D400,549 S * 11/1998 Wakefield D16/202
D418,513 S 1/2000 Suzuki et al.
D475,070 S 5/2003 Ogura
D478,108 S 8/2003 Miyazaki
D489,057 S 4/2004 Obata et al.
D502,196 S 2/2005 Miyazaki

DESCRIPTION

FIG. 1 is a front, elevational view of a combined camera and microphone showing my new design;

FIG. 2 is a rear elevational view thereof;

FIG. 3 is a right side elevational view thereof, an undisclosed left side view being a mirror image thereof;

FIG. 4 is a top plan view thereof;

FIG. 5 is a bottom plan view thereof; and,

FIG. 6 is a perspective view thereof.

The portion of the camera in FIG. 2 shown in broken lines is for illustrative purposes only and forms no part of the claimed design.

1 Claim, 6 Drawing Sheets

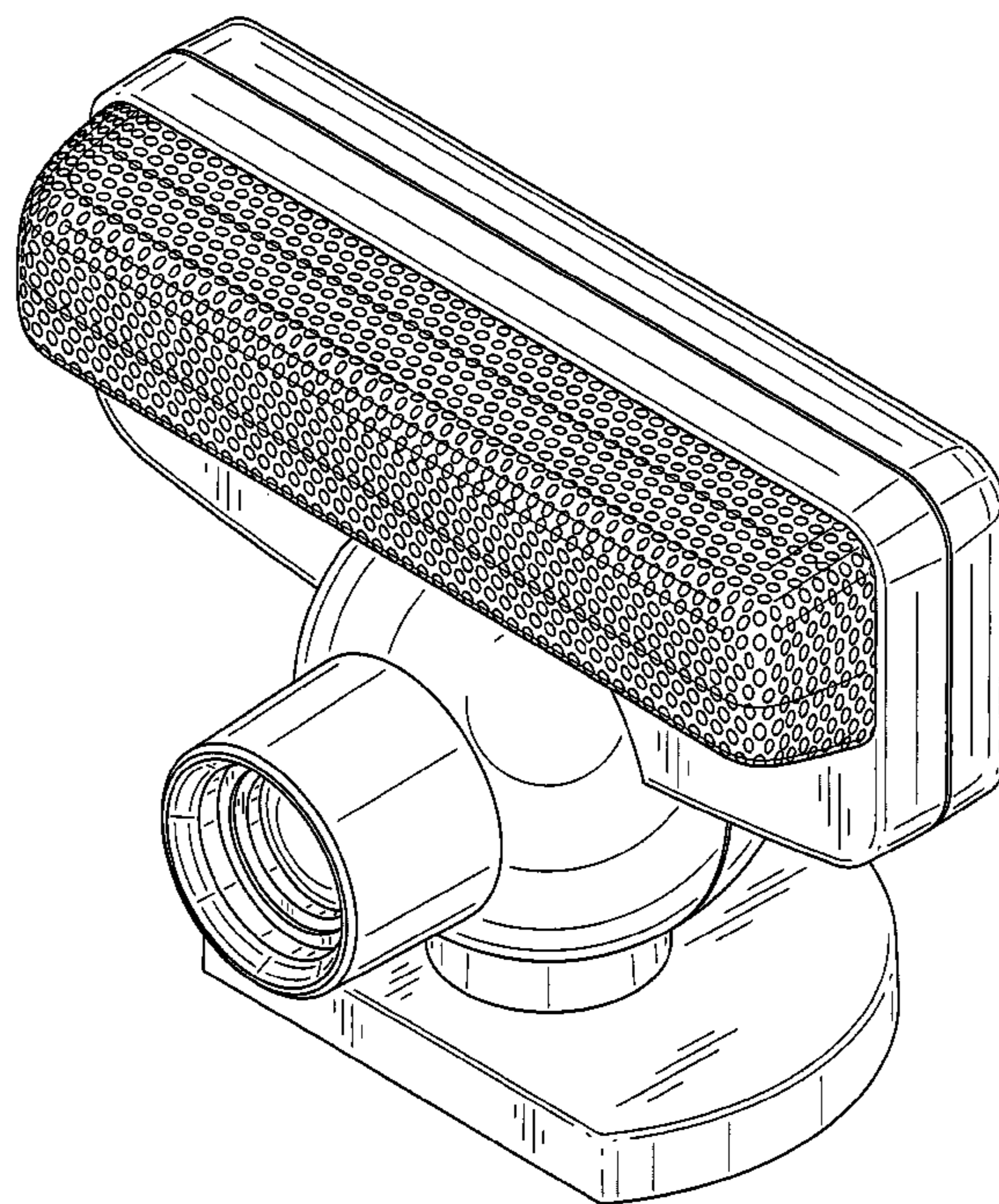


Fig.1

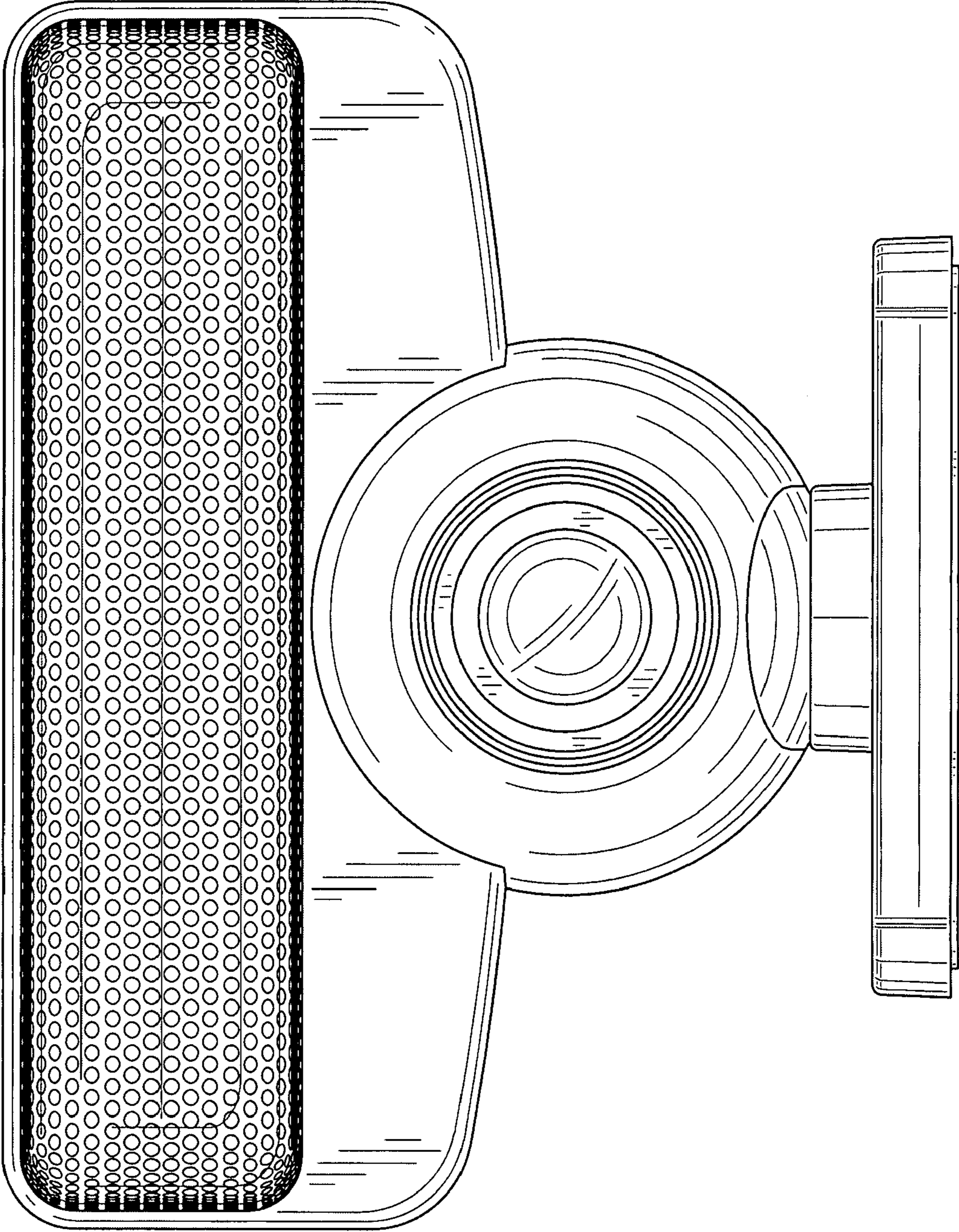


Fig.2

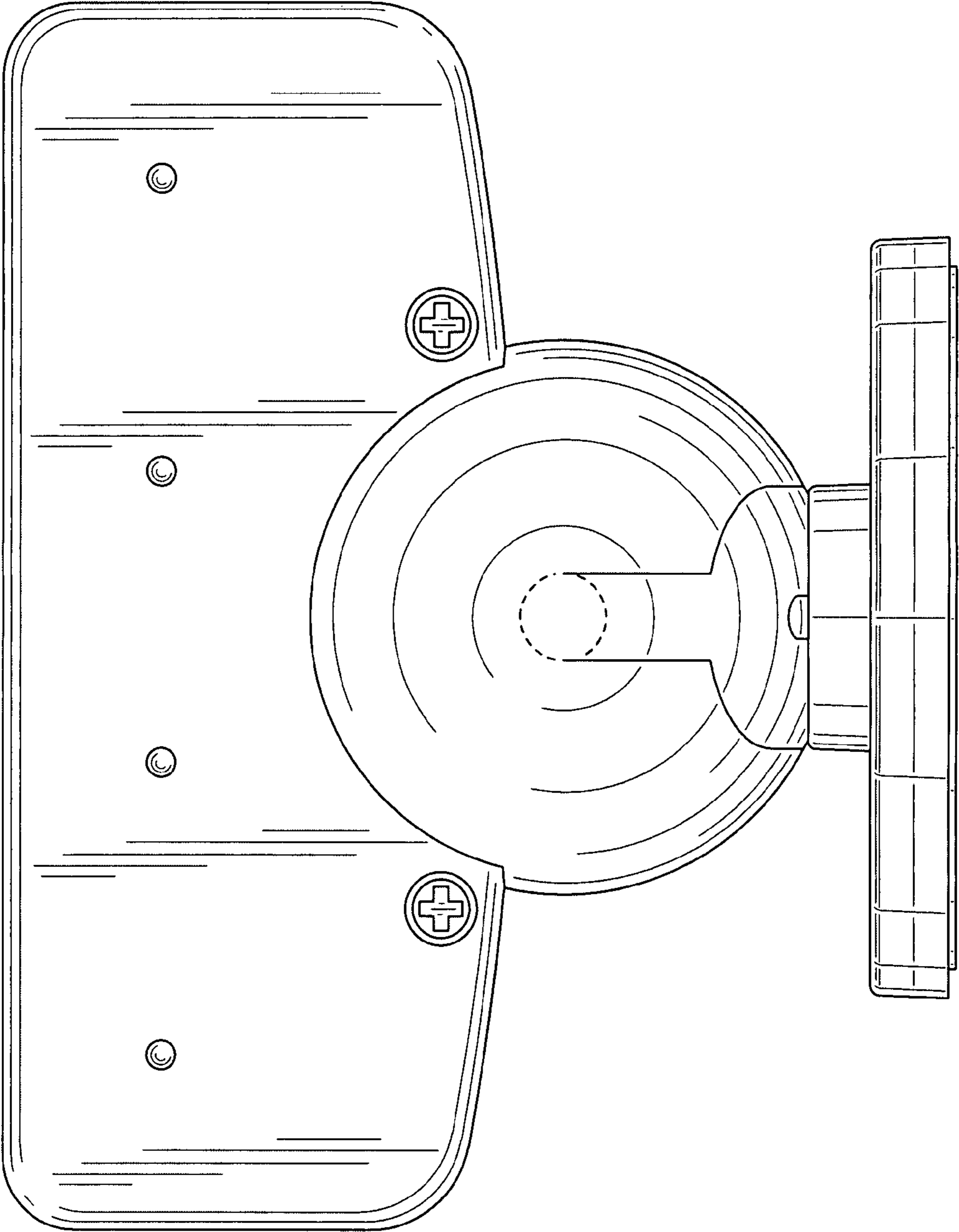


Fig.3

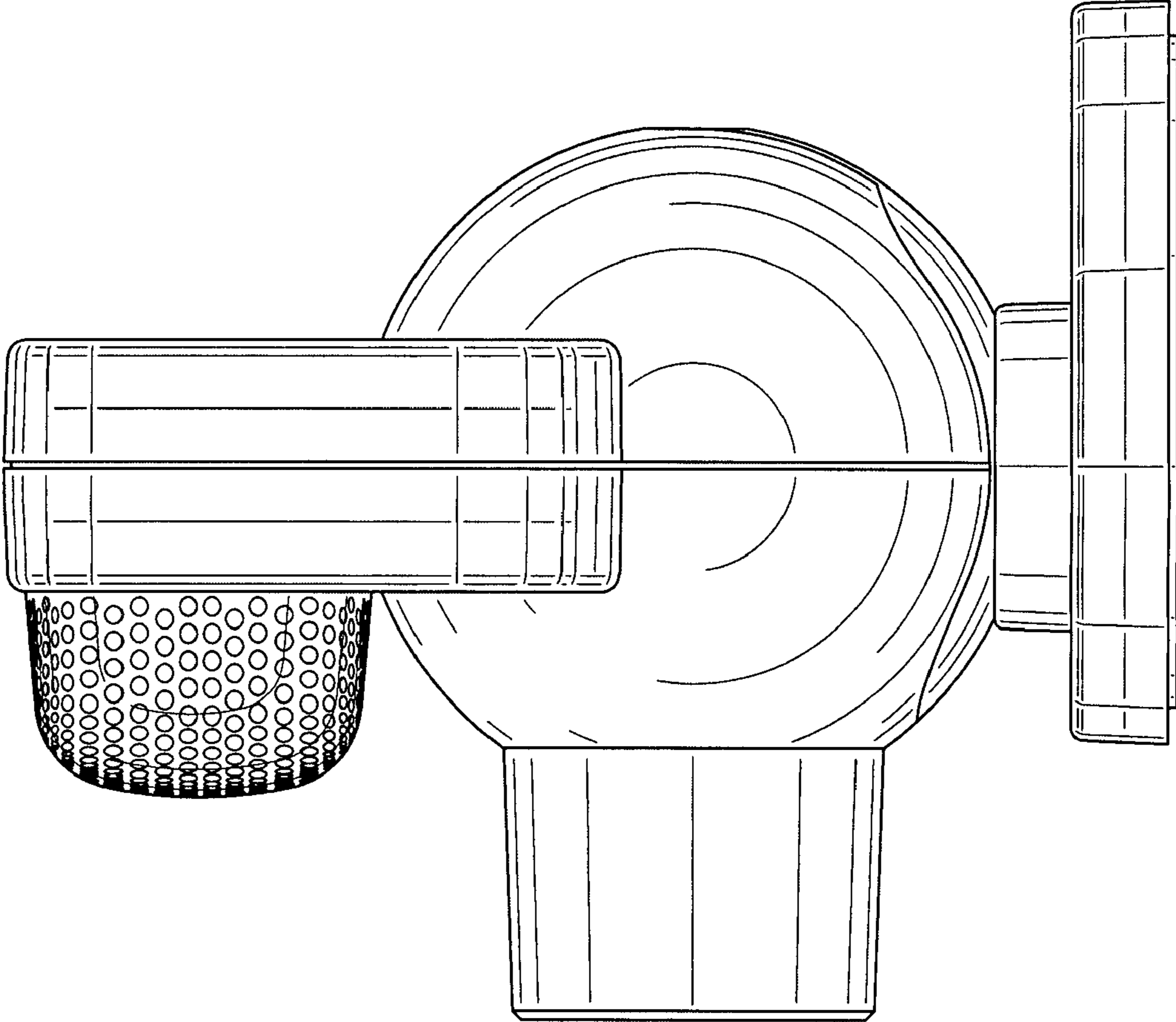


Fig.4

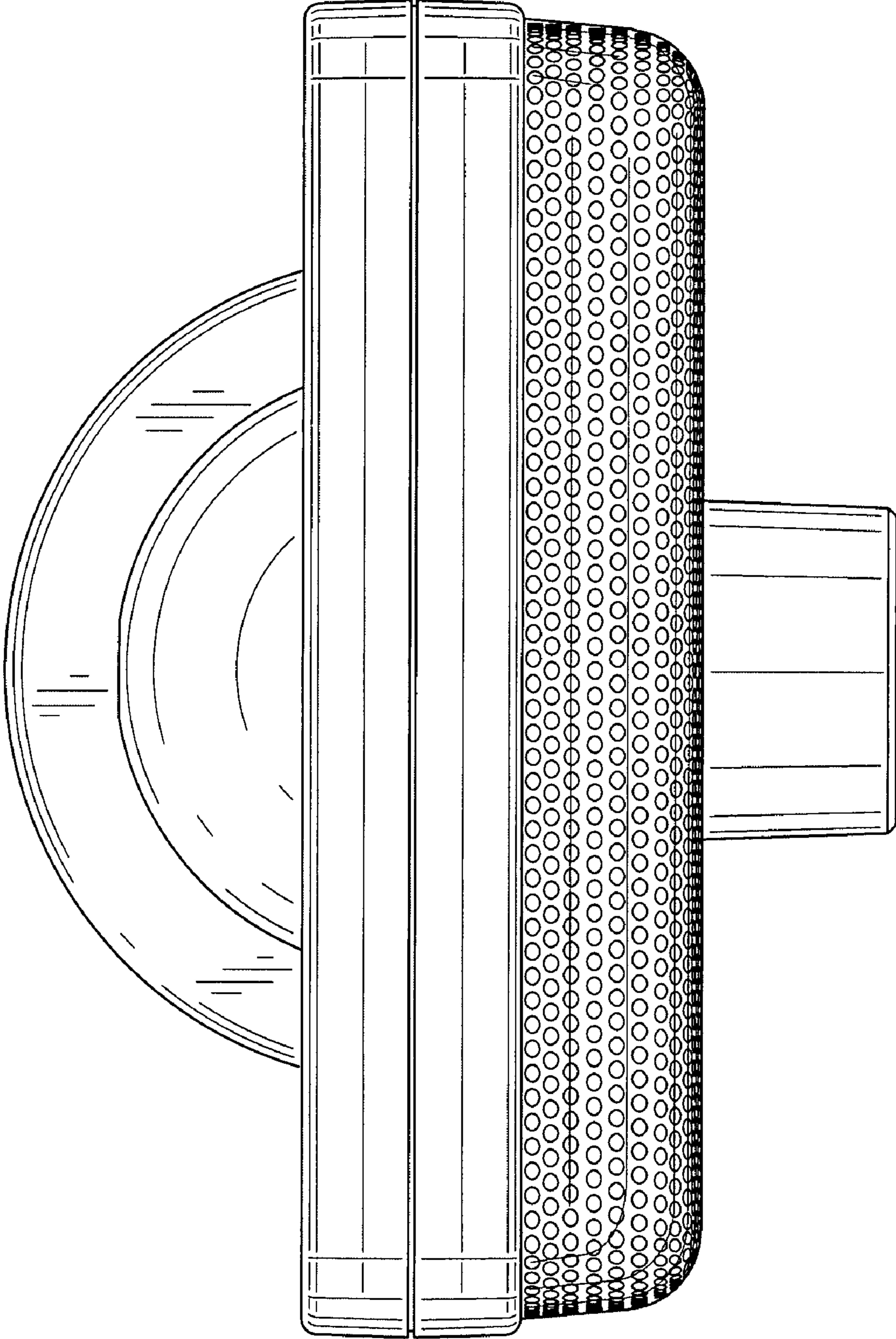


Fig.5

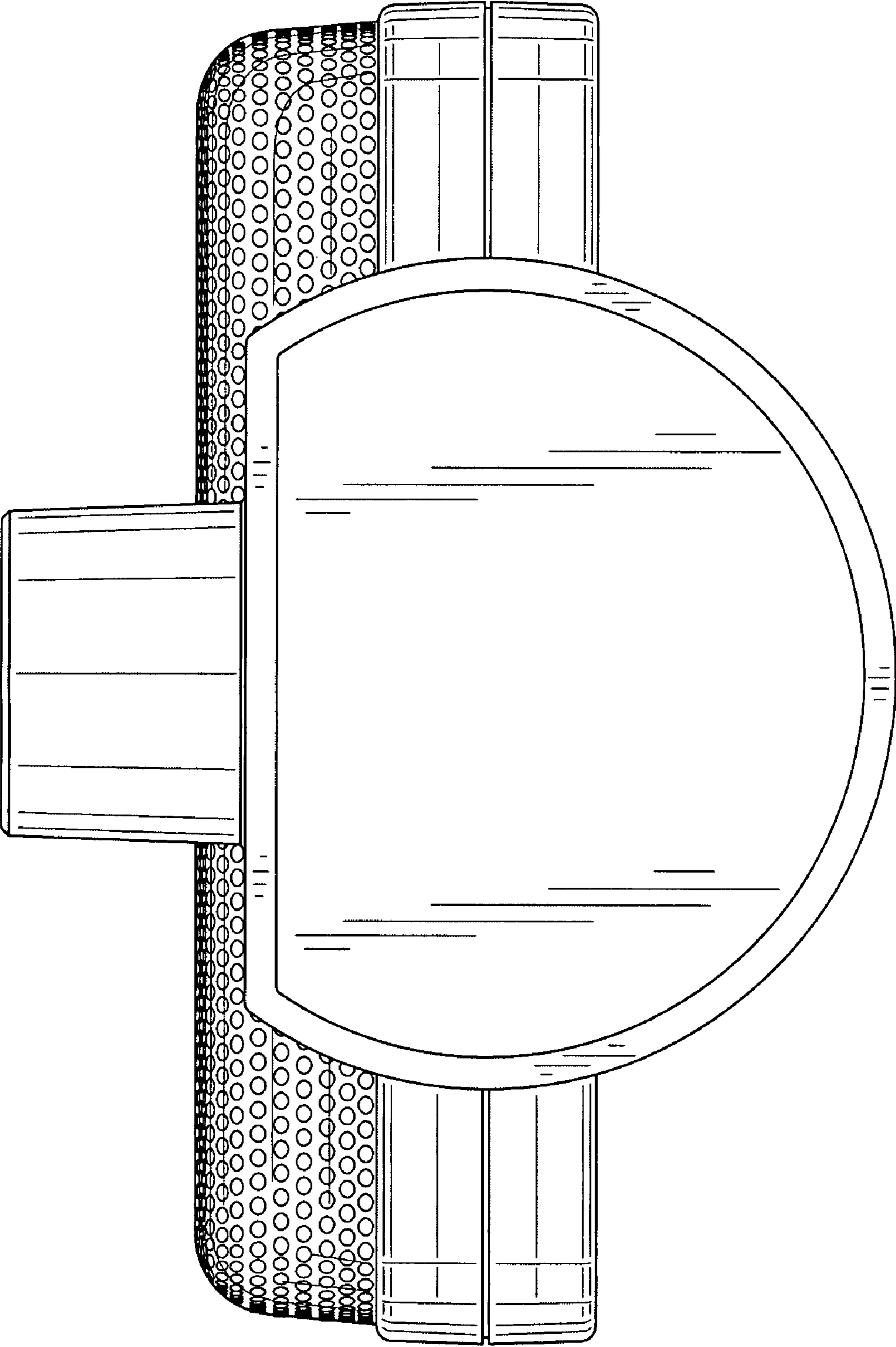


Fig.6

