

US00D570385S

(12) **United States Design Patent**  
**Chuo**

(10) **Patent No.:** **US D570,385 S**

(45) **Date of Patent:** **\*\* Jun. 3, 2008**

(54) **LINEAR ACTUATOR**

(75) Inventor: **Yung-Tsai Chuo**, Taichung (TW)

(73) Assignee: **Hiwin Mikrosystem Corp.**, Taichung (TW)

(\*\*) Term: **14 Years**

(21) Appl. No.: **29/299,234**

(22) Filed: **Dec. 20, 2007**

(51) **LOC (8) Cl.** ..... **15-09**

(52) **U.S. Cl.** ..... **D15/143; D15/148**

(58) **Field of Classification Search** ..... D15/5,  
D15/143, 148, 199; D16/132; D21/60; D23/233-249;  
74/89.15, 490.09; 297/14, 325, 327; 310/20,  
310/80; 414/560-569

See application file for complete search history.

(56) **References Cited**

**U.S. PATENT DOCUMENTS**

D98,685 S *	2/1936	Langsner .....	D16/132
D153,302 S *	4/1949	Miles .....	D16/132
2,526,816 A *	10/1950	Hardgrove .....	42/127
D263,715 S *	4/1982	Walter .....	D15/199
D264,856 S *	6/1982	Nottingham et al. ....	D21/403
4,854,657 A *	8/1989	Scott .....	359/617
D369,612 S *	5/1996	Yanagisawa .....	D16/132
D375,967 S *	11/1996	Michener .....	D15/199
5,936,765 A *	8/1999	Walsh .....	359/399
D417,680 S *	12/1999	Diebel et al. ....	D16/132

D443,628 S *	6/2001	Koshibe et al. ....	D16/132
D458,284 S *	6/2002	Landerholm et al. ....	D15/143
D469,791 S *	2/2003	Newton et al. ....	D15/148
D482,707 S *	11/2003	Kowalski .....	D15/143
D484,898 S *	1/2004	Moro .....	D16/132
D502,477 S *	3/2005	Beadle et al. ....	D15/148
D522,546 S *	6/2006	Beadle et al. ....	D15/148
D523,880 S *	6/2006	Christensen et al. ....	D15/143
2003/0076597 A1 *	4/2003	Chang .....	359/617

\* cited by examiner

*Primary Examiner*—Sandra Snapp

*Assistant Examiner*—Patricia Palasik

(74) *Attorney, Agent, or Firm*—Banger Shia

(57) **CLAIM**

The ornamental design for a linear actuator, as shown and described.

**DESCRIPTION**

FIG. 1 is a perspective view of a linear actuator showing my new design;

FIG. 2 is a front elevational view thereof;

FIG. 3 is a rear elevational view thereof,

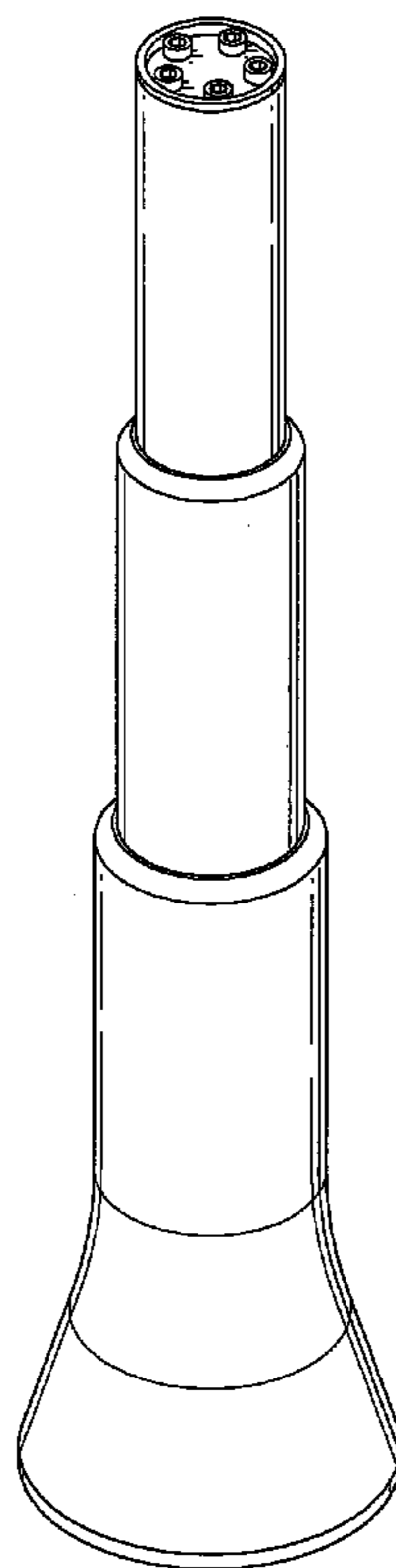
FIG. 4 is a left side elevational view thereof,

FIG. 5 is a right side elevational view thereof,

FIG. 6 is a top plan view thereof; and,

FIG. 7 is a bottom plan view thereof.

**1 Claim, 6 Drawing Sheets**



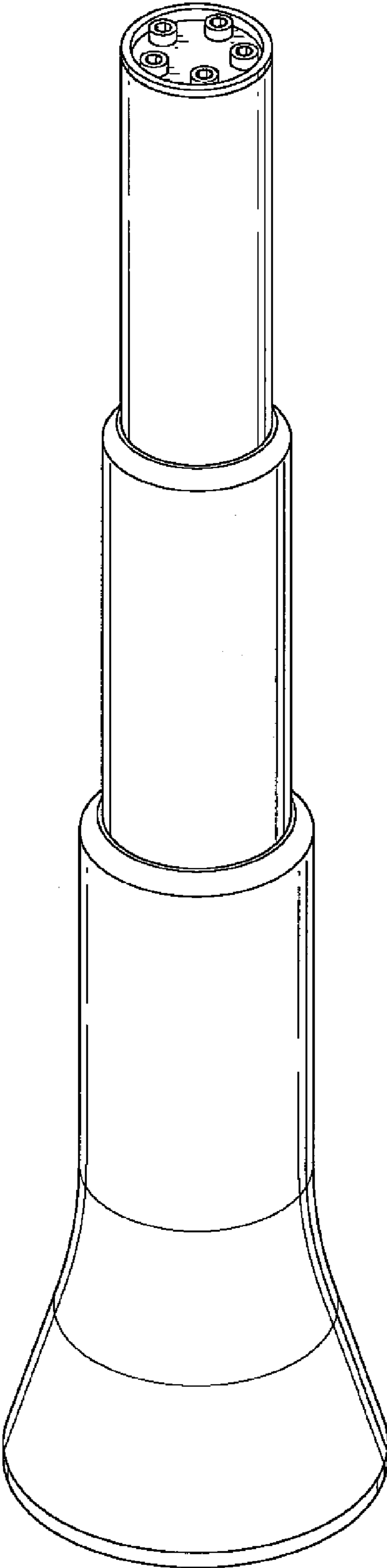


FIG. 1

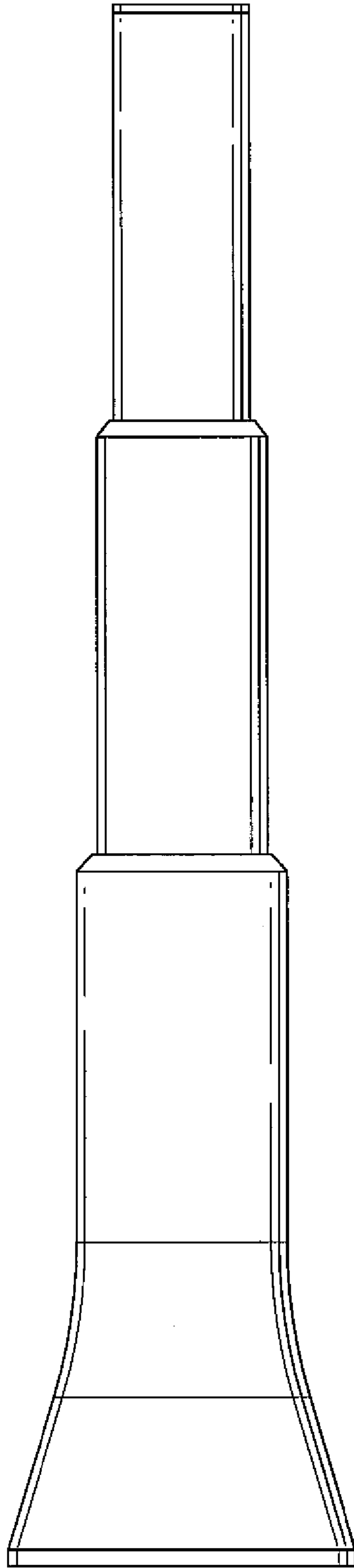


FIG. 2

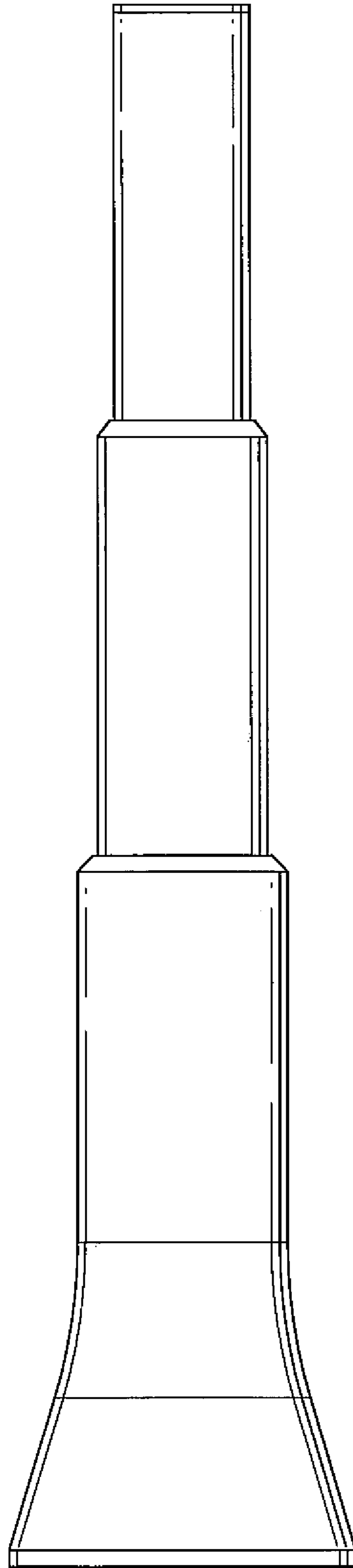


FIG. 3

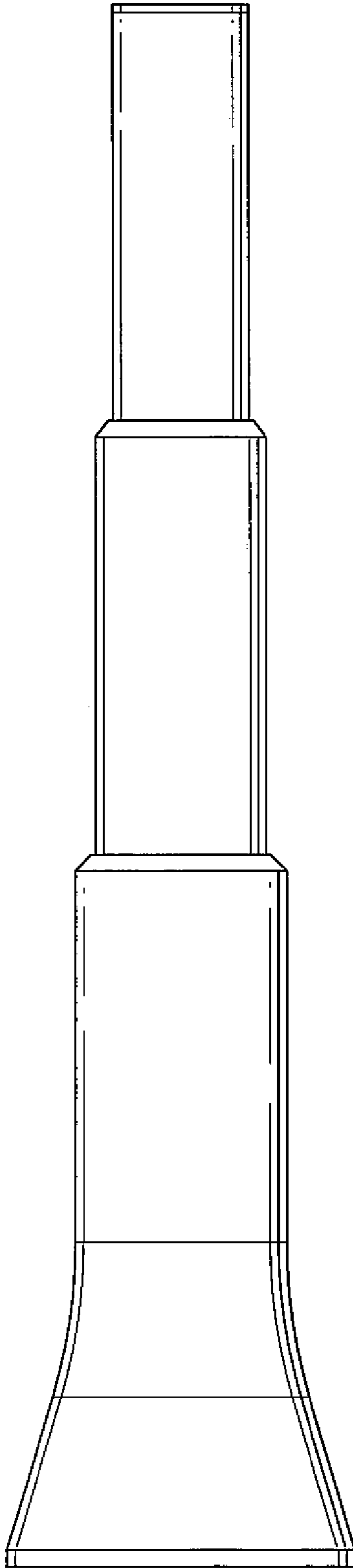


FIG. 4

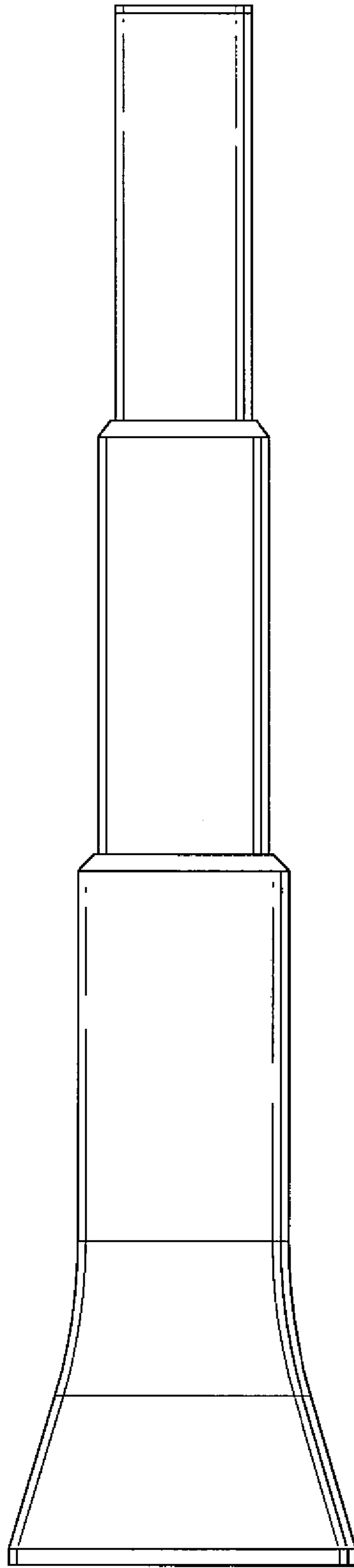


FIG. 5

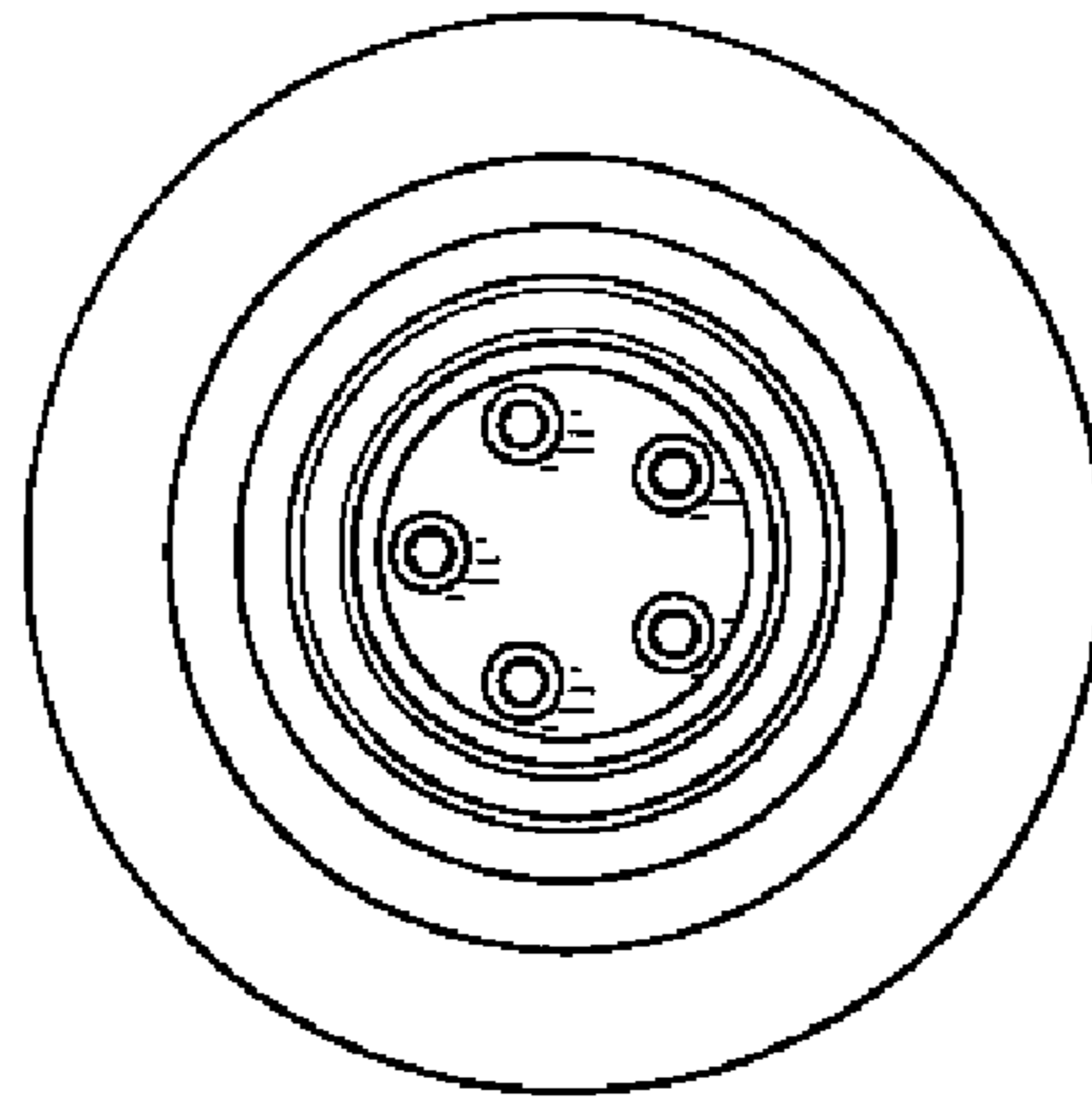


FIG. 6

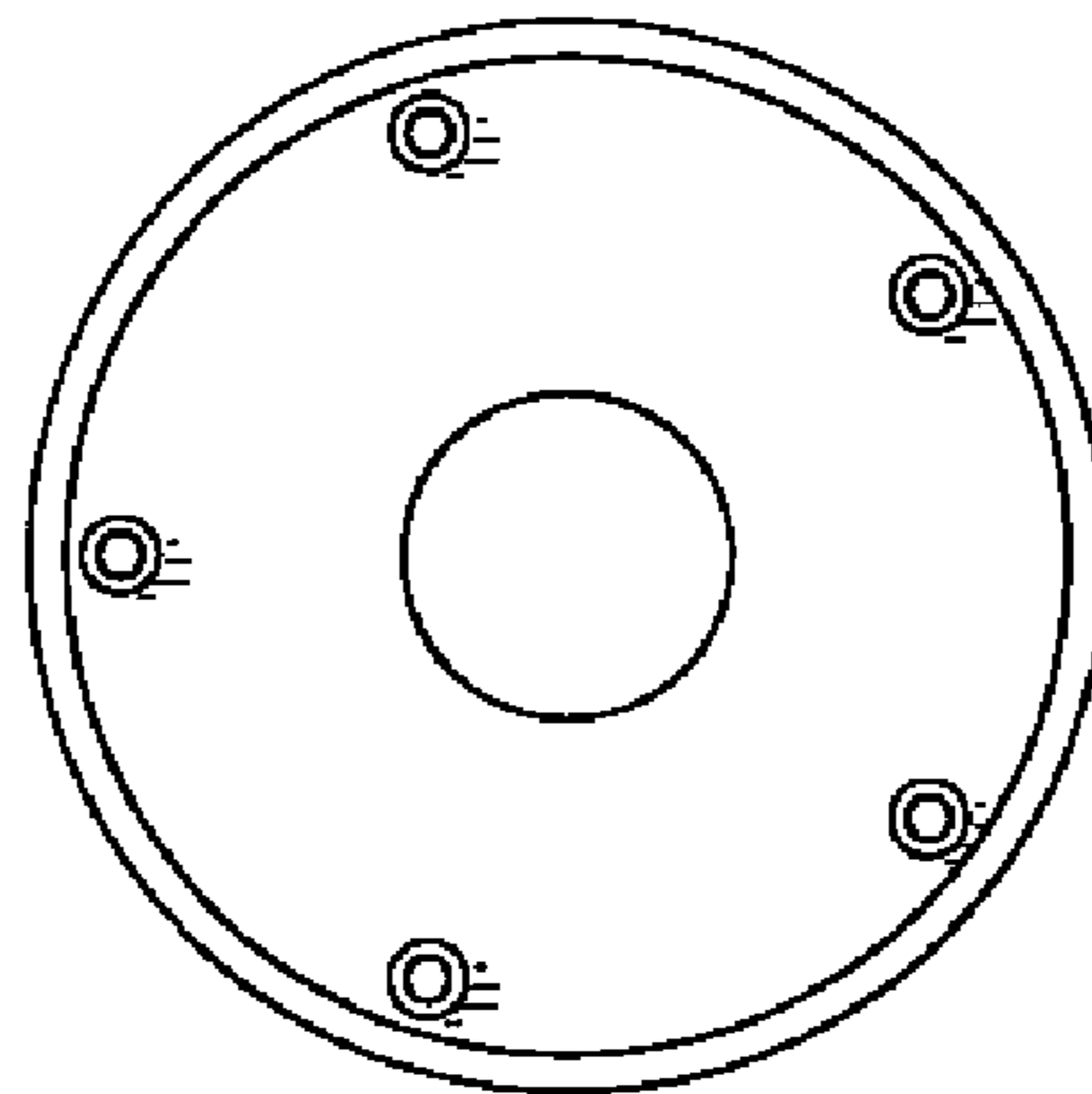


FIG. 7