



US00D570384S

(12) **United States Design Patent**
Morozov

(10) **Patent No.:** **US D570,384 S**
(45) **Date of Patent:** **** Jun. 3, 2008**

(54) **SUBSTRATE FOR MANUFACTURING CUTTING ELEMENTS**

(76) Inventor: **Konstantin Evgenievich Morozov**, 10 Dunning Road, Dunnottar, Nigel, Gauteng (ZA) 1496

(**) Term: **14 Years**

(21) Appl. No.: **29/296,464**

(22) Filed: **Oct. 22, 2007**

(51) **LOC (8) Cl.** **15-09**

(52) **U.S. Cl.** **D15/139**

(58) **Field of Classification Search** D15/126, D15/127, 138, 139; D18/17; 156/242; 175/374, 175/434; 407/113-118; 408/145; 451/540-548
See application file for complete search history.

(56) **References Cited**

U.S. PATENT DOCUMENTS

3,628,292	A *	12/1971	Rue	451/541
3,817,000	A *	6/1974	Holm	451/540
4,984,642	A *	1/1991	Renard et al.	407/118
D367,291	S *	2/1996	Winston	D18/17
D377,655	S *	1/1997	Smith	D15/139
5,957,228	A *	9/1999	Yorston et al.	175/430
6,045,440	A *	4/2000	Johnson et al.	451/540
6,202,771	B1 *	3/2001	Scott et al.	175/432
6,315,066	B1 *	11/2001	Dennis	408/145

6,315,652	B1 *	11/2001	Snyder et al.	451/540
6,371,226	B1 *	4/2002	Caraway	175/434
D502,952	S *	3/2005	Achilles et al.	D15/139
6,904,983	B2 *	6/2005	Thigpen et al.	175/434
6,962,218	B2 *	11/2005	Eyre	175/432
D515,620	S *	2/2006	Lien	D18/17
7,243,745	B2 *	7/2007	Skeem et al.	175/434
2007/0062737	A1 *	3/2007	Hall et al.	175/434
2007/0077864	A1 *	4/2007	Thomas et al.	451/548

* cited by examiner

Primary Examiner—Sandra Snapp

Assistant Examiner—Patricia Palasik

(74) *Attorney, Agent, or Firm*—Frommer Lawrence & Haug LLP; Ronald R. Santucci

(57) **CLAIM**

The ornamental design for a substrate for manufacturing cutting elements, as shown and described.

DESCRIPTION

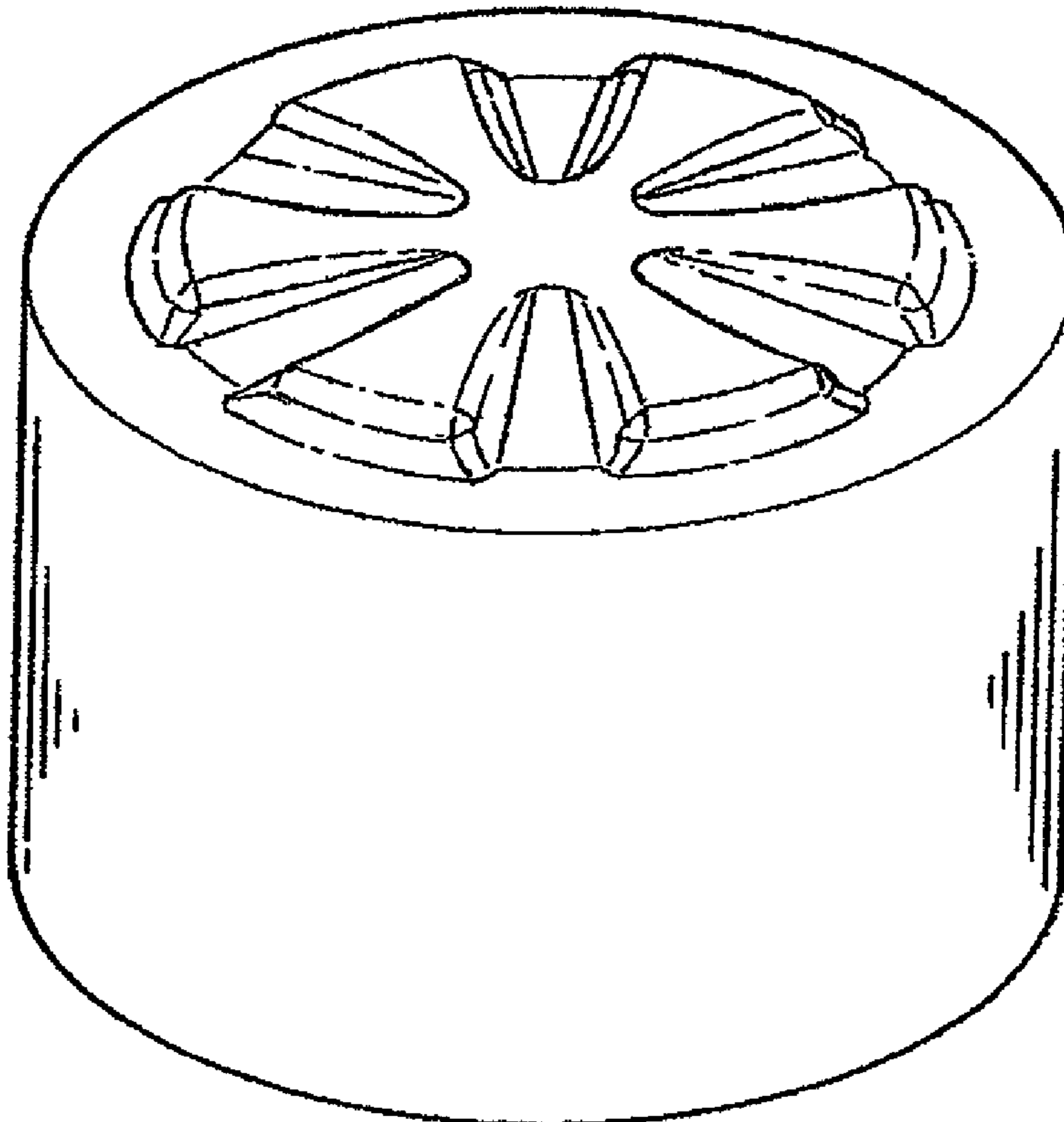
FIG. 1 is a perspective view of a substrate showing my new design;

FIG. 2 is a top view of the substrate of FIG. 1;

FIG. 3 is a side view of the substrate of FIG. 1; and,

FIG. 4 is a bottom view of the substrate of FIG. 1.

1 Claim, 4 Drawing Sheets



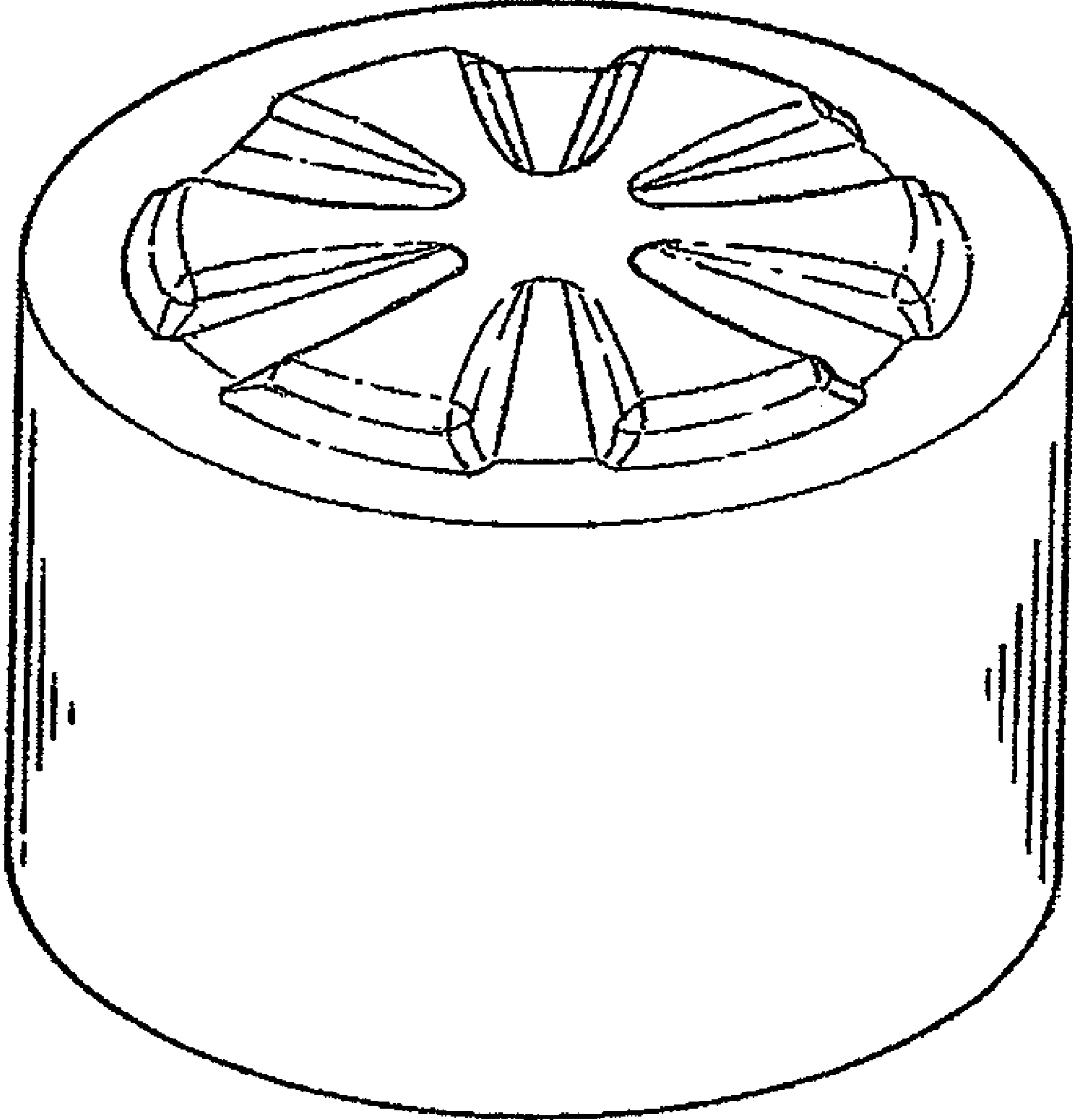


Fig. 1

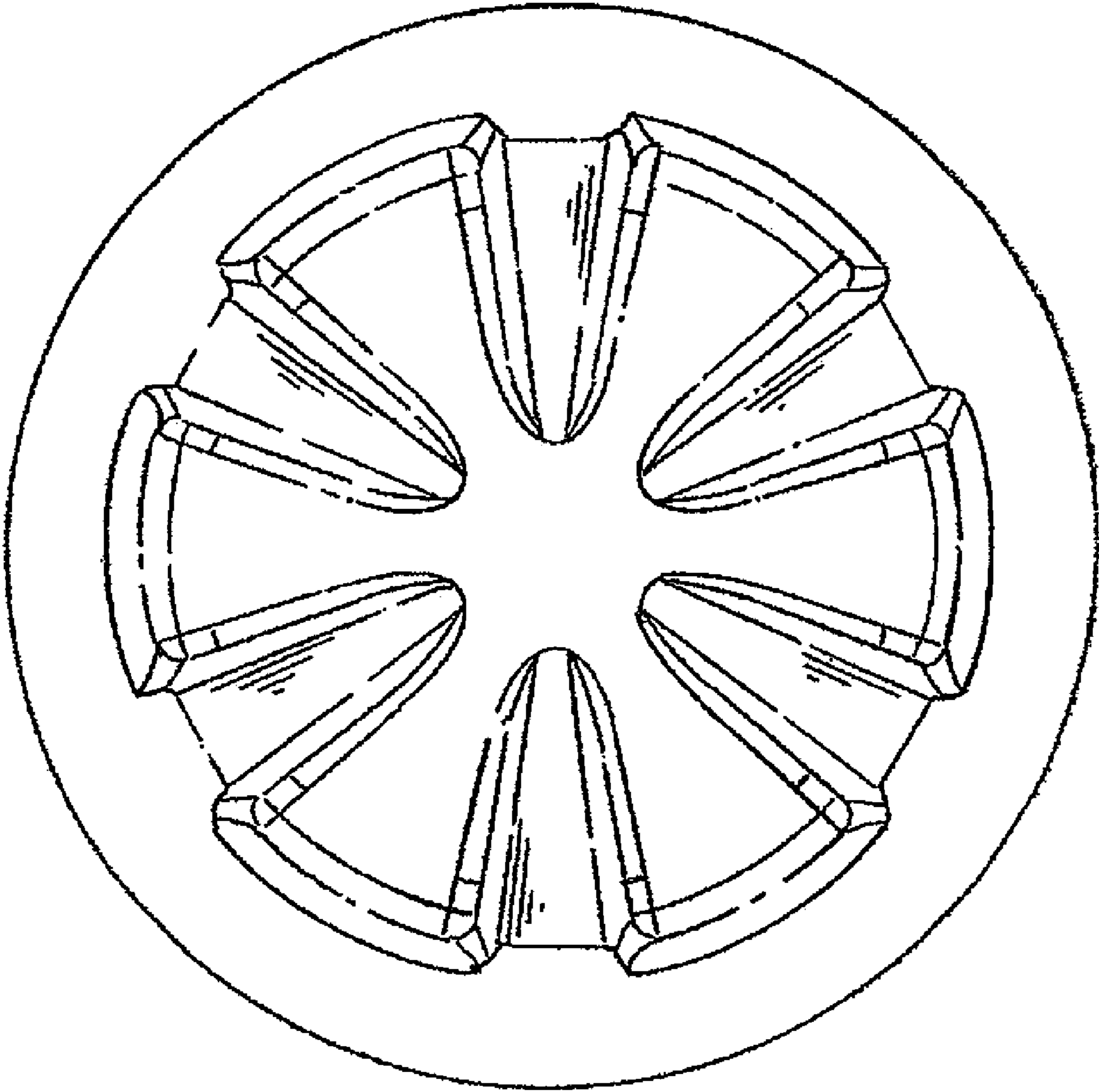


Fig. 2

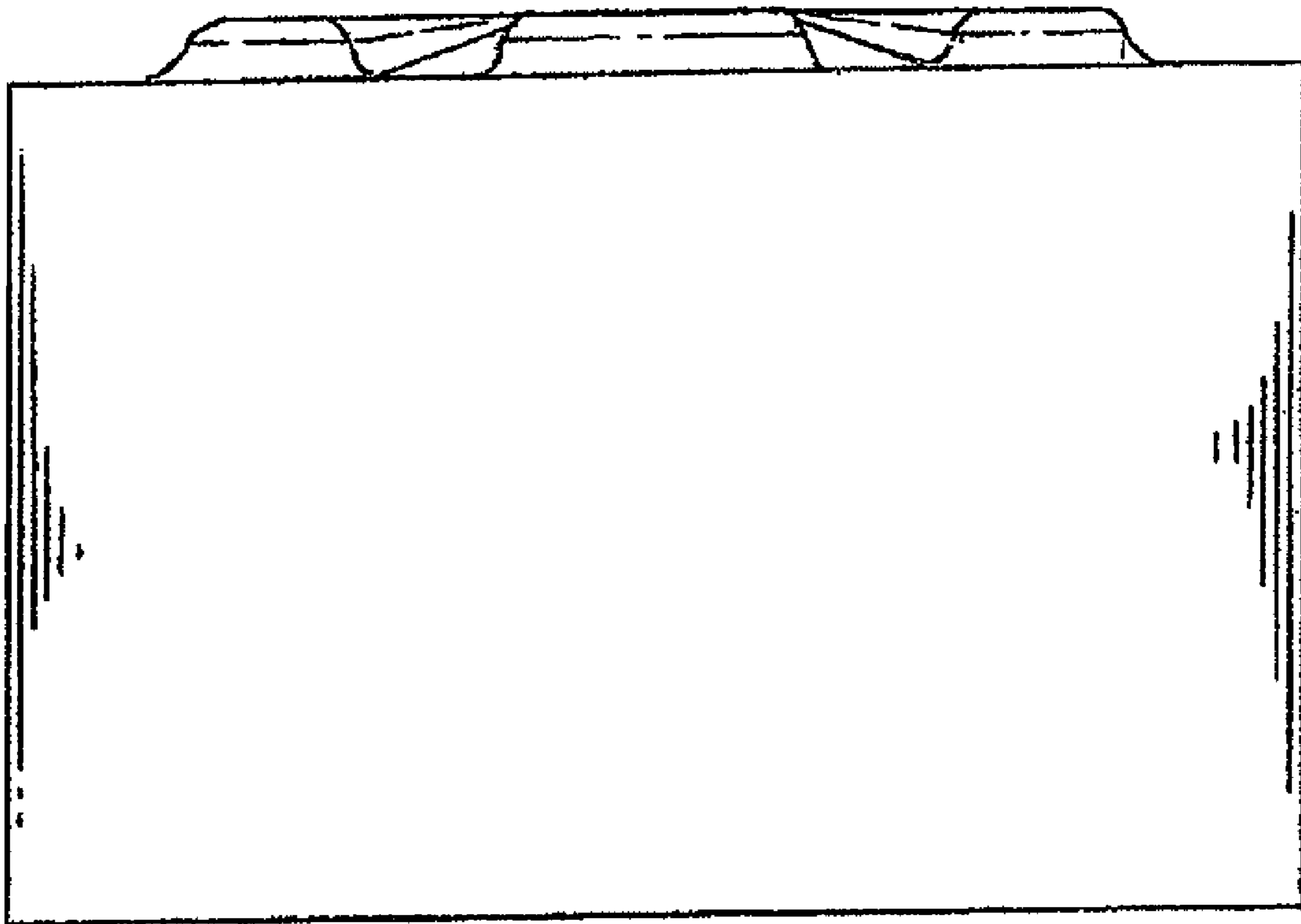


Fig. 3

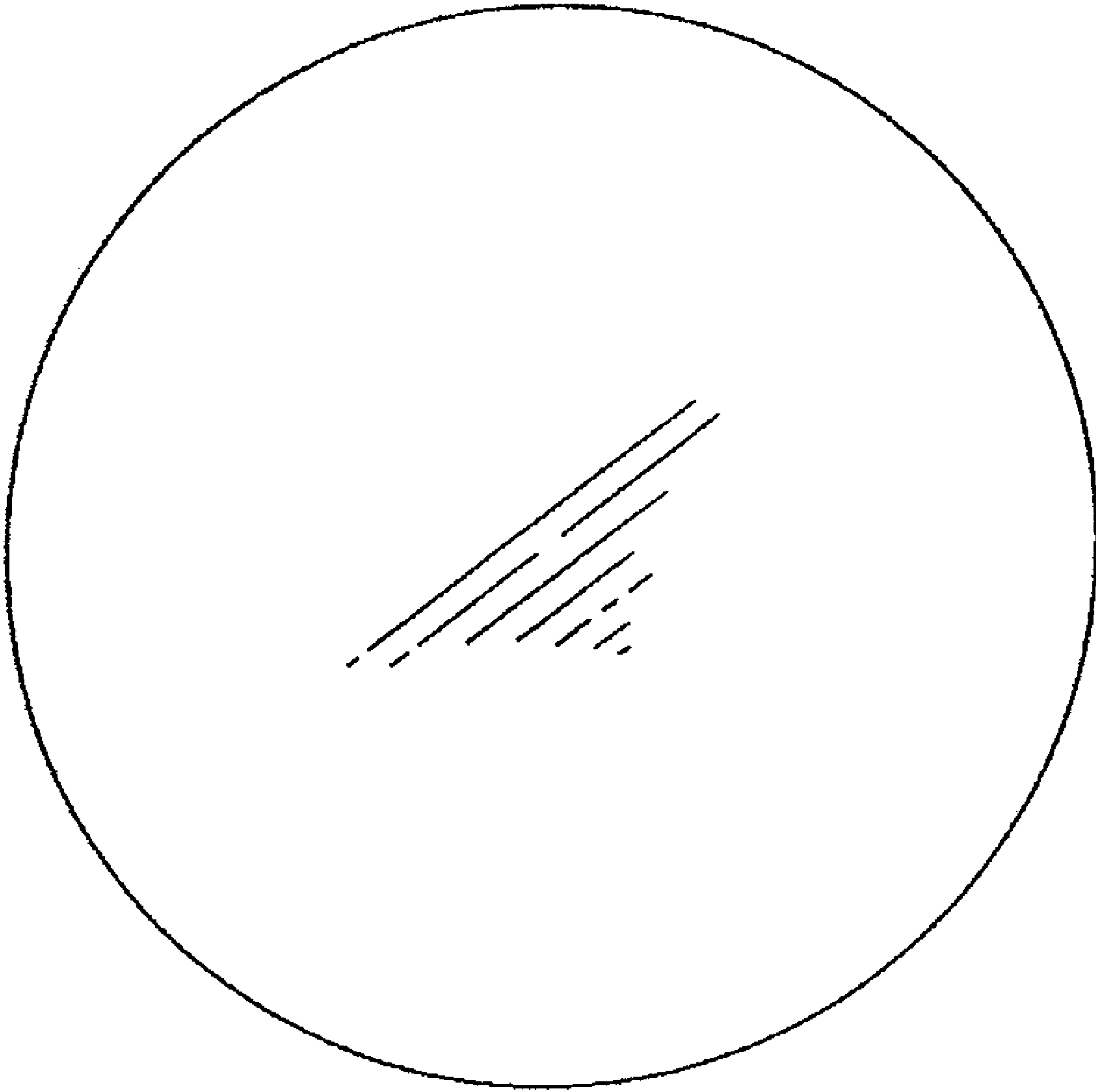


Fig. 4