

US00D570383S

(12) **United States Design Patent**  
**Hung et al.**

(10) **Patent No.:** **US D570,383 S**  
(45) **Date of Patent:** **\*\* Jun. 3, 2008**

(54) **TEMPLATE FOR ASSISTING IN SURFACE TREATMENT**

(75) Inventors: **Sheng-Feng Hung**, Shindian (TW);  
**Tzu-Cheng Yu**, Shindian (TW);  
**Yu-Chuan Liang**, Shindian (TW);  
**Chao Liu**, Shenzhen (CN); **Hong-Xiu Luo**, Shenzhen (CN)

(73) Assignees: **Shenzhen Futaihong Precision Industry Co., Ltd.**, Shenzhen, Guangdong Province (CN); **Sutech Trading Limited**, Tortola (VG)

(\*\*) Term: **14 Years**

(21) Appl. No.: **29/262,811**

(22) Filed: **Jul. 11, 2006**

(30) **Foreign Application Priority Data**

Mar. 31, 2006 (CN) ..... 2006 3 0015762

(51) **LOC (8) Cl.** ..... **15-09**

(52) **U.S. Cl.** ..... **D15/138**

(58) **Field of Classification Search** ..... D15/141,  
D15/199, 138, 139; D7/407; 33/562, 568;  
427/309, 327, 352; 428/271, 472  
See application file for complete search history.

(56) **References Cited**

**U.S. PATENT DOCUMENTS**

5,848,478 A \* 12/1998 Duncan ..... 33/562

D434,601 S *	12/2000	Lewis et al. ....	D7/407
6,550,153 B1 *	4/2003	Keith .....	33/562
6,643,945 B1 *	11/2003	Starks .....	33/562
6,796,051 B2 *	9/2004	Trice et al. ....	33/562
6,892,466 B2 *	5/2005	Kurz et al. ....	33/562
2004/0081837 A1 *	4/2004	Nomura et al. ....	428/469
2007/0240323 A1 *	10/2007	Hung et al. ....	33/562

\* cited by examiner

*Primary Examiner*—Sandra Snapp

*Assistant Examiner*—Patricia Palasik

(74) *Attorney, Agent, or Firm*—Jeffrey T. Knapp

(57) **CLAIM**

The ornamental design for a template for assisting in surface treatment, as shown and described.

**DESCRIPTION**

FIG. 1 is a perspective view of a template for assisting in surface treatment showing our new design;

FIG. 2 is a front elevational view thereof;

FIG. 3 is a rear elevational view thereof;

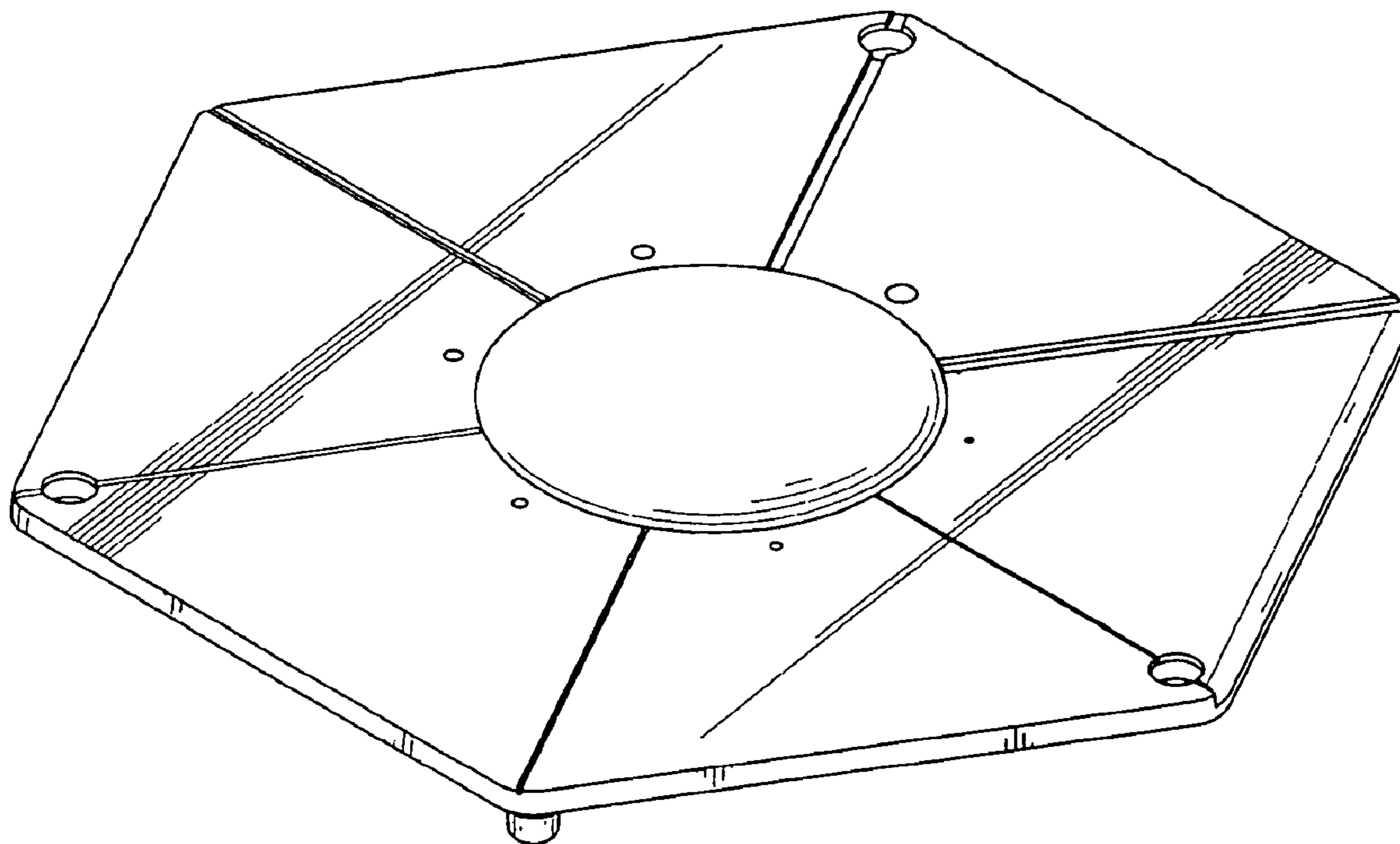
FIG. 4 is a left side elevational view thereof;

FIG. 5 is a right side elevational view thereof;

FIG. 6 is a top plan view thereof; and,

FIG. 7 is a bottom plan view thereof.

**1 Claim, 5 Drawing Sheets**



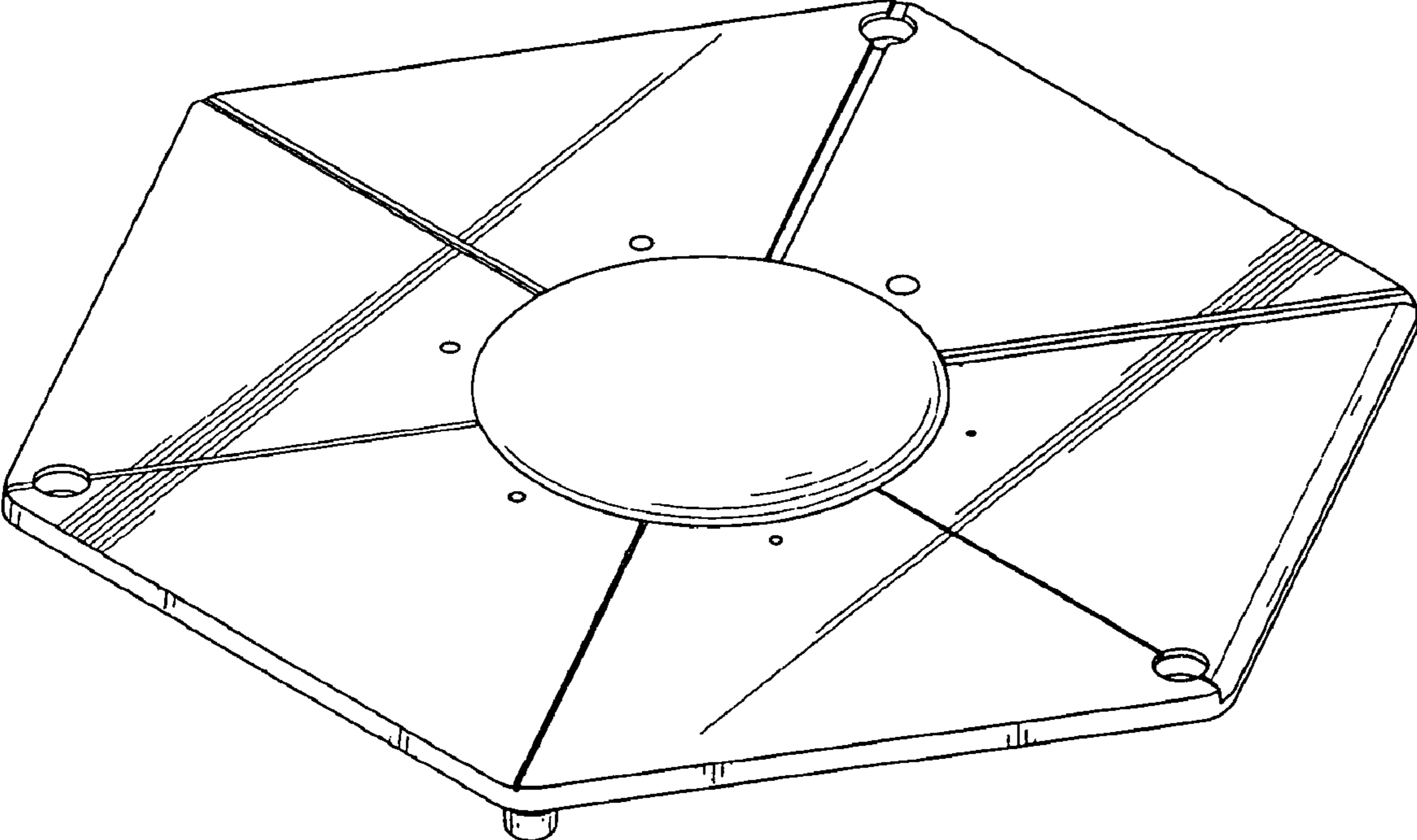


FIG. 1

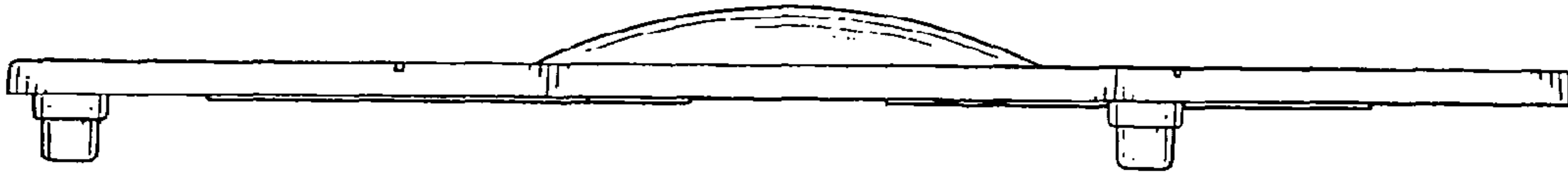


FIG. 2



FIG. 3

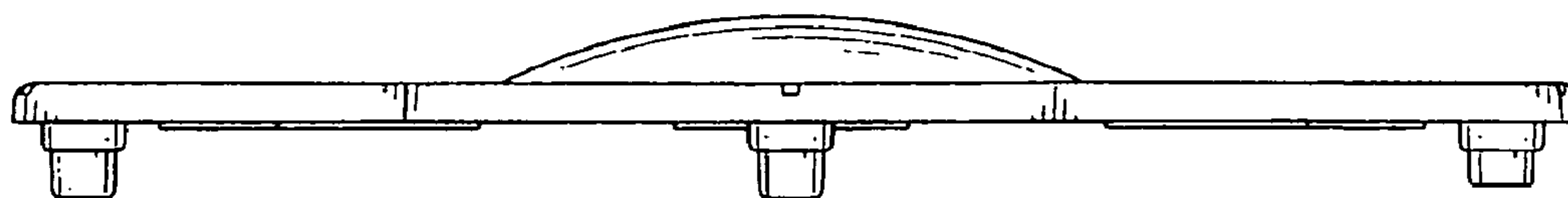


FIG. 4

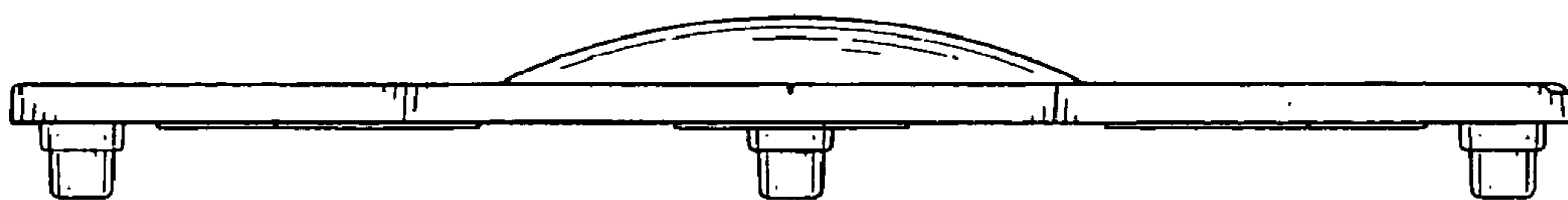


FIG. 5

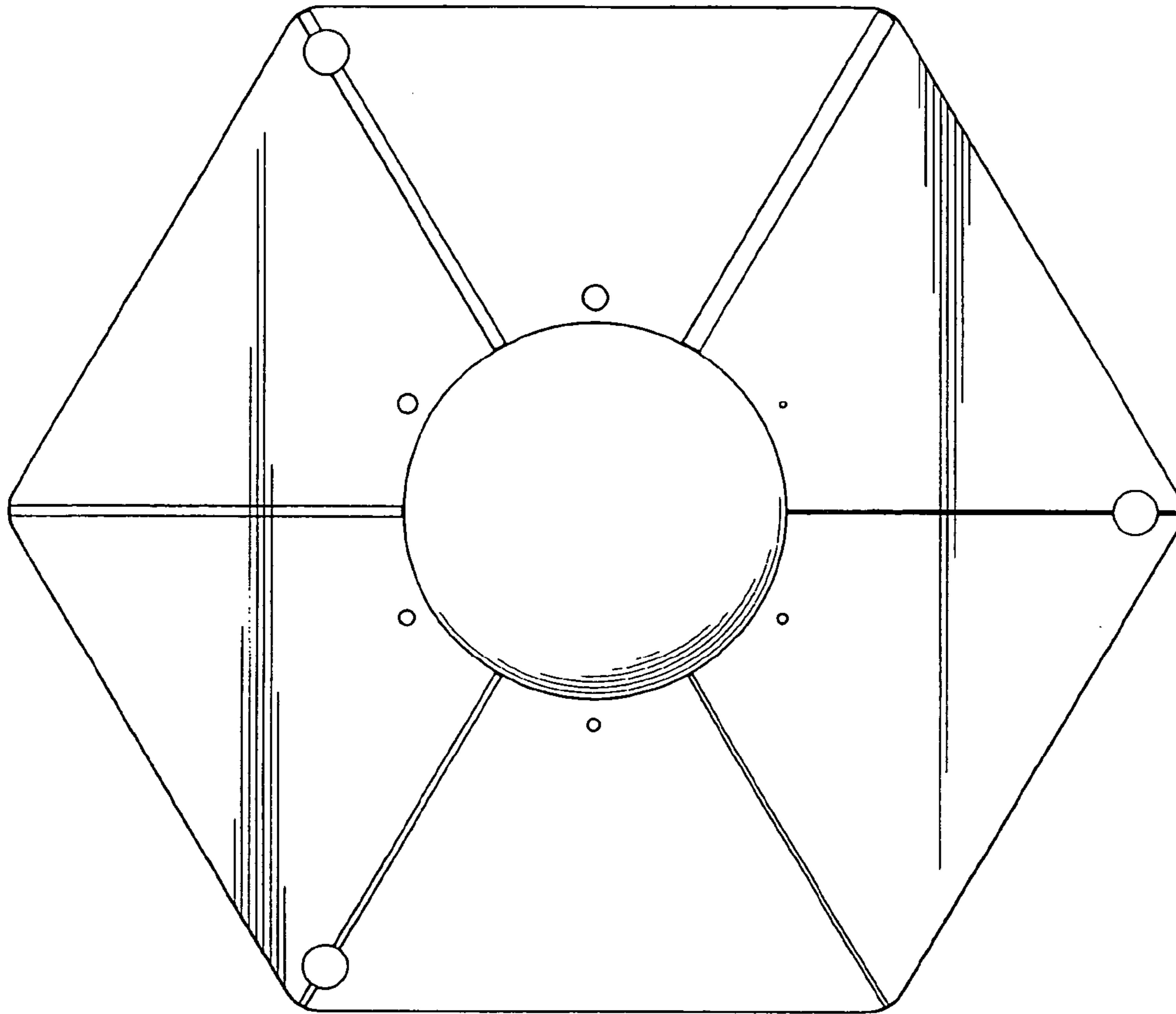


FIG. 6

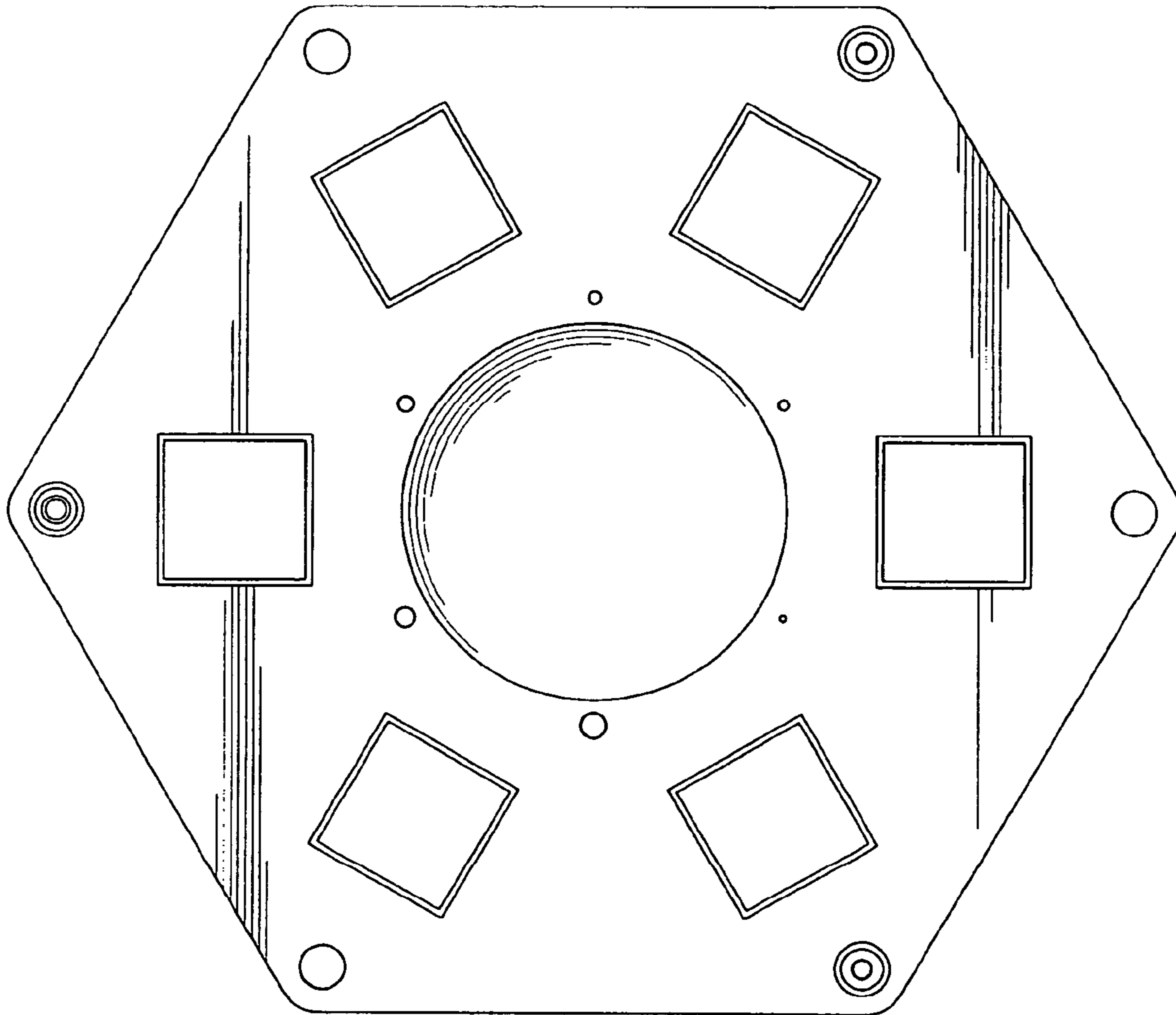


FIG. 7