



US00D570381S

(12) **United States Design Patent**  
**Kato**

(10) **Patent No.:** **US D570,381 S**  
(45) **Date of Patent:** **\*\* Jun. 3, 2008**

(54) **CABIN FOR WORKING VEHICLES**

(75) Inventor: **Naoto Kato**, Kariya (JP)

(73) Assignee: **Kabushiki Kaisha Toyota Jidoshokki**,  
Kariya-shi (JP)

(\*\*) Term: **14 Years**

(21) Appl. No.: **29/292,700**

(22) Filed: **Oct. 23, 2007**

(30) **Foreign Application Priority Data**

Apr. 24, 2007 (JP) ..... 2007-011046

(51) **LOC (8) Cl.** ..... **15-03**

(52) **U.S. Cl.** ..... **D15/30**

(58) **Field of Classification Search** ..... D15/22-28,  
D15/30, 33; D12/96; D34/34, 37; 180/89.1,  
180/89.12, 89.14, 68.6, 900; 414/503, 914,  
414/686; 428/131; 280/756; 296/102, 190.08,  
296/190.01

See application file for complete search history.

(56) **References Cited**

**U.S. PATENT DOCUMENTS**

- D231,482 S \* 4/1974 Bauer ..... D15/25
- 4,055,262 A \* 10/1977 Bauer et al. .... 414/697
- 4,060,261 A \* 11/1977 Bauer et al. .... 280/756
- D247,814 S \* 5/1978 Johnson et al. .... D15/23
- D251,088 S \* 2/1979 Johnson et al. .... D15/23
- D259,631 S 6/1981 Ramacciotti
- D271,397 S \* 11/1983 Kuhn et al. .... D15/25
- D272,825 S 2/1984 Cochran et al.
- D272,826 S 2/1984 Cochran et al.
- D314,389 S \* 2/1991 Lynnes et al. .... D15/25
- D317,926 S 7/1991 Lynnes et al.
- 5,029,918 A \* 7/1991 Albright et al. .... 293/126
- 5,042,602 A \* 8/1991 Nakatani et al. .... 180/68.1
- D322,792 S 12/1991 Park
- 5,078,568 A \* 1/1992 Lynnes ..... 414/680
- D365,351 S \* 12/1995 Schroyer ..... D15/28
- 5,547,244 A \* 8/1996 Lee ..... 296/102
- D376,372 S 12/1996 Little et al.

- 5,807,061 A \* 9/1998 Donoghue et al. .... 414/710
- 5,941,330 A \* 8/1999 Miller et al. .... 180/89.15
- D419,568 S 1/2000 Baig et al.
- D423,521 S 4/2000 Walter et al.
- D424,778 S 5/2000 Dahl et al.
- 6,102,471 A \* 8/2000 Sasser et al. .... 296/190.05

(Continued)

**FOREIGN PATENT DOCUMENTS**

- JP 0863011 3/1993
- JP 1070695 5/2000
- JP 1193286 1/2004
- JP 1229609 2/2005

*Primary Examiner*—Stella M. Reid  
*Assistant Examiner*—Mark A Goodwin  
(74) *Attorney, Agent, or Firm*—Morgan & Finnegan, LLP

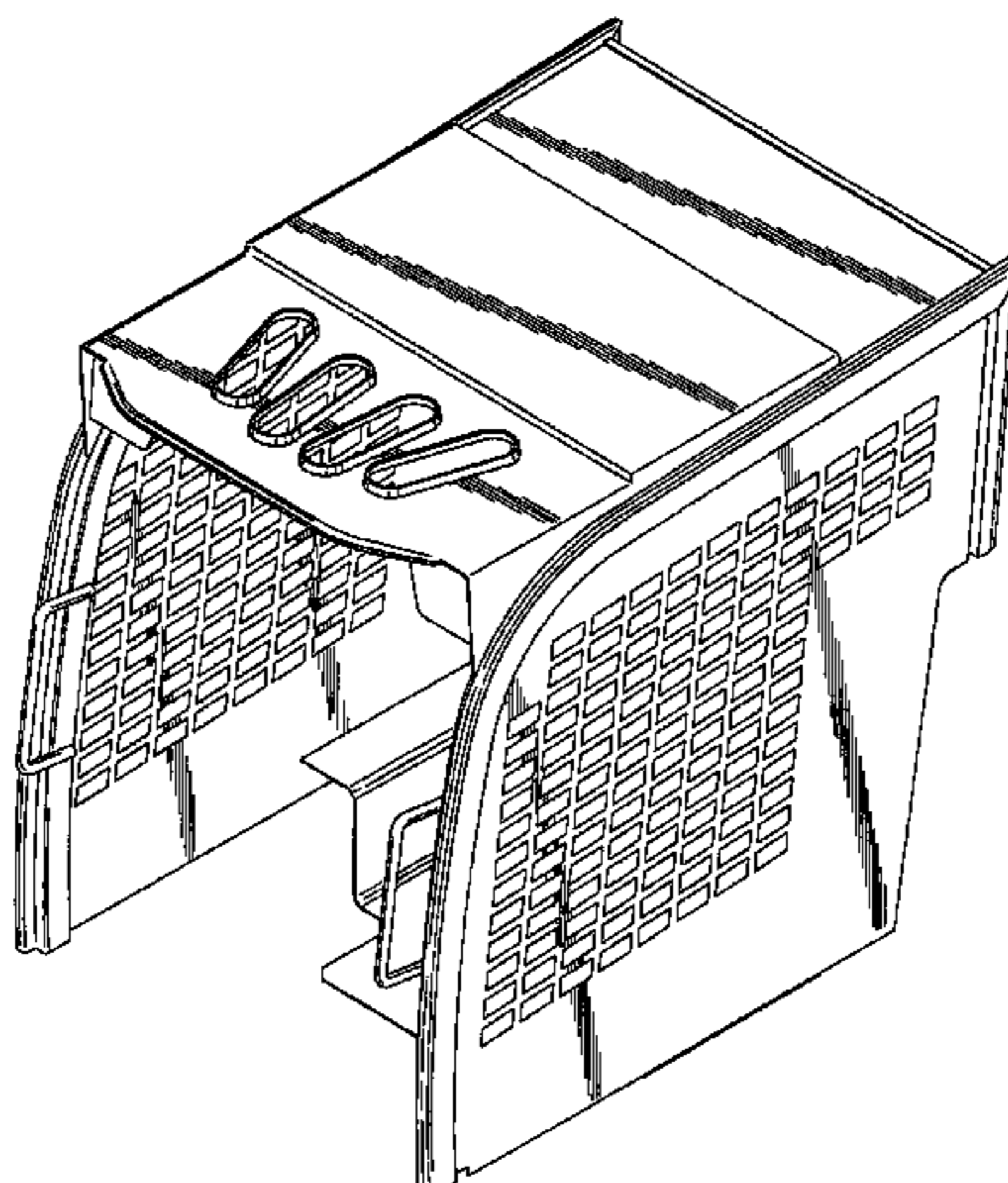
(57) **CLAIM**

The ornamental design for a cabin for working vehicles, as shown and described.

**DESCRIPTION**

FIG. 1 is a front perspective view of a cabin for working vehicles showing my new design;  
 FIG. 2 is a rear perspective view thereof;  
 FIG. 3 is a front view thereof, the rear view being a mirror image of FIG. 3;  
 FIG. 4 is a top plan view thereof;  
 FIG. 5 is a bottom plan view thereof;  
 FIG. 6 is a right side elevational view thereof;  
 FIG. 7 is a left side elevational view thereof; and,  
 FIG. 8 is a referential view showing the article in use.  
 The broken line showing of a working vehicle in FIG. 8 is included for the purpose of illustrating environmental structure and forms no part of the claimed design.

**1 Claim, 8 Drawing Sheets**



# US D570,381 S

Page 2

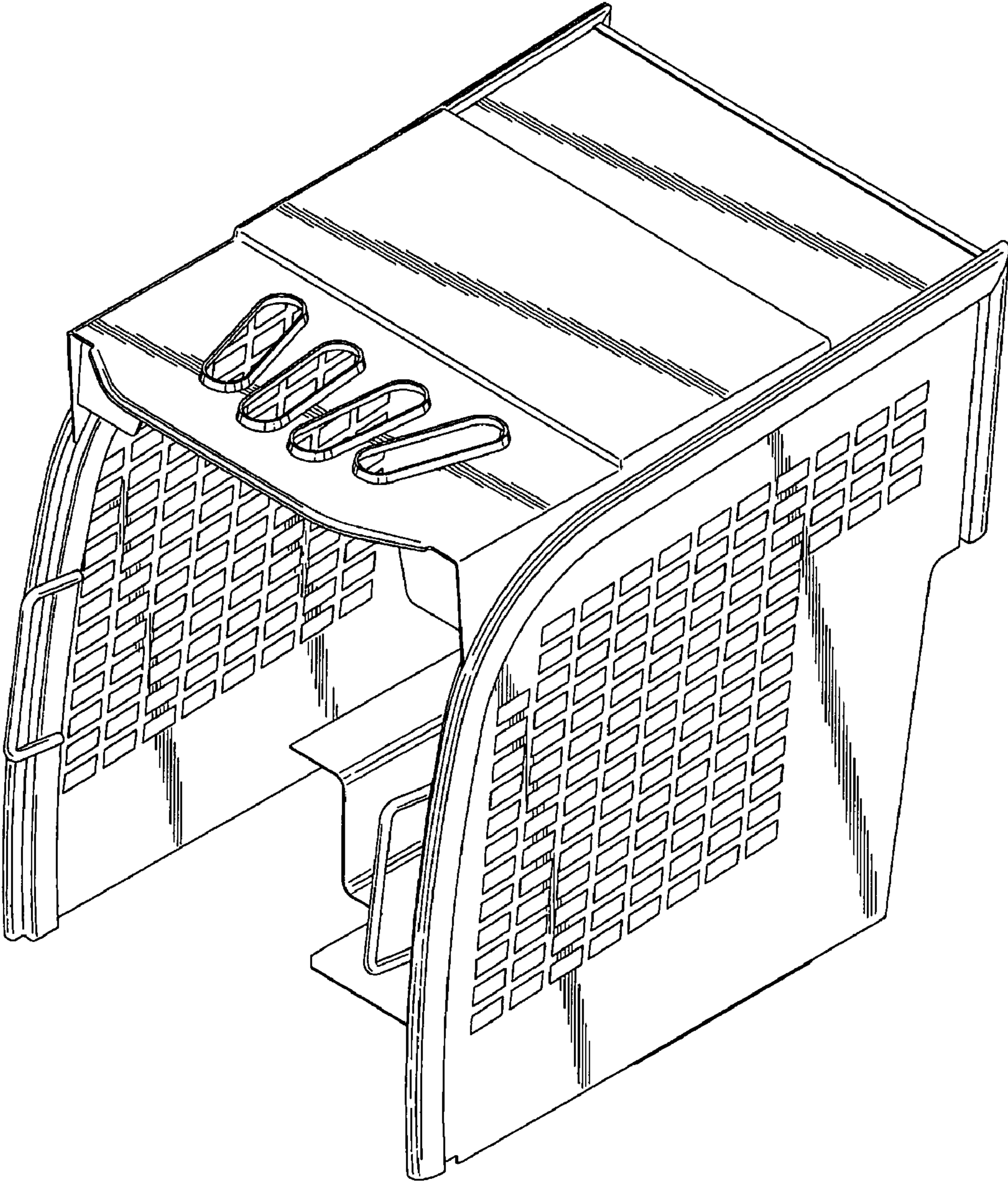
---

## U.S. PATENT DOCUMENTS

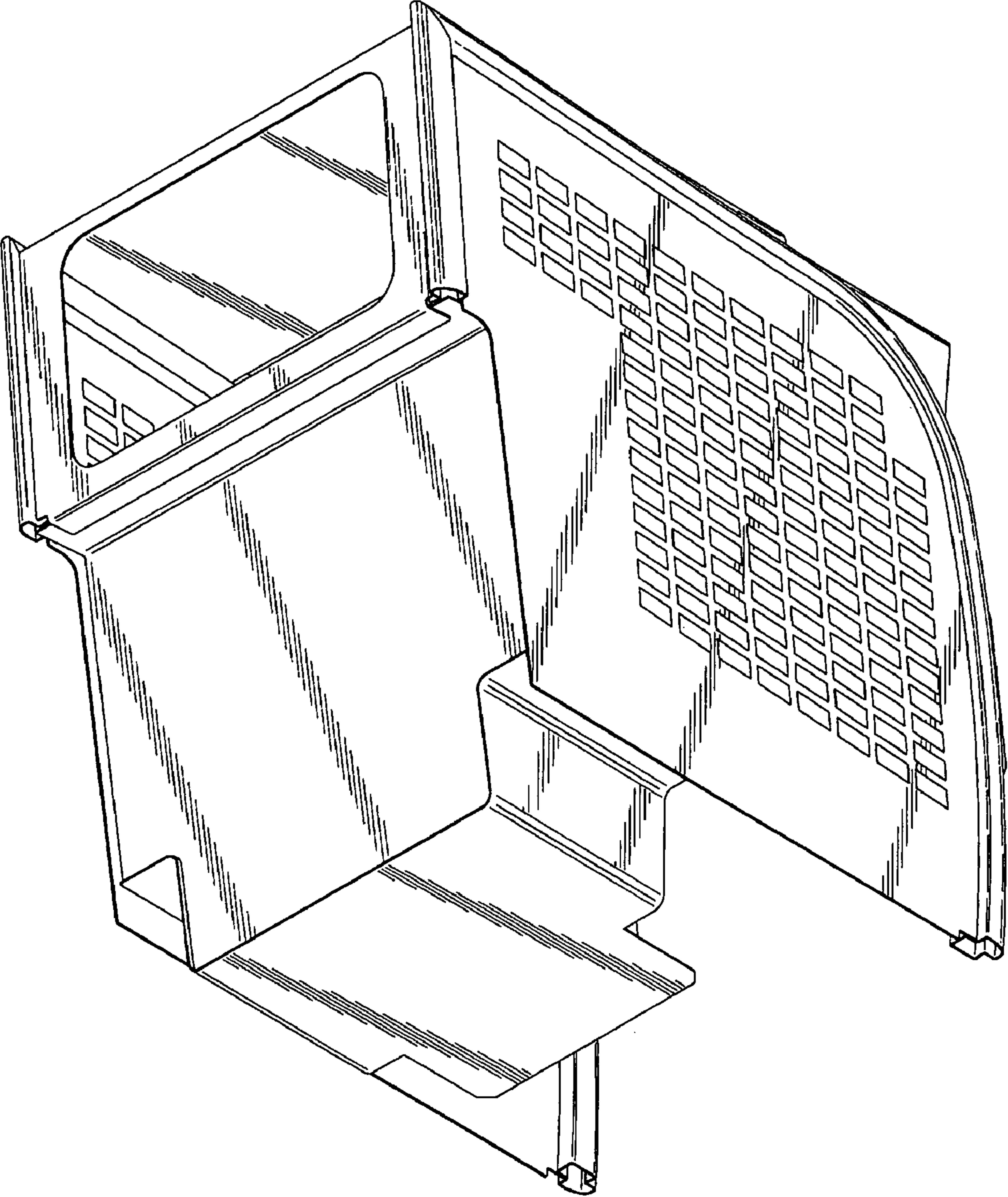
|                |         |                    |            |                   |         |                        |            |
|----------------|---------|--------------------|------------|-------------------|---------|------------------------|------------|
| D437,862 S *   | 2/2001  | Shaw .....         | D15/28     | 7,252,325 B2 *    | 8/2007  | Richards et al. ....   | 296/190.08 |
| 6,189,954 B1 * | 2/2001  | Martin, Jr. ....   | 296/190.08 | D553,160 S *      | 10/2007 | Jones et al. ....      | D15/30     |
| D450,718 S     | 11/2001 | Muraro             |            | 2001/0008346 A1 * | 7/2001  | Martin .....           | 296/190.08 |
| 6,382,711 B2 * | 5/2002  | Martin, Jr. ....   | 296/190.08 | 2005/0104416 A1 * | 5/2005  | Richards et al. ....   | 296/190.08 |
| 6,416,112 B1 * | 7/2002  | Trivits .....      | 296/136.07 | 2005/0196262 A1 * | 9/2005  | Yamashita .....        | 414/685    |
| D492,327 S     | 6/2004  | Albright et al.    |            | 2006/0102415 A1 * | 5/2006  | Menebroker et al. .... | 180/286    |
| 6,796,762 B2   | 9/2004  | Vicars, III et al. |            | 2007/0145780 A1 * | 6/2007  | Tecklenburg et al. ..  | 296/190.08 |
| D520,525 S     | 5/2006  | Enmeiji et al.     |            | 2007/0145781 A1 * | 6/2007  | Haboon et al. ....     | 296/190.09 |
| 7,128,518 B2 * | 10/2006 | Yamashita .....    | 414/694    |                   |         |                        |            |

\* cited by examiner

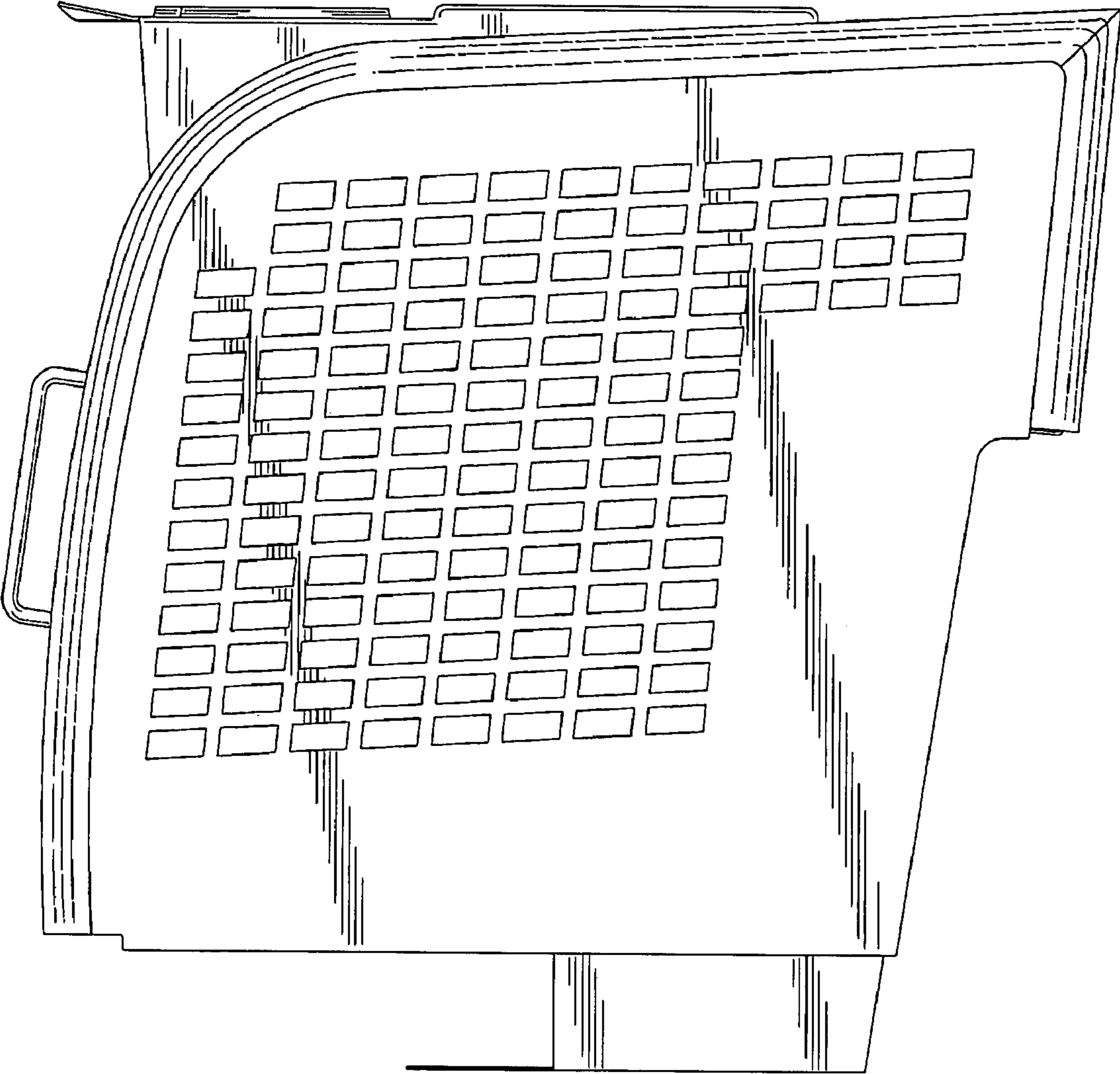
**FIG. 1**



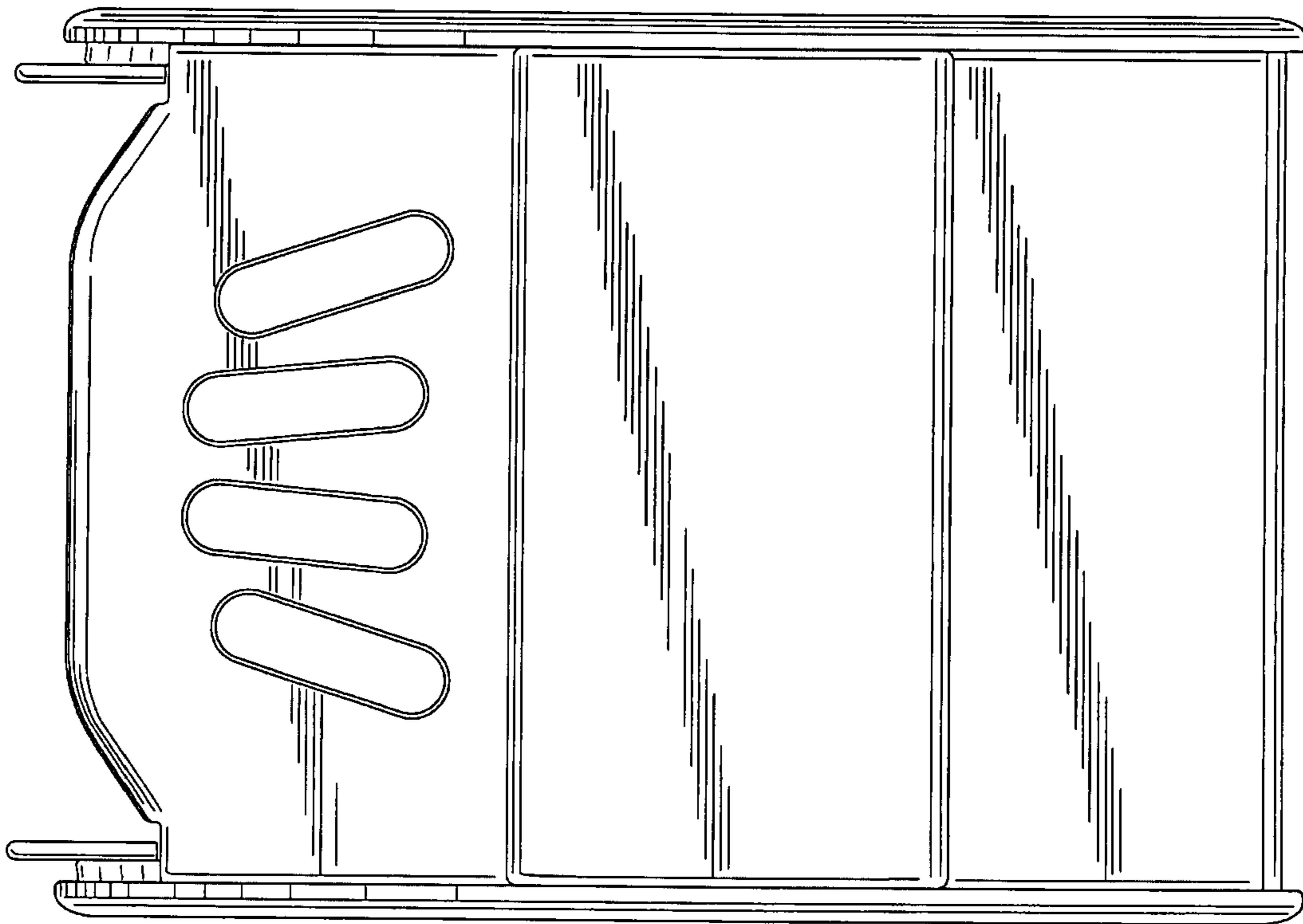
**FIG. 2**



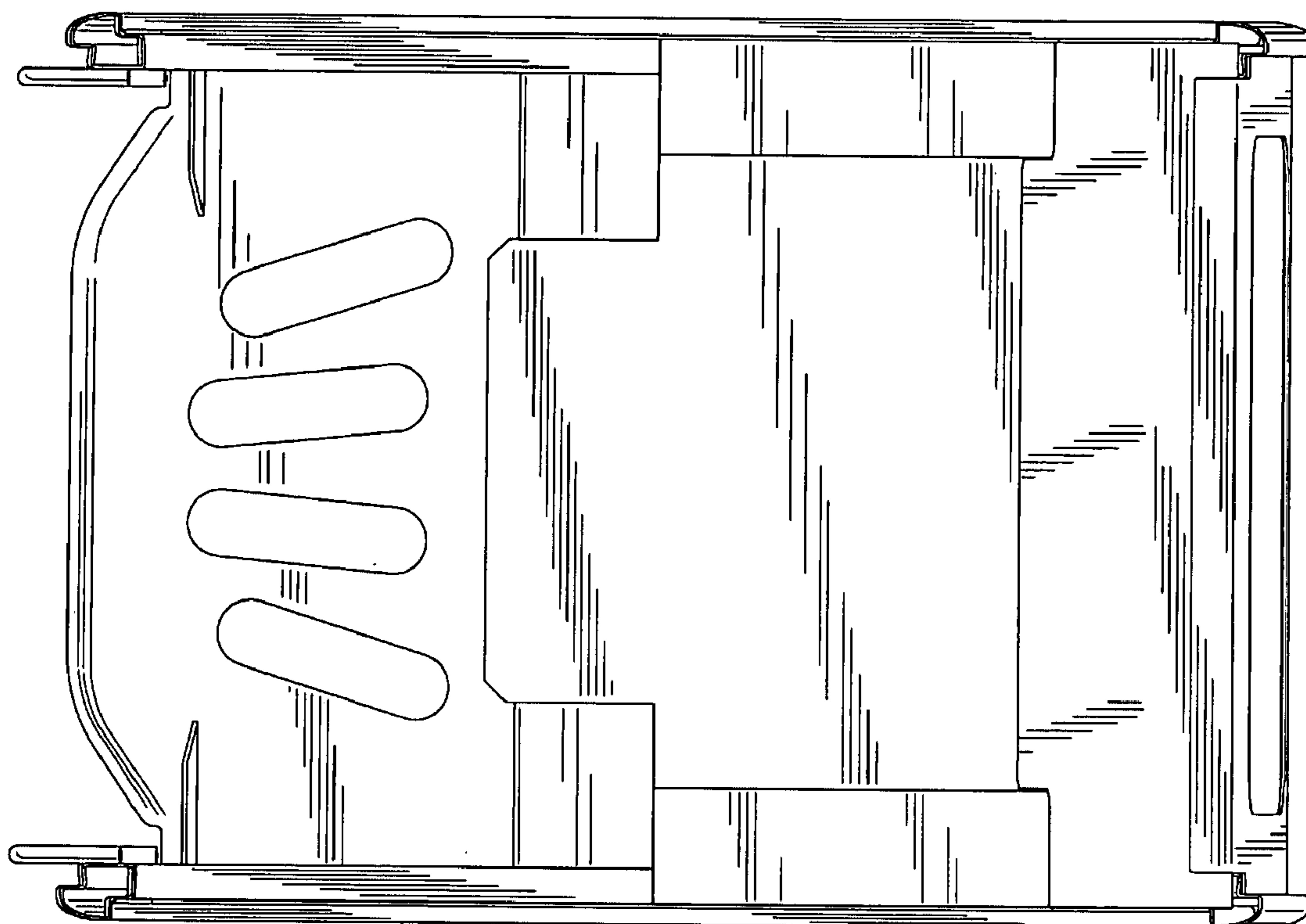
**FIG. 3**



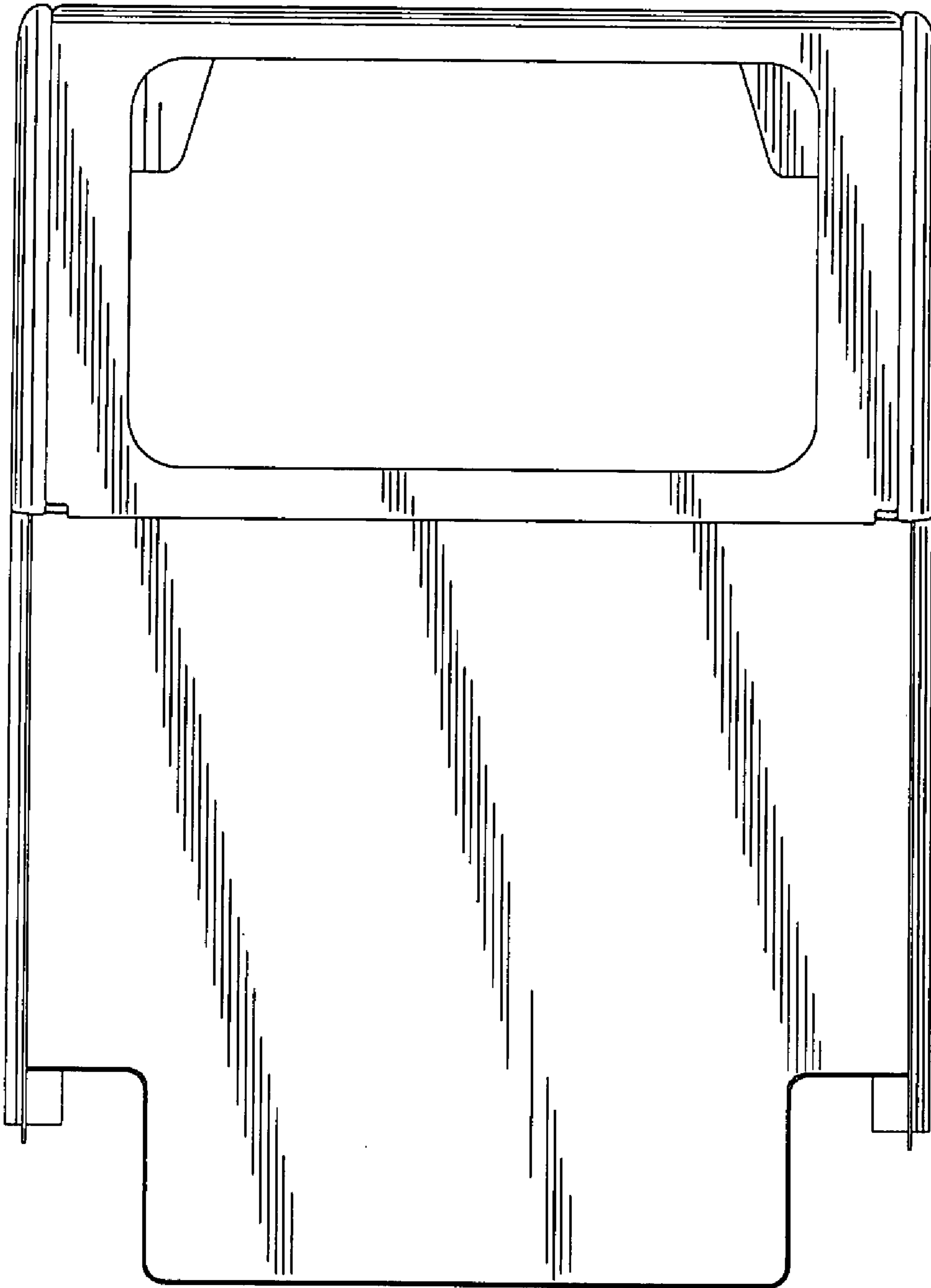
**FIG. 4**



**FIG. 5**

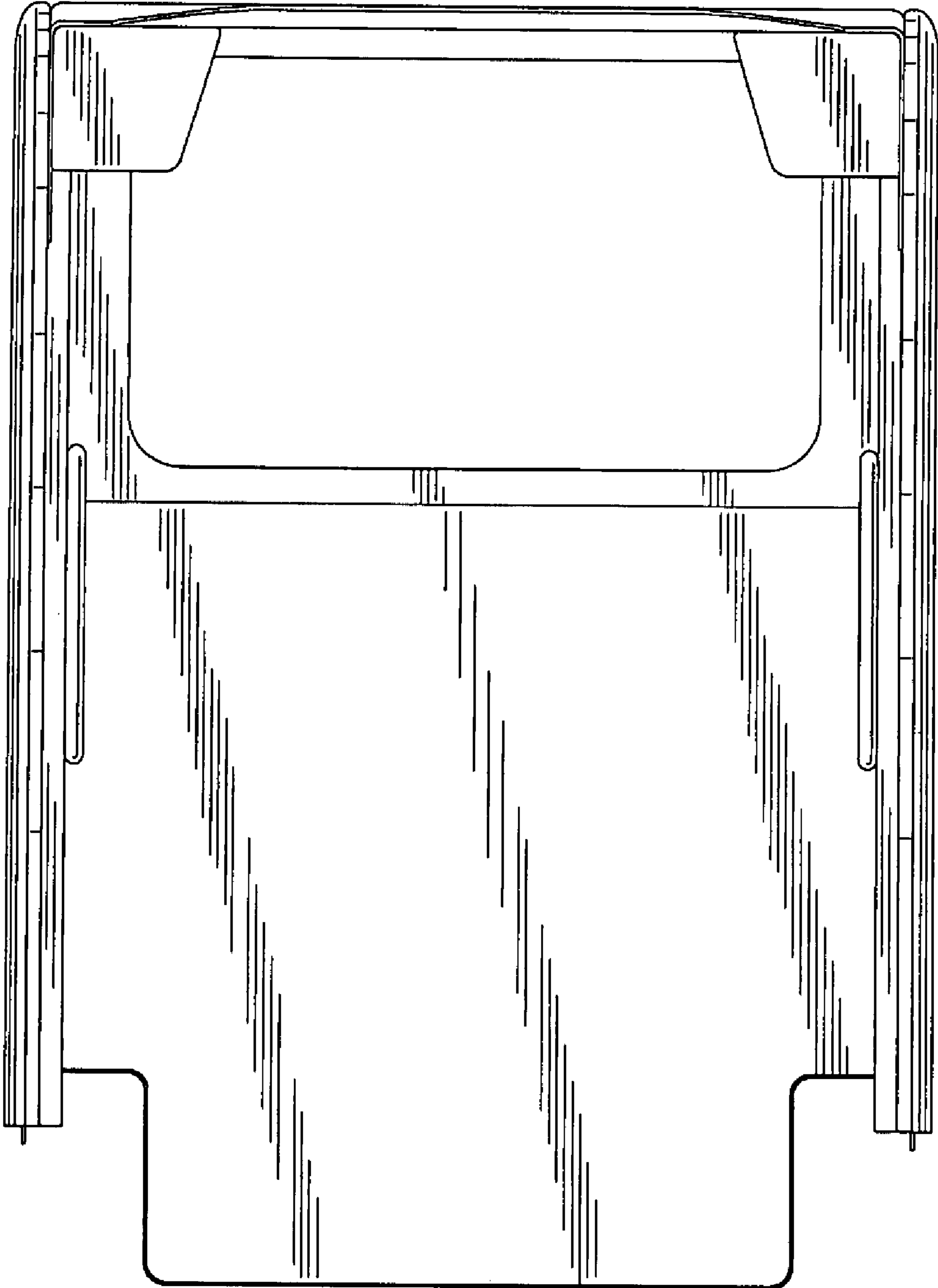


**FIG. 6**





**FIG. 7**



**FIG. 8**

