

US00D570379S

(12) **United States Design Patent**
Kato

(10) **Patent No.:** **US D570,379 S**
(45) **Date of Patent:** **** Jun. 3, 2008**

(54) **SHOVEL LOADER**

(75) Inventor: **Naoto Kato**, Kariya (JP)

(73) Assignee: **Kabushiki Kaisha Toyota Jidoshokki**,
Kariya-shi (JP)

(**) Term: **14 Years**

(21) Appl. No.: **29/292,689**

(22) Filed: **Oct. 23, 2007**

(30) **Foreign Application Priority Data**

Apr. 24, 2007 (JP) 2007-011044

(51) **LOC (8) Cl.** **15-03**

(52) **U.S. Cl.** **D15/28; D15/25**

(58) **Field of Classification Search** D15/10,
D15/22-26; 414/685, 686; 180/89.1, 89.12,
180/900

See application file for complete search history.

(56) **References Cited**

U.S. PATENT DOCUMENTS

- D224,588 S * 8/1972 Bauer D15/23
- D231,482 S * 4/1974 Bauer D15/25
- 3,828,952 A * 8/1974 Klee 414/697
- 3,895,728 A * 7/1975 Heggen 414/697
- 3,963,131 A * 6/1976 Dimmer 414/697
- 4,055,262 A * 10/1977 Bauer et al. 414/697
- D247,814 S * 5/1978 Johnson et al. D15/23
- D251,088 S * 2/1979 Johnson et al. D15/23
- D259,631 S 6/1981 Ramacciotti
- 4,295,779 A * 10/1981 Shumaker 414/685
- D272,825 S 2/1984 Cochran et al.
- D272,826 S 2/1984 Cochran et al.
- 4,705,449 A * 11/1987 Christianson et al. 414/685
- D314,389 S * 2/1991 Lynnes et al. D15/25
- D317,926 S 7/1991 Lynnes et al.
- D322,792 S 12/1991 Park
- 5,169,277 A * 12/1992 Orser et al. 414/685
- 5,169,278 A * 12/1992 Hoechst et al. 414/685
- 5,240,366 A * 8/1993 Bamford 414/686
- 5,470,190 A * 11/1995 Bamford et al. 414/686

- D376,372 S 12/1996 Little et al.
- 5,807,061 A * 9/1998 Donoghue et al. 414/710
- D419,568 S 1/2000 Baig et al.
- D423,521 S 4/2000 Walter et al.
- D424,778 S 5/2000 Dahl et al.
- 6,079,938 A * 6/2000 Anderson et al. 414/685

(Continued)

FOREIGN PATENT DOCUMENTS

- JP 0863011 3/1993
- JP 1070695 5/2000
- JP 1193286 1/2004
- JP 1229609 2/2005

Primary Examiner—Stella M. Reid
Assistant Examiner—Mark A Goodwin

(74) *Attorney, Agent, or Firm*—Morgan & Finnegan, LLP

(57) **CLAIM**

The ornamental design for a shovel loader, as shown and described.

DESCRIPTION

FIG. 1 is a front perspective view of a shovel loader showing my new design;

FIG. 2 is a rear perspective view thereof;

FIG. 3 is a front view thereof;

FIG. 4 is a top plan view thereof;

FIG. 5 is a left side elevational view thereof;

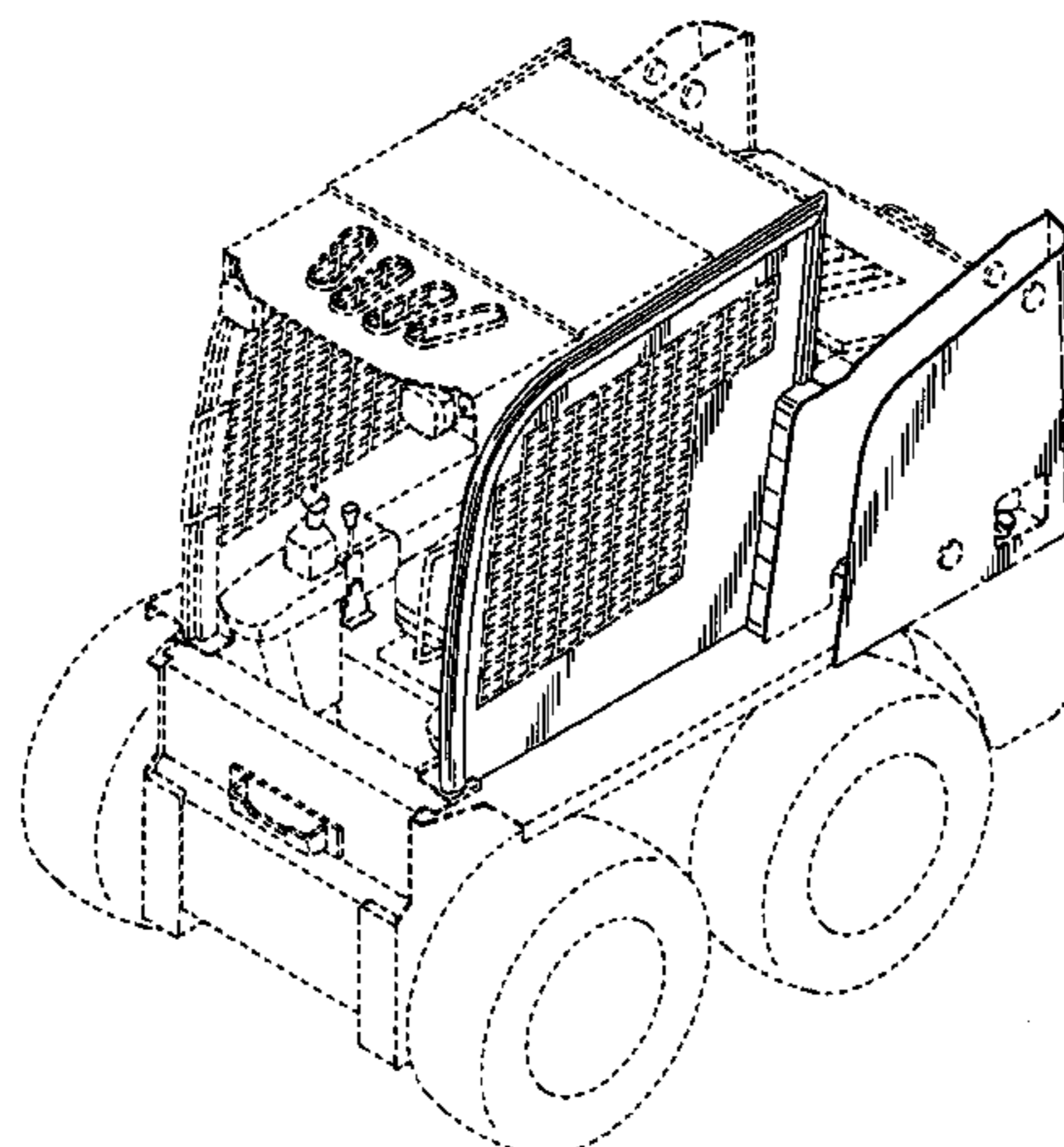
FIG. 6 is a right side elevational view thereof;

FIG. 7 is a referential perspective view 1 without the arms and the bucket; and,

FIG. 8 is a referential perspective view 2 without the arms and the bucket.

The broken lines are shown for illustrative purposes only and form no part of the claimed design. The dot-dashed lines denote the boundary of the claim and form no part of the claimed design. The bottom plan view forms no part of the claimed design.

1 Claim, 8 Drawing Sheets



US D570,379 S

Page 2

U.S. PATENT DOCUMENTS

6,098,739	A *	8/2000	Anderson et al.	180/312	6,796,762	B2	9/2004	Vicars, III et al.	
6,138,786	A *	10/2000	Anderson et al.	180/312	D504,136	S *	4/2005	Albright et al.	D15/23
6,205,665	B1 *	3/2001	Anderson et al.	29/897.2	D520,525	S	5/2006	Enmeiji et al.	
6,283,220	B1 *	9/2001	Carter	169/24	2002/0064445	A1 *	5/2002	Dershem et al.	414/686
6,293,364	B1 *	9/2001	Anderson et al.	180/312	2004/0018078	A1 *	1/2004	Vicars et al.	414/900
D450,718	S	11/2001	Muraro		2005/0196262	A1 *	9/2005	Yamashita	414/685
D468,754	S *	1/2003	Dershem et al.	D15/28	2006/0182591	A1 *	8/2006	Hackett et al.	414/685
D492,327	S	6/2004	Albright et al.		2006/0269386	A1 *	11/2006	Layko et al.	414/685

* cited by examiner

FIG. 1

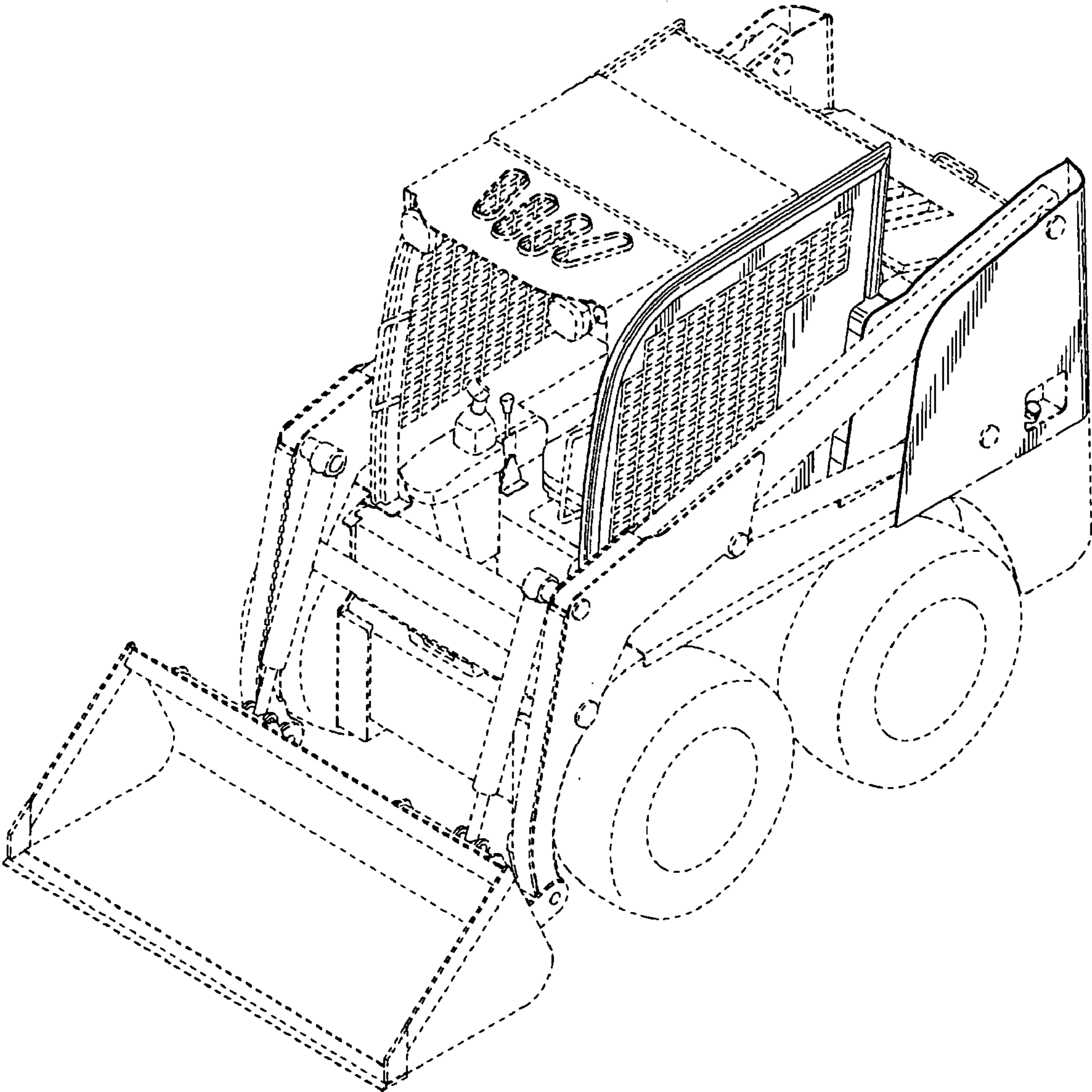


FIG. 2

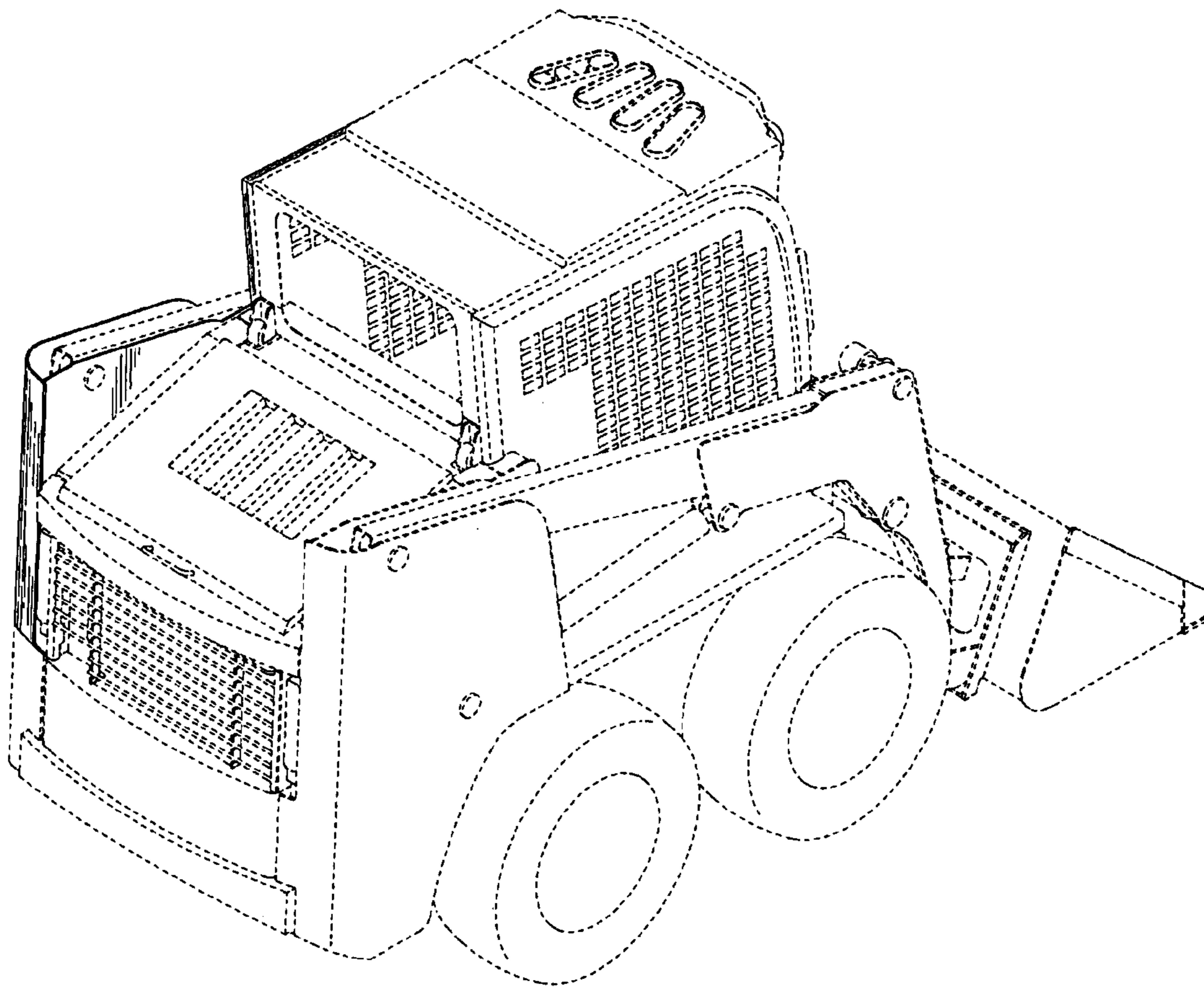


FIG. 3

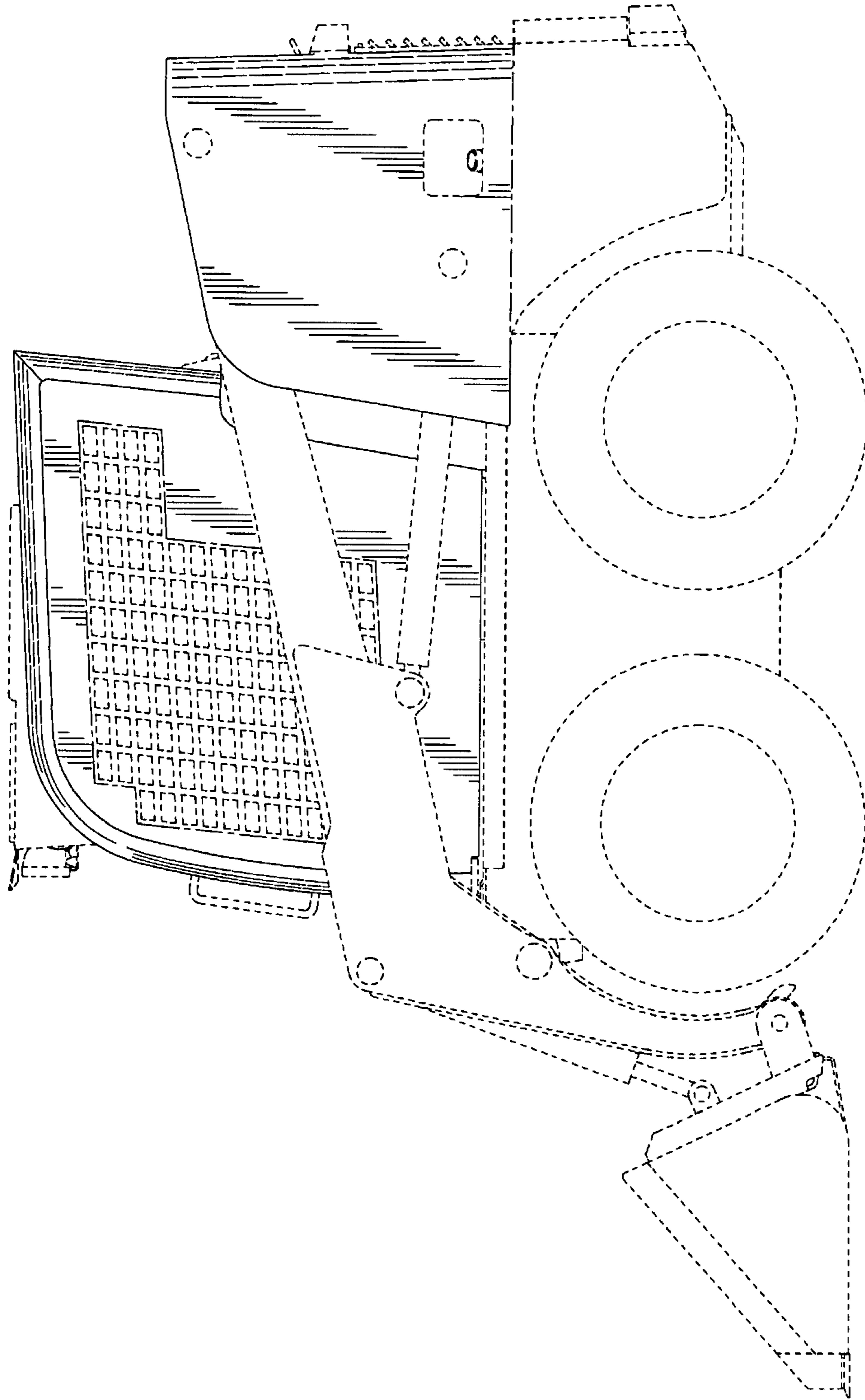


FIG. 4

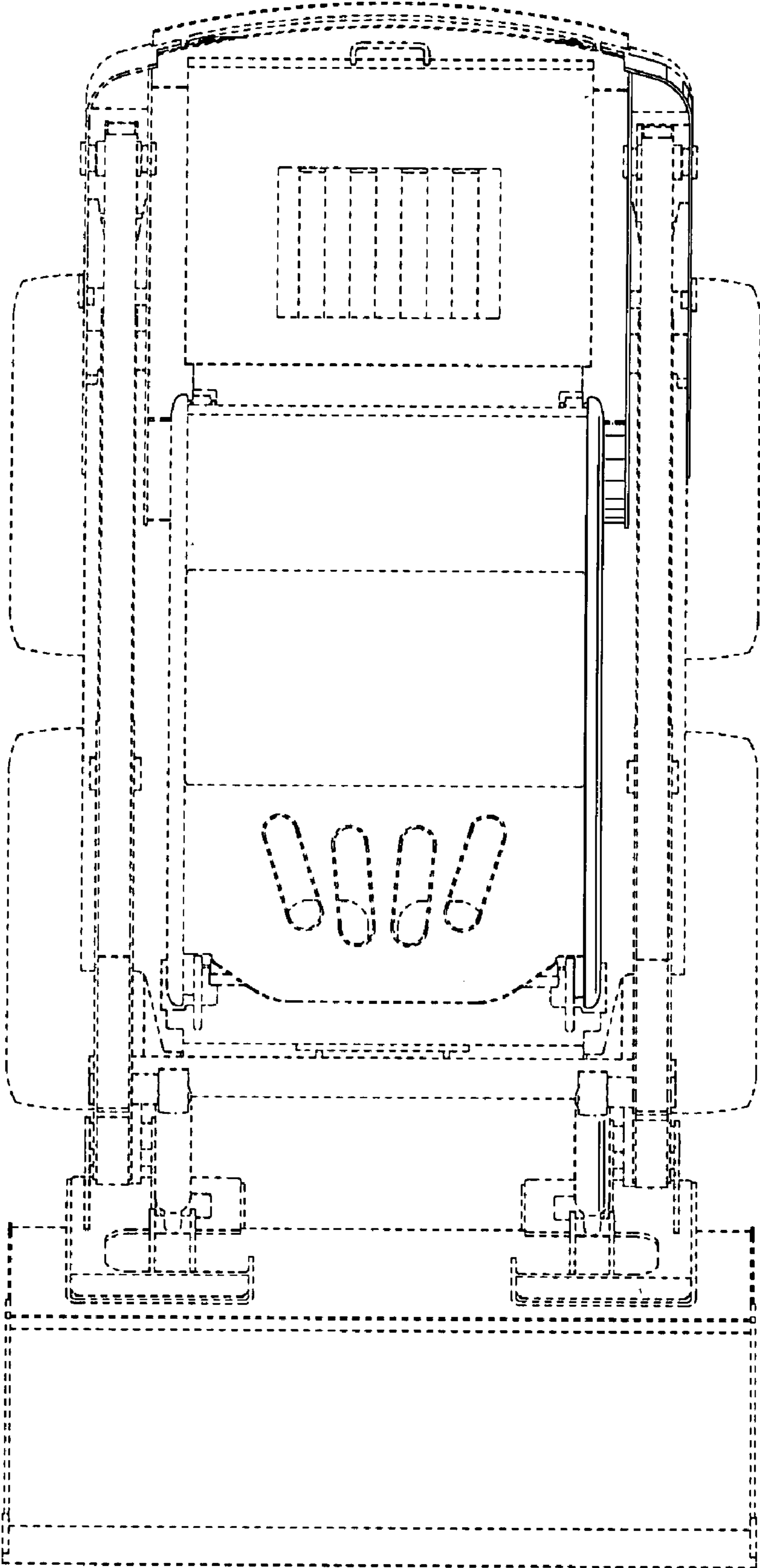


FIG. 5

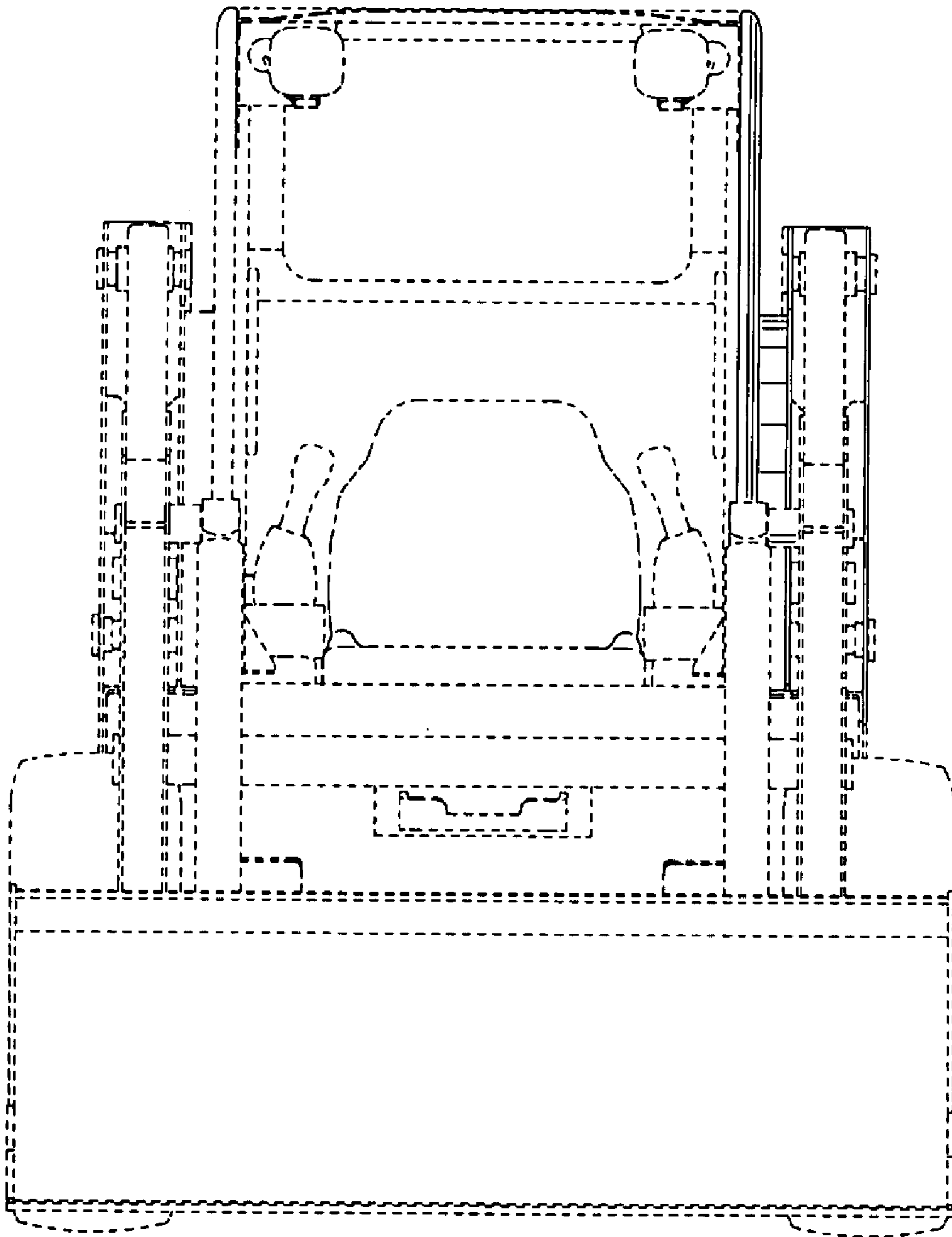


FIG. 6

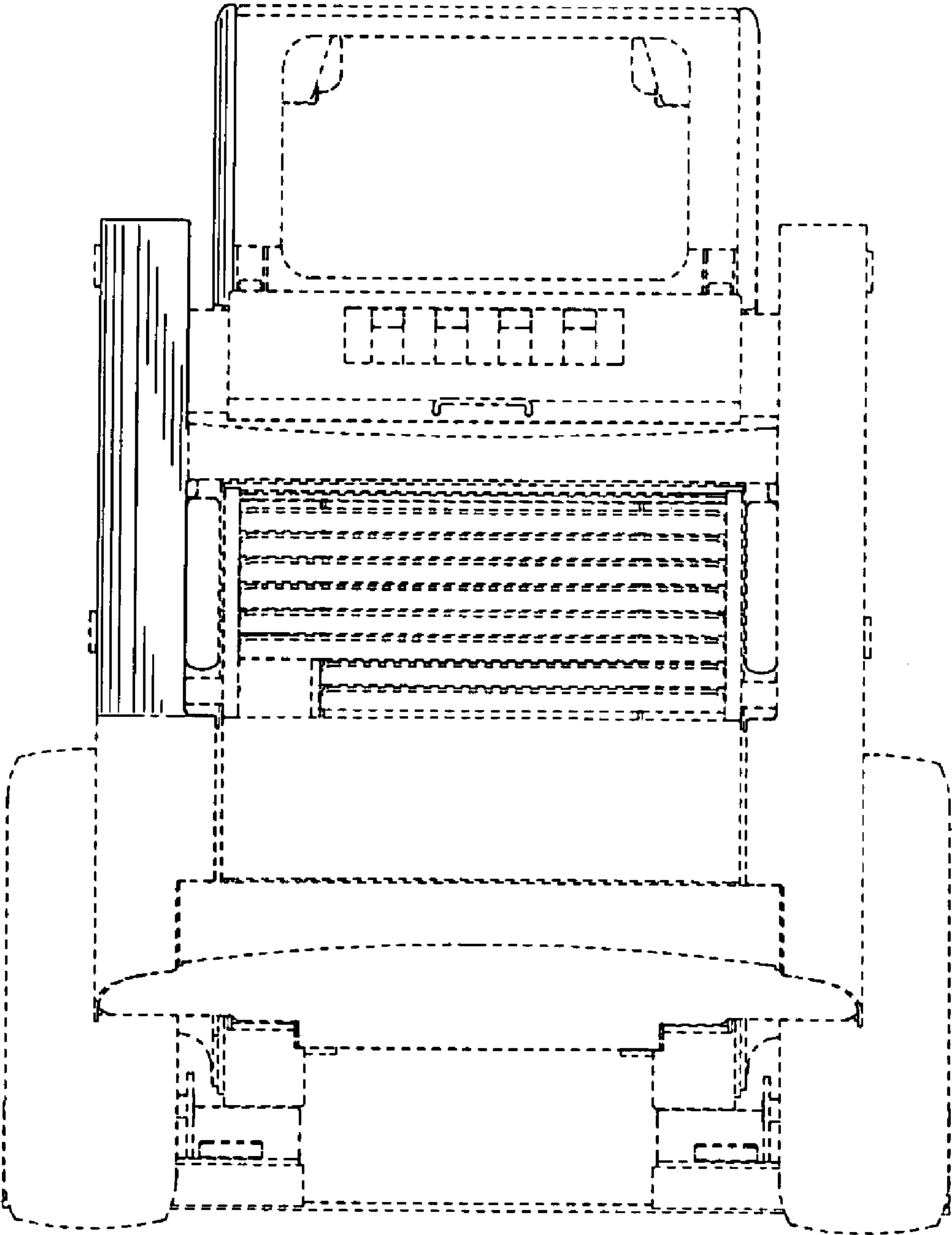


FIG. 7

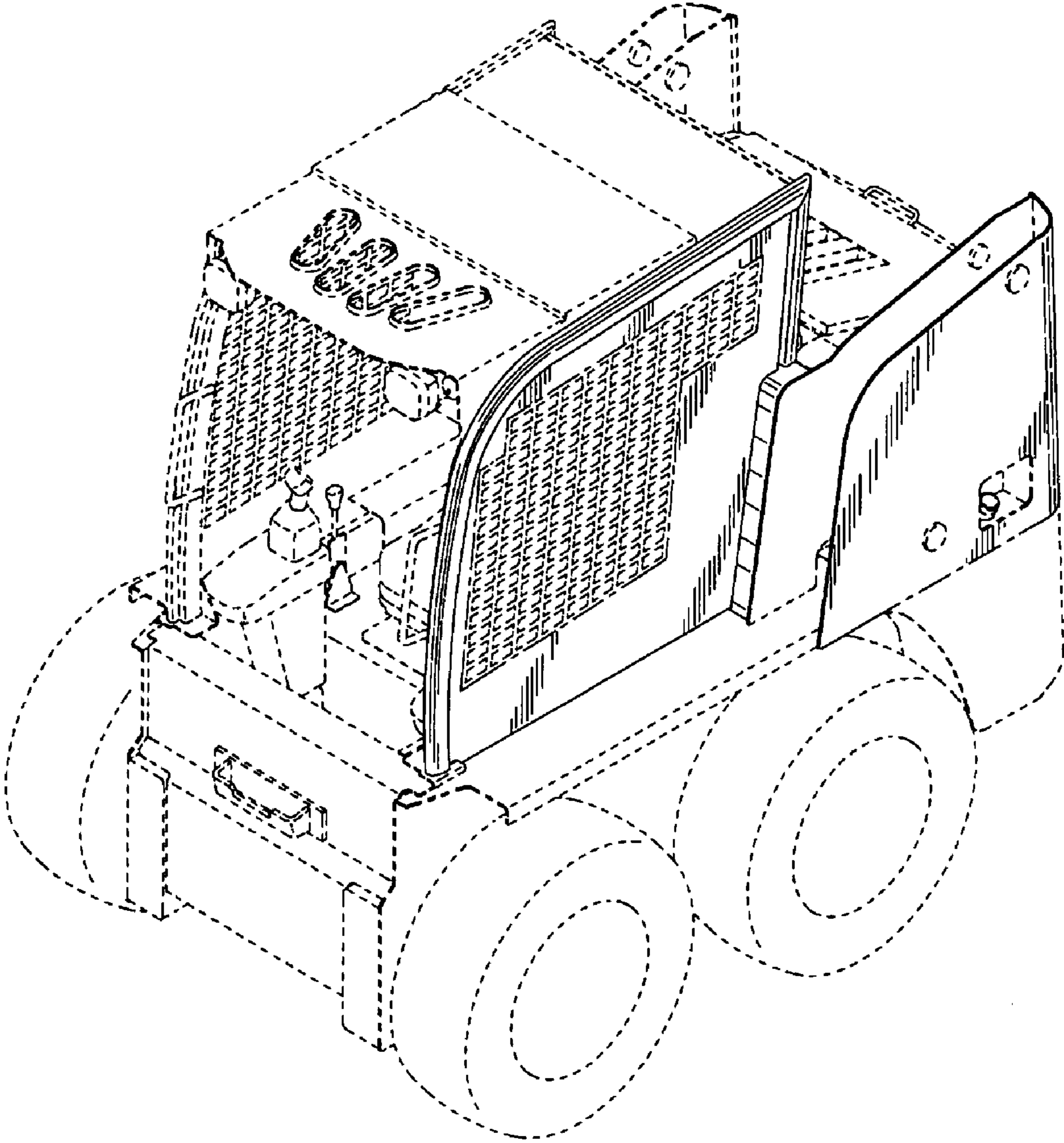


FIG. 8

