

US00D570378S

(12) **United States Design Patent**
Heusinger et al.

(10) **Patent No.:** **US D570,378 S**
(45) **Date of Patent:** **** *Jun. 3, 2008**

(54) **ROAD CONSTRUCTION MACHINE**

(75) Inventors: **Jürgen Heusinger**, Koblenz (DE);
Roland Loew, Klein-Winternheim
(DE); **Udo Lohse**, Stassenhaus (DE);
Helmut Röttsch, Beltheim (DE)

(73) Assignee: **Bomag GmbH**, Boppard (DE)

(*) Notice: This patent is subject to a terminal disclaimer.

(**) Term: **14 Years**

(21) Appl. No.: **29/267,332**

(22) Filed: **Oct. 12, 2006**

(30) **Foreign Application Priority Data**

Apr. 13, 2006 (EM) 000512884-0002

(51) **LOC (8) Cl.** **15-03**

(52) **U.S. Cl.** **D15/22; D15/23**

(58) **Field of Classification Search** D15/10,
D15/21-26, 13; 299/36.1, 39.6, 29, 1.5,
299/18, 39.4; 172/435, 703, 784, 112, 123,
172/125; 404/90-92, 84.1, 122, 112; 173/24
See application file for complete search history.

(56) **References Cited**

U.S. PATENT DOCUMENTS

2,686,982	A *	6/1954	Leliter	172/784
2,779,258	A *	1/1957	Johnson	404/105
2,984,026	A *	5/1961	Thompson et al.	37/426
3,136,078	A *	6/1964	Renault	172/547
3,217,433	A *	11/1965	Norris	37/404
D220,038	S *	3/1971	Swisher et al.	D15/22
3,829,161	A *	8/1974	Wirtgen	299/39.6
D235,113	S *	5/1975	Hendrickson et al.	D15/25
3,888,542	A *	6/1975	Gowler	299/1.5
D247,037	S *	1/1978	Smith, Jr.	D15/23
D256,466	S *	8/1980	Smith et al.	D15/22

D258,887	S *	4/1981	Swisher et al.	D15/24
4,270,801	A *	6/1981	Swisher et al.	299/1.5
D266,850	S *	11/1982	Godbersen	D15/22
D275,107	S *	8/1984	Crabiel et al.	D15/25
D286,158	S *	10/1986	Baldwin et al.	D15/23
4,643,261	A *	2/1987	Long	172/2
D346,388	S *	4/1994	Silbernagel	D15/22
5,354,147	A *	10/1994	Swisher, Jr.	299/39.6
D362,449	S *	9/1995	Swisher, Jr.	D15/22
5,893,677	A *	4/1999	Haehn et al.	404/90
6,368,014	B1 *	4/2002	Culver et al.	404/90
6,394,696	B1 *	5/2002	Culver	404/75
6,565,281	B2 *	5/2003	Bruns et al.	404/90
2004/0021364	A1 *	2/2004	Busley et al.	299/39.4
2005/0207841	A1 *	9/2005	Holl et al.	404/94

* cited by examiner

Primary Examiner—Stella M. Reid

Assistant Examiner—Mark A Goodwin

(74) *Attorney, Agent, or Firm*—Baker & Hostetler LLP

(57) **CLAIM**

The ornamental design for a road construction machine, as shown and described.

DESCRIPTION

FIG. 1 is a right side view of a road construction machine, showing our new design;

FIG. 2 is a top view thereof;

FIG. 3 is a bottom view thereof;

FIG. 4 is an enlarged front view thereof;

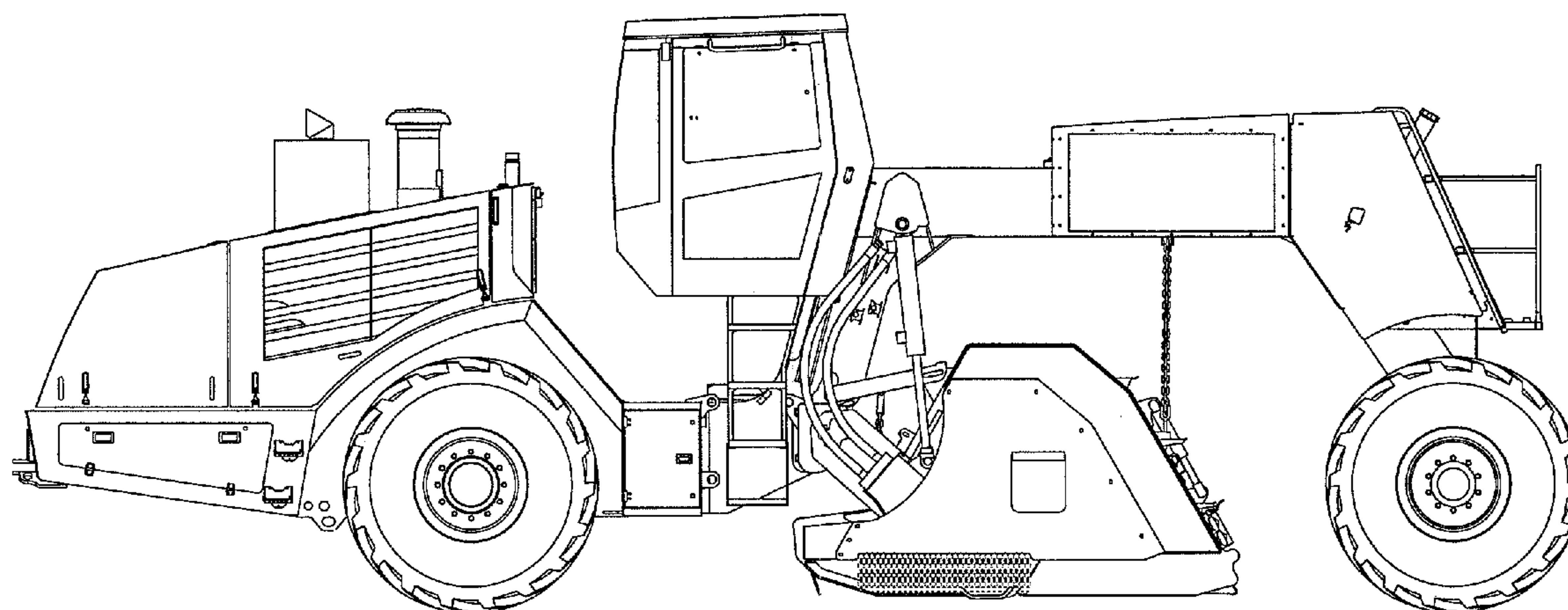
FIG. 5 is an enlarged rear view thereof;

FIG. 6 is a top, right, rear perspective view thereof; and,

FIG. 7 is top, left, front perspective view thereof.

The broken line showing of the chain link guards and vent covering is included for the purpose of illustrating portions of the road construction machine and forms no part of the claimed design.

1 Claim, 7 Drawing Sheets



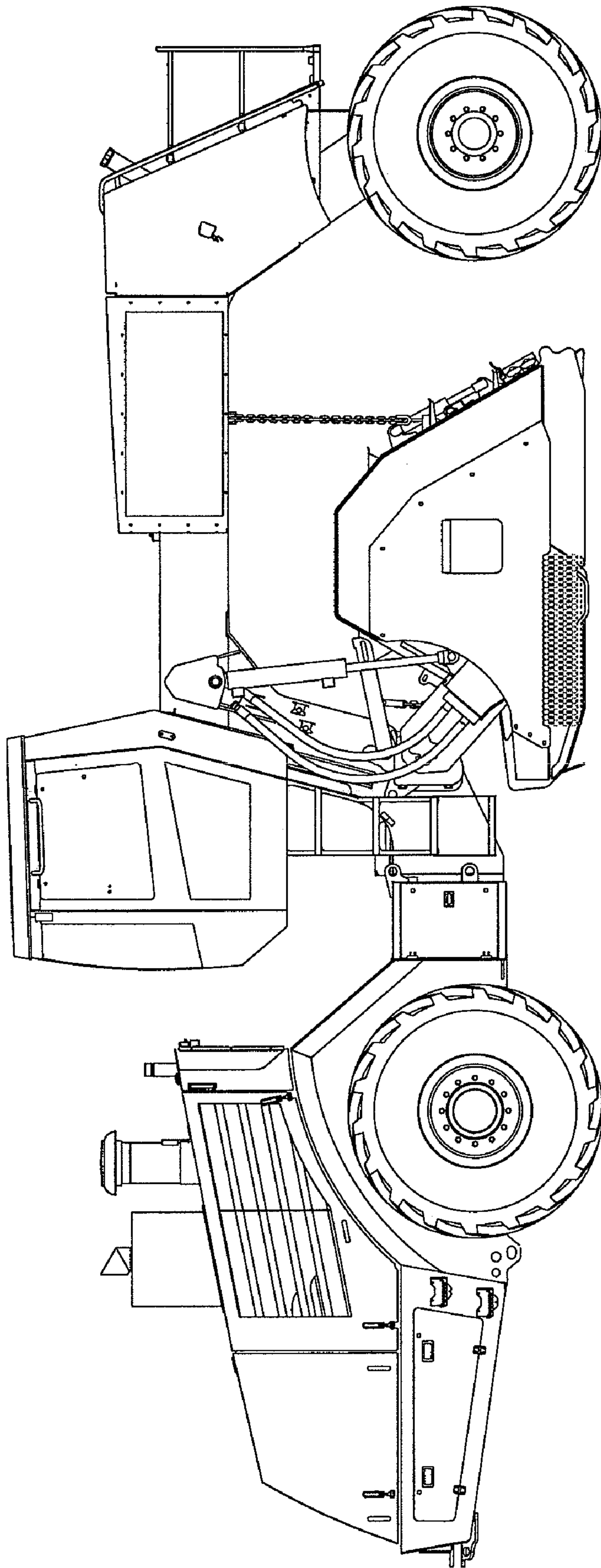


FIG. 1

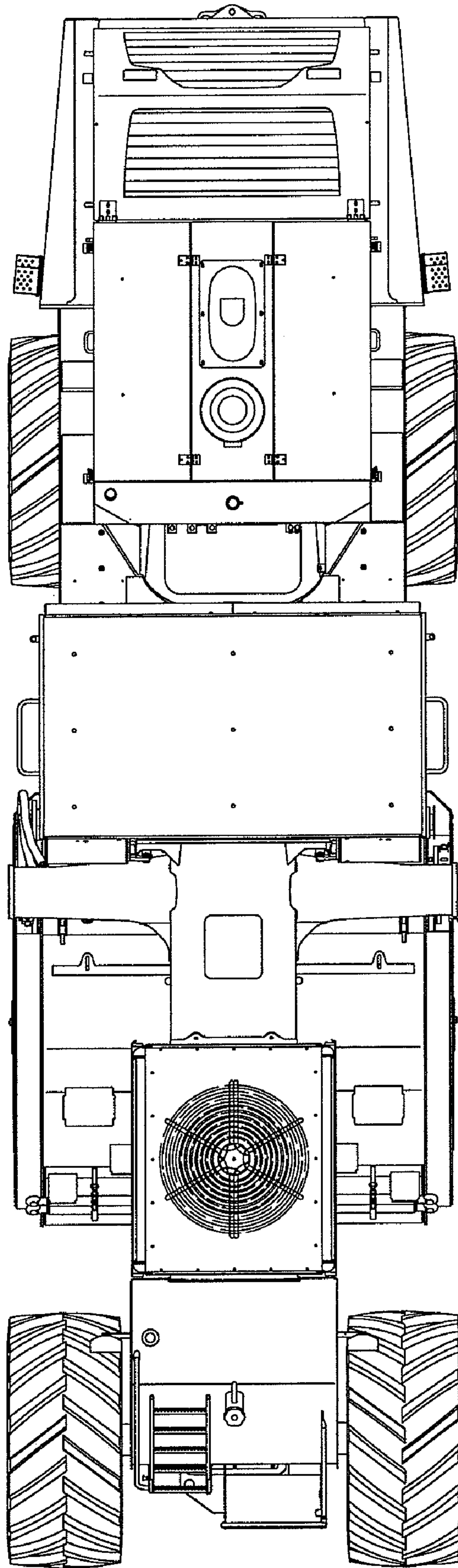


FIG. 2

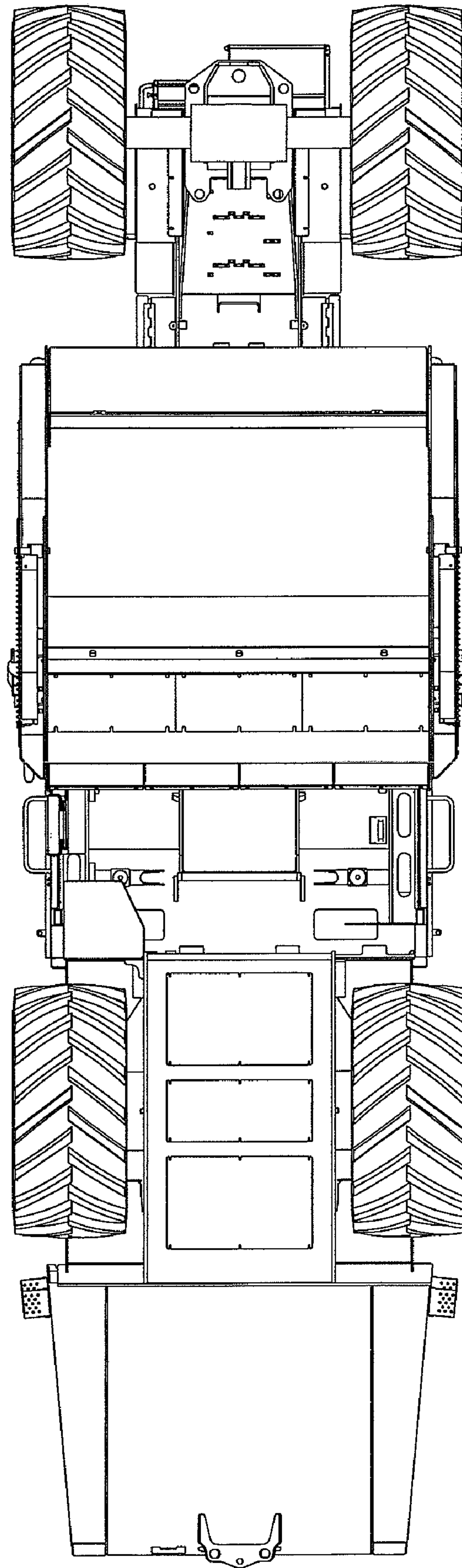


FIG. 3

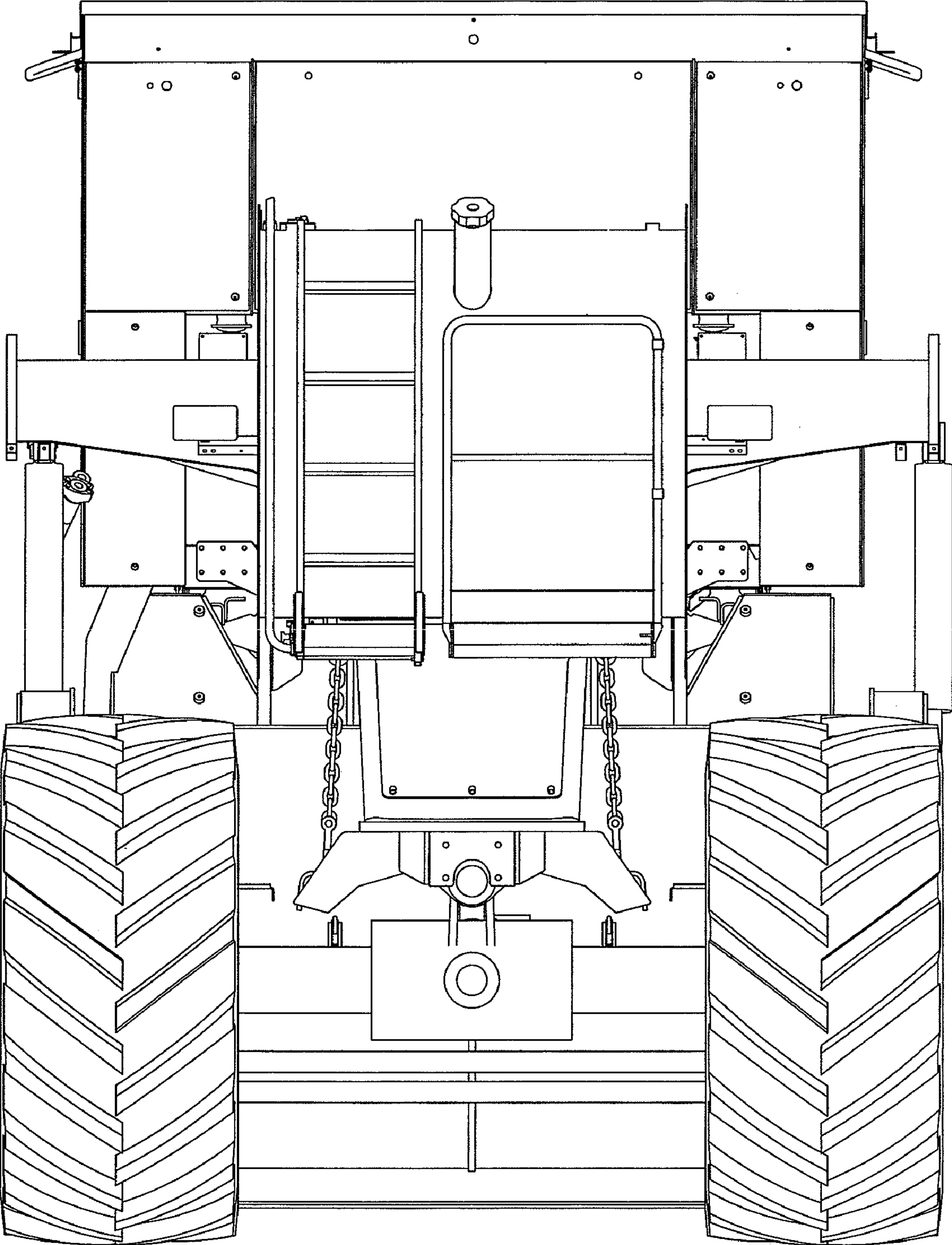


FIG. 4

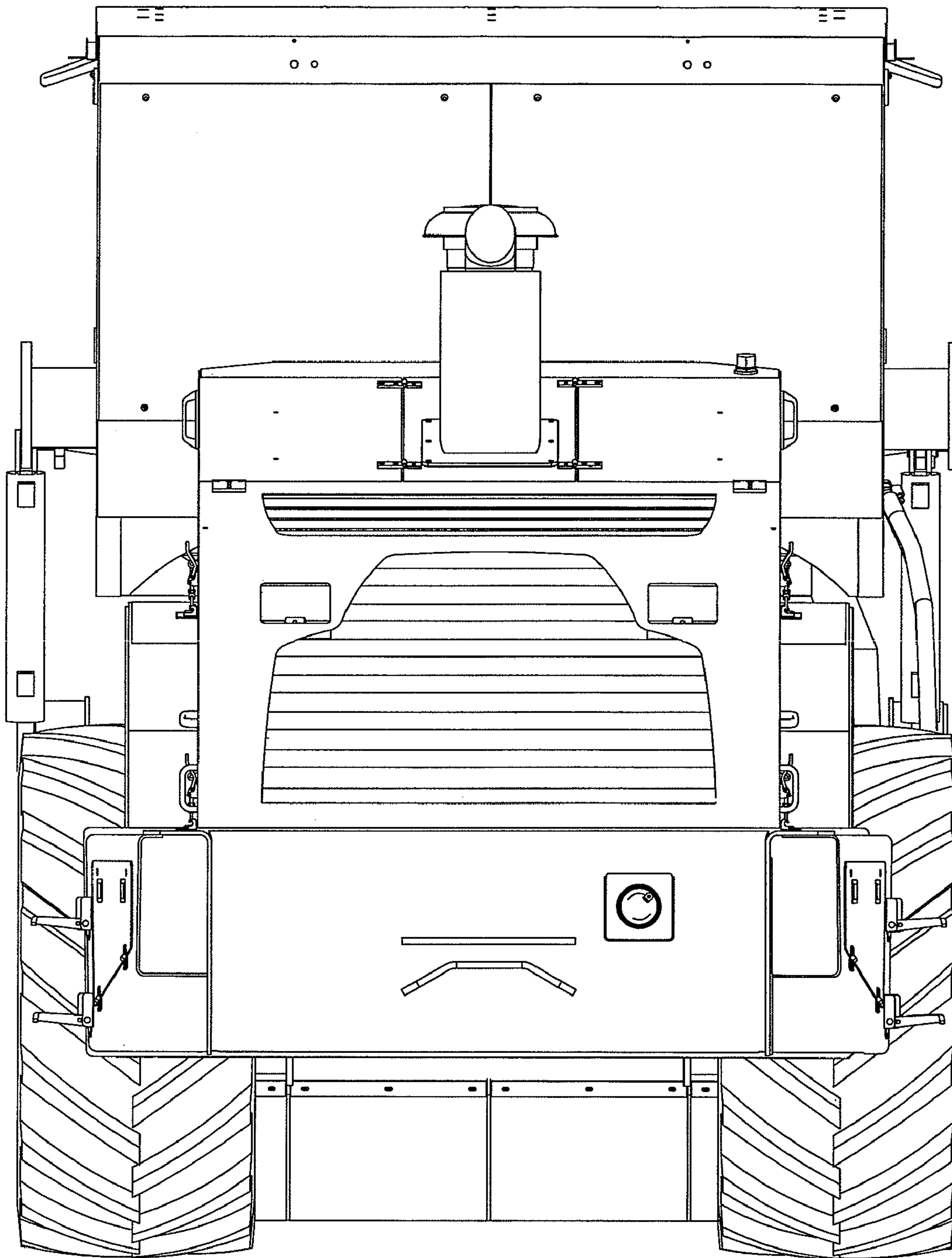


FIG. 5

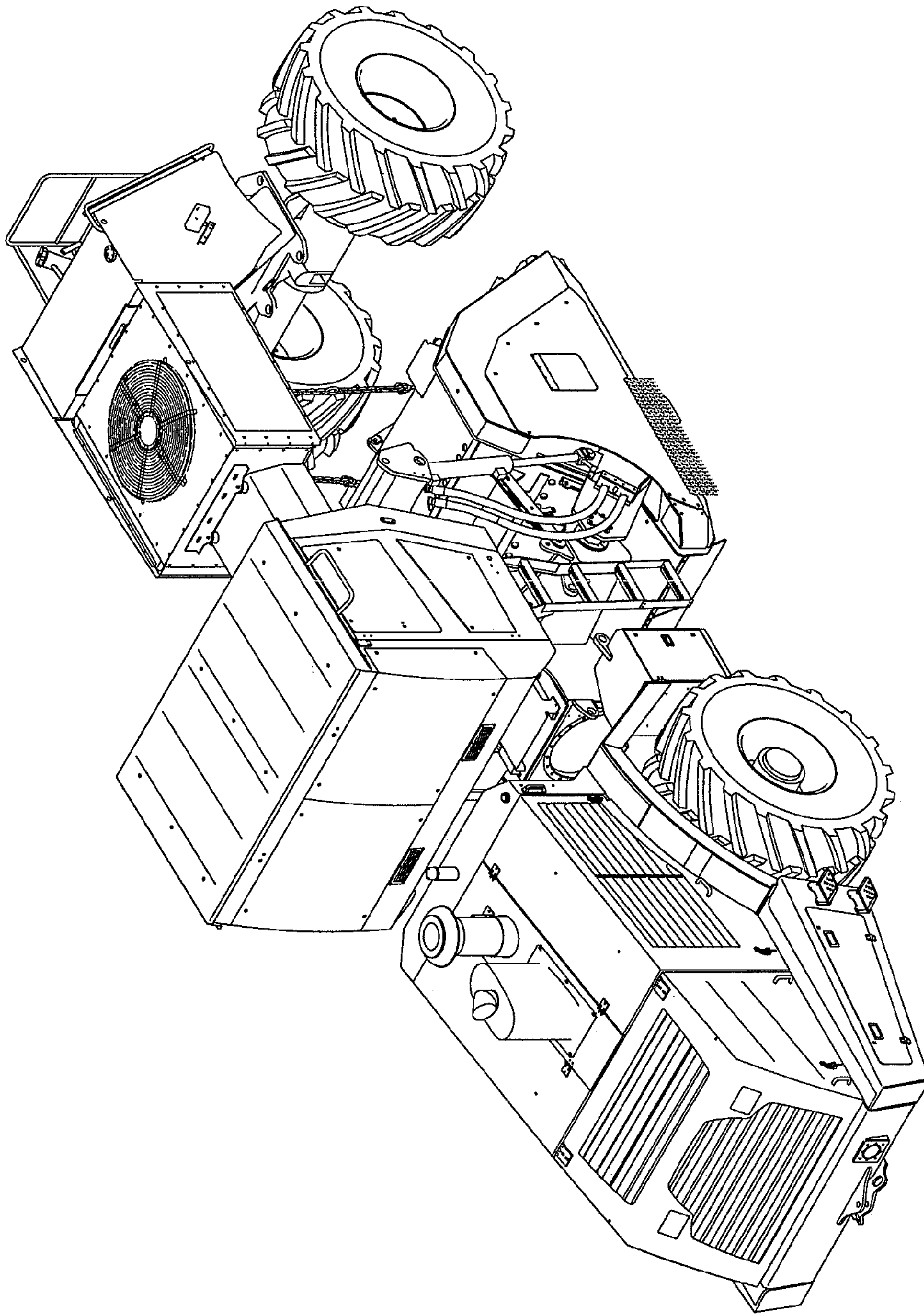


FIG. 6

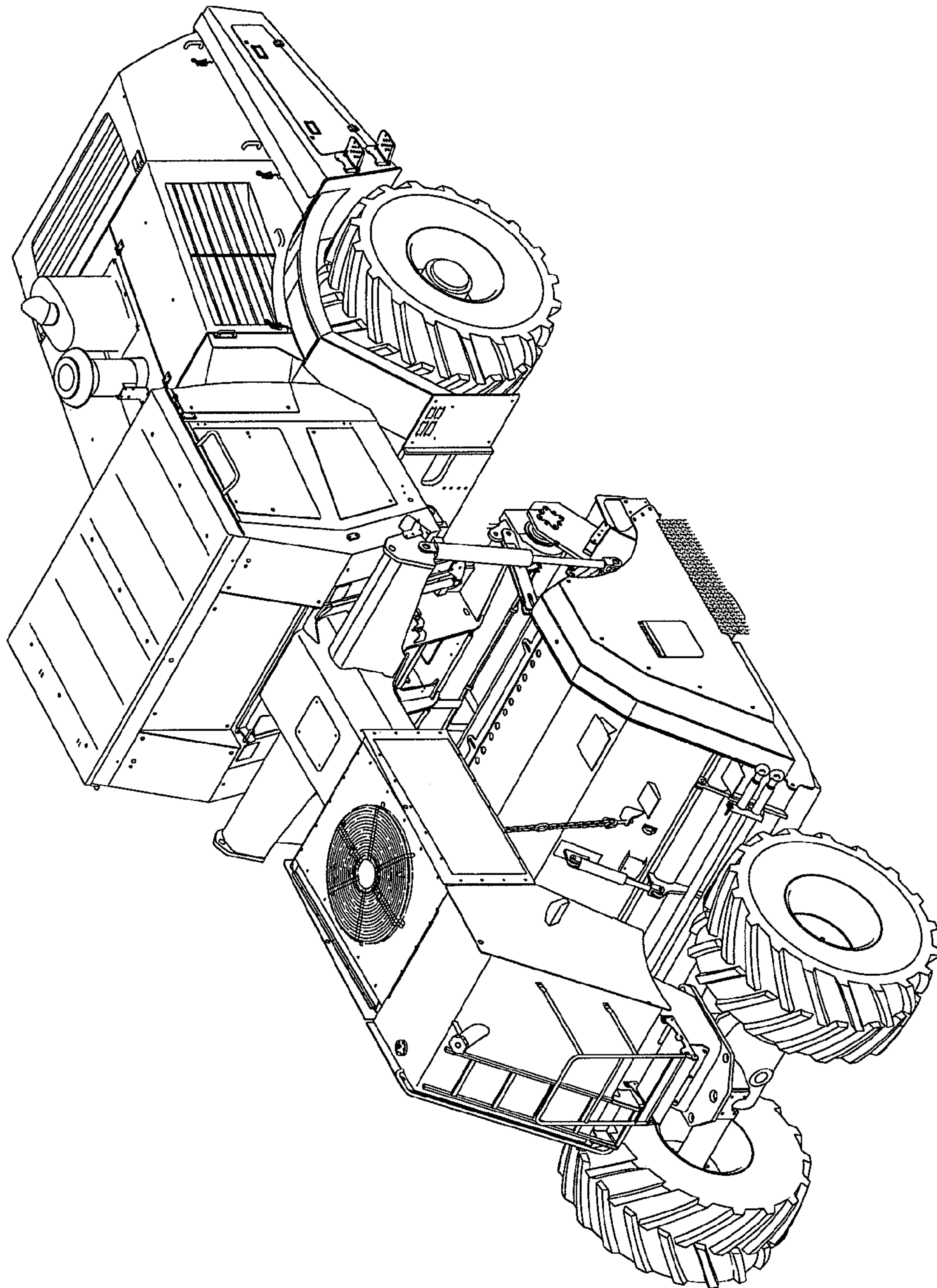


FIG. 7