

US00D570377S

(12) **United States Design Patent**
Evans et al.

(10) **Patent No.: US D570,377 S**
(45) **Date of Patent: ** Jun. 3, 2008**

(54) **HINGED PLOW AND SCRAPER BLADE**

(76) Inventors: **Miles M. E. Evans**, 38 Woods Cres.,
Regina, Saskatchewan, SK (CA) S4L
1C4; **Donald Stevenson**, Box 160,
Raymore, SK (CA) S0A 3J0

(**) Term: **14 Years**

(21) Appl. No.: **29/278,481**

(22) Filed: **Mar. 30, 2007**

(51) **LOC (8) Cl.** **15-03**

(52) **U.S. Cl.** **D15/11; D15/32**

(58) **Field of Classification Search** D15/10-12,
D15/23, 25, 28, 32; 37/266, 281, 273, 276,
37/231, 234, 232, 233, 235, 236; 172/811,
172/815, 701.1, 817, 826, 821

See application file for complete search history.

(56) **References Cited**

U.S. PATENT DOCUMENTS

3,202,226	A *	8/1965	Carson	172/701.3
3,214,138	A *	10/1965	Jocher et al.	254/124
4,099,578	A *	7/1978	Stevens	172/815
4,306,362	A *	12/1981	Waterman	37/219
4,479,312	A	10/1984	Turgeon		
4,723,609	A *	2/1988	Curtis	172/815
4,794,710	A	1/1989	Haring		
5,191,729	A	3/1993	Verseef		
5,285,588	A	2/1994	Niemela et al.		
5,437,113	A	8/1995	Jones		
5,638,618	A	6/1997	Niemela et al.		
5,655,318	A *	8/1997	Daniels	37/231
5,697,172	A	12/1997	Verseef		
5,743,032	A *	4/1998	Vauhkonen	37/446
5,758,728	A	6/1998	Ragule		
5,819,444	A *	10/1998	Desmarais	37/281
5,829,174	A *	11/1998	Hadler et al.	37/234
5,860,230	A *	1/1999	Daniels	37/232
5,894,689	A *	4/1999	Turk	37/281
5,899,007	A *	5/1999	Niemela et al.	37/281
6,035,944	A *	3/2000	Neuner et al.	172/818
6,044,579	A	4/2000	Hadler et al.		

6,073,371	A	6/2000	Goos et al.		
6,112,438	A *	9/2000	Weagley	37/270
6,125,559	A	10/2000	Mullenhour		
6,134,814	A *	10/2000	Christy et al.	37/236
6,154,986	A *	12/2000	Hadler et al.	37/234
D459,733	S *	7/2002	Lassonde	D15/11
6,412,199	B1 *	7/2002	Quenzi et al.	37/281
6,425,196	B1 *	7/2002	Weagley et al.	37/270
D477,610	S *	7/2003	Matsumoto et al.	D15/11

(Continued)

OTHER PUBLICATIONS

www.tellefsdal.no/hovedside_nor.htm, date unavailable.

Primary Examiner—Stella M. Reid

Assistant Examiner—Mark A Goodwin

(74) *Attorney, Agent, or Firm*—Davis Bujold & Daniels,
P.L.L.C.

(57) **CLAIM**

We claim the ornamental design for a hinged plow and scraper blade, as shown and described.

DESCRIPTION

FIG. 1 is a front perspective view of a hinged plow and scraper blade showing our new design;

FIG. 2 is a front elevational view thereof;

FIG. 3 is a rear elevational view thereof;

FIG. 4 is a left side elevational view thereof the right side elevational view being a mirror image thereof;

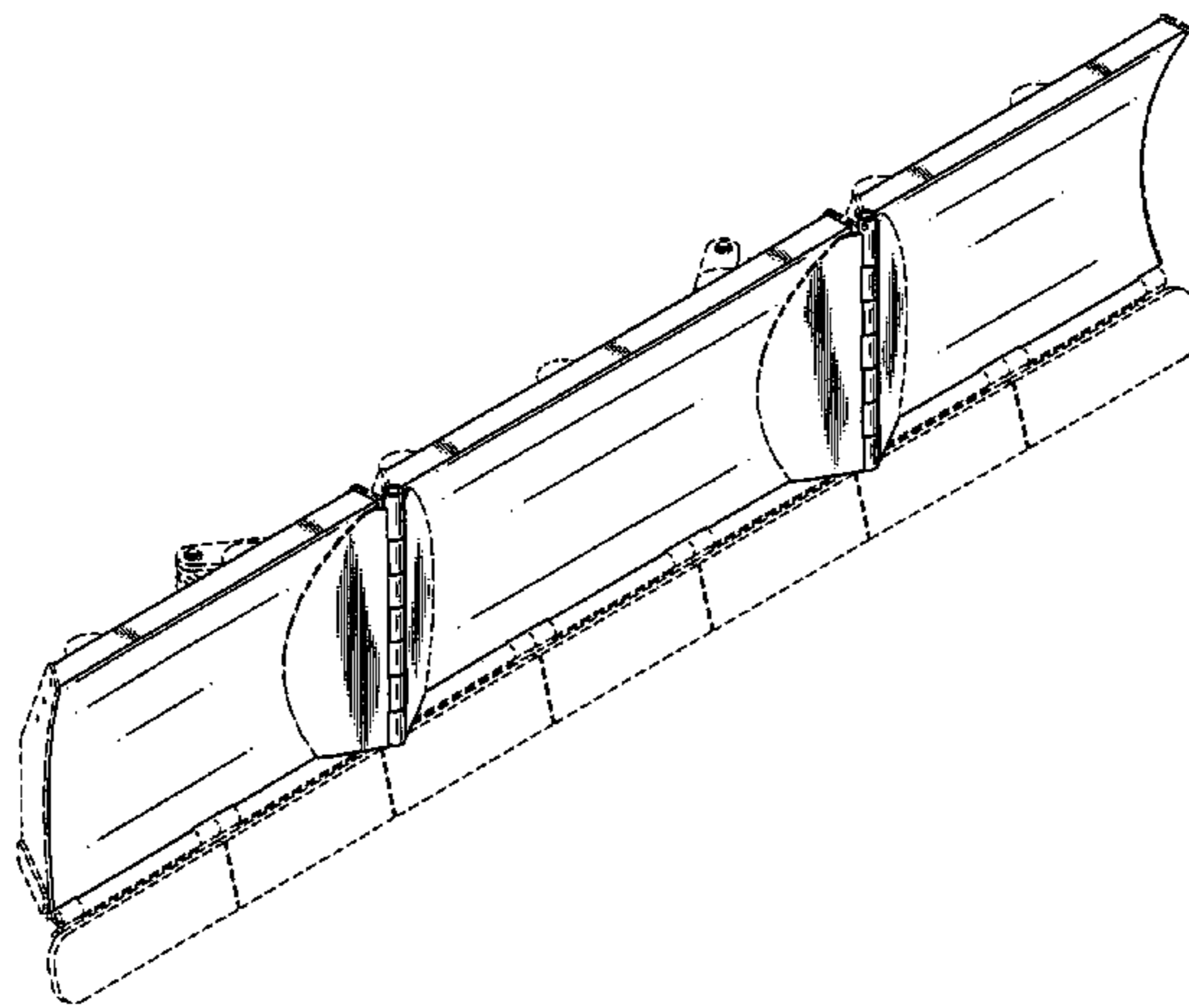
FIG. 5 is a top plan view thereof;

FIG. 6 is a bottom view thereof; and,

FIG. 7 is a rear perspective view thereof shown in folded condition.

The broken line showing of mechanical elements and portions of the hinged plow and scraper blade is included for the purpose of illustrating environmental structure and forms no part of the claimed design.

1 Claim, 7 Drawing Sheets



US D570,377 S

Page 2

U.S. PATENT DOCUMENTS

D478,097 S *	8/2003	Vennard et al.	D15/11	7,134,227 B2 *	11/2006	Quenzi et al.	37/274
6,618,965 B1 *	9/2003	Schultz et al.	37/232	2003/0182824 A1 *	10/2003	Coffin et al.	37/266
6,751,894 B2 *	6/2004	Verseef	37/266	2005/0193602 A1 *	9/2005	Osgood et al.	37/411
7,107,709 B2	9/2006	Hamel		2006/0042128 A1	3/2006	Schultz et al.	

* cited by examiner

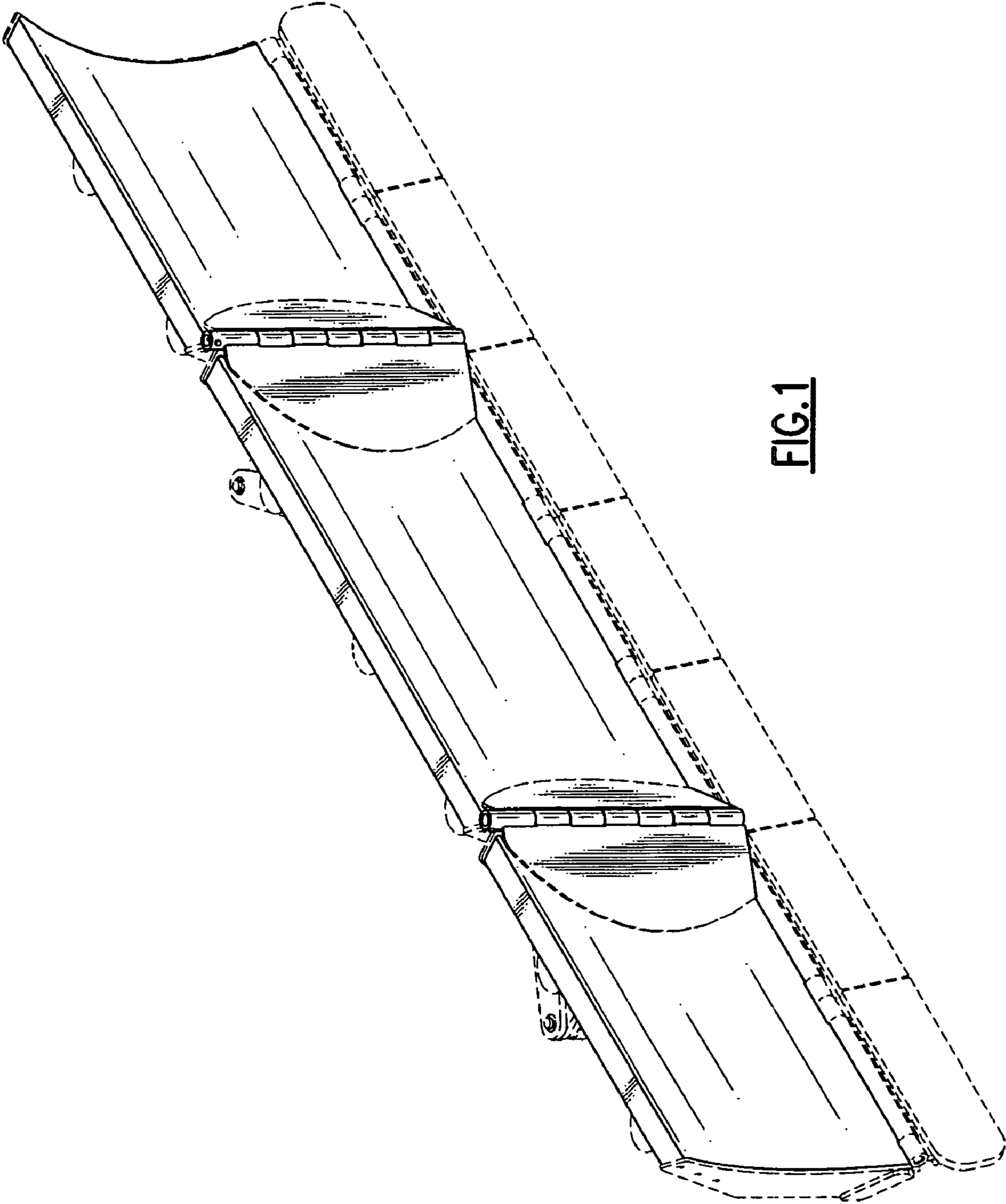


FIG.1

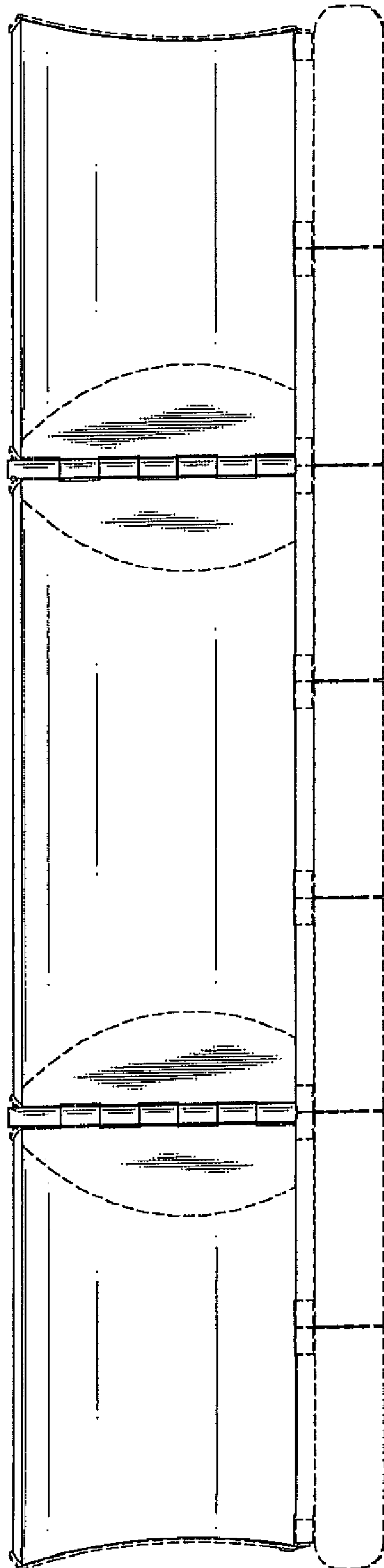


FIG.2

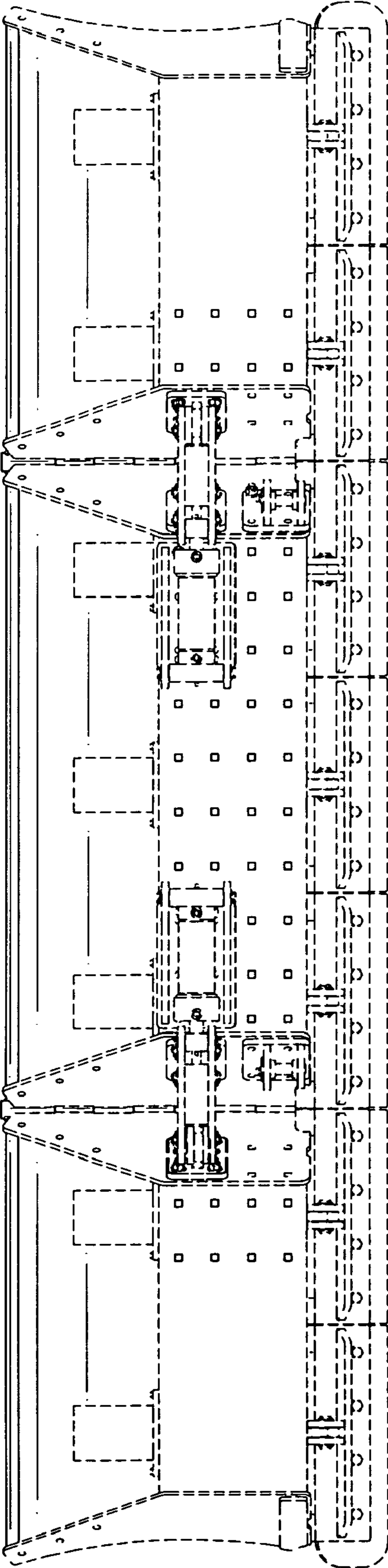


FIG.3

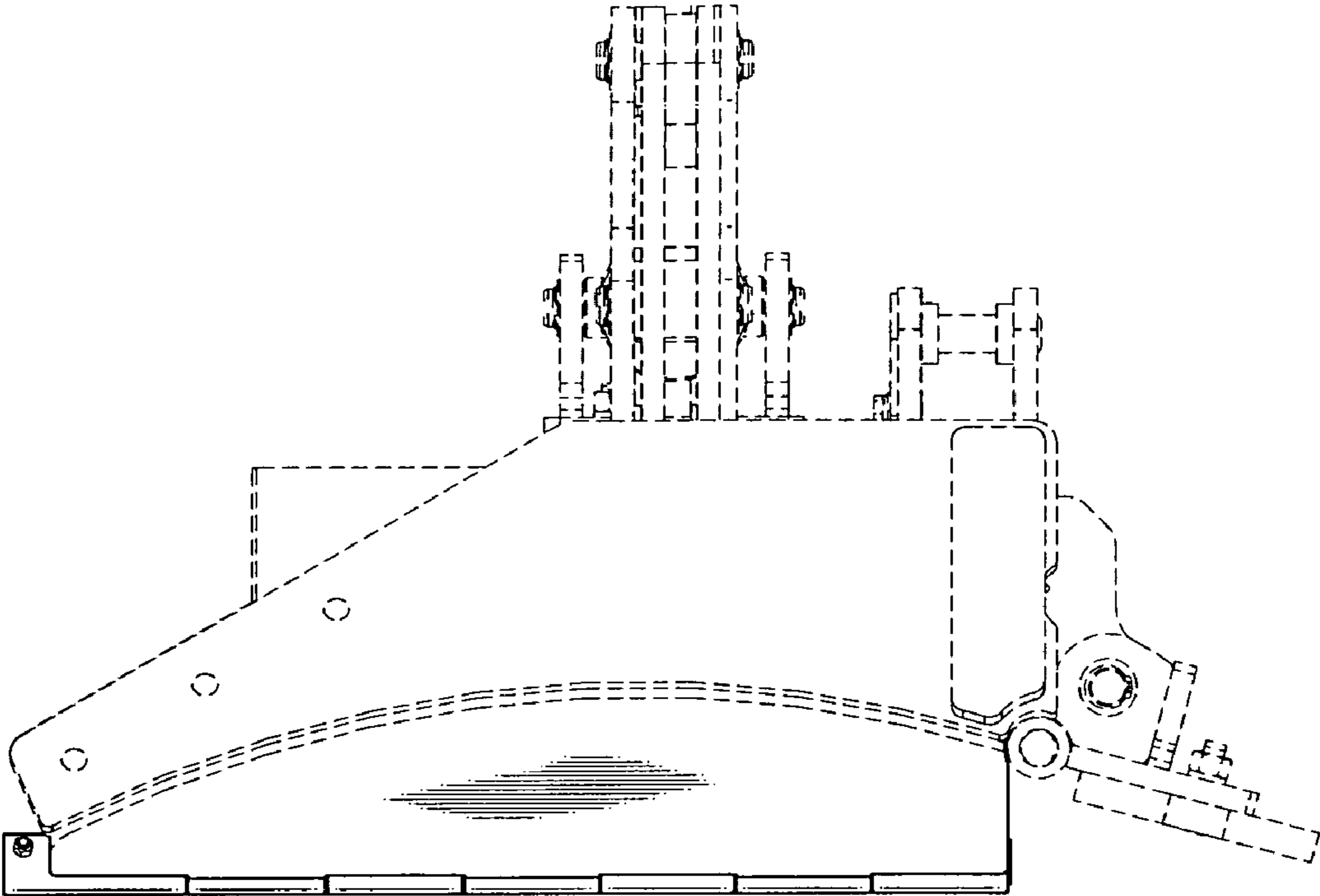


FIG. 4

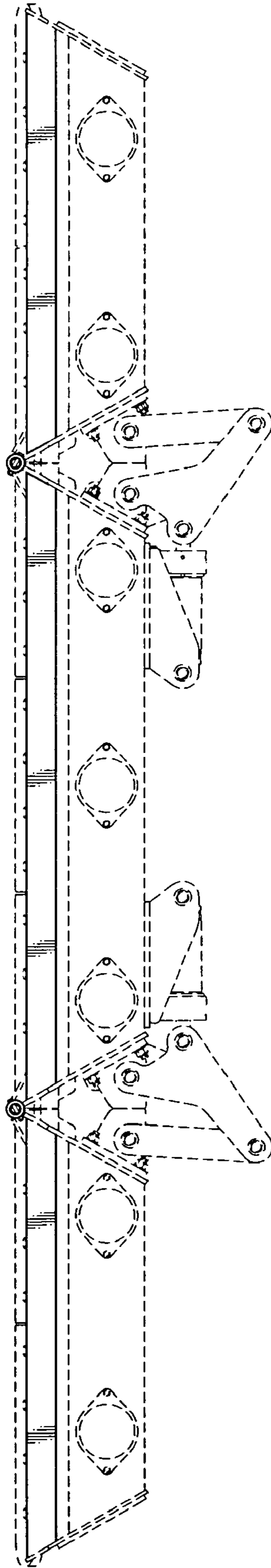


FIG. 5

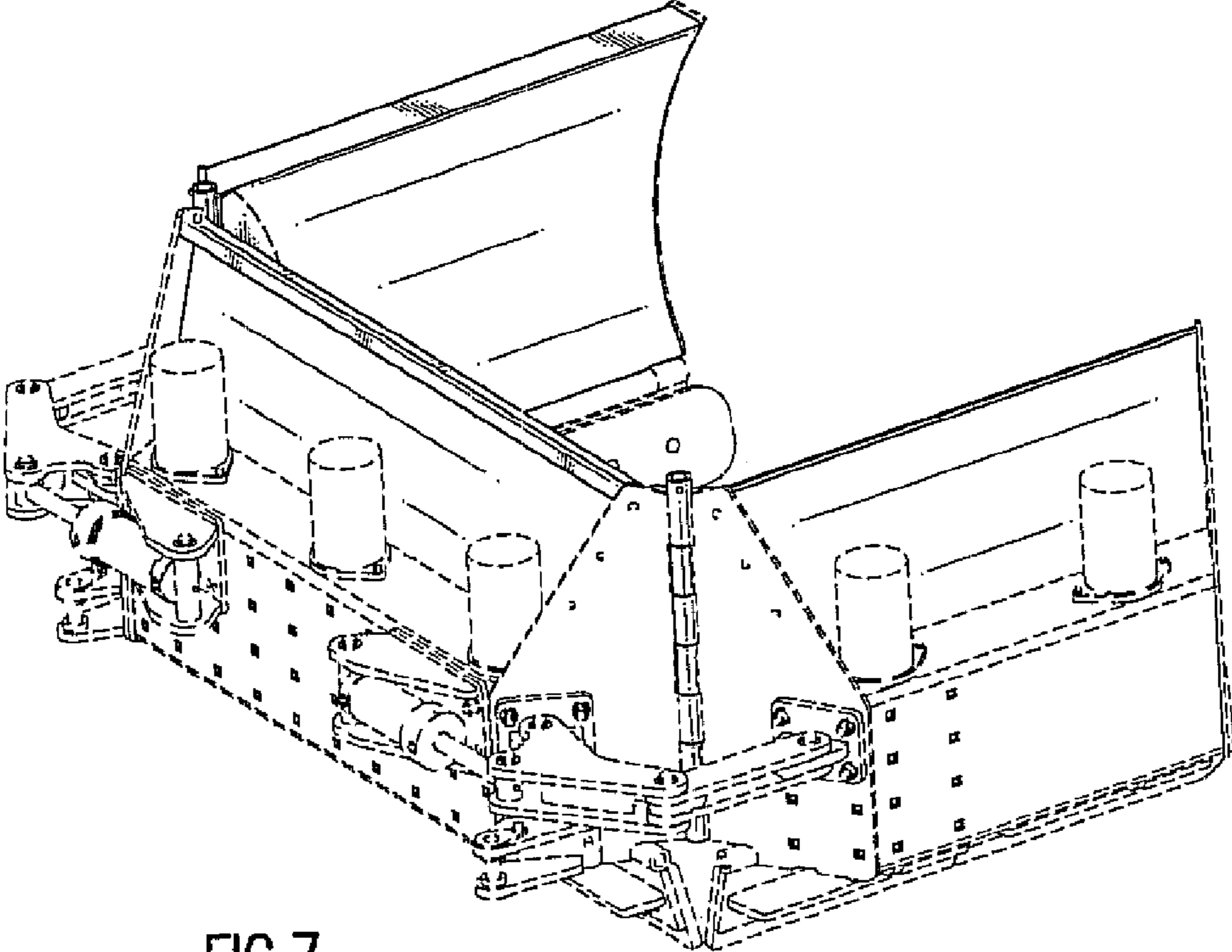


FIG. 7