



US00D570374S

(12) **United States Design Patent**
Hideki et al.

(10) **Patent No.:** **US D570,374 S**
(45) **Date of Patent:** **** Jun. 3, 2008**

- (54) **SEAL FOR A ROTARY SHAFT**
- (75) Inventors: **Tomoto Hideki**, Tokyo (JP); **Sanada Masamitsu**, Tokyo (JP)
- (73) Assignee: **Eagle Industry Co., Ltd.** (JP)
- (**) Term: **14 Years**
- (21) Appl. No.: **29/248,818**
- (22) Filed: **Sep. 6, 2006**
- (30) **Foreign Application Priority Data**
May 30, 2006 (JP) 2006-013596
- (51) **LOC (8) Cl.** **15-02**
- (52) **U.S. Cl.** **D15/7**
- (58) **Field of Classification Search** D15/7-9;
D23/231; 417/410.1, 359, 415-416, 234,
417/321, 265, 405; 277/431, 347, 304, 366,
277/377, 908
See application file for complete search history.

- D118,842 S * 2/1940 Tyler D15/7
- 2,393,779 A * 1/1946 Hunter 277/366
- 3,144,280 A * 8/1964 Sorenson 384/144
- 4,583,747 A * 4/1986 Aufderhaar et al. 277/431
- 4,878,676 A * 11/1989 Johnson 277/304
- D384,675 S * 10/1997 Murakami et al. D15/7

* cited by examiner

Primary Examiner—R. Seifert

(74) *Attorney, Agent, or Firm*—Hayes Soloway P.C.

(57) **CLAIM**

The ornamental design for a seal for a rotary shaft, as shown and described.

DESCRIPTION

FIG. 1 is a perspective view of a seal for a rotary shaft showing our design;

FIG. 2 is a side plane view thereof, the view from all sides being identical;

FIG. 3 is a rear elevational view thereof; and,

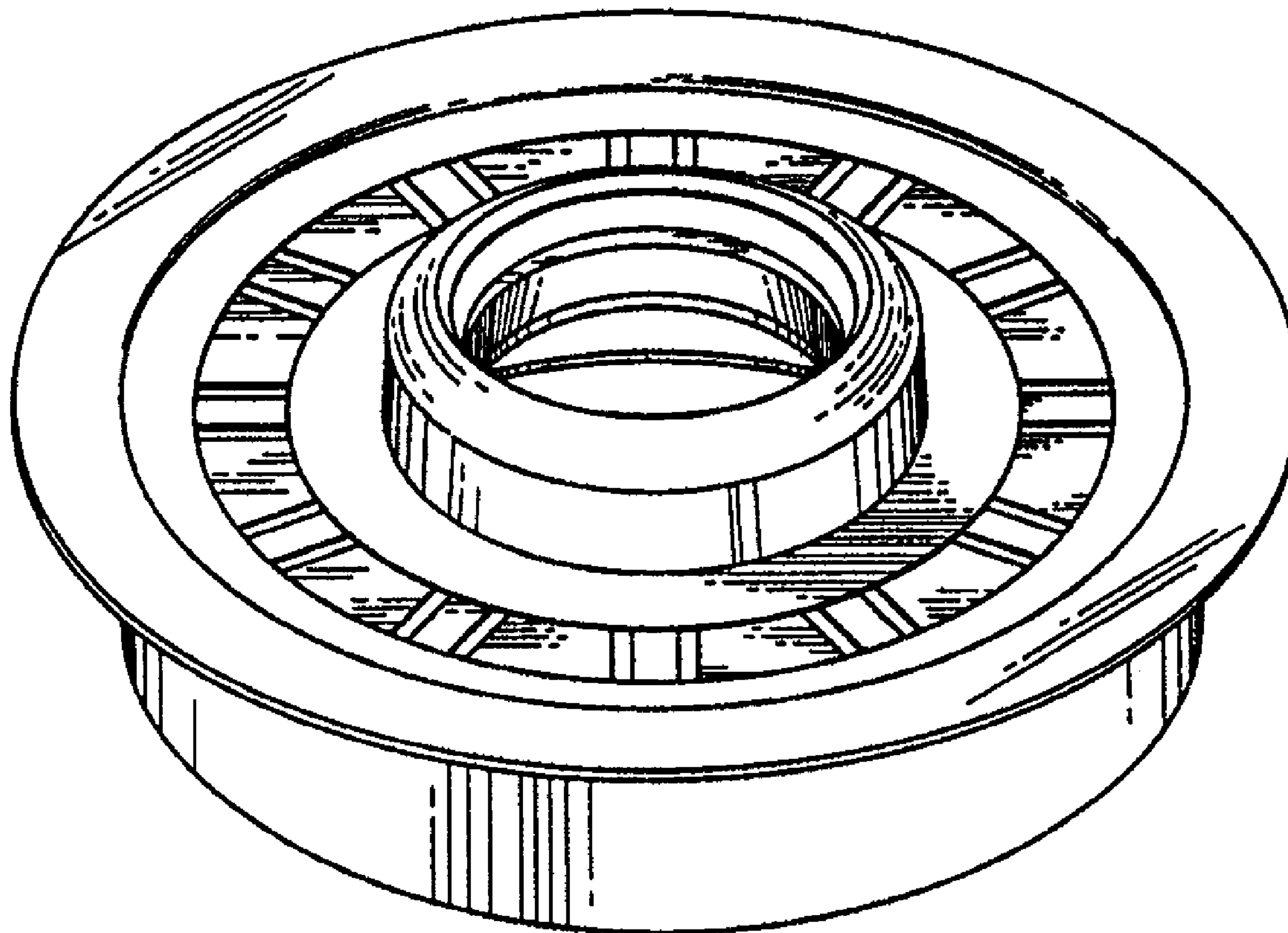
FIG. 4 is a front elevational view thereof.

(56) **References Cited**

U.S. PATENT DOCUMENTS

D33,508 S * 11/1900 Smith D15/7

1 Claim, 4 Drawing Sheets



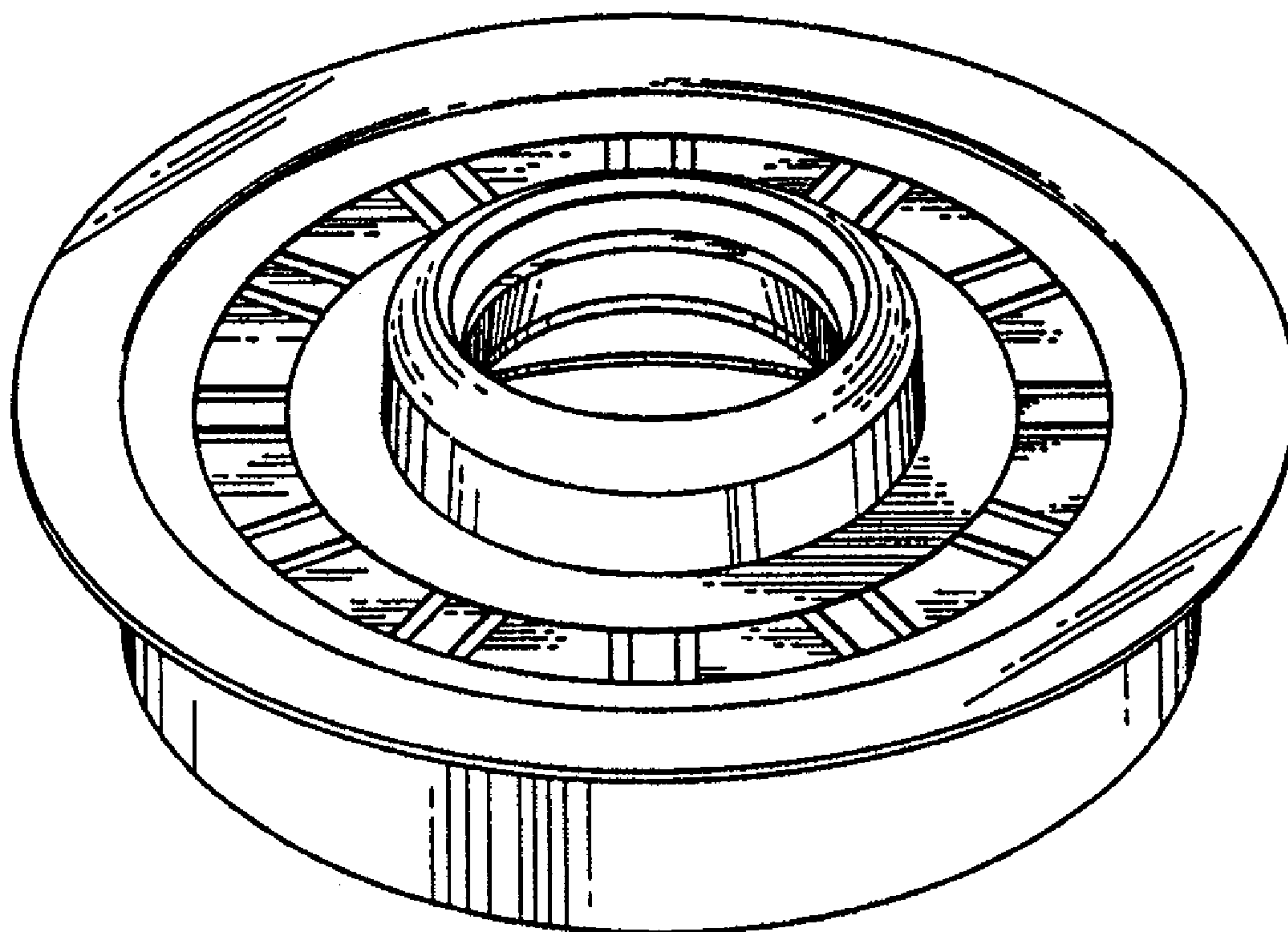


FIG. 1

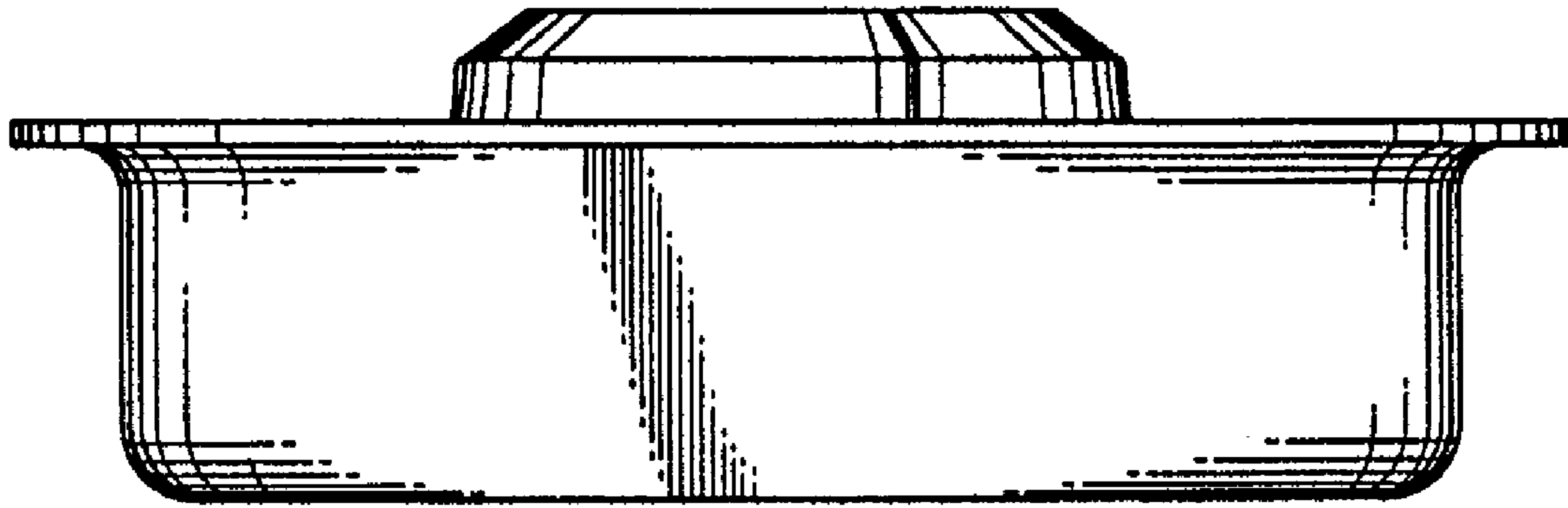


FIG. 2

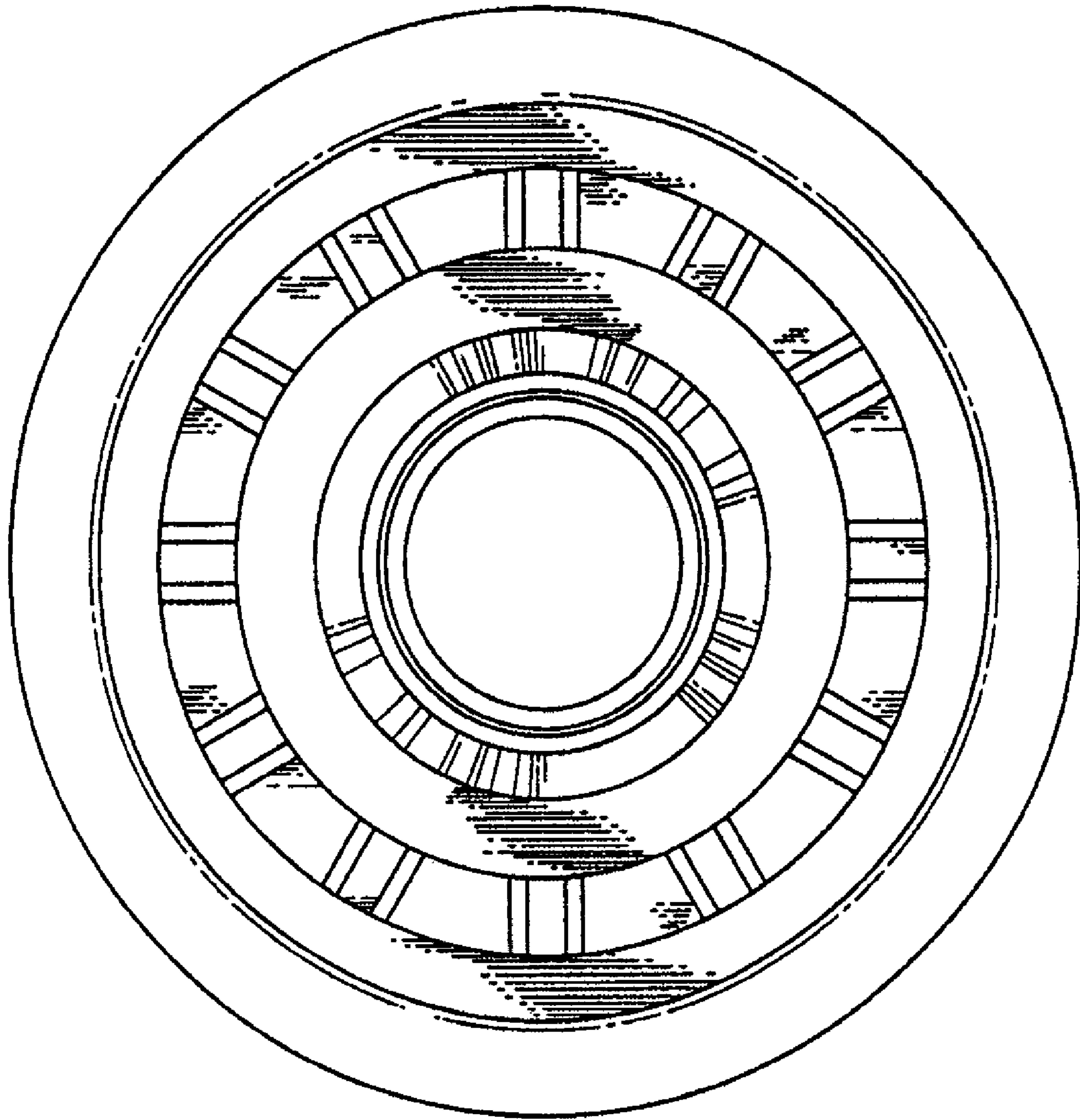


FIG. 3

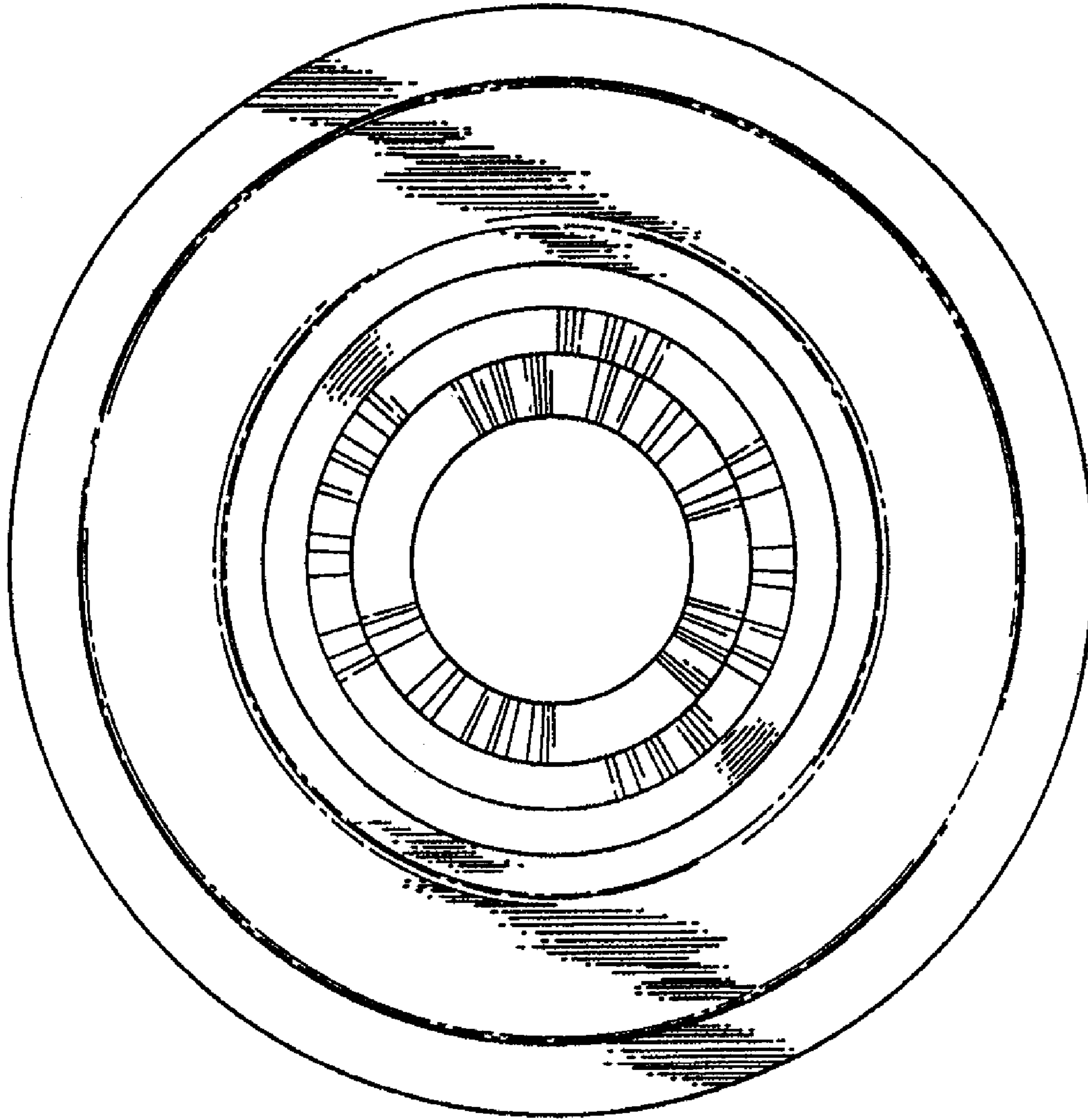


FIG. 4