

US00D570357S

(12) **United States Design Patent**
DeMaio et al.

(10) **Patent No.:** **US D570,357 S**
(45) **Date of Patent:** **** Jun. 3, 2008**

(54) **KEY FOR INPUT DEVICE**

(75) Inventors: **Pasquale DeMaio**, Bellevue, WA (US);
Isabelo V. de los Reyes, Bellevue, WA (US);
Steven T. Kaneko, Medina, WA (US);
Carl J. Ledbetter, Mercer Island, WA (US);
Gregory G. Jones, Seattle, WA (US);
Tucker Fort, New York, NY (US);
Tim Kennedy, Staten Island, NY (US);
Courtney Smith, West Orange, NJ (US)

(73) Assignee: **Microsoft Corporation**, Redmond, WA (US)

(**) Term: **14 Years**

(21) Appl. No.: **29/237,765**

(22) Filed: **Sep. 7, 2005**

(51) **LOC (8) Cl.** **14-02**

(52) **U.S. Cl.** **D14/456**

(58) **Field of Classification Search** D14/391-399,
D14/455, 456, 385; D18/1, 2, 7, 11; 200/5 A,
200/5 R, 6 A, 6 R, 341; 235/380, 382, 382.5;
341/22, 23; 345/160, 168, 173; 400/477,
400/484-486, 492, 692; 455/556.1
See application file for complete search history.

(56) **References Cited**

U.S. PATENT DOCUMENTS

5,387,042 A * 2/1995 Brown 400/477

D358,382 S * 5/1995 Franz D14/456
5,763,842 A * 6/1998 Tsai et al. 200/5 A
5,836,705 A * 11/1998 Choate 400/486
6,259,049 B1 * 7/2001 Nakai 200/341
D467,932 S * 12/2002 Jones D14/456
D481,730 S * 11/2003 Kang et al. D14/385
6,686,549 B2 * 2/2004 Douzono et al. 200/341
2002/0109675 A1 * 8/2002 Kuan 345/168
2004/0009790 A1 * 1/2004 Im 455/556.1

* cited by examiner

Primary Examiner—Freda S Nunn

(74) *Attorney, Agent, or Firm*—Banner & Witcoff, Ltd.

(57) **CLAIM**

The ornamental design for a key for input device, as shown and described.

DESCRIPTION

FIG. 1 is a perspective view of a key for input device showing our new design;

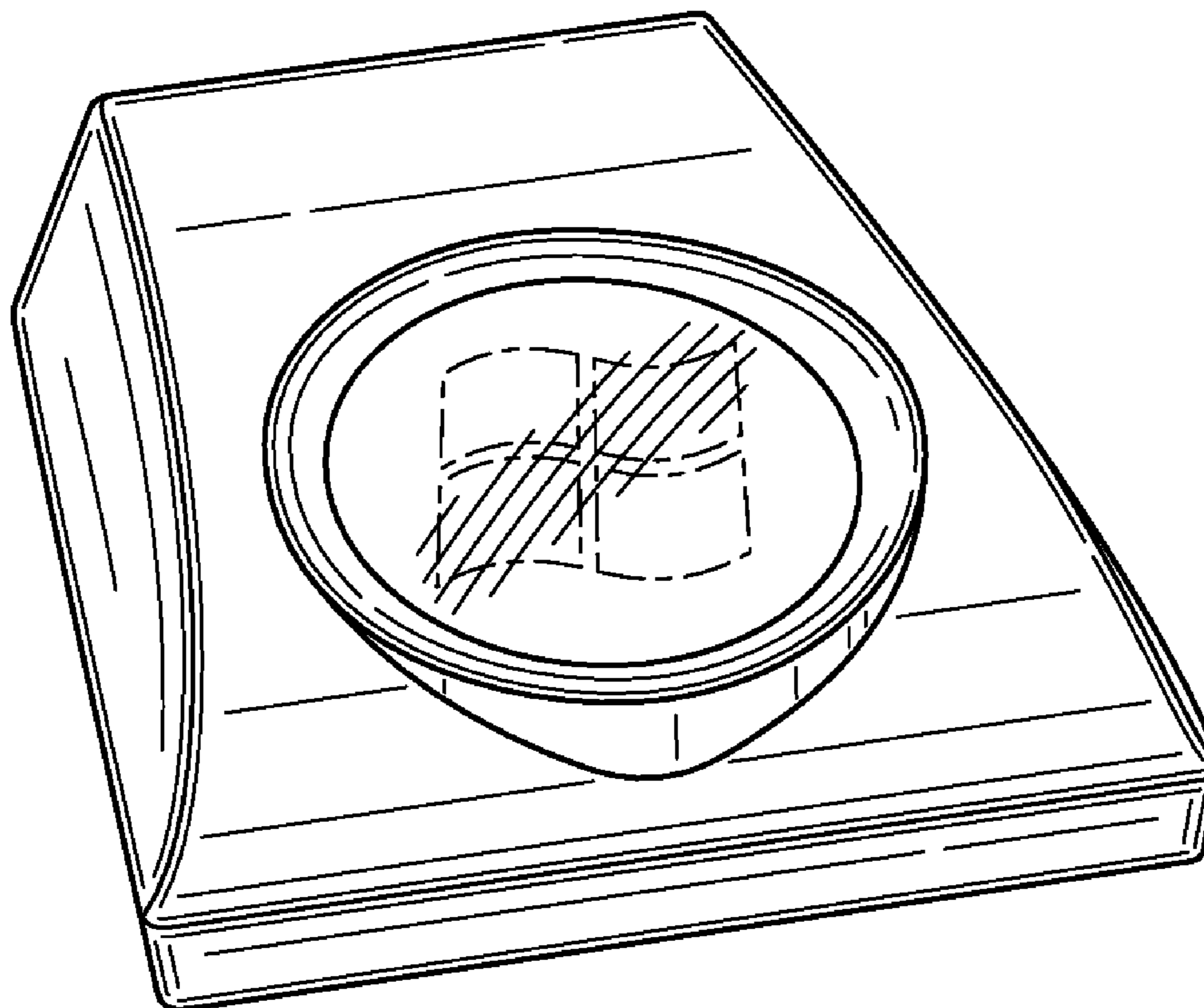
FIG. 2 is a top view of the key for input device thereof;

FIG. 3 is a front view of the key for input device thereof; and,

FIG. 4 is a right side view of the key for input device thereof.

The broken line configuration of the four shapes shown on the key is shown for illustrative purposes only and forms no part of the claimed design.

1 Claim, 2 Drawing Sheets



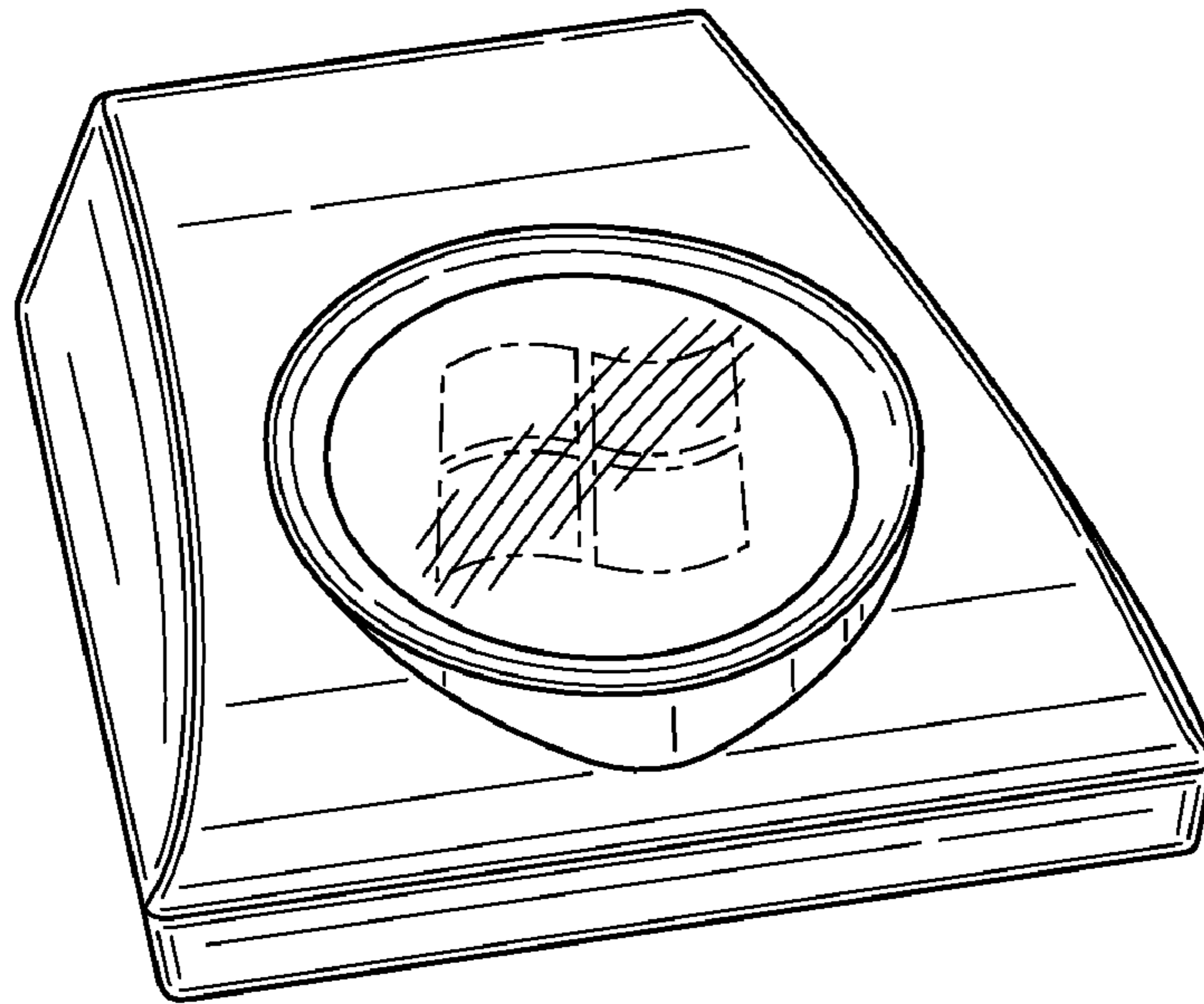


FIG. 1

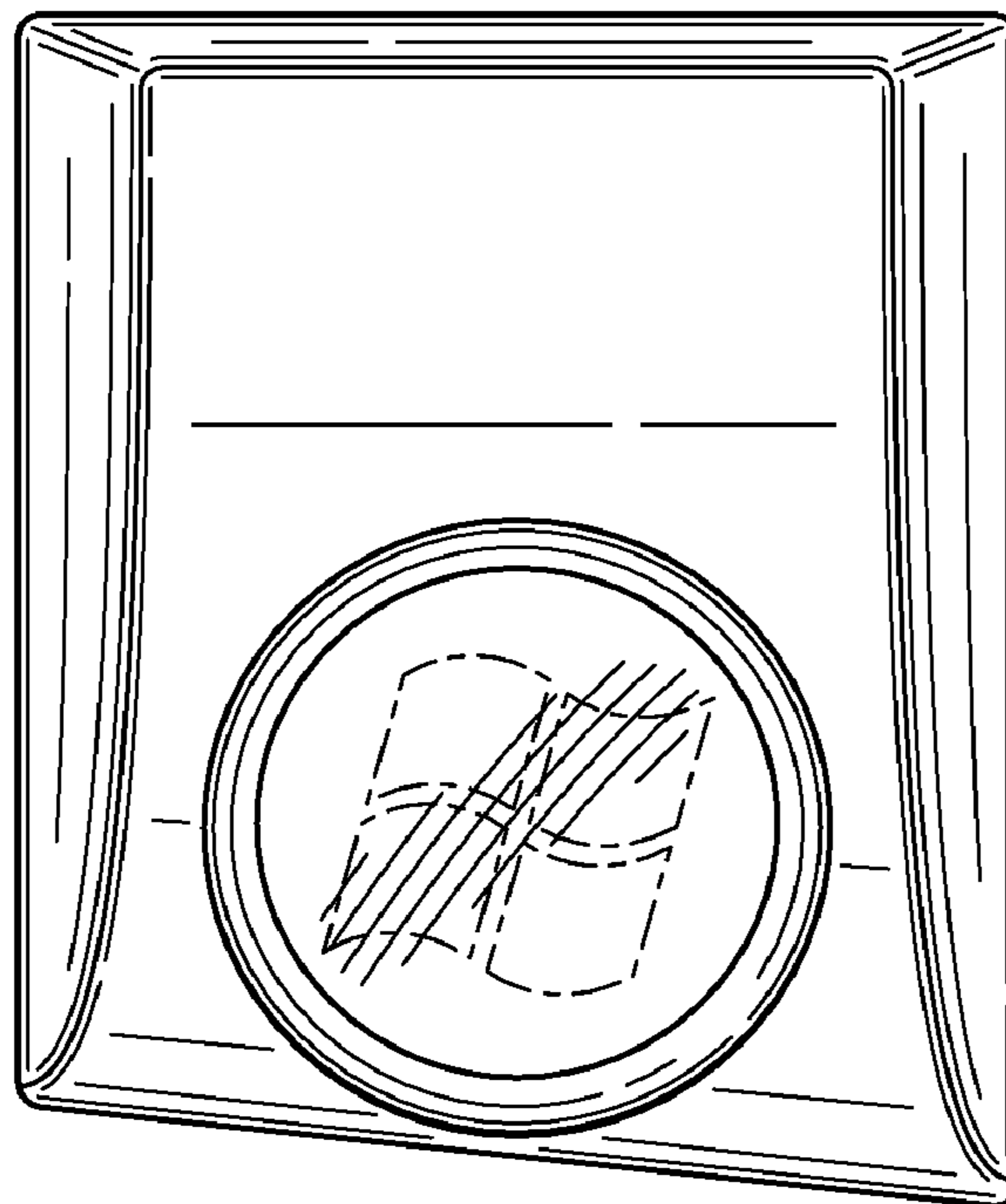


FIG. 2

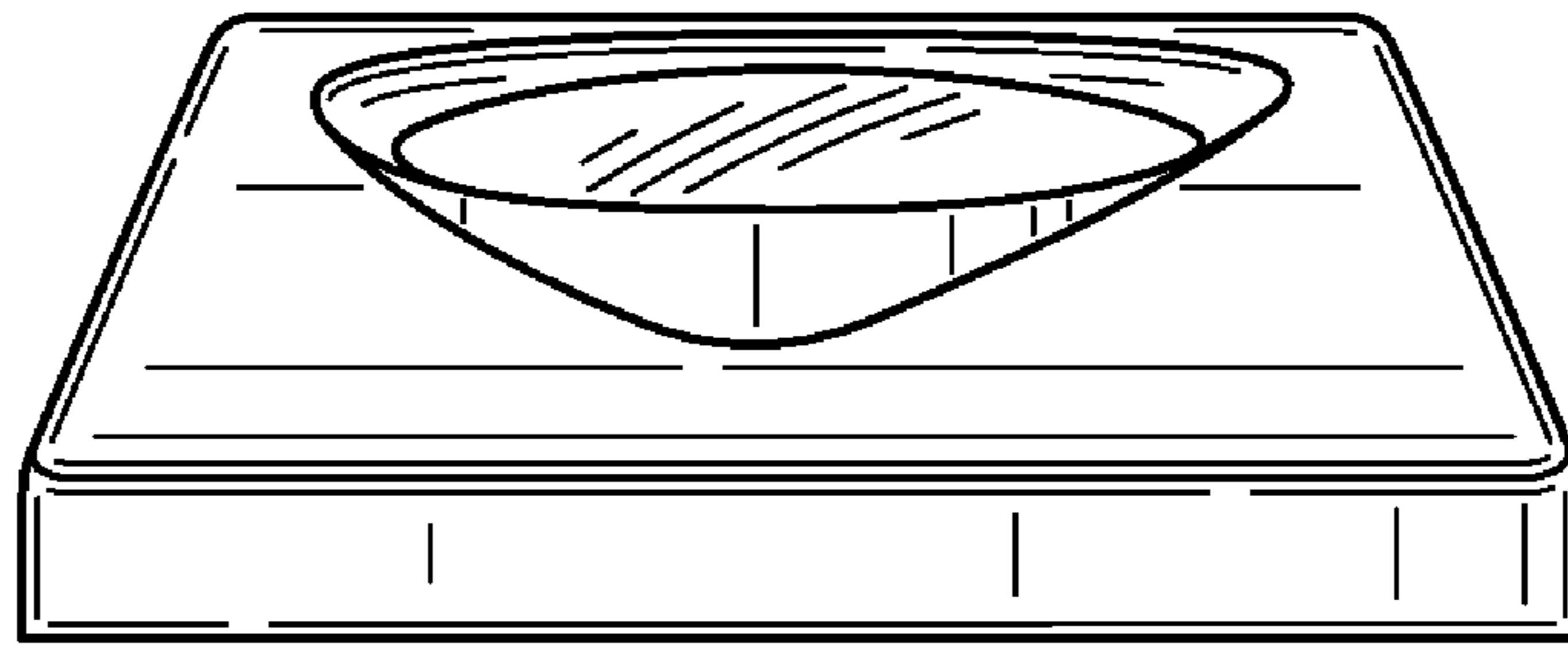


FIG. 3

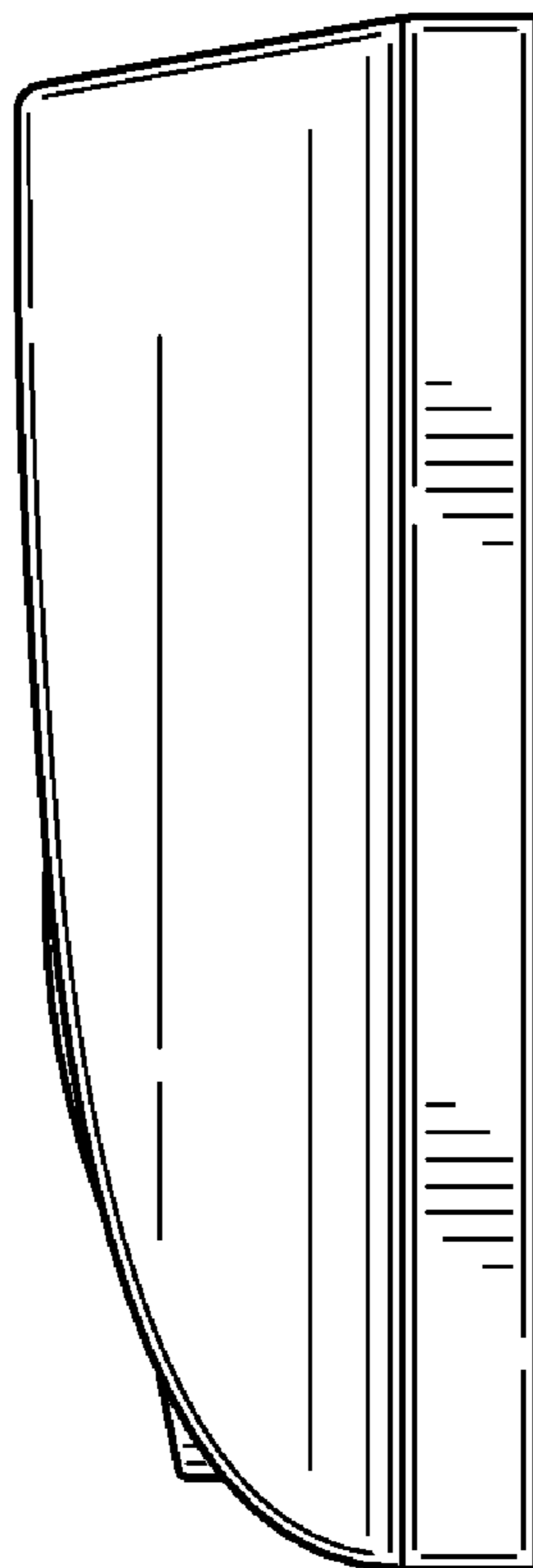


FIG. 4