



US00D570348S

(12) **United States Design Patent**
Turpault et al.

(10) **Patent No.:** **US D570,348 S**
(45) **Date of Patent:** **** Jun. 3, 2008**

(54) **READER PLATE**
(75) Inventors: **Mathieu Dominic Turpault**, Berwyn,
PA (US); **John Anastasiadis**, Thornton,
PA (US)

(73) Assignee: **Assa Abloy US Holdings, Inc.**,
Providence, RI (US)

(**) Term: **14 Years**

(21) Appl. No.: **29/249,474**

(22) Filed: **Oct. 9, 2006**

(51) **LOC (8) Cl.** **14-02**

(52) **U.S. Cl.** **D14/385**

(58) **Field of Classification Search** D14/240,
D14/356-358, 363, 365, 367-370, 383-386,
D14/389, 432, 434, 441, 442; D18/4.1-4.6;
D13/162, 164, 184; 361/684, 686, 728, 747;
235/382, 382.5

See application file for complete search history.

(56) **References Cited**

U.S. PATENT DOCUMENTS

D228,061 S *	8/1973	Kartarik	D8/350
D377,645 S *	1/1997	Iwamoto et al.	D14/385
5,807,139 A *	9/1998	Volansky et al.	439/638
D419,966 S *	2/2000	Mowery et al.	D13/184
D424,028 S *	5/2000	Vaiani	D13/184
D436,596 S *	1/2001	Ito et al.	D14/434
D447,747 S *	9/2001	Ogden et al.	D14/370
D460,443 S *	7/2002	Brunner et al.	D14/240
D461,180 S *	8/2002	Van Egmond et al.	D14/240
D463,411 S *	9/2002	Stokes et al.	D14/240
D476,549 S *	7/2003	Shaw	D8/353
D491,564 S *	6/2004	Chaney et al.	D14/435

D491,953 S *	6/2004	Arakaki et al.	D14/453
D493,169 S *	7/2004	Cheng	D14/357
D493,695 S *	8/2004	Wengrower	D8/353
D509,214 S *	9/2005	Chung	D14/240
D511,527 S *	11/2005	Hernandez et al.	D14/495
D518,451 S *	4/2006	Nussberger et al.	D13/184
D520,500 S *	5/2006	Storti et al.	D14/240
D521,001 S *	5/2006	Xiao et al.	D14/356
D534,057 S *	12/2006	Fields	D8/350
D535,994 S *	1/2007	Leibenguth	D14/385
D537,445 S *	2/2007	Bousfield	D14/383
D540,798 S *	4/2007	Orthey	D14/385

* cited by examiner

Primary Examiner—Cathron Brooks

Assistant Examiner—Deanna Fluegeman

(74) *Attorney, Agent, or Firm*—Woodcock Washburn LLP

(57) **CLAIM**

The ornamental design for a reader plate, as shown and described.

DESCRIPTION

FIG. 1 is a front perspective view of a reader plate showing our new design;

FIG. 2 is a front plan view thereof;

FIG. 3 is a side elevational view thereof;

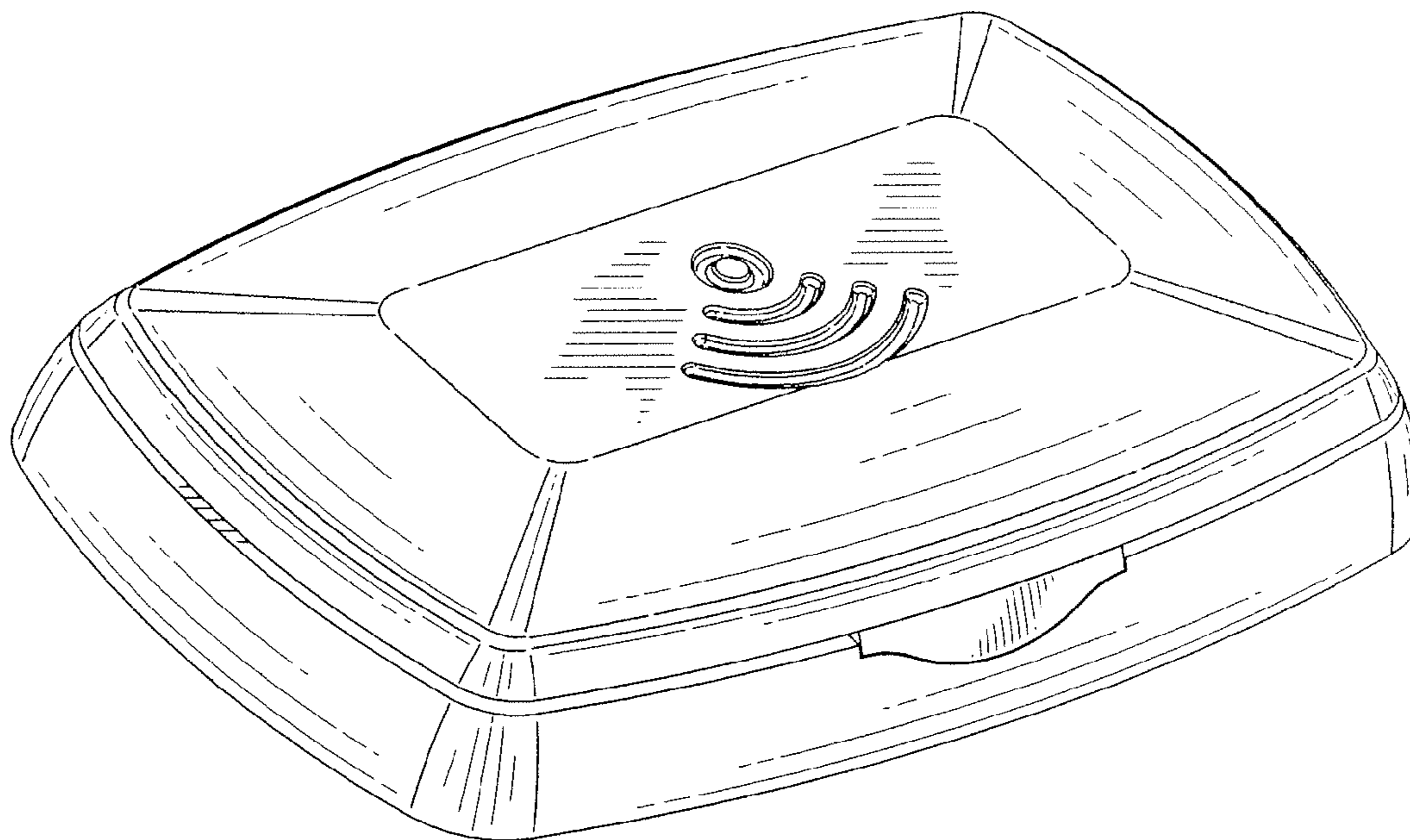
FIG. 4 is a bottom elevational view thereof;

FIG. 5 is a top elevational view thereof; and,

FIG. 6 is a back plan view thereof.

The broken lines define the bounds of the claimed design in the present application, and form no part thereof.

1 Claim, 6 Drawing Sheets



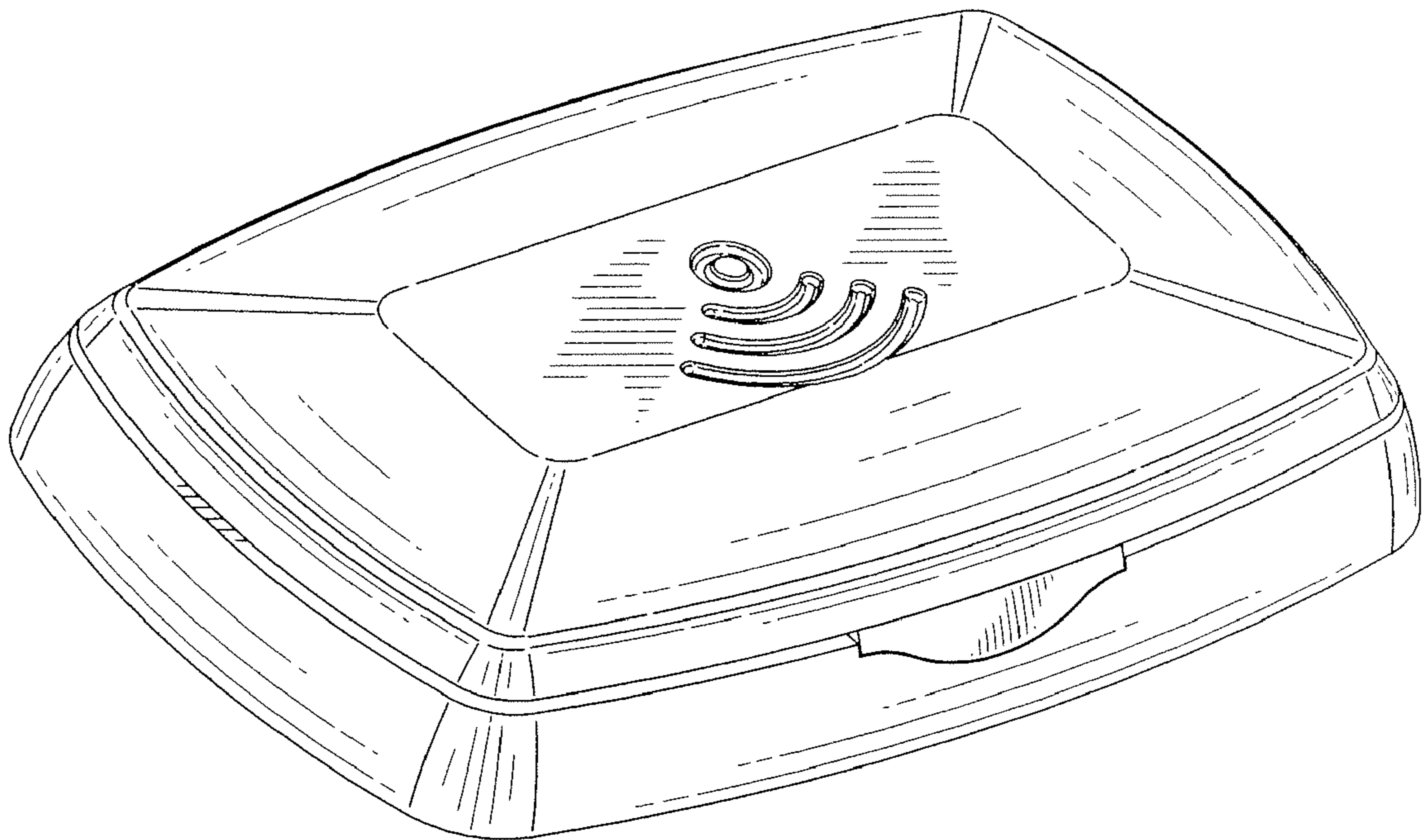


FIG. 1

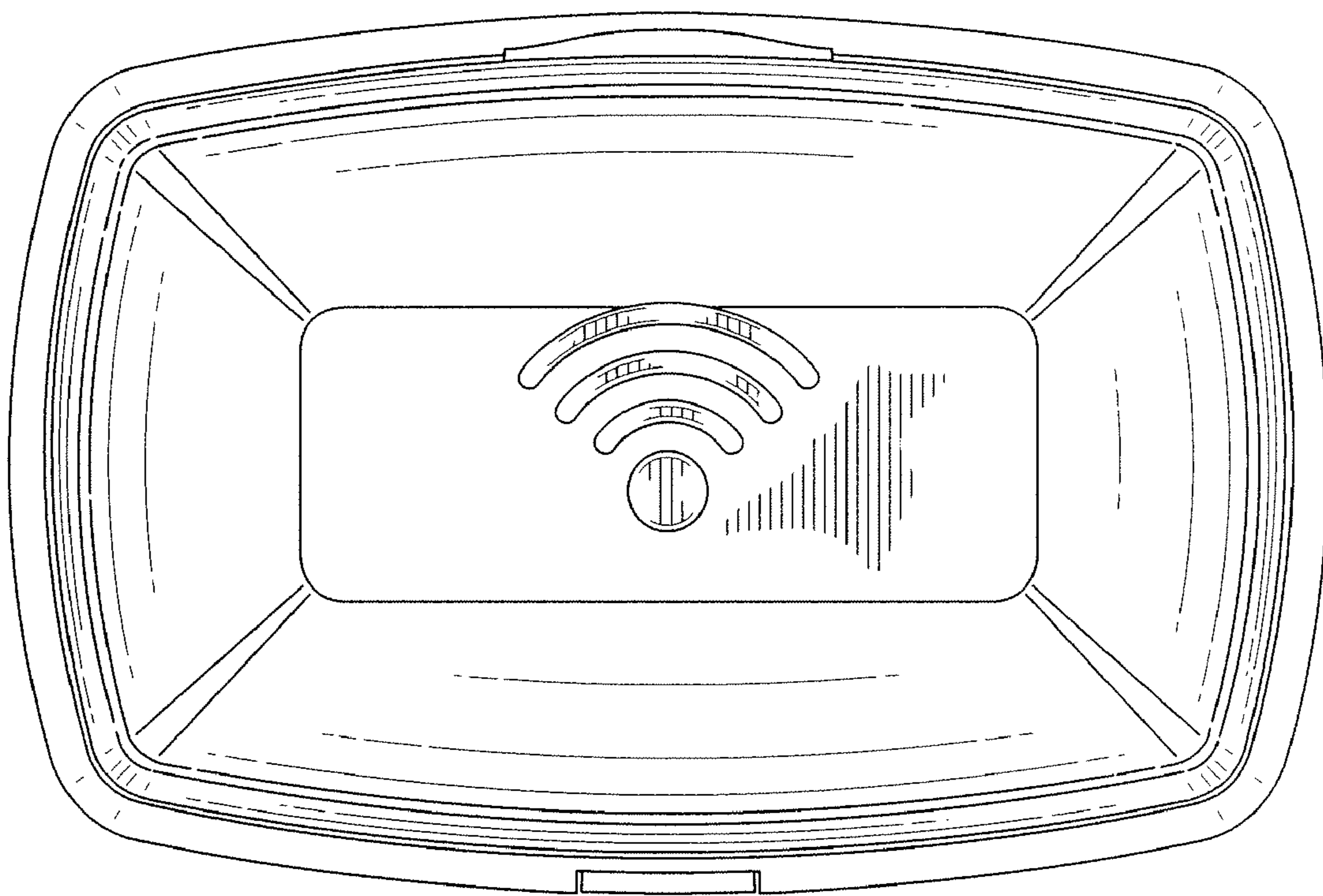


FIG. 2

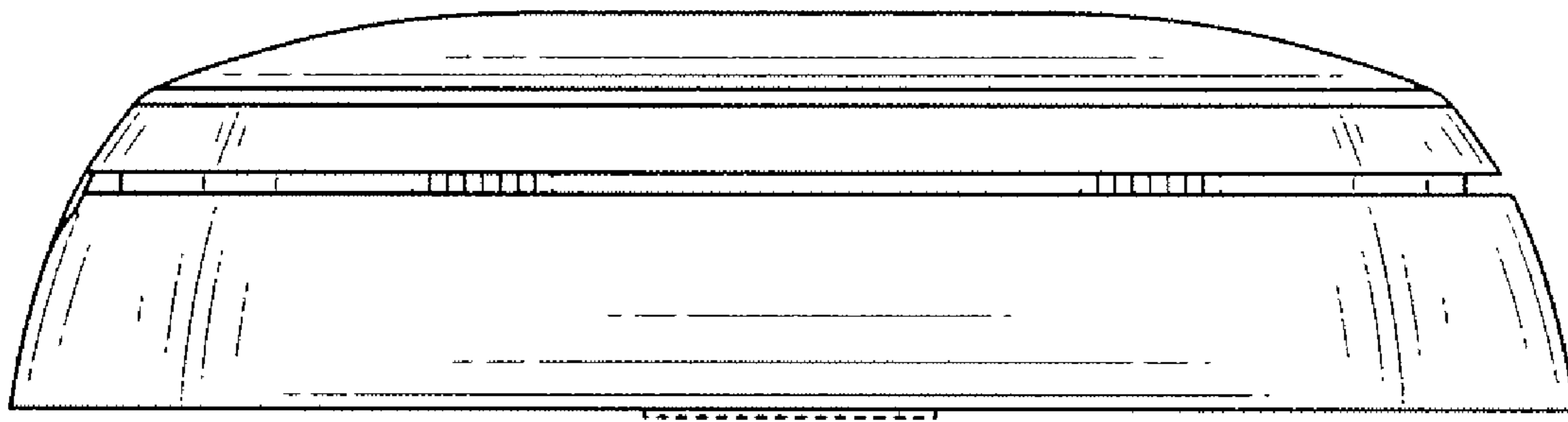


FIG. 3

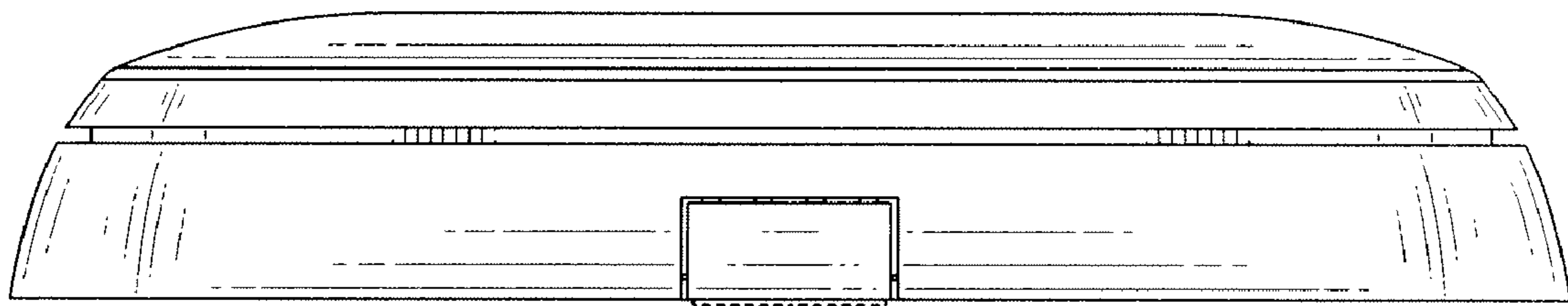


FIG. 4

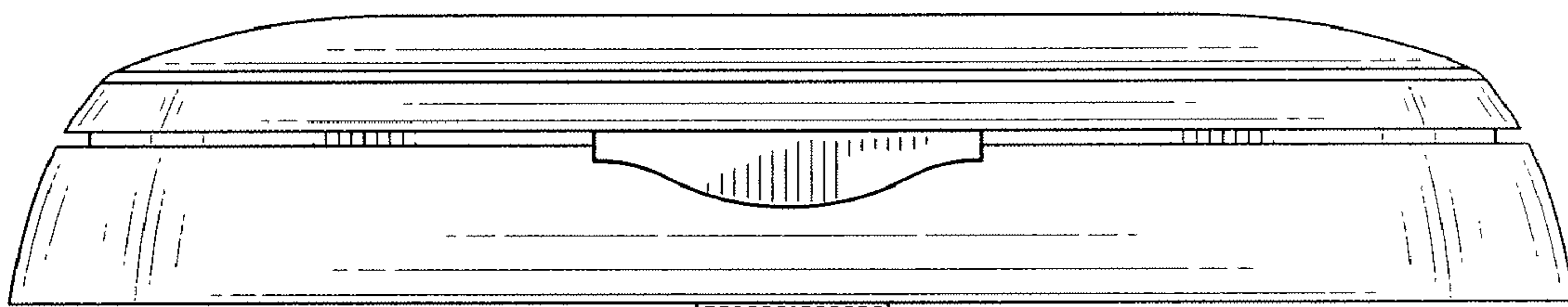


FIG. 5

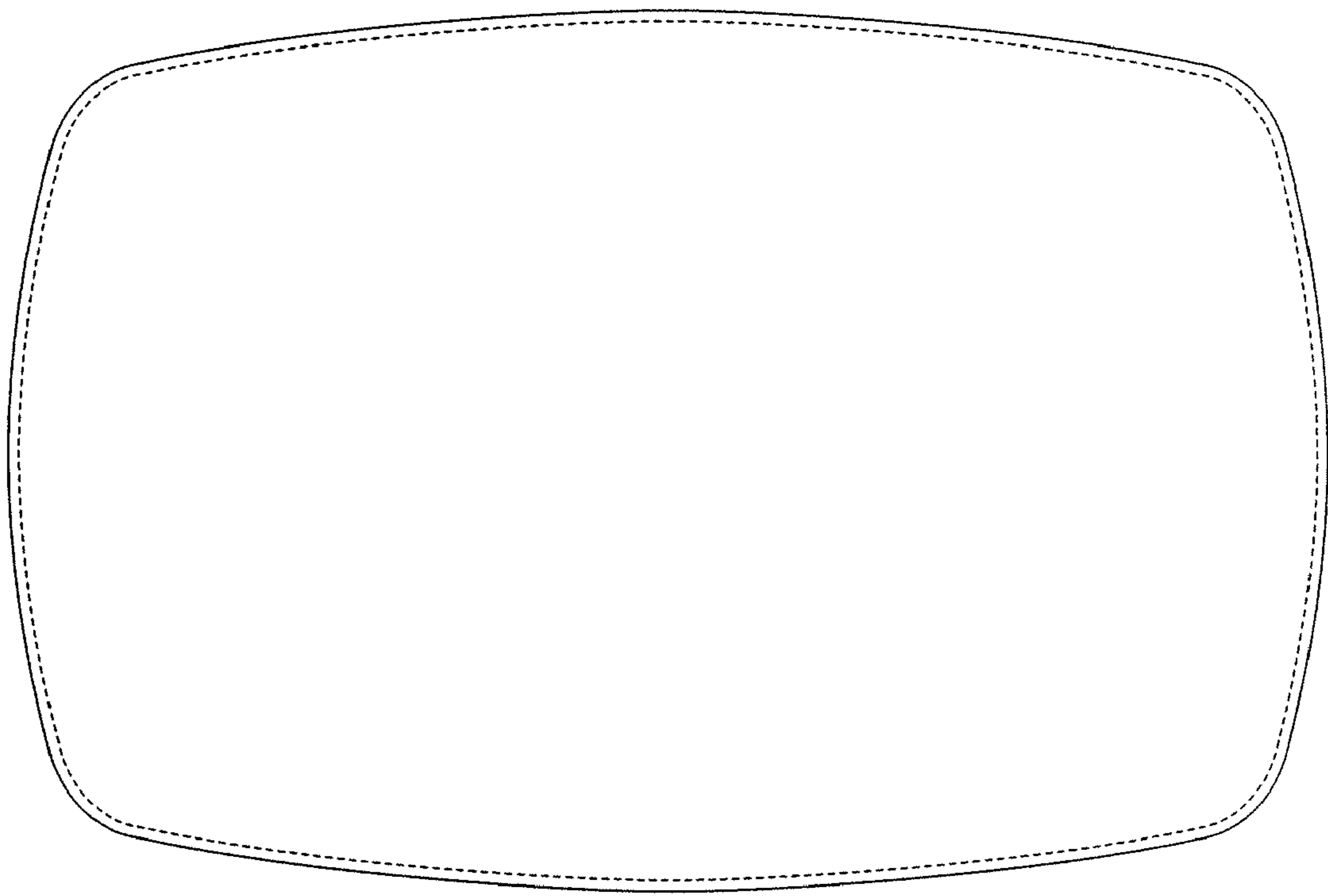


FIG. 6