

US00D570347S

(12) **United States Design Patent**  
**Kataoka et al.**

(10) **Patent No.:** **US D570,347 S**  
(45) **Date of Patent:** **\*\* Jun. 3, 2008**

(54) **PORTABLE MOBILE COMPUTER**

(75) Inventors: **Tetsu Kataoka**, Tokyo (JP); **Shiger Mitsuhiro**, Tokyo (JP); **Eun-Young Kim**, Gyeonggi-do (KR)

(73) Assignee: **Samsung Electronics Co., Ltd.**,  
Kyunggi-do (KR)

(\*\*) Term: **14 Years**

(21) Appl. No.: **29/272,051**

(22) Filed: **Jan. 31, 2007**

(51) **LOC (8) Cl.** ..... **14-02**

(52) **U.S. Cl.** ..... **D14/341**

(58) **Field of Classification Search** ..... D14/341,  
D14/342, 343, 344, 345, 346, 347, 452, 374,  
D14/426, 496, 137, 138, 247, 248, 455, 456,  
D14/420, 427, 432, 439, 440, 441, 448, 125,  
D14/129, 130, 250, 389, 147, 218, 156, 126;  
D21/517, 329, 331, 686; D18/7, 6; D10/65,  
D10/104; 345/169, 173; 379/433.04, 433.06,  
379/433.07, 433.11, 433.12, 433.13; 348/14.02;  
455/556.1, 556.2, 566, 575.1, 575.4, 90.3,  
455/575.3; 349/12; D13/168; D6/596,  
D6/601, 605; 361/814; 341/22

See application file for complete search history.

(56) **References Cited**

**U.S. PATENT DOCUMENTS**

|              |         |                       |         |
|--------------|---------|-----------------------|---------|
| D499,423 S * | 12/2004 | Bahroocha et al. .... | D14/496 |
| D501,185 S * | 1/2005  | Sato et al. ....      | D14/126 |
| D506,937 S * | 7/2005  | Lee et al. ....       | D10/65  |
| D507,003 S * | 7/2005  | Pai et al. ....       | D14/496 |
| D517,042 S   | 3/2006  | Byun et al.           |         |
| D518,472 S   | 4/2006  | Byun et al.           |         |
| D528,544 S   | 9/2006  | Kim                   |         |
| D529,491 S * | 10/2006 | Ball .....            | D14/346 |
| D532,791 S * | 11/2006 | Kim .....             | D14/496 |

|              |         |                   |         |
|--------------|---------|-------------------|---------|
| D534,908 S   | 1/2007  | Lee               |         |
| D535,631 S   | 1/2007  | Millora           |         |
| D554,098 S * | 10/2007 | Lee .....         | D14/138 |
| D554,635 S * | 11/2007 | Chung et al. .... | D14/341 |
| D554,637 S * | 11/2007 | Ball .....        | D14/346 |
| D558,791 S * | 1/2008  | Toh et al. ....   | D14/496 |
| D559,859 S * | 1/2008  | Kim .....         | D14/496 |
| D560,231 S * | 1/2008  | Lee .....         | D14/496 |
| D561,758 S * | 2/2008  | Ball .....        | D14/346 |

**OTHER PUBLICATIONS**

U.S. Appl. No. 29/256,358, Applicant: Yang-Jic Lee, et al., filed Mar. 20, 2006 entitled Portable Information Terminal.

U.S. Appl. No. 29/262,197, Applicant: Se-O Lee, et al., filed Jun. 28, 2006 entitled Portable Personal Computer.

U.S. Appl. No. 29/269,012, Applicant: Tetsu Kataoka, et al., filed Nov. 17, 2006 entitled Portable Mobile Computer.

\* cited by examiner

*Primary Examiner*—Cathron Brooks

*Assistant Examiner*—Angela J Lee

(74) *Attorney, Agent, or Firm*—Flynn, Thiel, Boutell & Tanis, P.C.

(57) **CLAIM**

The ornamental design for a portable mobile computer, as shown and described.

**DESCRIPTION**

FIG. 1 is a top front perspective view of a portable mobile computer showing our new design;

FIG. 2 is a front elevational view thereof;

FIG. 3 is a rear elevational view thereof;

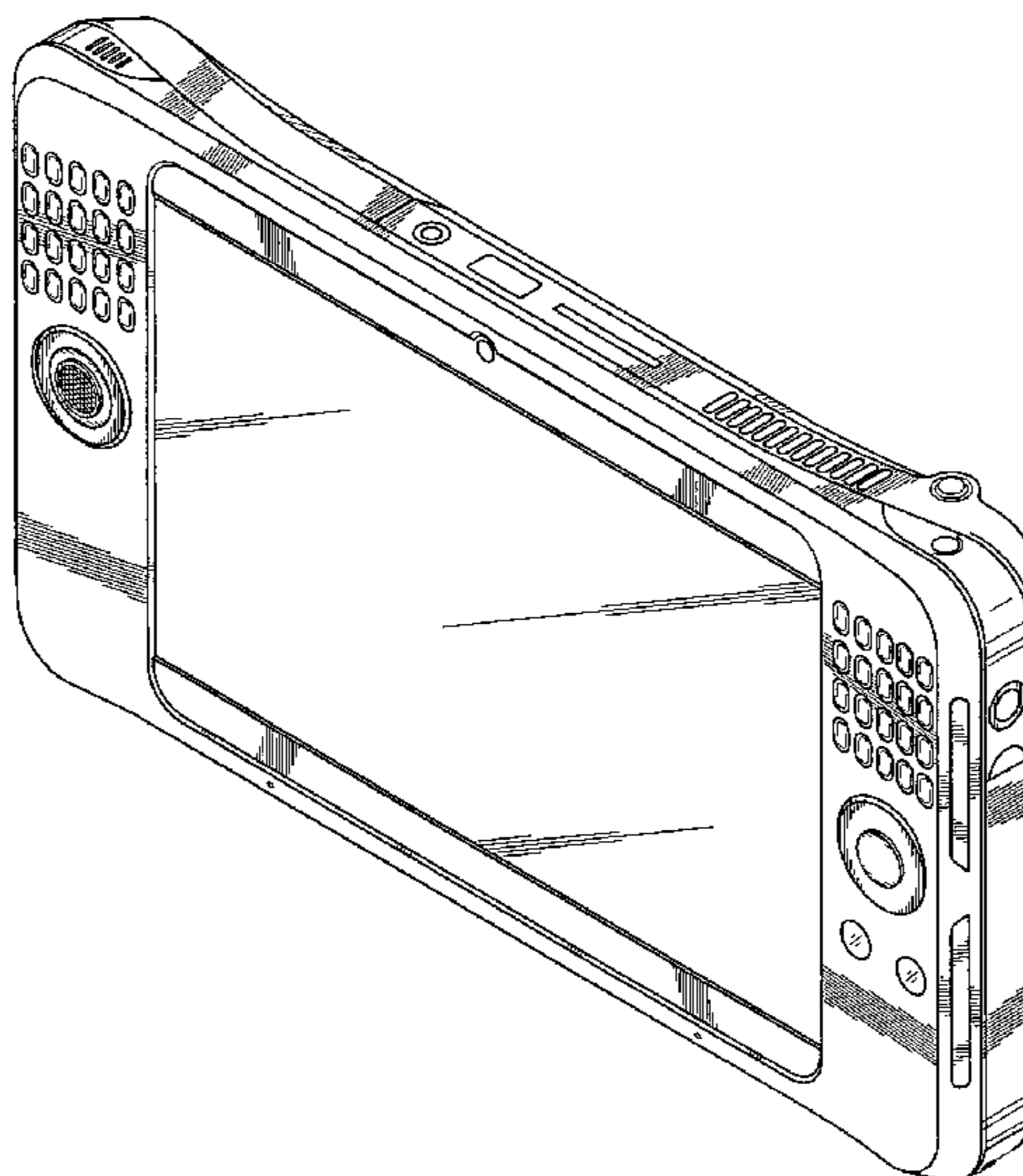
FIG. 4 is a left side elevational view thereof;

FIG. 5 is a right side elevational view thereof;

FIG. 6 is a top plan view thereof; and,

FIG. 7 is a bottom plan view thereof.

**1 Claim, 4 Drawing Sheets**



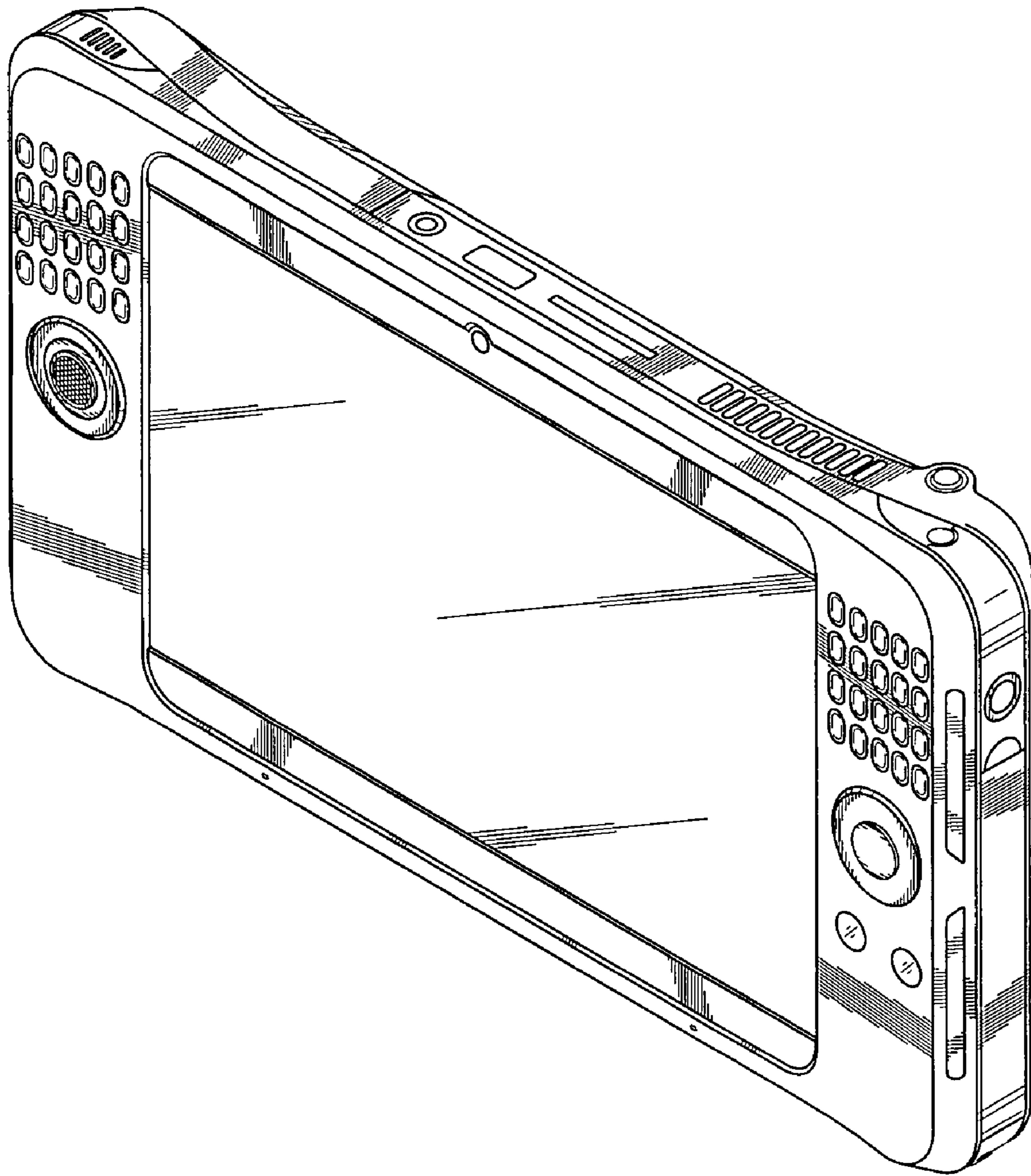


FIG. 1

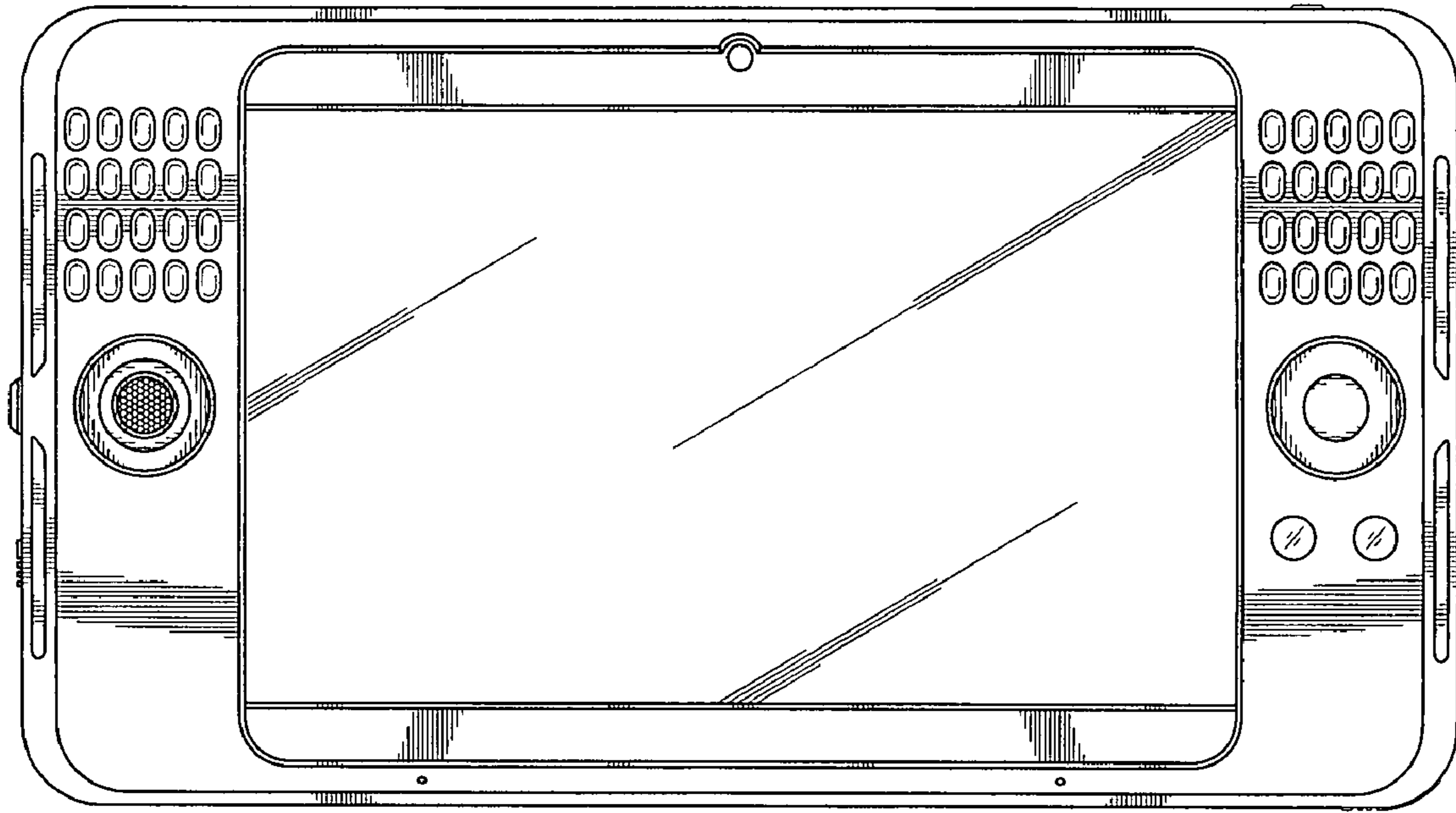


FIG. 2

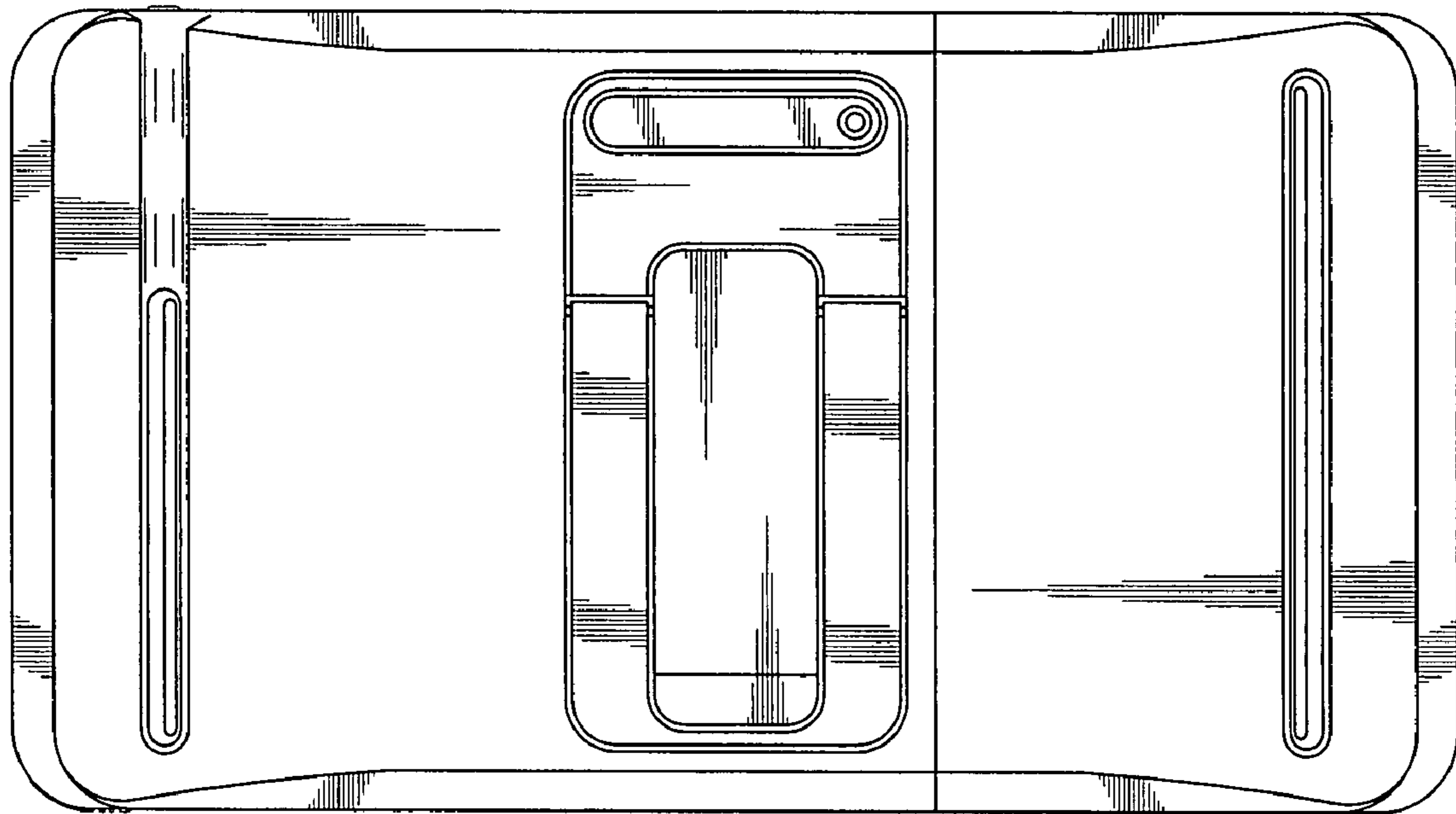


FIG. 3

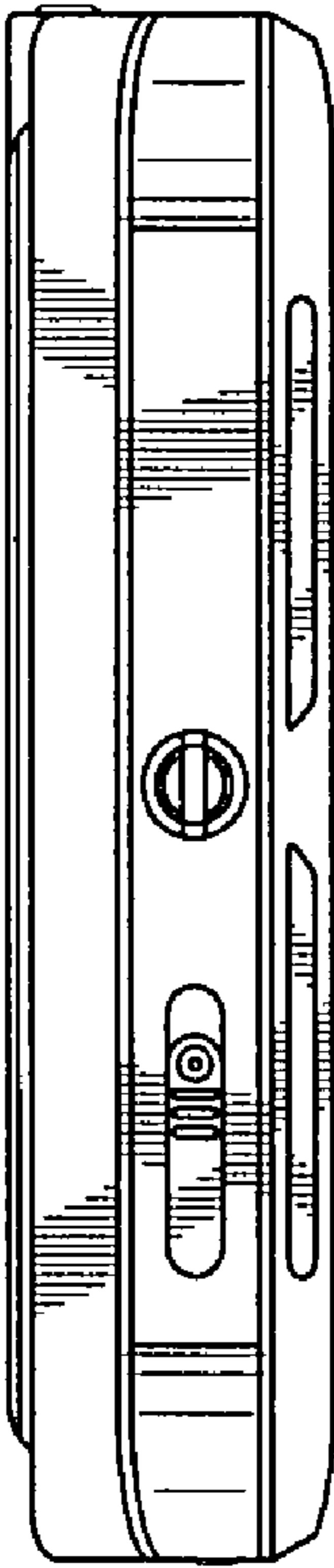


FIG. 4

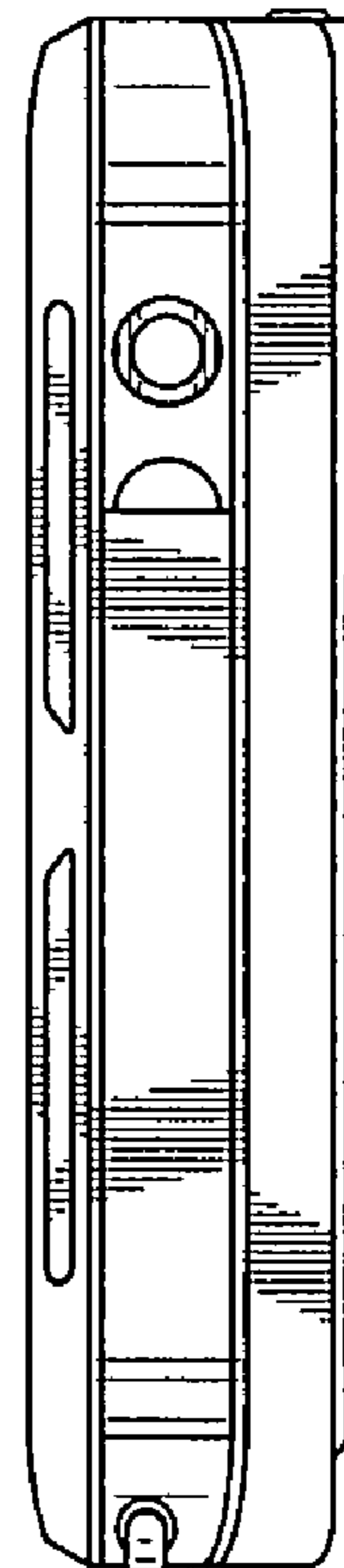


FIG. 5

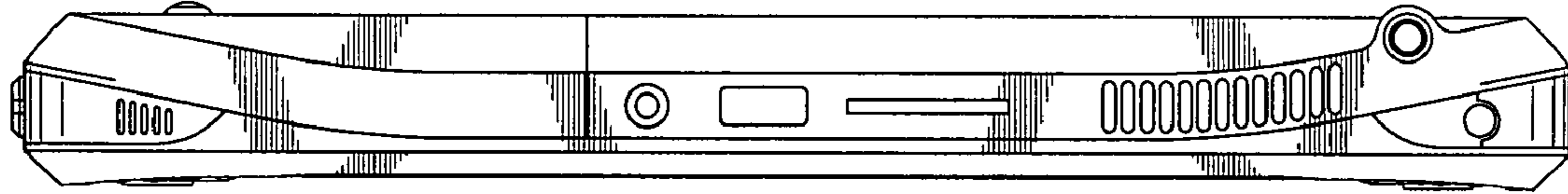


FIG. 6

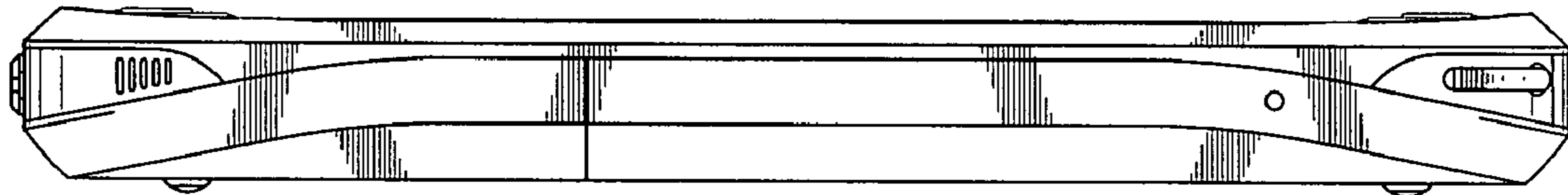


FIG. 7