



US00D570345S

(12) **United States Design Patent**
Lee et al.

(10) **Patent No.: US D570,345 S**
(45) **Date of Patent: ** Jun. 3, 2008**

(54) **COMPUTER**

(75) Inventors: **Peter K. Lee**, San Jose, CA (US); **John William Pennington, Jr.**, Mountain View, CA (US); **David Wykes**, Seattle, WA (US); **Carl Ledbetter**, Mercer Island, WA (US); **Nick Oakley**, Seattle, WA (US); **Joshua Marsuka**, Seattle, WA (US)

(73) Assignee: **Hewlett-Packard Development Company, L.P.**, Houston, TX (US)

(**) Term: **14 Years**

(21) Appl. No.: **29/266,830**

(22) Filed: **Sep. 29, 2006**

(51) **LOC (8) Cl.** **14-02**

(52) **U.S. Cl.** **D14/336**

(58) **Field of Classification Search** D14/336,
D14/337, 371, 374, 375, 125-129; 345/104,
345/156, 168, 169, 173; 348/180, 184, 325,
348/739; 248/917-924; 341/12; 349/1,
349/2, 11, 62

See application file for complete search history.

(56) **References Cited**

U.S. PATENT DOCUMENTS

D410,439 S * 6/1999 Shibata D14/336
D439,896 S * 4/2001 Floyd D14/337
D469,085 S * 1/2003 Hill et al. D14/337

D504,426 S * 4/2005 Shoda et al. D14/336
D512,998 S * 12/2005 Sogabe D14/336

* cited by examiner

Primary Examiner—Freda S Nunn

(57) **CLAIM**

We claim the ornamental design for a computer, as shown and described.

DESCRIPTION

FIG. 1 is a front, right side perspective of the design for the computer;

FIG. 2 is a front elevational view thereof;

FIG. 3 is a rear elevational view thereof;

FIG. 4 is a left side elevational view thereof;

FIG. 5 is a right side elevational view thereof;

FIG. 6 is a top plan view thereof;

FIG. 7 is a bottom plan view thereof;

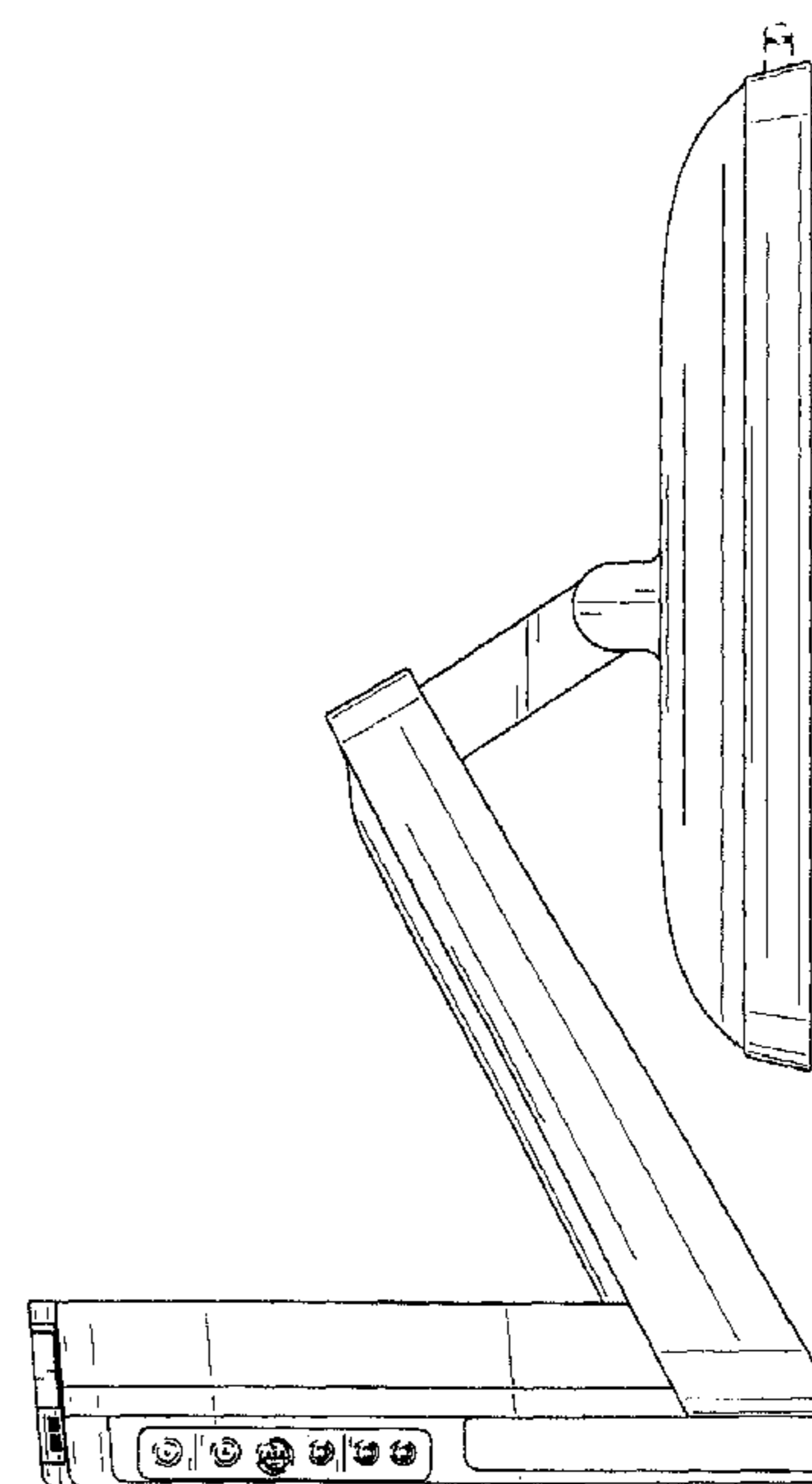
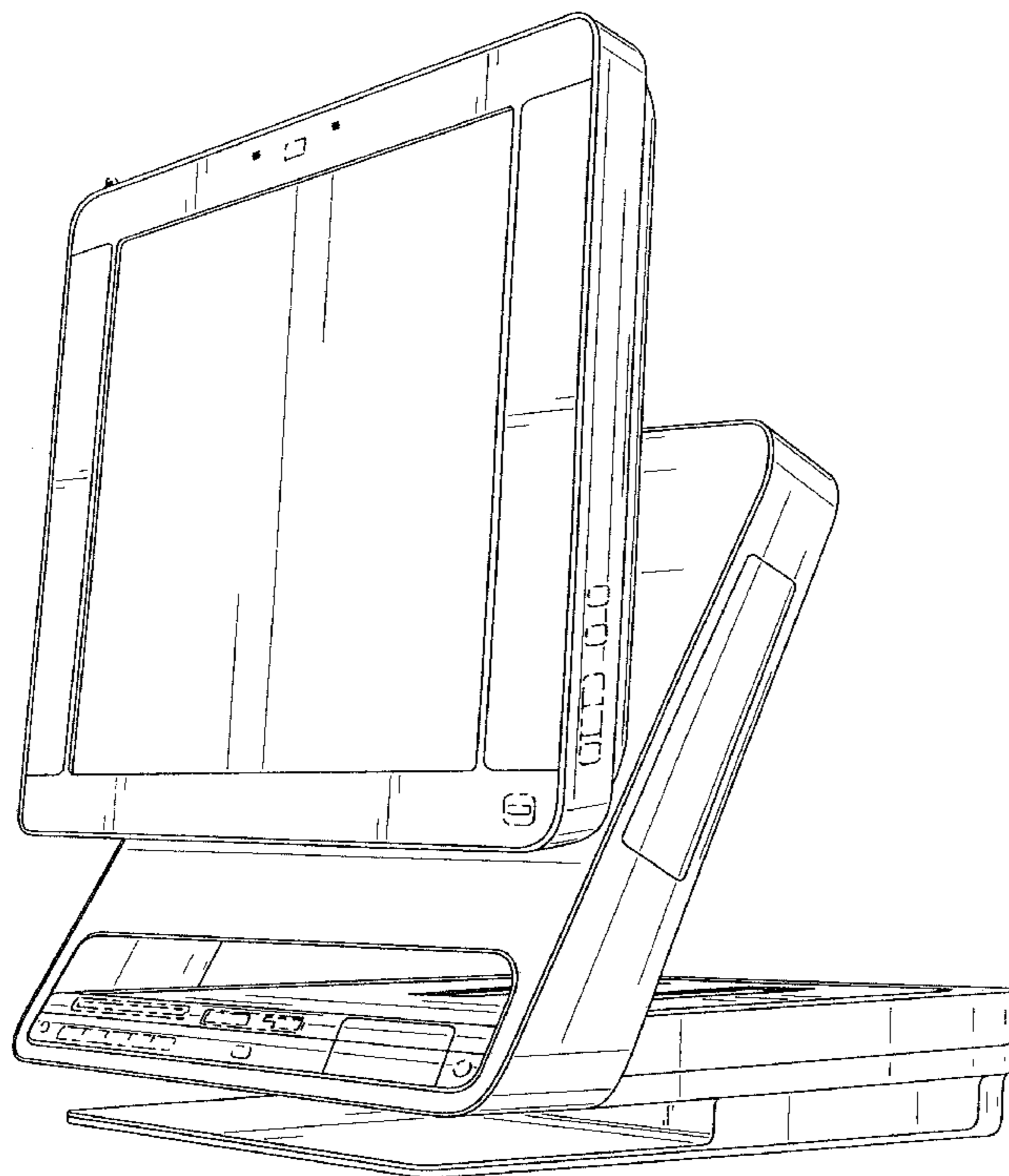
FIG. 8 is front, right side perspective view thereof with a keyboard inserted;

FIG. 9 is a left side elevational view thereof with the display in an alternate position; and,

FIG. 10 is right side elevational view thereof with a printer positioned on a rear platform of the computer.

The broken lines are shown in the views for illustrative purposes only and form no part of the claimed design.

1 Claim, 10 Drawing Sheets



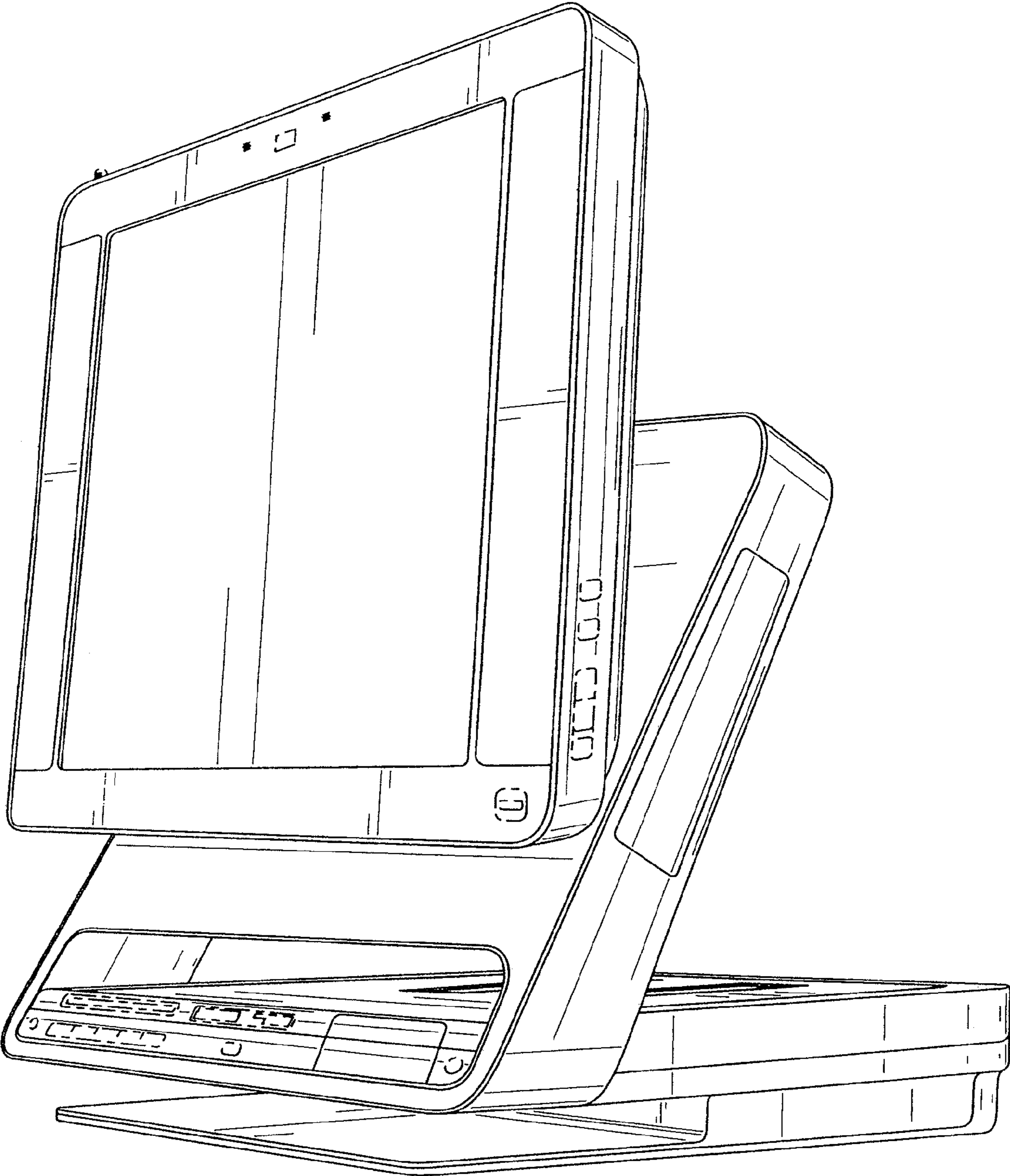


FIG. 1

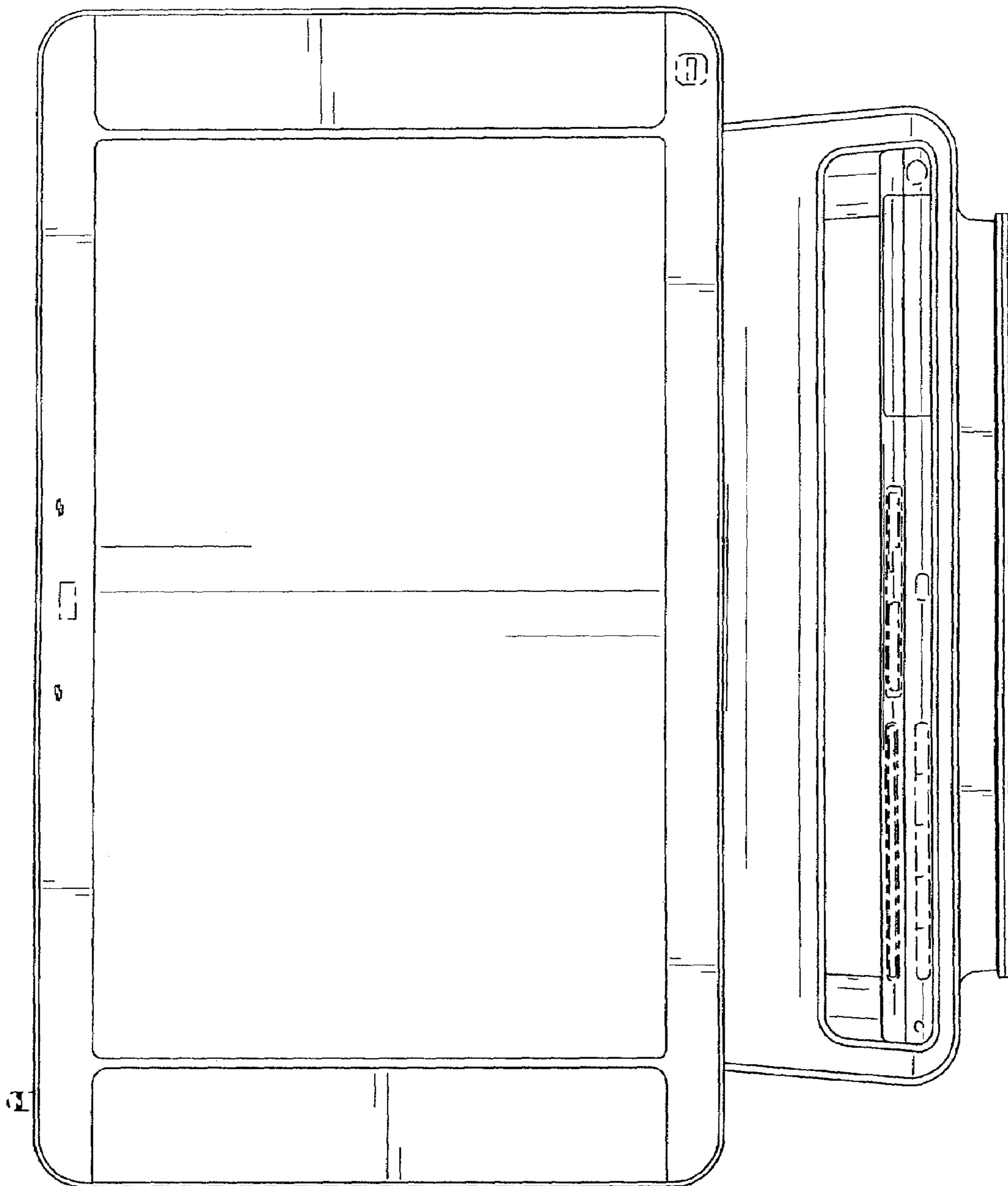


FIG. 2

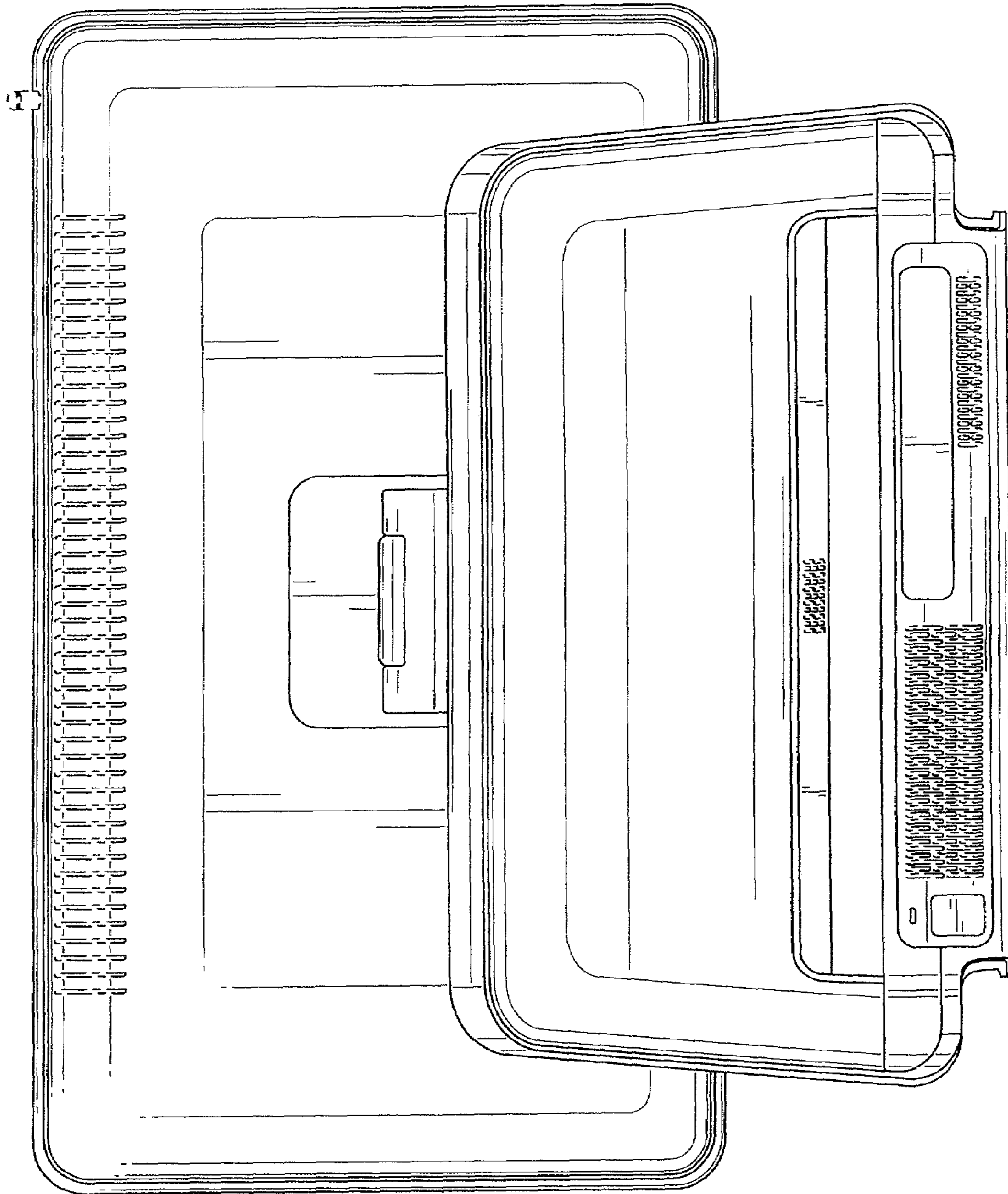


FIG. 3

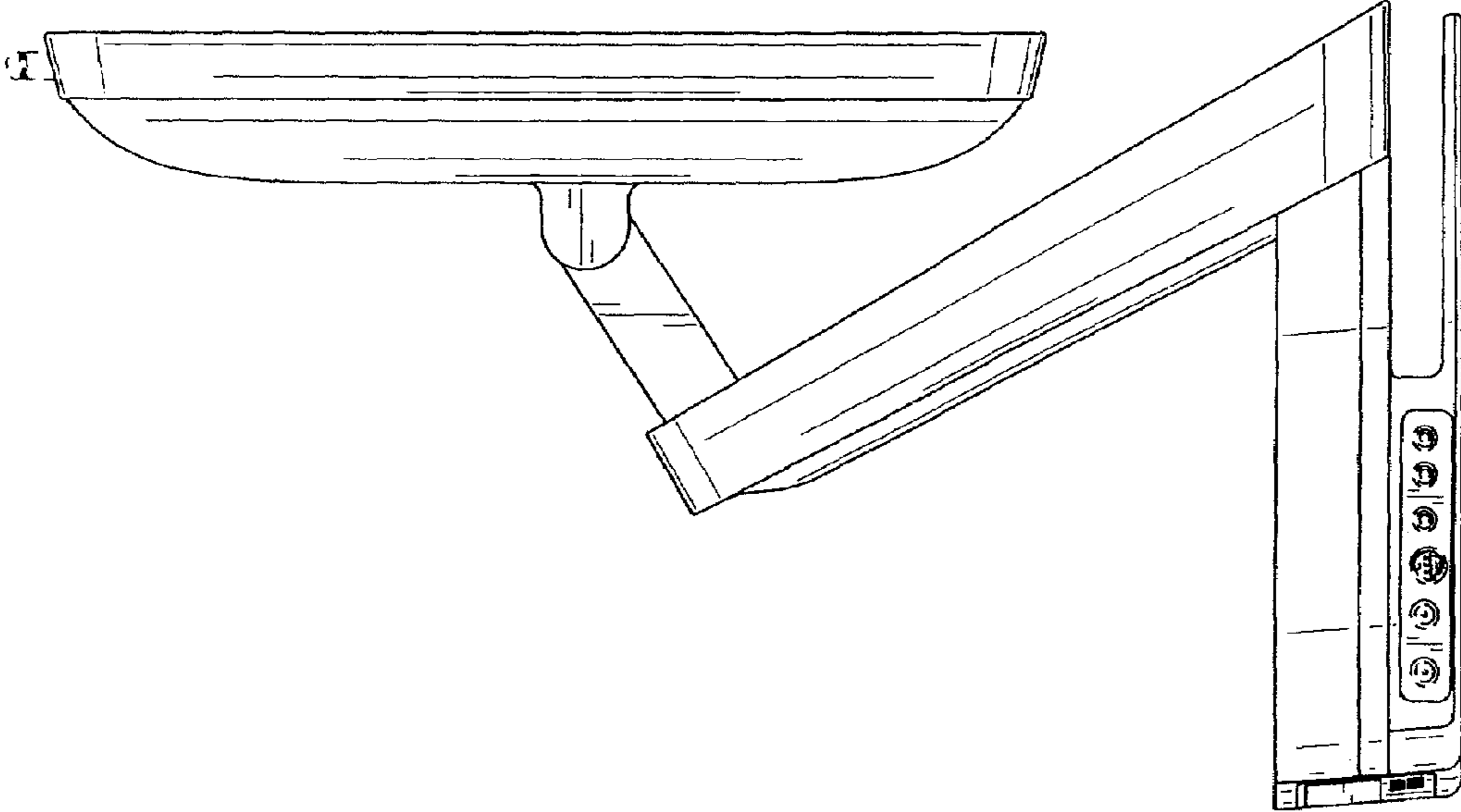


FIG. 4

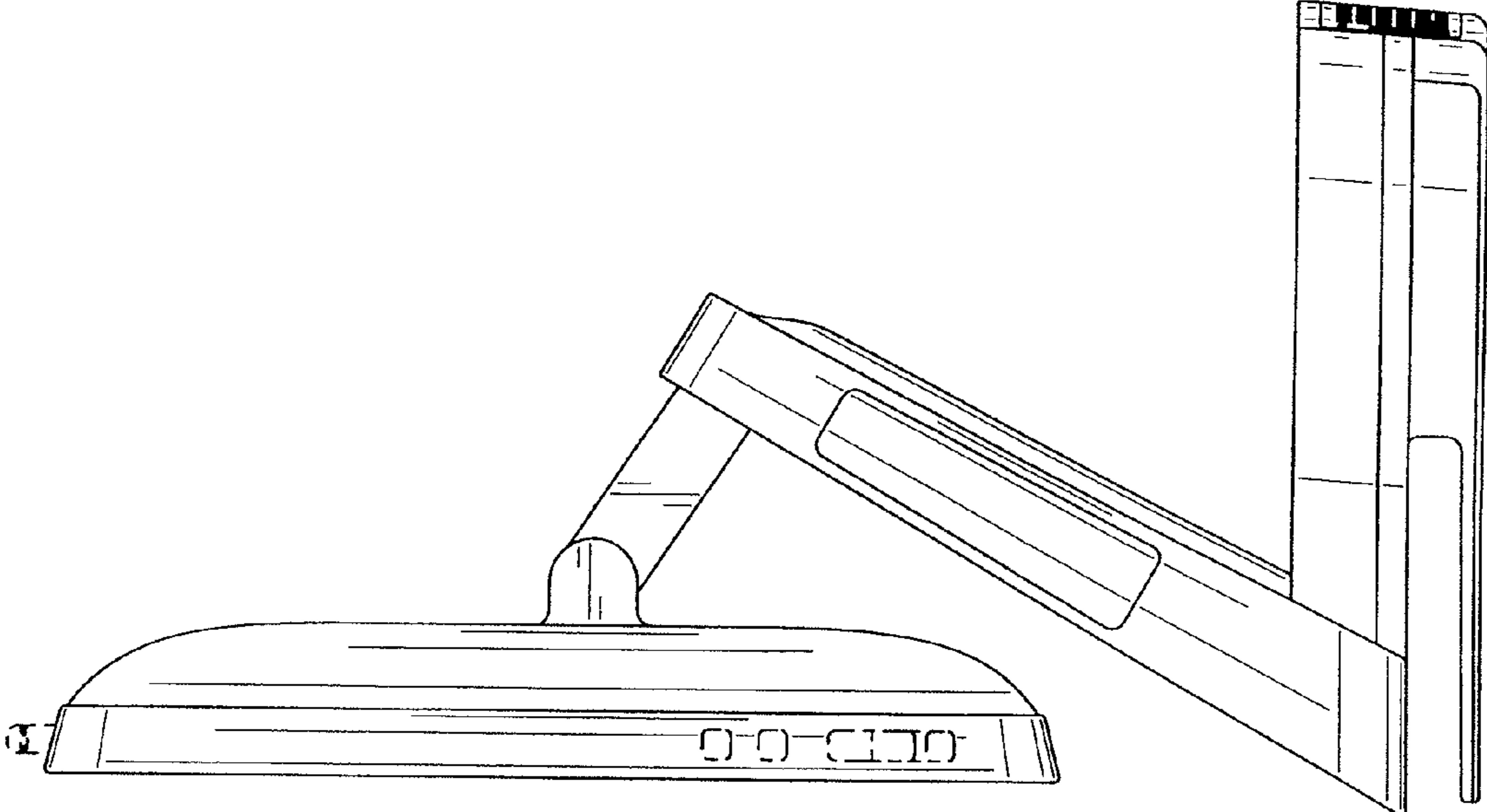


FIG. 5

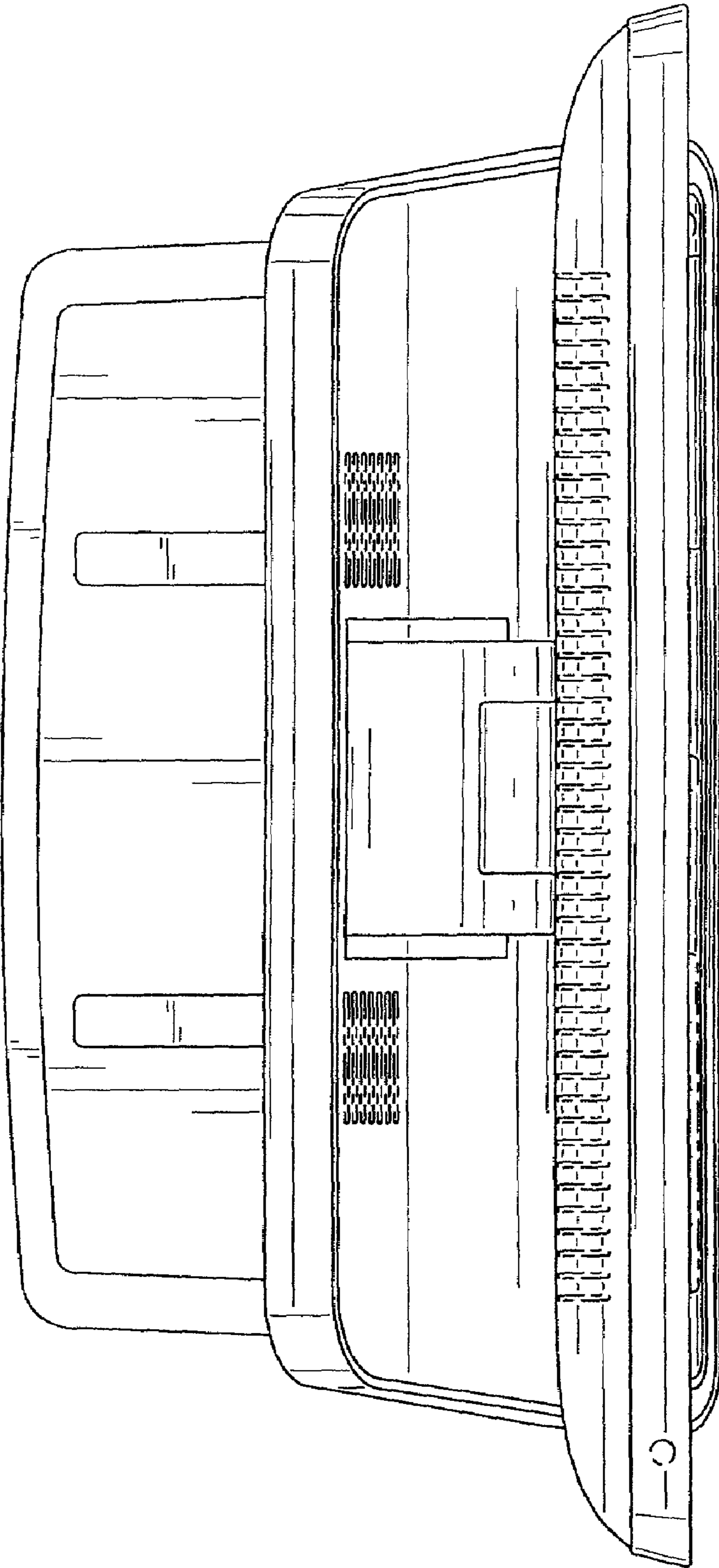


FIG. 6

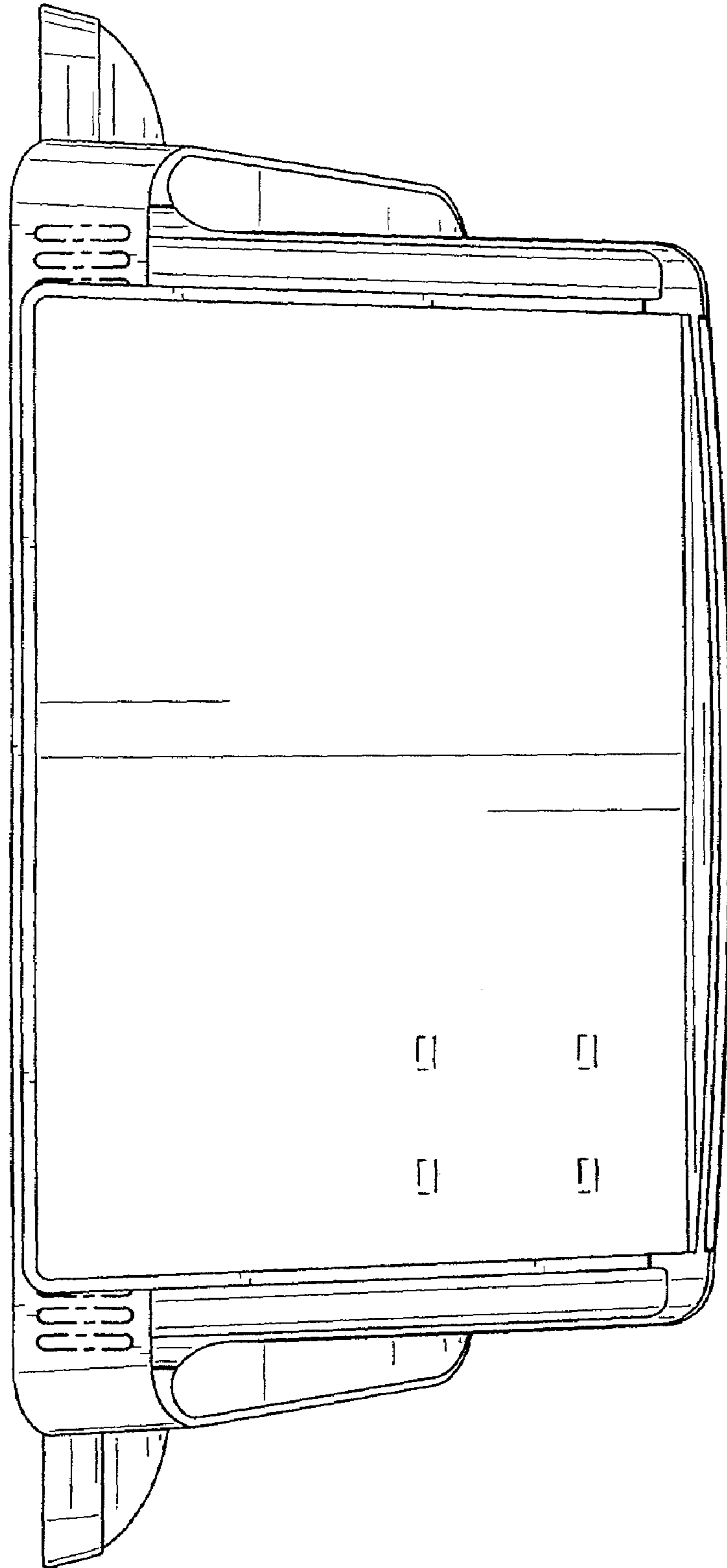


FIG. 7

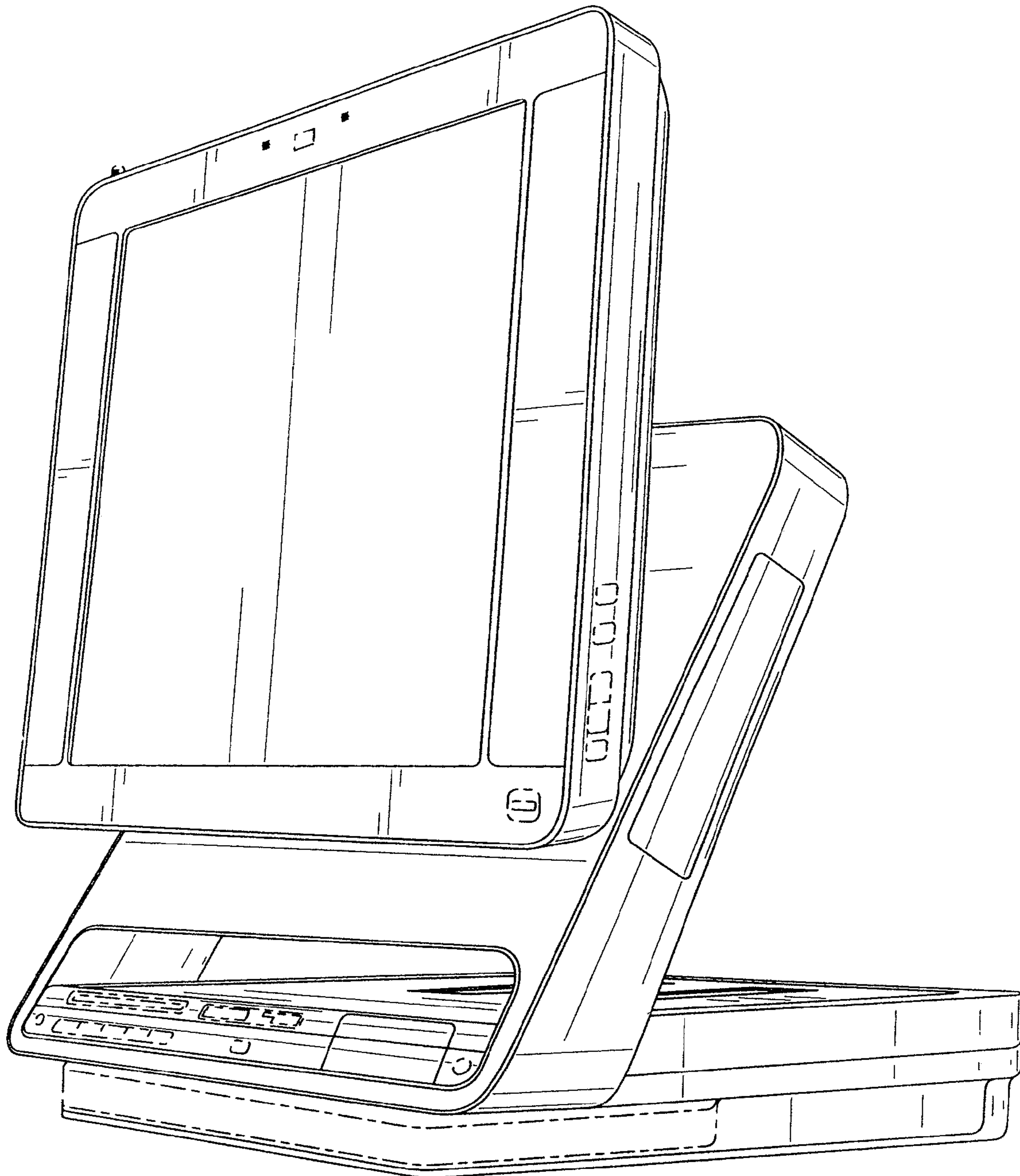


FIG. 8

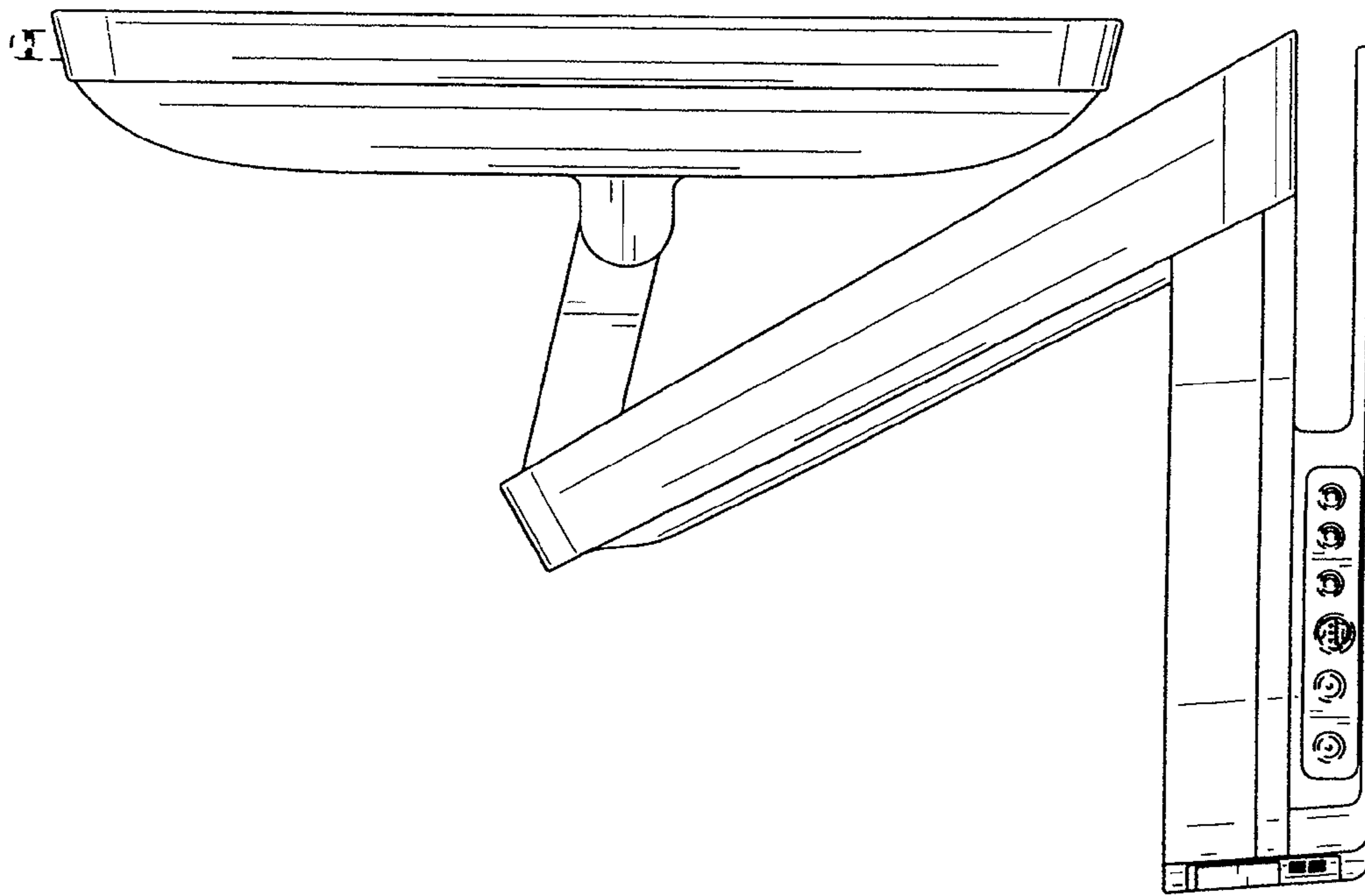


FIG. 9

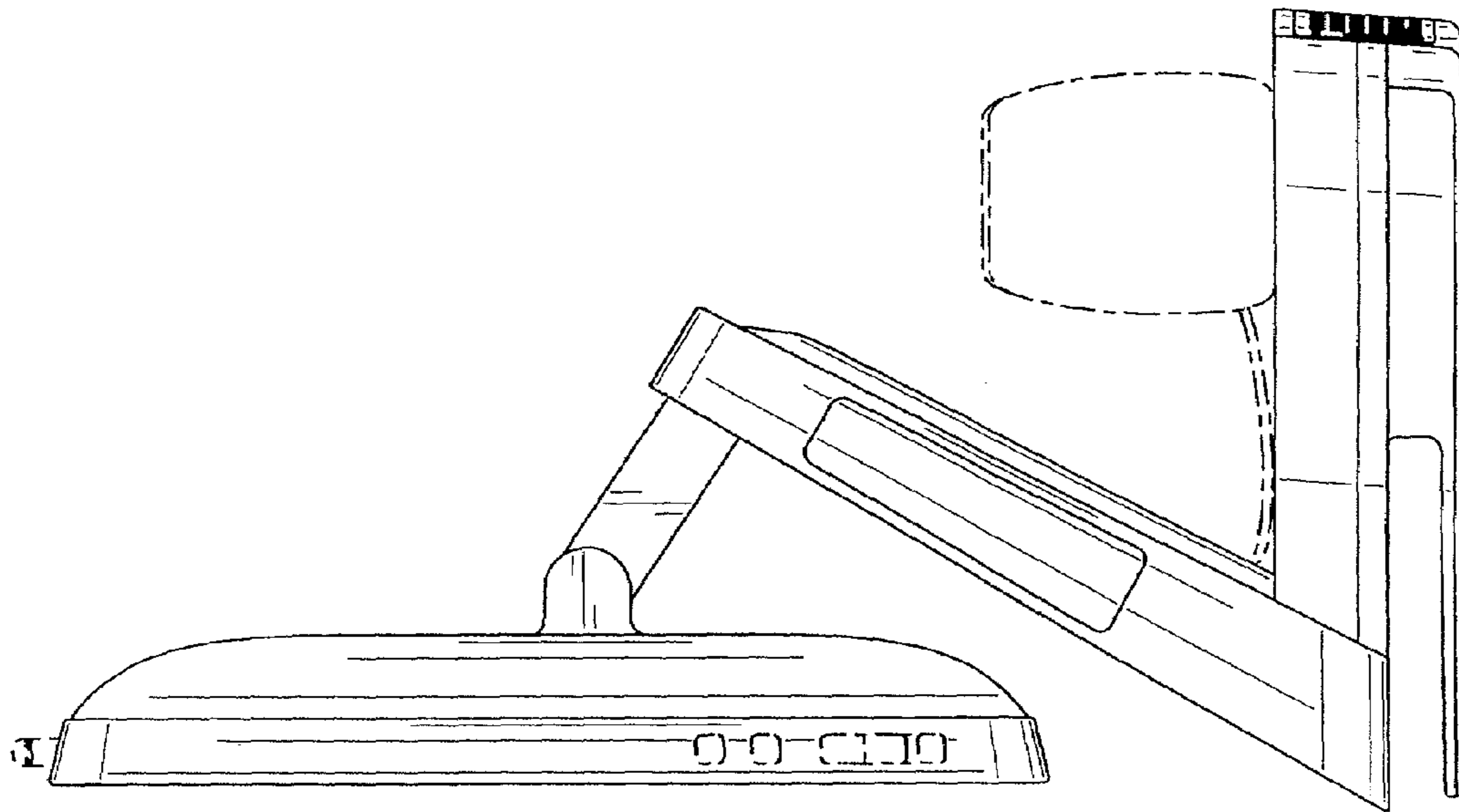


FIG. 10