

US00D570336S

(12) **United States Design Patent**  
**Suzuki**

(10) **Patent No.:** **US D570,336 S**

(45) **Date of Patent:** **\*\* Jun. 3, 2008**

(54) **FRAME FOR LOUDSPEAKER**

(75) Inventor: **Takashi Suzuki**, Kadoma (JP)

(73) Assignee: **Matsushita Electric Industrial Co., Ltd.**, Osaka (JP)

(\*\*) Term: **14 Years**

(21) Appl. No.: **29/265,133**

(22) Filed: **Aug. 25, 2006**

(30) **Foreign Application Priority Data**

Mar. 28, 2006 (JP) ..... 2006-007748

(51) **LOC (8) Cl.** ..... **14-01**

(52) **U.S. Cl.** ..... **D14/224**

(58) **Field of Classification Search** ..... D14/216,  
D14/219, 221, 224; 181/148, 168, 171-174;  
381/205, 403, 426, 433, 386, 396; 455/350  
See application file for complete search history.

(56) **References Cited**

**U.S. PATENT DOCUMENTS**

1,712,920	A *	5/1929	Kolster	.....	181/172
2,533,498	A *	12/1950	Munson	.....	455/350
2,638,509	A *	5/1953	Charlesworth	.....	381/386
D197,716	S *	3/1964	Boldt et al.	.....	D14/216
3,356,796	A *	12/1967	Wray	.....	381/433
D225,069	S *	11/1972	May	.....	D14/216
D239,538	S *	4/1976	Wagner	.....	D14/216
D270,533	S *	9/1983	Piercy	.....	D14/224
D318,671	S *	7/1991	Naumann	.....	D14/224

D320,020	S *	9/1991	Iwano	.....	D14/216
5,323,469	A *	6/1994	Scholz	.....	381/403
D451,909	S *	12/2001	Mackie et al.	.....	D14/224
D524,300	S *	7/2006	Amada et al.	.....	D14/221

**FOREIGN PATENT DOCUMENTS**

JP	D1127875	12/2001
JP	D1137164	3/2002
JP	D1137275	3/2002

\* cited by examiner

*Primary Examiner*—Paula A Greene

(74) *Attorney, Agent, or Firm*—Brinks Hofer Gilson & Lione

(57) **CLAIM**

I claim the ornamental design for a frame for loudspeaker, as shown and described.

**DESCRIPTION**

FIG. 1 is a perspective view of a frame for loudspeaker of the present invention;

FIG. 2 is a rear perspective view thereof;

FIG. 3 is a front view thereof;

FIG. 4 is a first side view thereof;

FIG. 5 is a second side view thereof;

FIG. 6 is a top view thereof;

FIG. 7 is a bottom view thereof; and,

FIG. 8 is a rear view thereof.

**1 Claim, 3 Drawing Sheets**

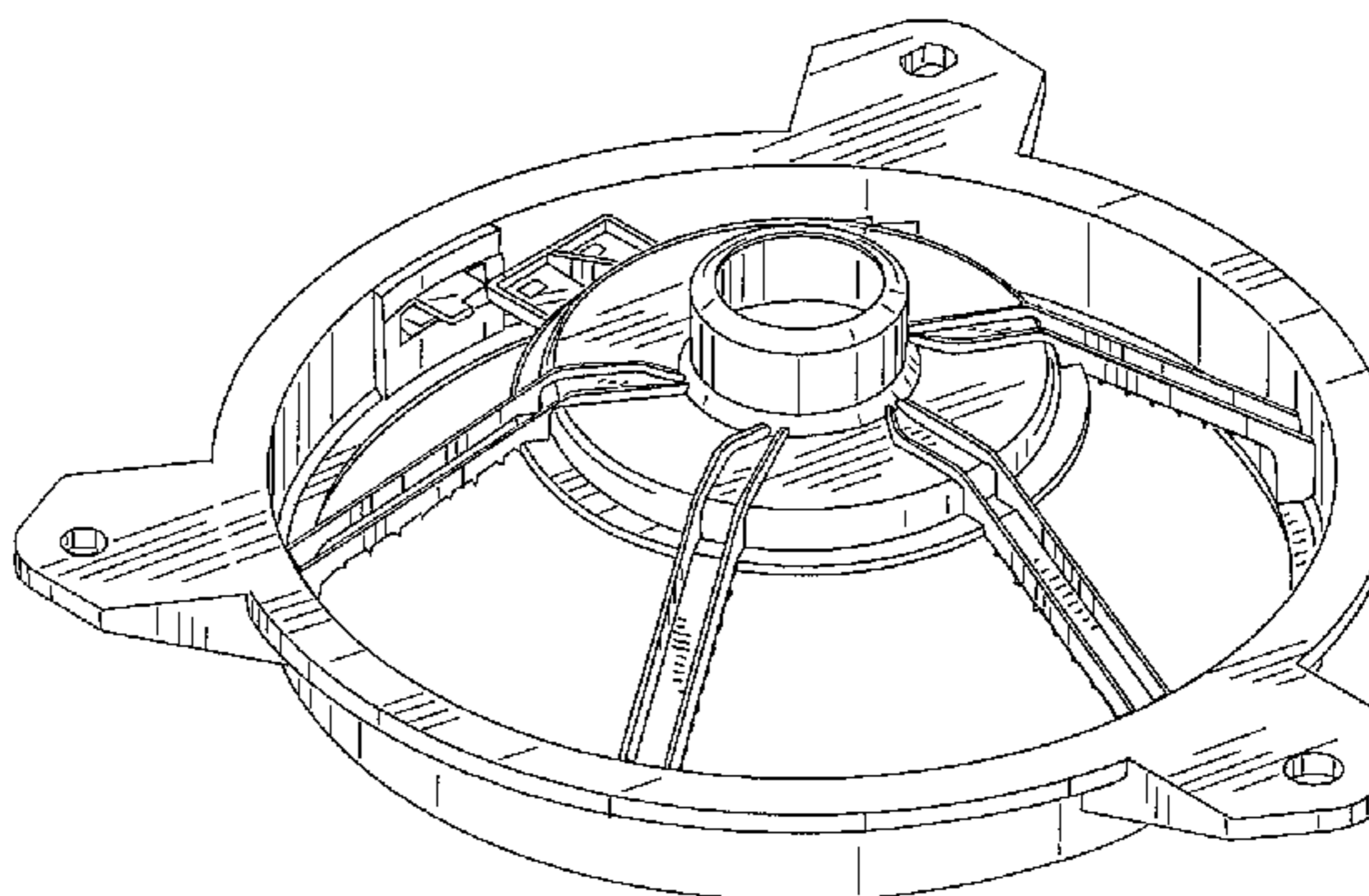
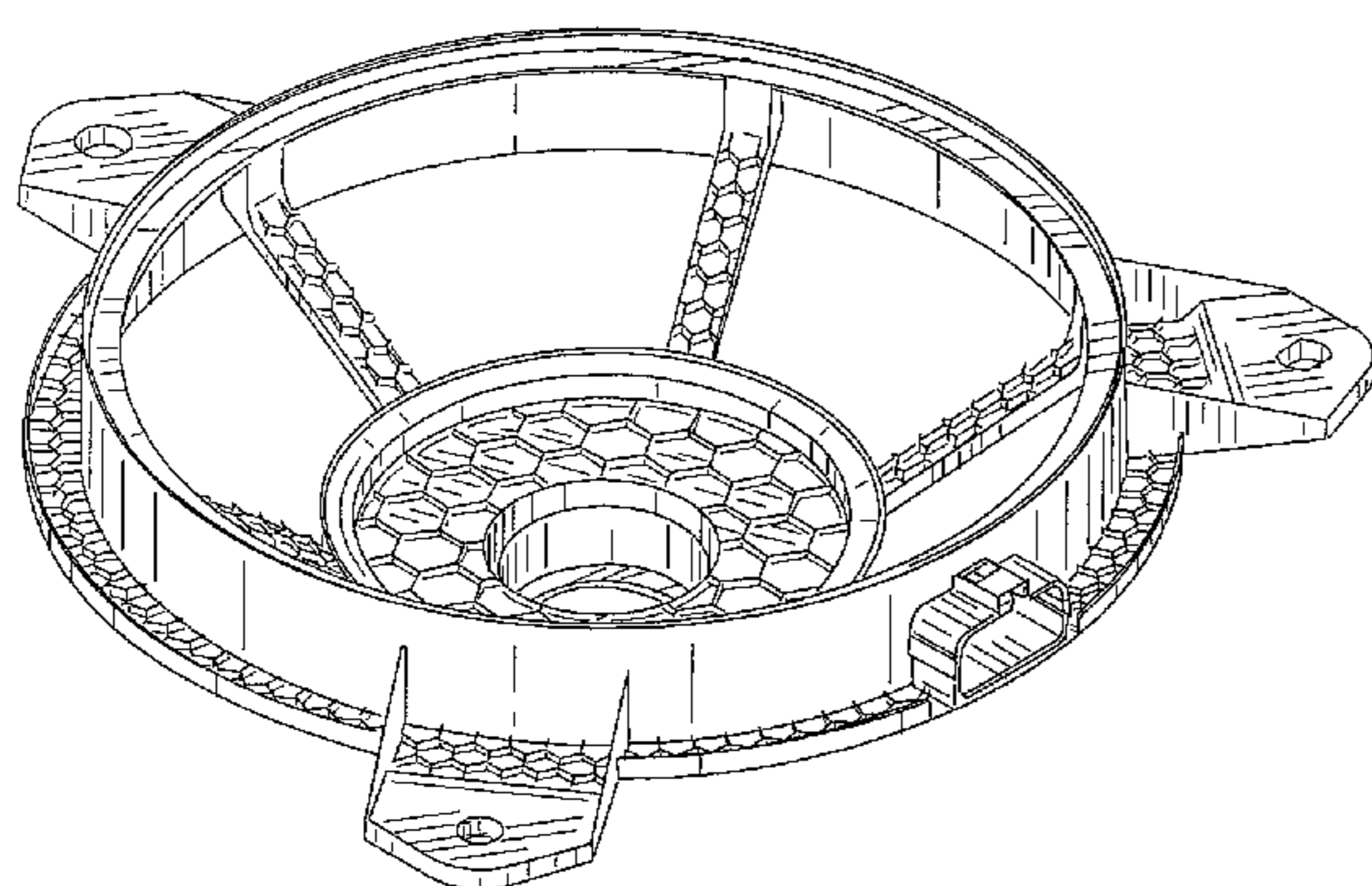


FIG.1

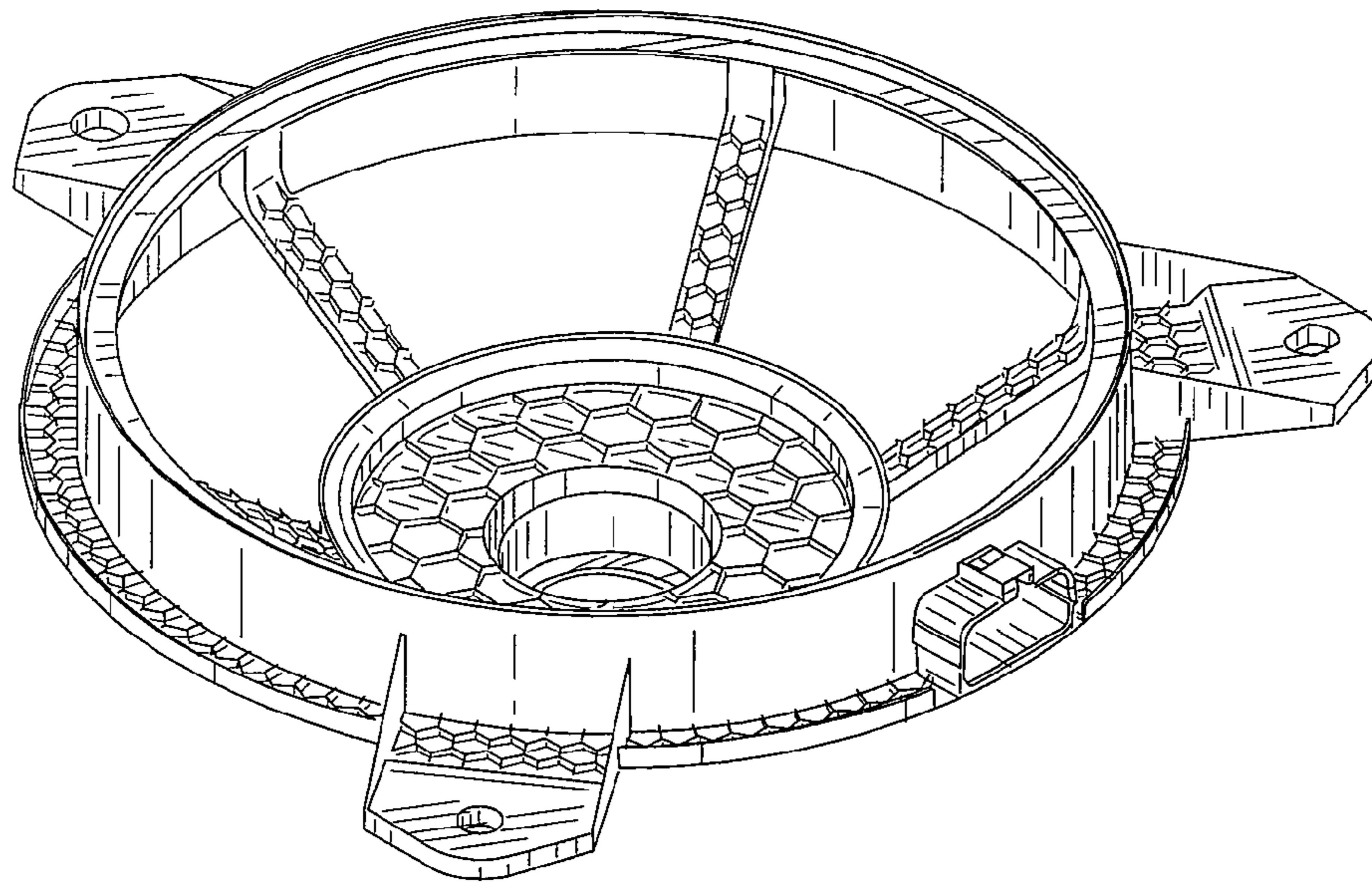


FIG.2

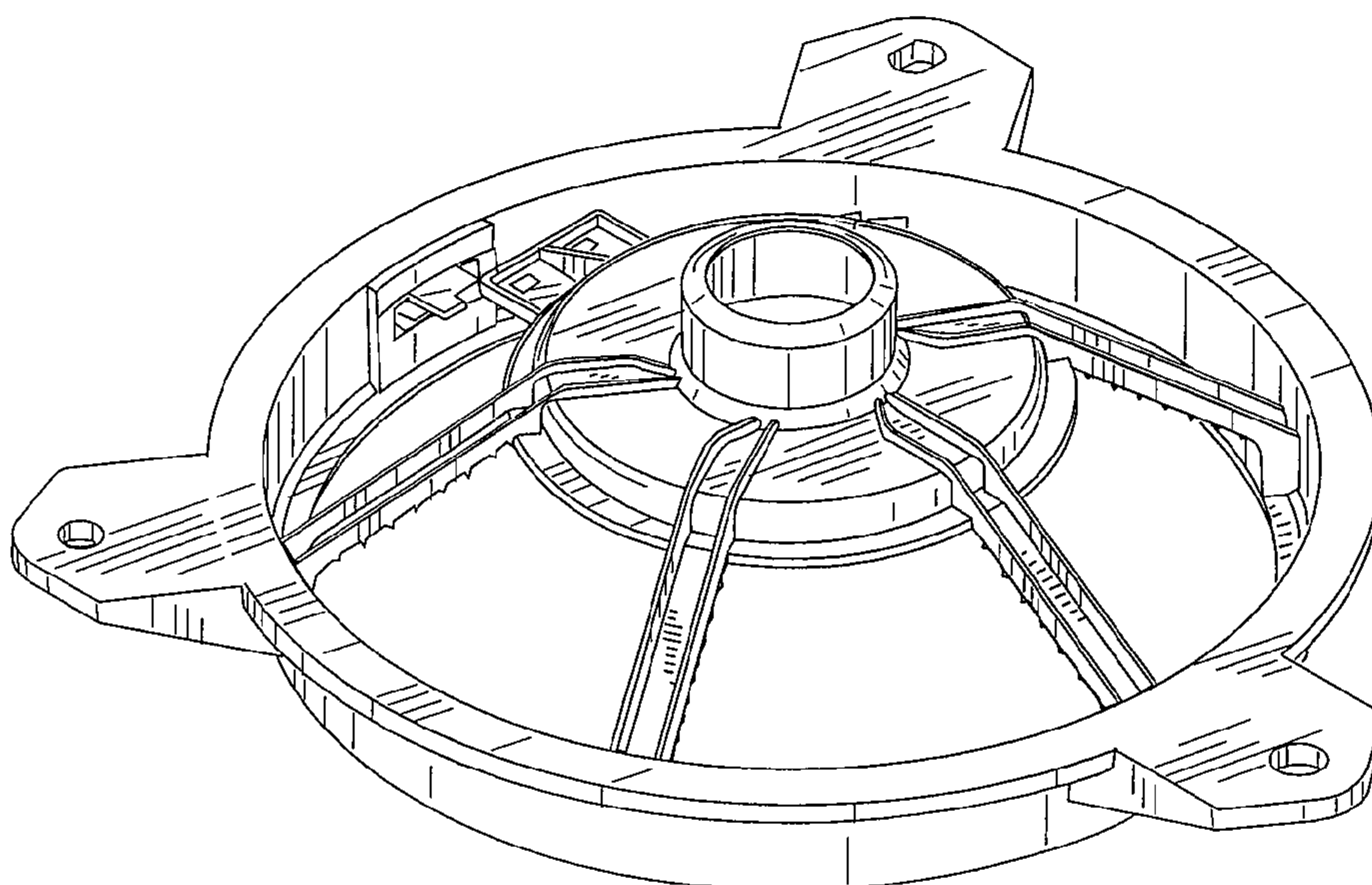


FIG.3

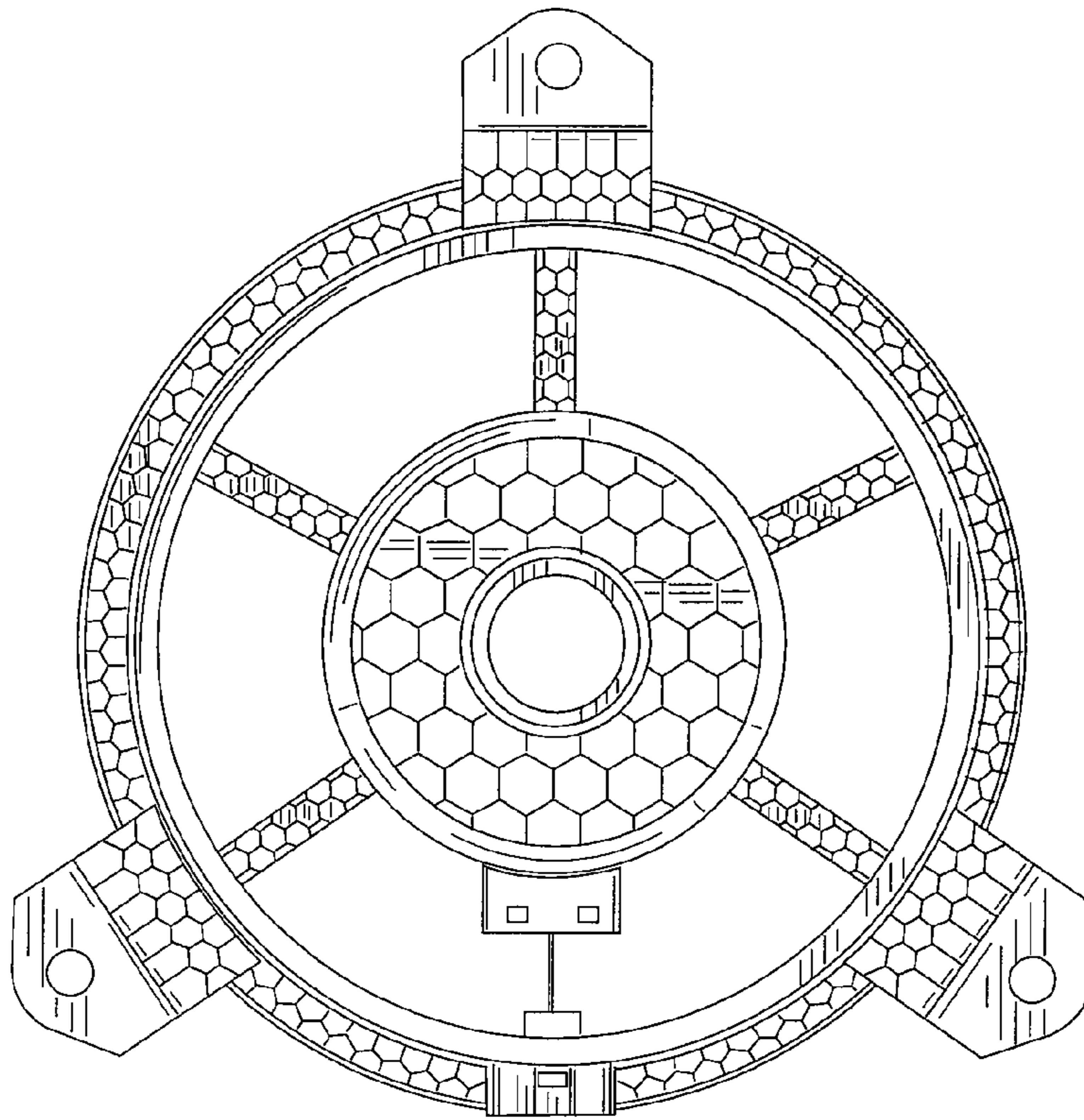


FIG.4

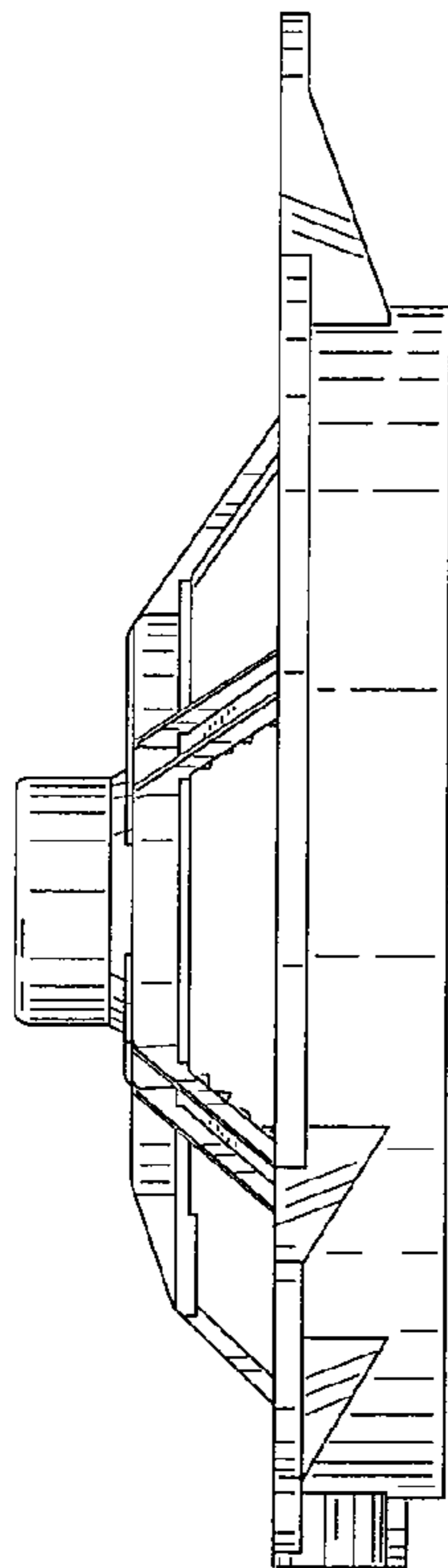


FIG.5

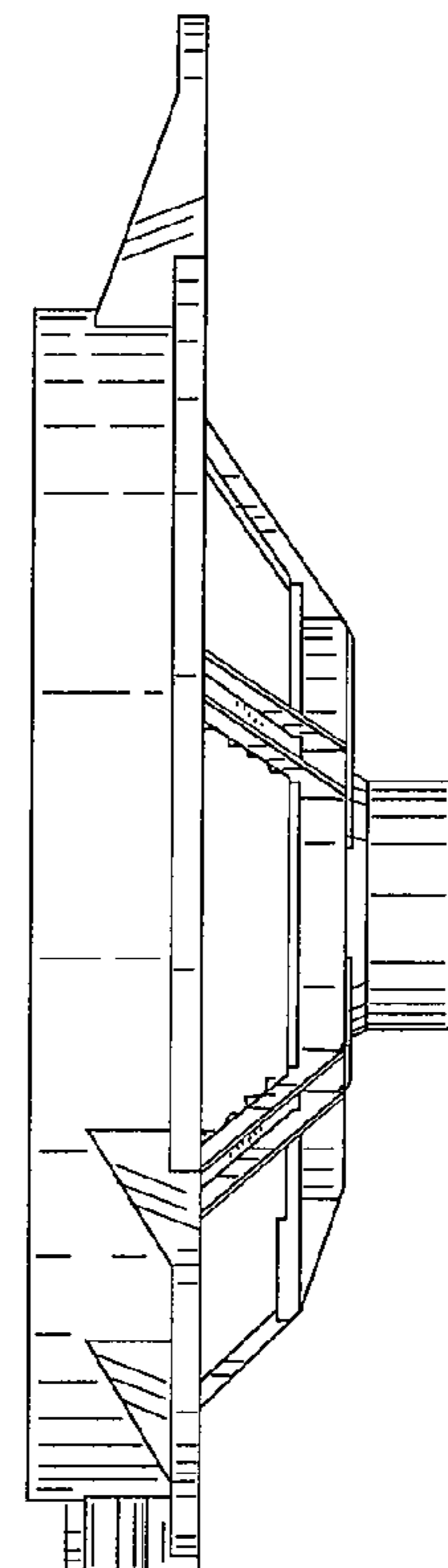




FIG.6

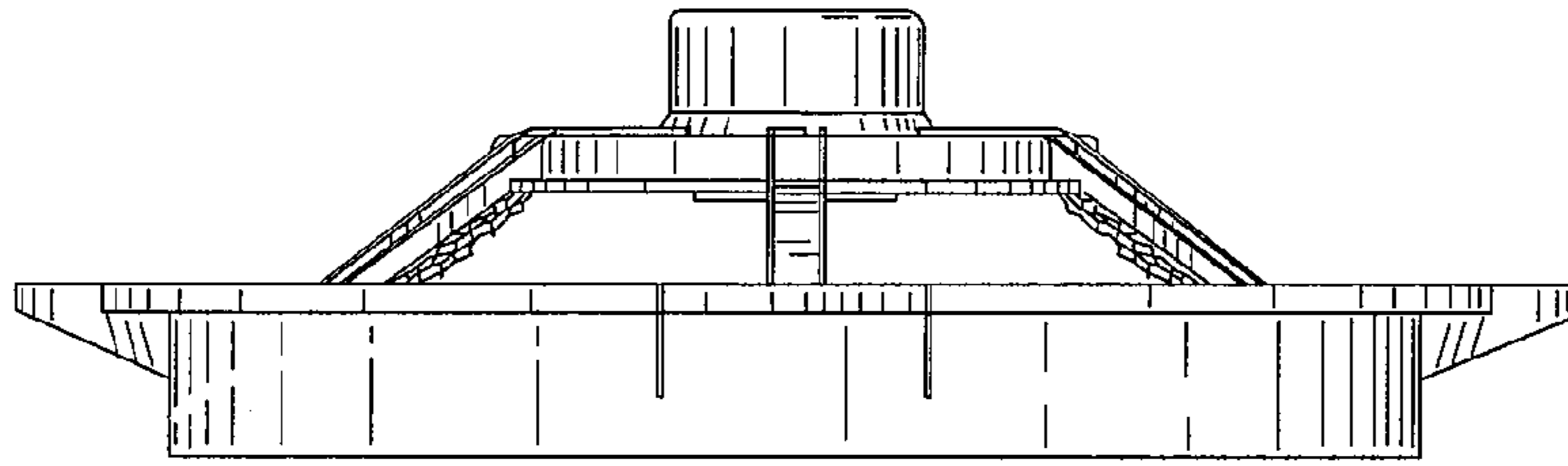


FIG.7

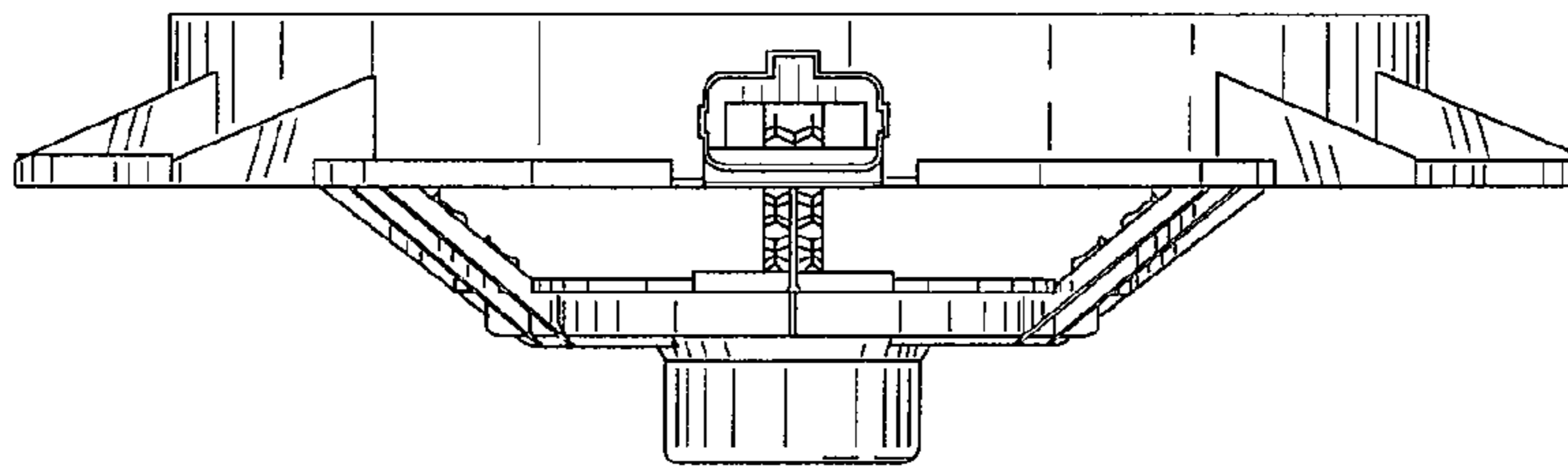


FIG.8

