

US00D570334S

(12) **United States Design Patent** (10) **Patent No.:** **US D570,334 S**  
**Sakata** (45) **Date of Patent:** **\*\* Jun. 3, 2008**

(54) **SPEAKER**

D526,312 S \* 8/2006 Kuribayashi et al. .... D14/221

(75) Inventor: **Yu Sakata**, Hachiouji (JP)

(73) Assignee: **KOA Corporation** (JP)

(\*\*) Term: **14 Years**

(21) Appl. No.: **29/285,063**

(22) Filed: **Mar. 20, 2007**

(30) **Foreign Application Priority Data**

Dec. 20, 2006 (JP) ..... 2006-035039

(51) **LOC (8) Cl.** ..... **14-01**

(52) **U.S. Cl.** ..... **D14/216**

(58) **Field of Classification Search** ..... D14/204,  
D14/209-216, 219-222; 181/143-144, 147-148,  
181/150, 157, 198-199, 151, 153; 381/300-302,  
381/306, 333, 345, 361-364, 386-388, 332,  
381/336

See application file for complete search history.

(56) **References Cited**

**U.S. PATENT DOCUMENTS**

- D280,818 S \* 10/1985 Clover, Jr. .... D14/215
- 4,811,406 A \* 3/1989 Kawachi ..... 381/186
- D302,818 S \* 8/1989 Camens ..... D14/219
- D317,768 S \* 6/1991 Davidson ..... D14/219
- D402,989 S \* 12/1998 Church et al. .... D14/216

**OTHER PUBLICATIONS**

Boston Acoustics, Inc., "Boston Acoustics—Mobile Audio—Products", [http://www.bostonacoustics.com/car/car\\_product.aspx?category\\_id=14&family\\_i...](http://www.bostonacoustics.com/car/car_product.aspx?category_id=14&family_i...), 1 pg., (2006).  
Boston Acoustics, Inc., "S L High Performance", 1 pg.  
Boston Acoustics, Inc., "Installation SL80", 2 pgs., (2003).

\* cited by examiner

*Primary Examiner*—Nanda Bondade

(74) *Attorney, Agent, or Firm*—Harness, Dickey & Pierce, P.L.C.

(57) **CLAIM**

The ornamental design for a speaker, as shown and described.

**DESCRIPTION**

FIG. 1 is a front view of a speaker embodying my new design;

FIG. 2 is a rear view thereof;

FIG. 3 is a left side view thereof;

FIG. 4 is a right side view thereof;

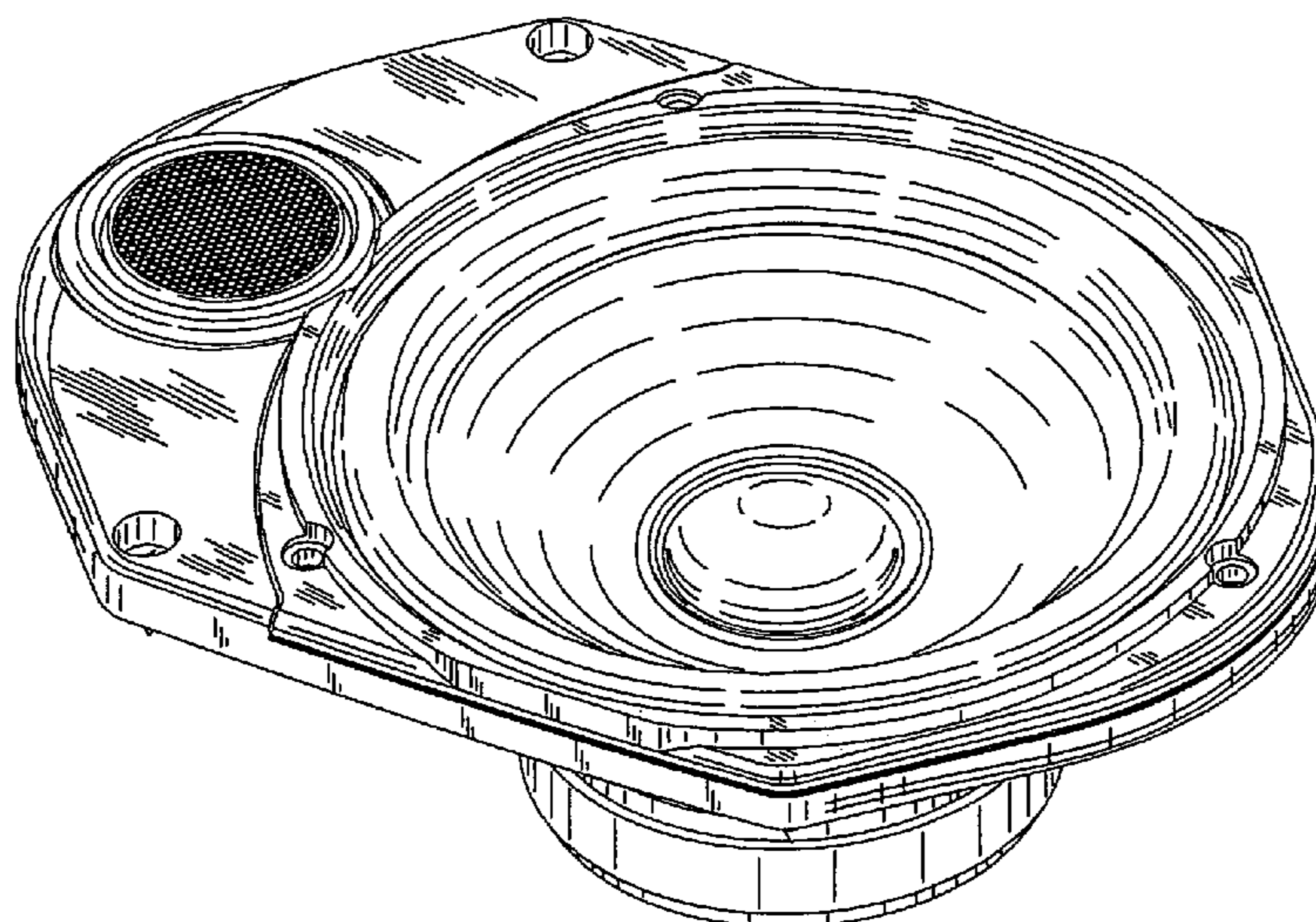
FIG. 5 is a top plan view thereof;

FIG. 6 is a bottom view thereof; and,

FIG. 7 is a perspective view thereof.

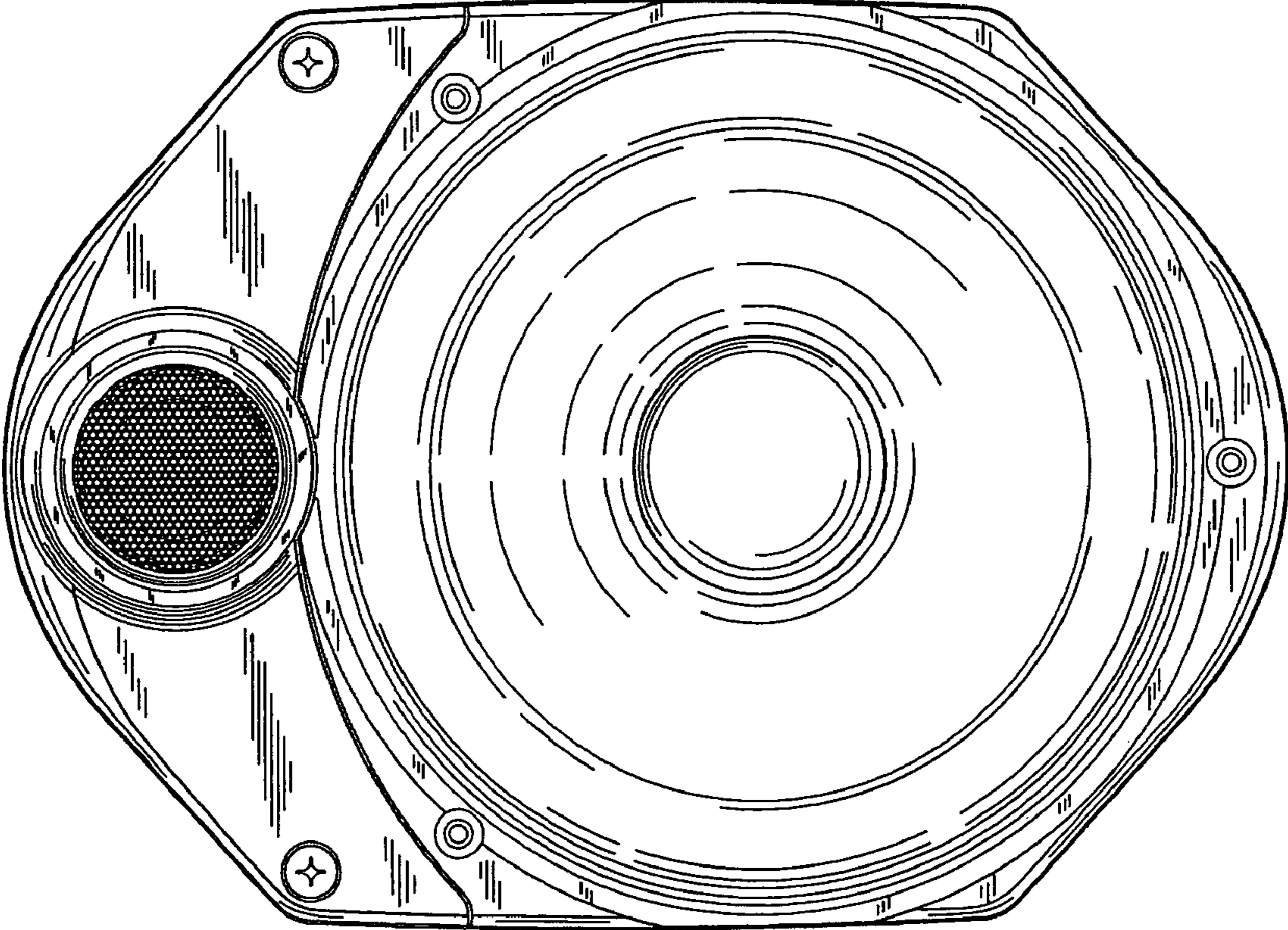
**1 Claim, 7 Drawing Sheets**

**PERSPECTIVE VIEW**



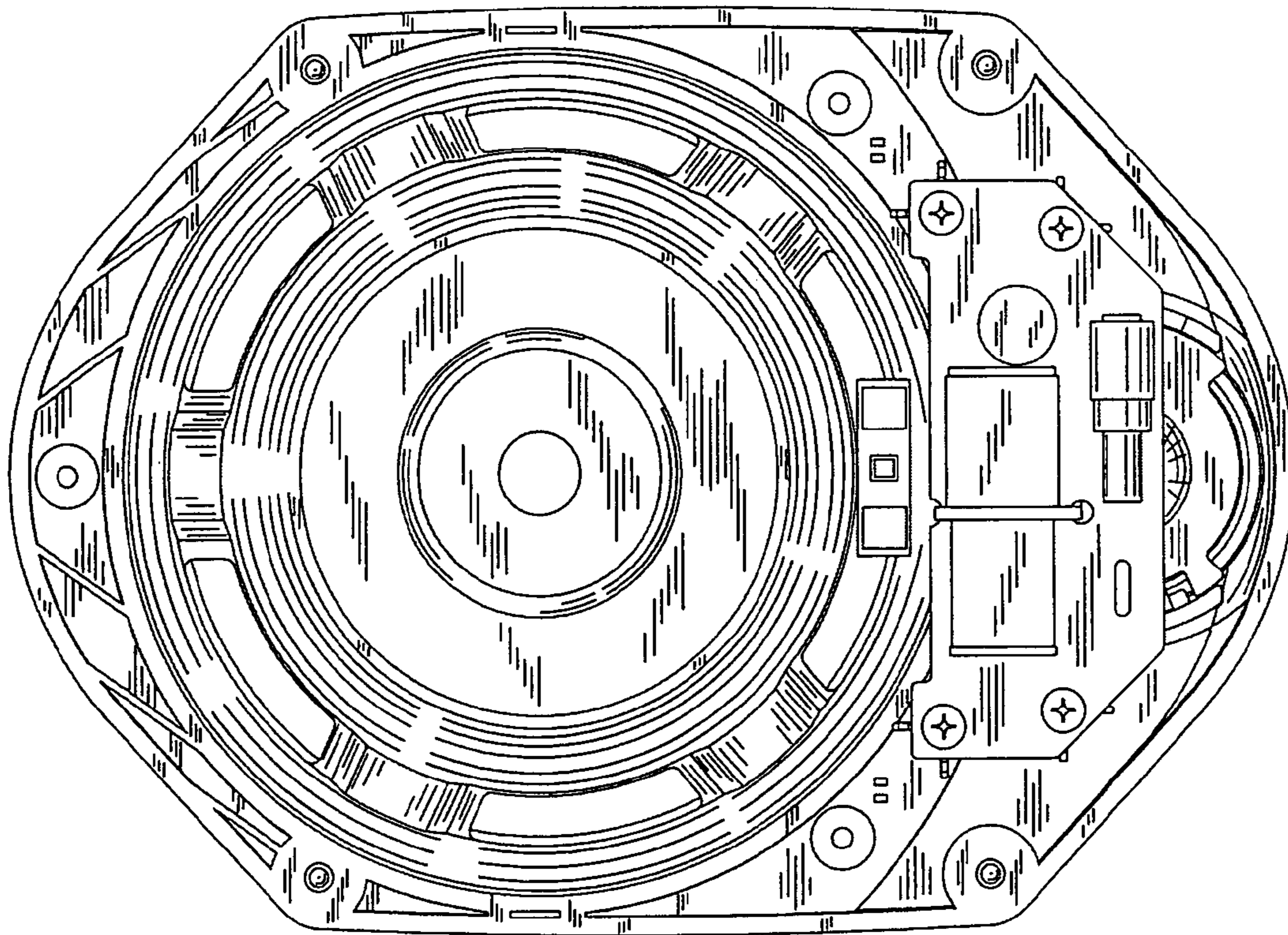
**FIG. 1**

FRONT VIEW



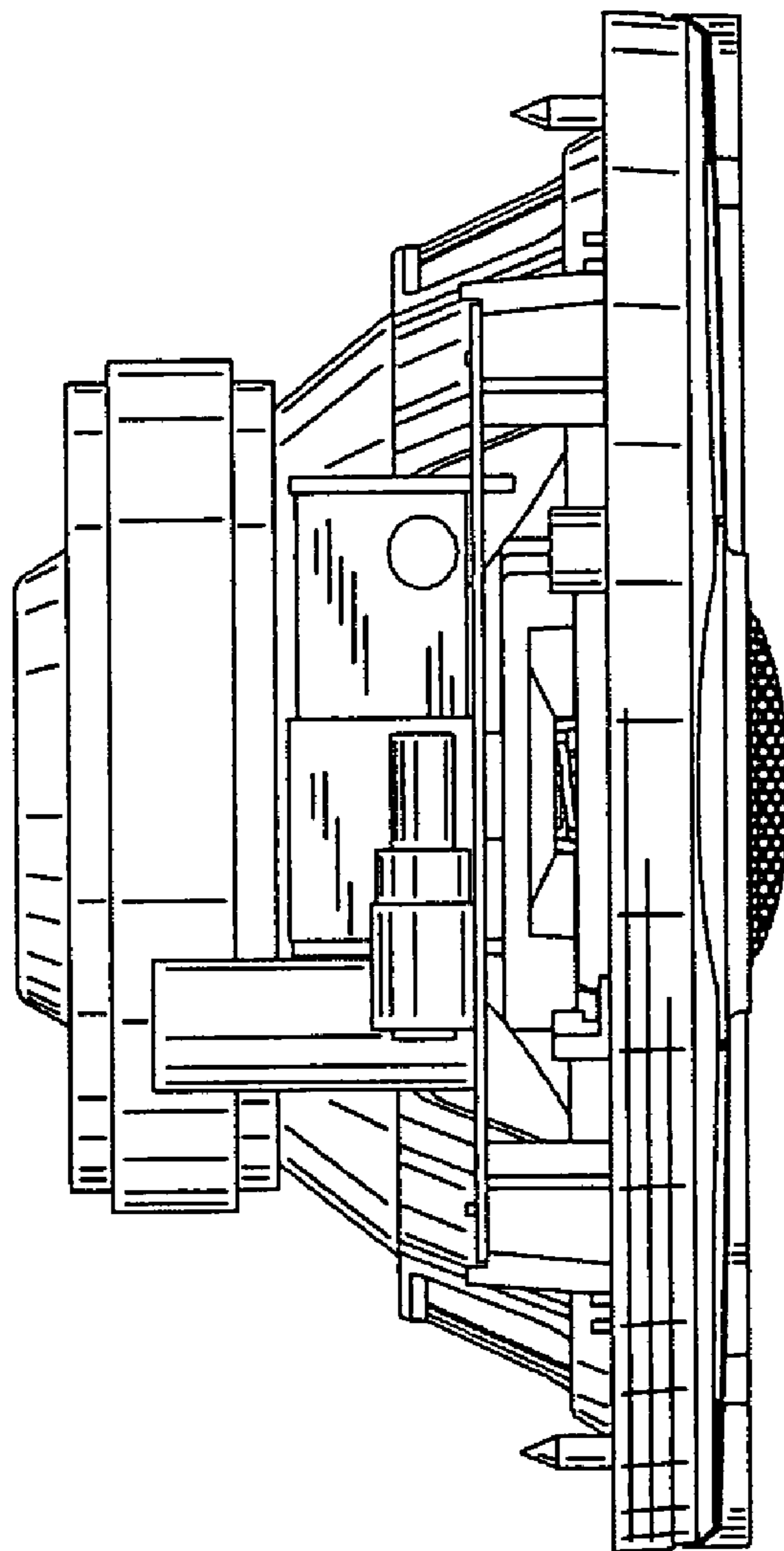
**FIG. 2**

REAR VIEW



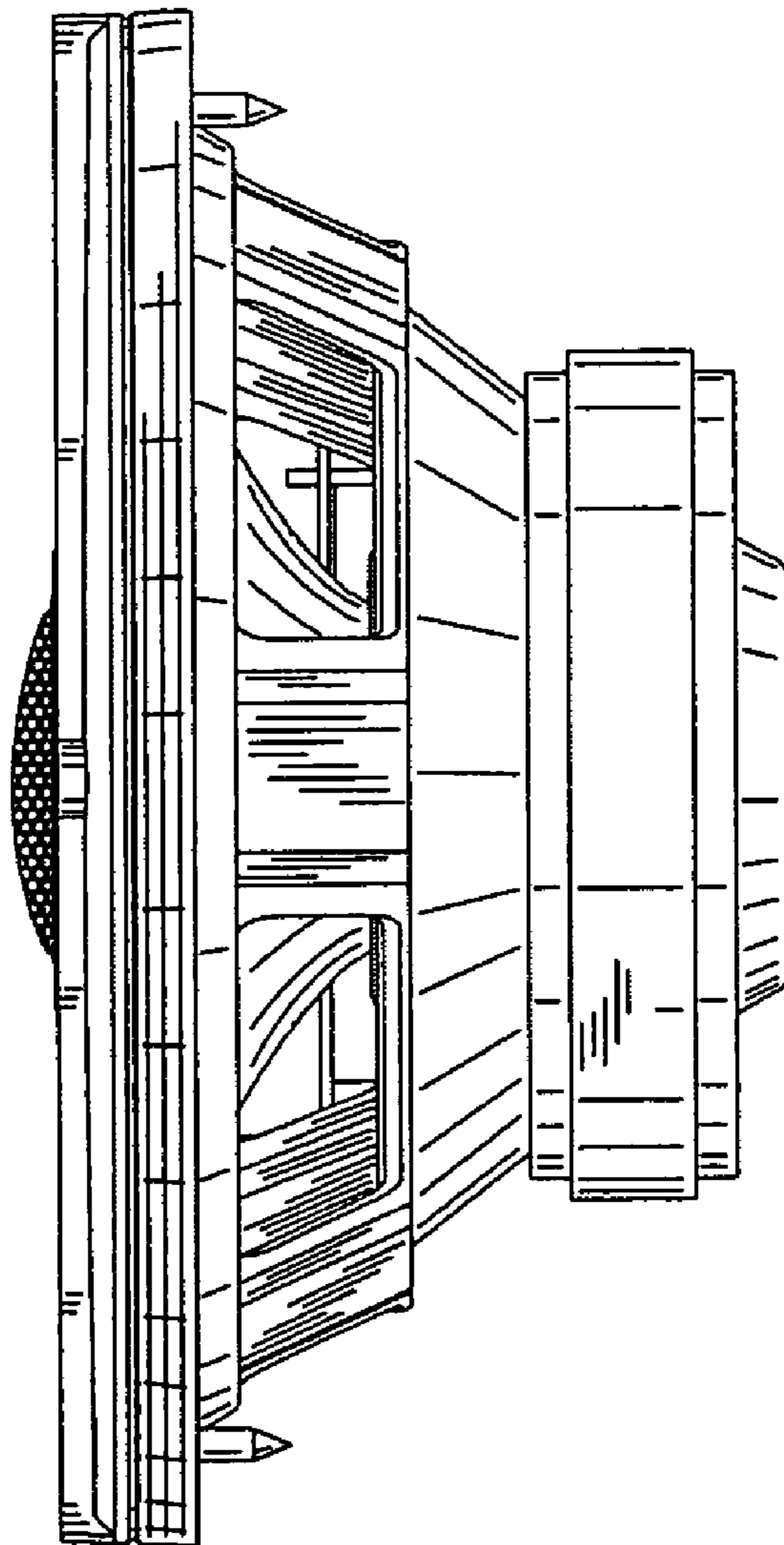
***FIG. 3***

LEFT SIDE VIEW



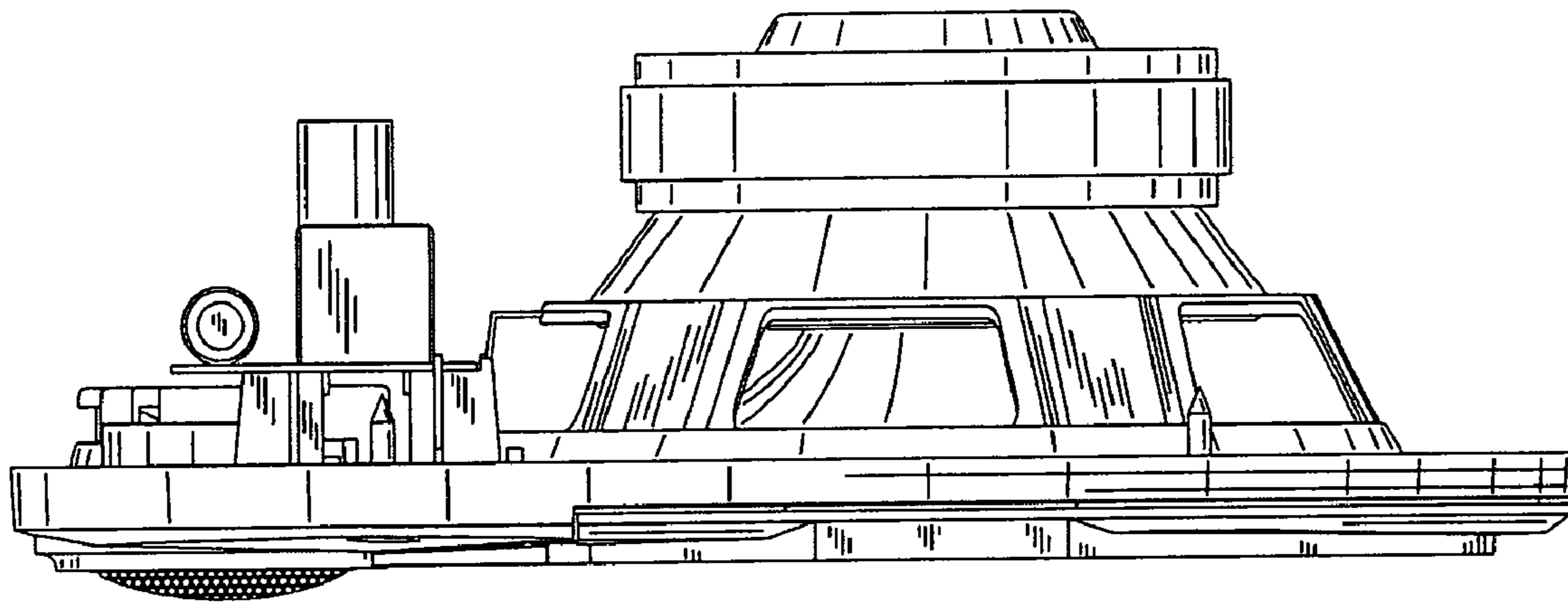
***FIG. 4***

**RIGHT SIDE VIEW**



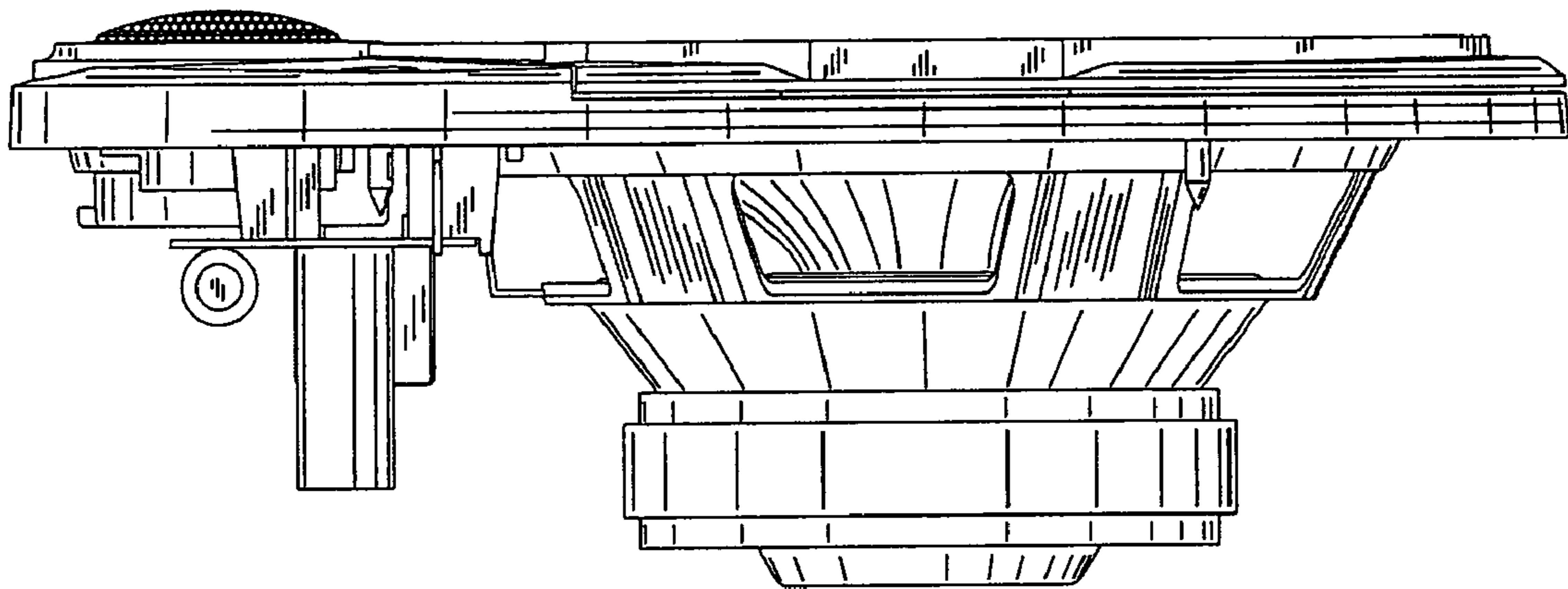
***FIG. 5***

TOP PLAN VIEW



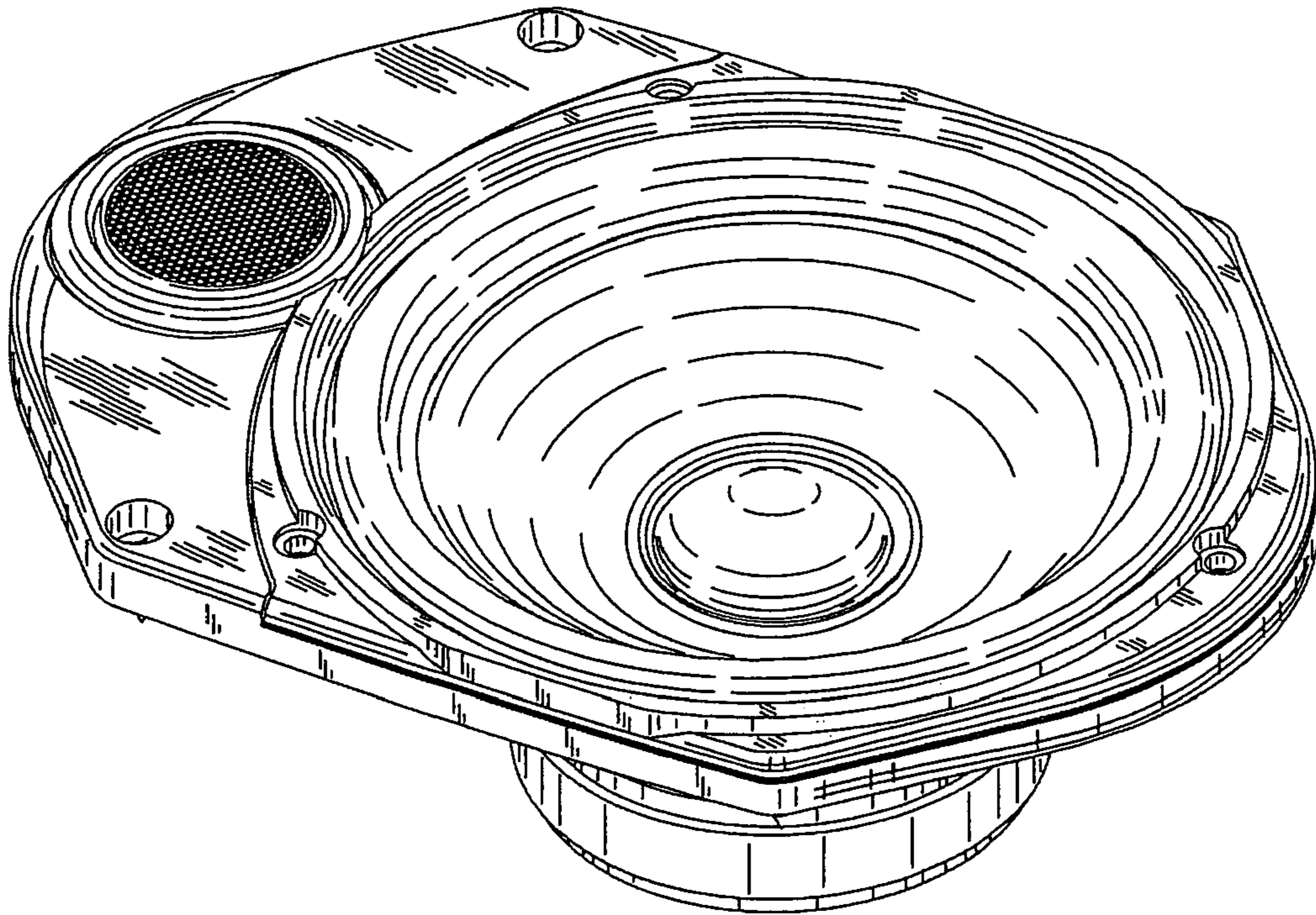
***FIG. 6***

**BOTTOM VIEW**



**FIG. 7**

PERSPECTIVE VIEW





UNITED STATES PATENT AND TRADEMARK OFFICE  
**CERTIFICATE OF CORRECTION**

PATENT NO. : Des. 570,334 S  
APPLICATION NO. : 29/285063  
DATED : June 3, 2008  
INVENTOR(S) : Yu Sakata

Page 1 of 1

It is certified that error appears in the above-identified patent and that said Letters Patent is hereby corrected as shown below:

Title Page.

Item [73], Assignee:, "KOA Corporation (JP)" should be --Kabushiki Kaisha Kenwood (JP)--

Signed and Sealed this

Twenty-eighth Day of October, 2008

A handwritten signature in black ink that reads "Jon W. Dudas". The signature is written in a cursive style with a large, looped initial "J".

JON W. DUDAS

*Director of the United States Patent and Trademark Office*