

US00D570330S

(12) **United States Design Patent**
Tejima

(10) **Patent No.: US D570,330 S**

(45) **Date of Patent: ** *Jun. 3, 2008**

(54) **AMPLIFIER**

(75) Inventor: **Keisuke Tejima**, Tokyo (JP)

(73) Assignee: **Sony Corporation**, Tokyo (JP)

(*) Notice: This patent is subject to a terminal disclaimer.

(**) Term: **14 Years**

(21) Appl. No.: **29/270,564**

(22) Filed: **Dec. 28, 2006**

(30) **Foreign Application Priority Data**

Sep. 8, 2006 (JP) D2006-024056

(51) **LOC (8) Cl.** **14-03**

(52) **U.S. Cl.** **D14/188**

(58) **Field of Classification Search** D14/135-136,
D14/156-157, 167-168, 198, 188, 217, 257,
D14/258, 445; 360/99.02, 99.07; 369/75.11,
369/75.21, 77.21, 77.11; 720/612, 619, 647,
720/655; 455/344, 347-351
See application file for complete search history.

(56) **References Cited**

U.S. PATENT DOCUMENTS

D430,132 S	8/2000	Yamazaki	
D438,193 S	2/2001	Hakoda	
D444,138 S *	6/2001	Ito et al.	D14/188
D466,876 S *	12/2002	Usami et al.	D14/136
D475,357 S	6/2003	Tejima	
D479,519 S *	9/2003	Hisatsune	D14/168
D479,713 S	9/2003	Sadatsuki	

D483,728 S *	12/2003	Kim	D14/136
D484,473 S *	12/2003	Johansson et al.	D14/136
D494,150 S *	8/2004	Wu	D14/136
D502,696 S	3/2005	Ishibashi	
D506,984 S	7/2005	Oikawa	
D509,811 S *	9/2005	Usami et al.	D14/136
D518,020 S	3/2006	Ishibashi	
D530,689 S *	10/2006	Ishibashi	D14/136

FOREIGN PATENT DOCUMENTS

JP	D1147085 S	7/2002
JP	D1146807 S	6/2005
JP	D1147083 S	6/2005
JP	D1147084 S	6/2005

* cited by examiner

Primary Examiner—Nanda Bondade

(74) *Attorney, Agent, or Firm*—Rader, Fishman & Grauer, PLLC

(57) **CLAIM**

The ornamental design for an amplifier, as shown.

DESCRIPTION

FIG. 1 is a perspective view of an amplifier showing my new design;

FIG. 2 is a front elevational view thereof;

FIG. 3 is a rear elevational view thereof;

FIG. 4 is a left side elevational view thereof;

FIG. 5 is a right side elevational view thereof;

FIG. 6 is a top plan view thereof; and,

FIG. 7 is a bottom plan view thereof.

1 Claim, 7 Drawing Sheets

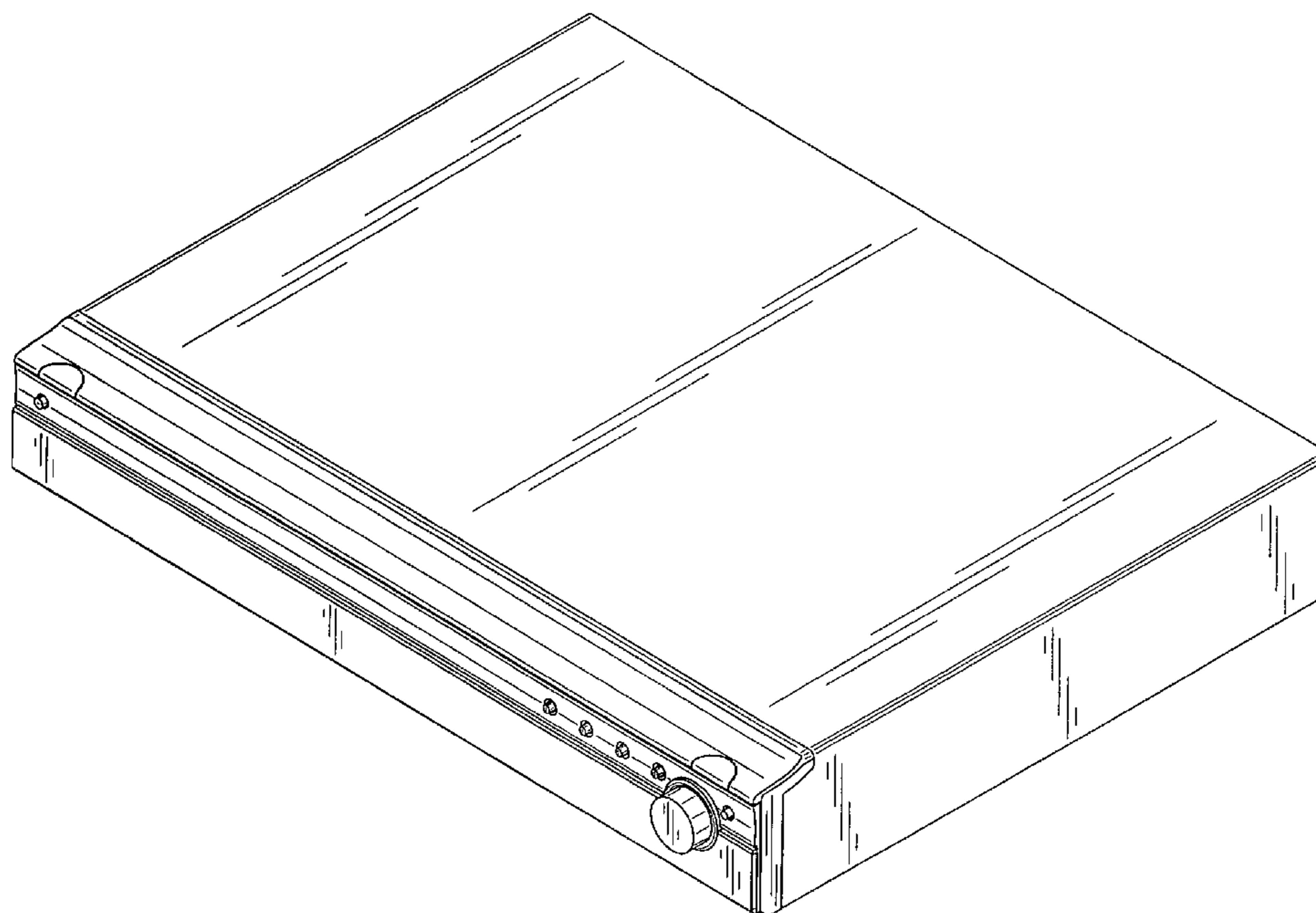


Fig. 1

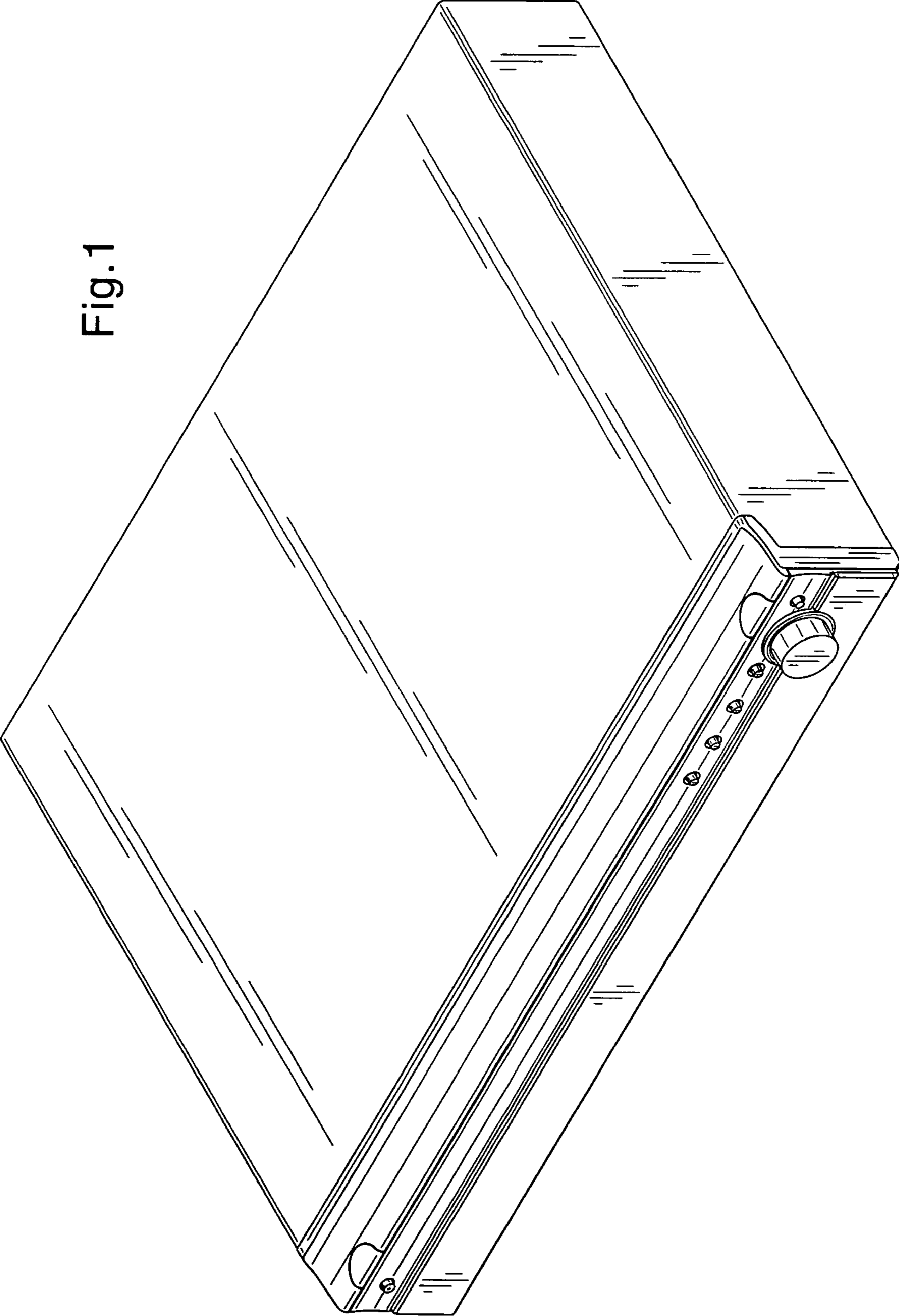


Fig.2

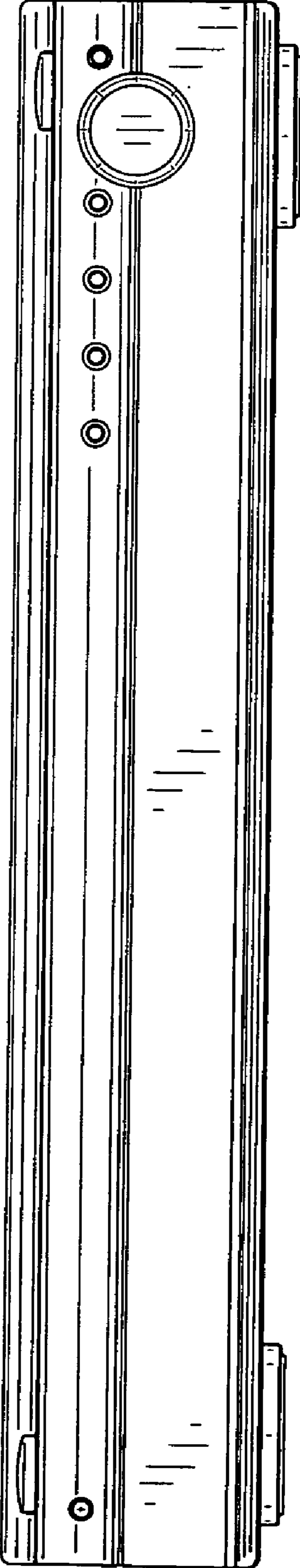


Fig. 3

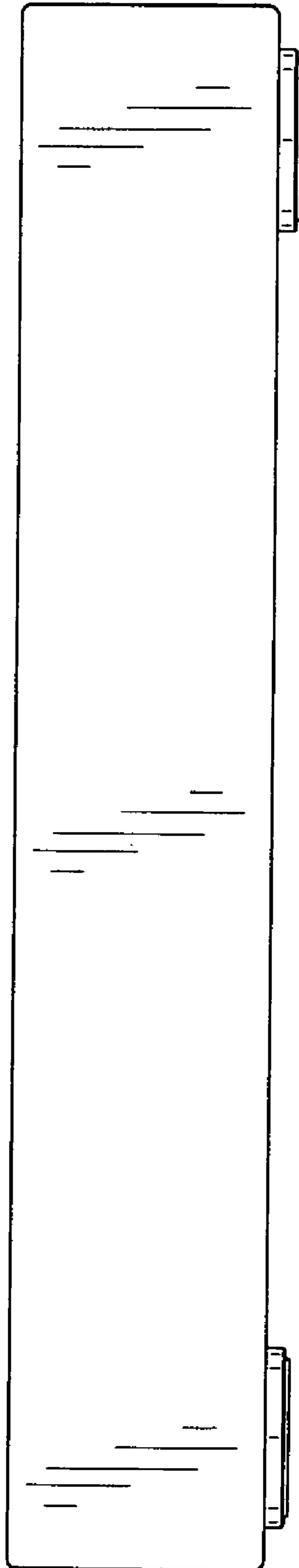


Fig.4

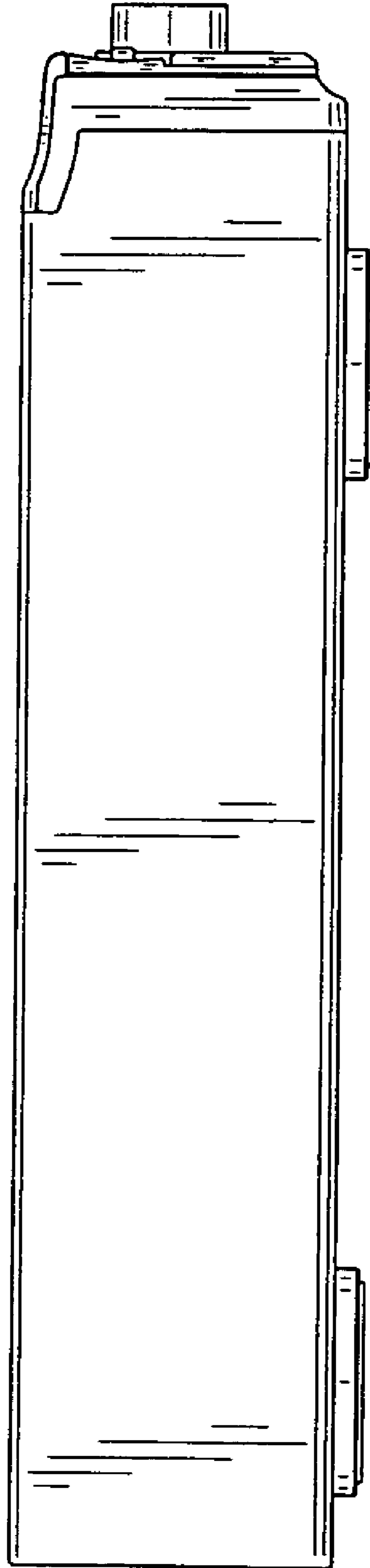


Fig. 5

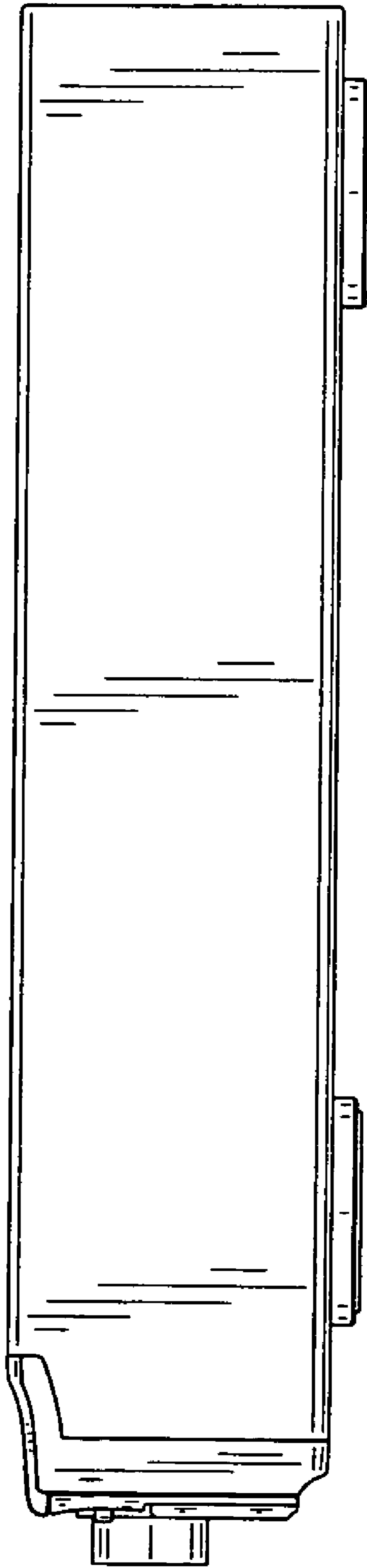


Fig.6

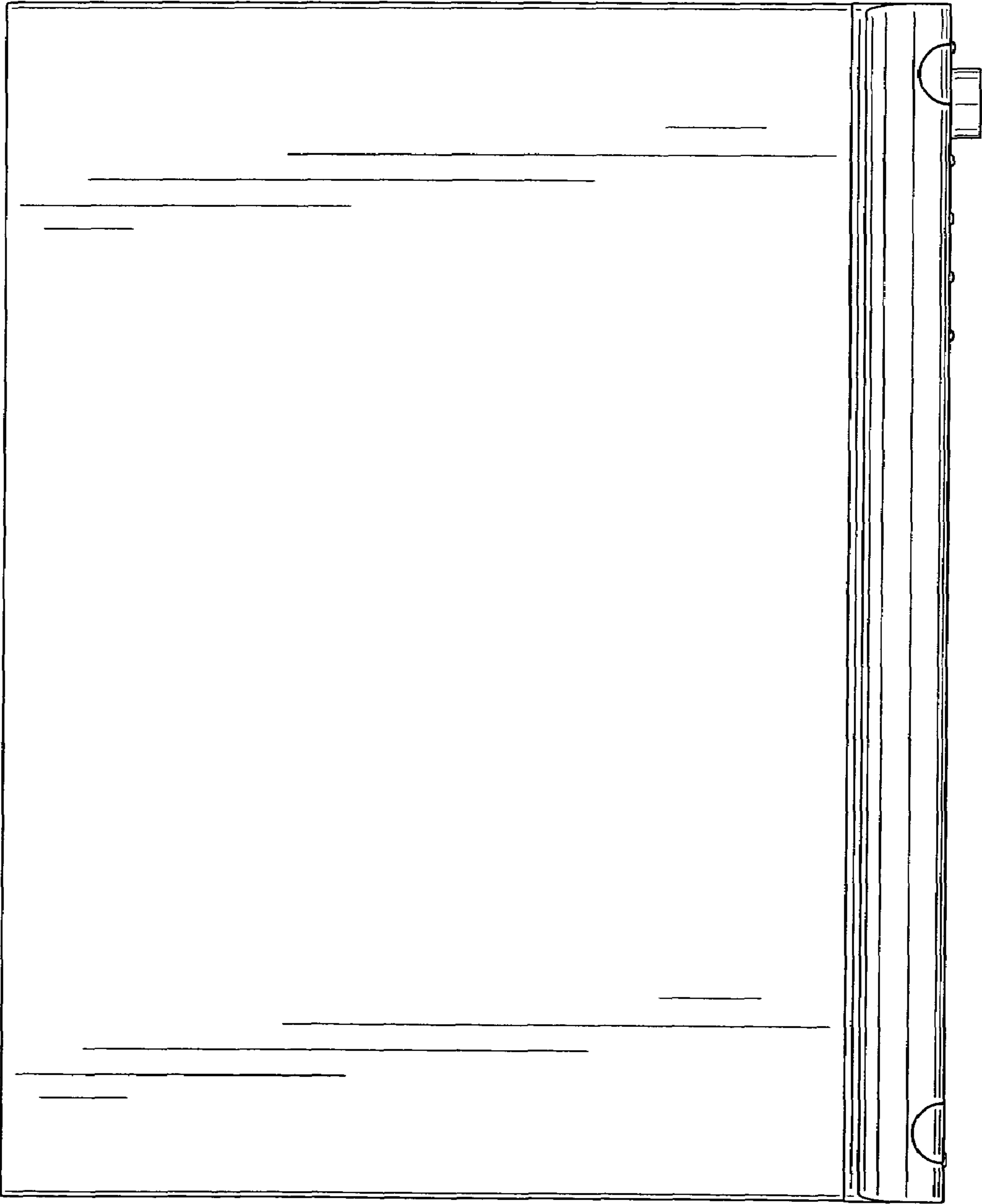


Fig.7

