



US00D570329S

(12) **United States Design Patent**
Bhavnani

(10) **Patent No.:** **US D570,329 S**
(45) **Date of Patent:** **** Jun. 3, 2008**

(54) **DIGITAL AUDIO PLAYER AND PEDOMETER**

D496,344 S * 9/2004 Chen D14/171
D531,161 S * 10/2006 Chen D14/171

(75) Inventor: **Dilip Bhavnani**, Beverly Hills, CA (US)

* cited by examiner

Primary Examiner—Nanda Bondade
(74) *Attorney, Agent, or Firm*—The Soni Law Firm

(73) Assignee: **Sun Coast Merchandise Corporation**, Commerce, CA (US)

(57) **CLAIM**

(**) Term: **14 Years**

The ornamental design for a digital audio player and pedometer, as shown and described.

(21) Appl. No.: **29/250,759**

(22) Filed: **Nov. 30, 2006**

DESCRIPTION

(51) **LOC (8) Cl.** **14-01**

FIG. 1 is a front left side and top perspective view of a digital audio player and pedometer showing my new design;

(52) **U.S. Cl.** **D14/168; D14/496**

FIG. 2 is a front elevational view thereof;

(58) **Field of Classification Search** D14/135–136, D14/156, 167–168, 171–172, 198, 496, 191–192; D10/70, 98; 235/105; 369/75.11, 75.21, 369/77.21, 77.11; 720/612, 619, 647, 655; 377/5, 24.2, 26; 702/144, 160
See application file for complete search history.

FIG. 3 is a top plan view thereof;

FIG. 4 is a right side elevational view thereof;

FIG. 5 is a left side elevational view thereof;

FIG. 6 is a rear elevational view thereof; and,

FIG. 7 is a bottom plan view thereof.

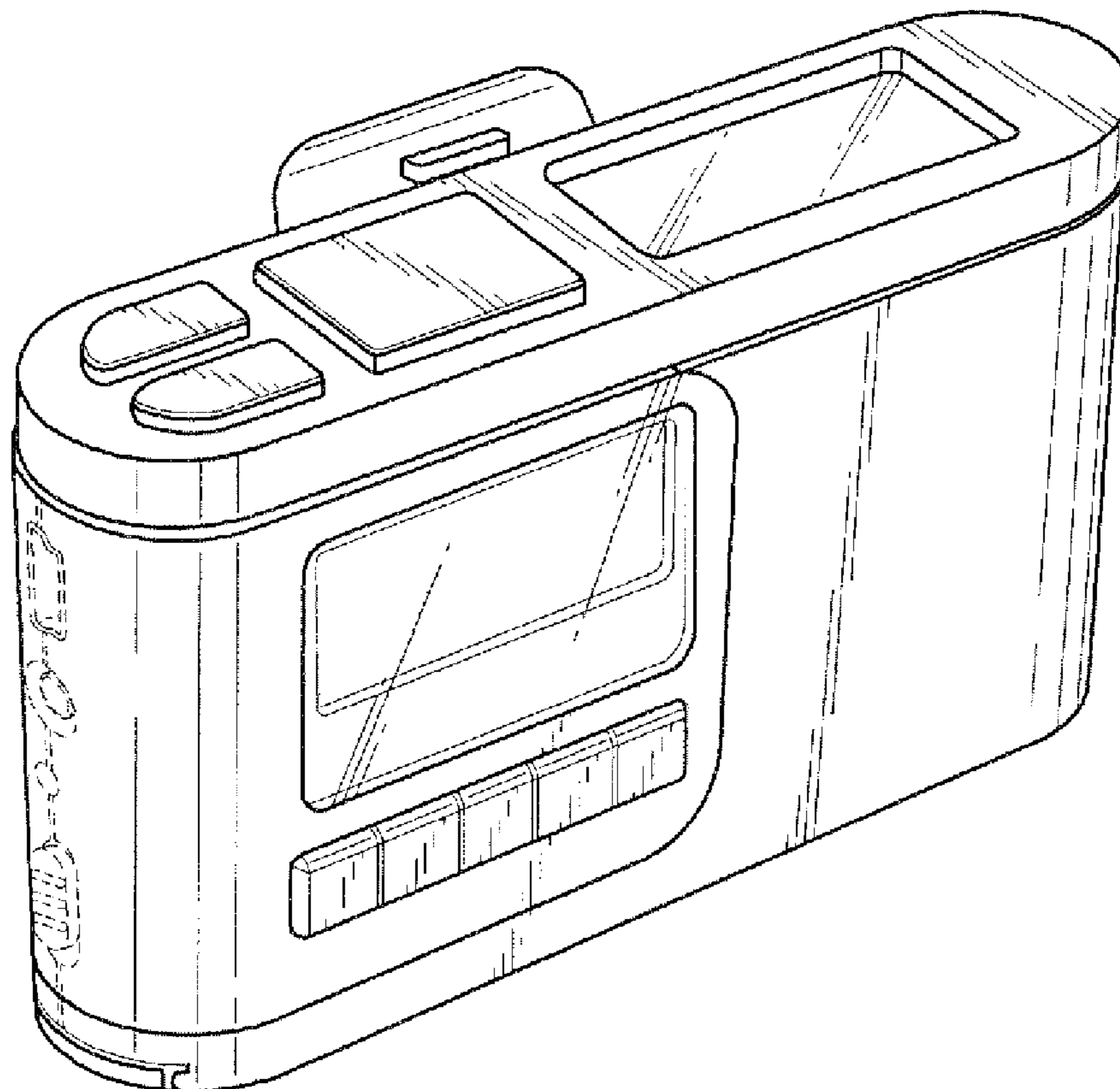
(56) **References Cited**

The broken line showing on the drawing disclosure is for illustrative purposes only and forms no part of the claimed design.

U.S. PATENT DOCUMENTS

D303,094 S * 8/1989 Ling D10/70
6,386,041 B1 * 5/2002 Yang 235/105

1 Claim, 2 Drawing Sheets



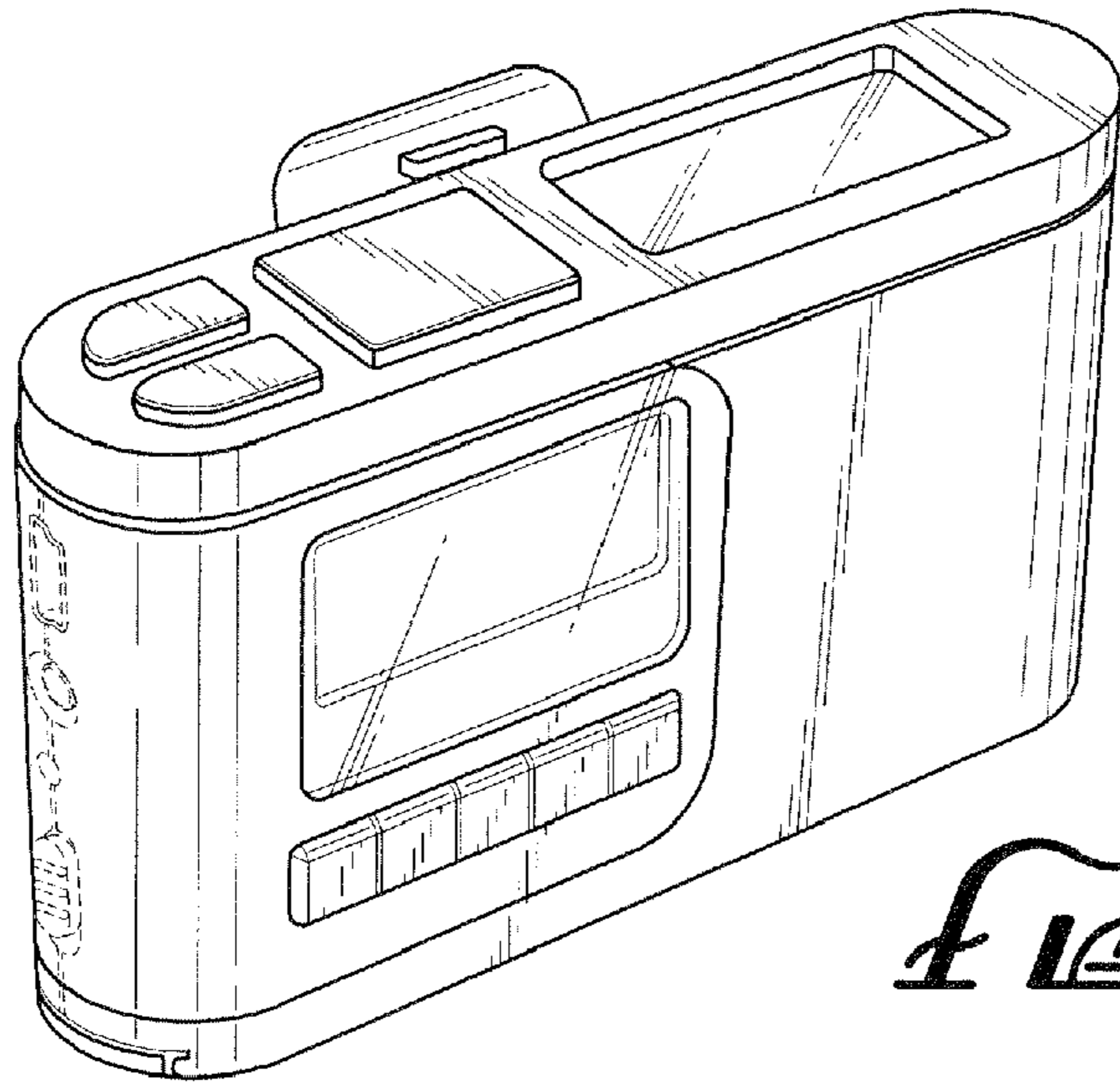


FIG. 1

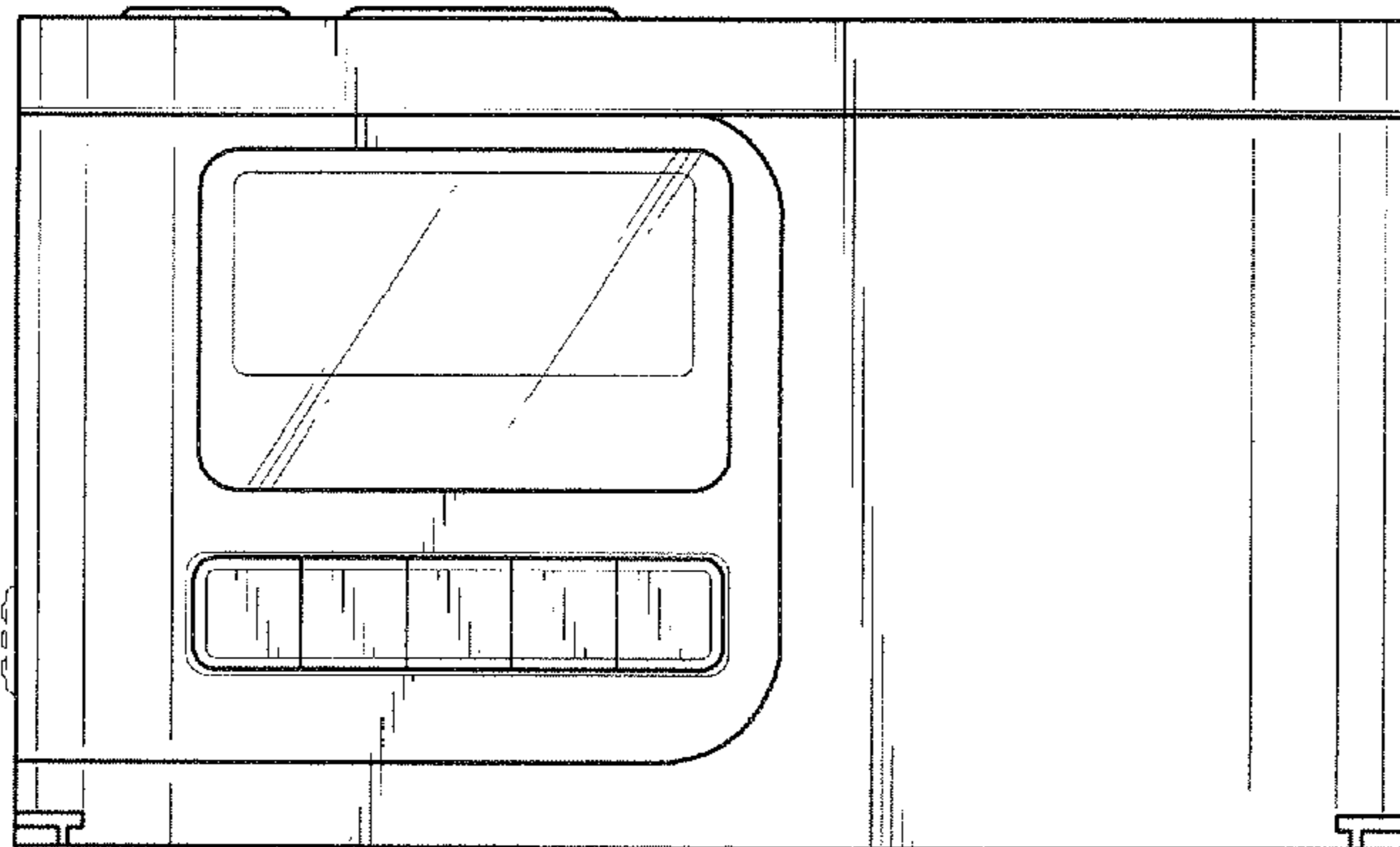


FIG. 2

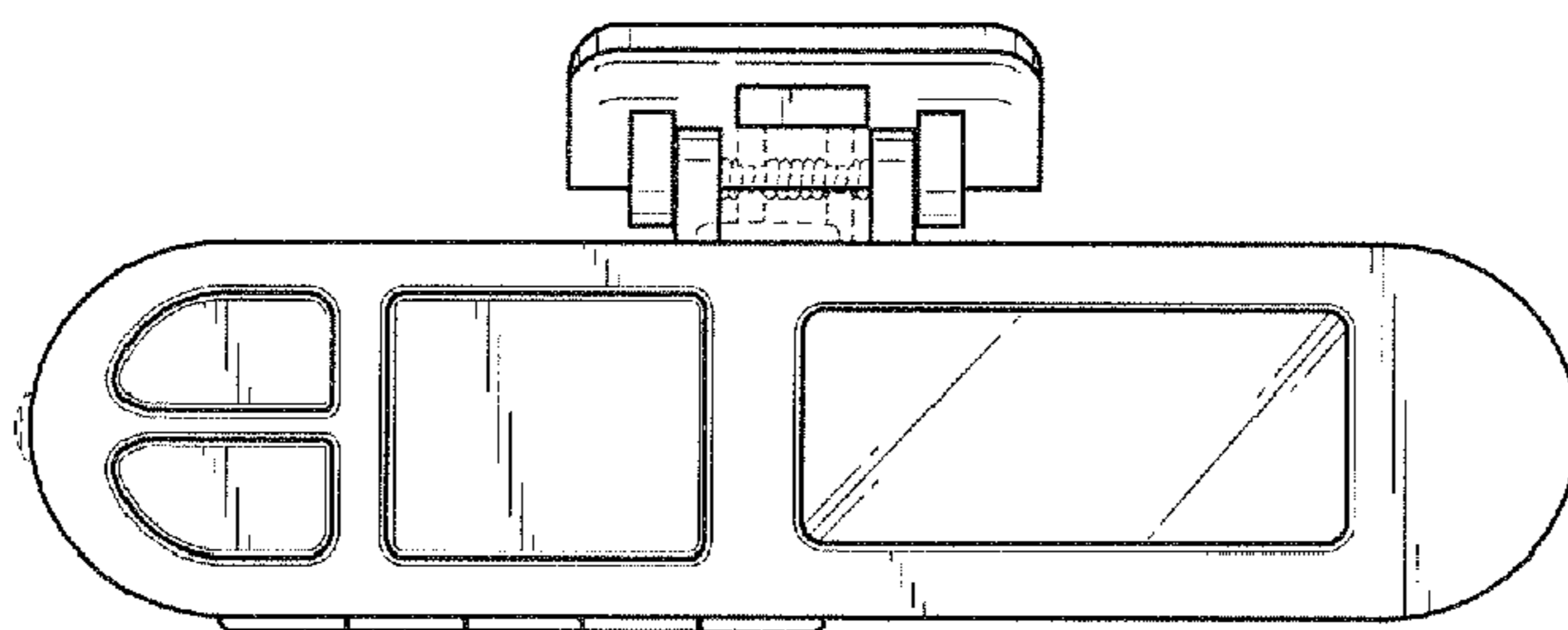


FIG. 3

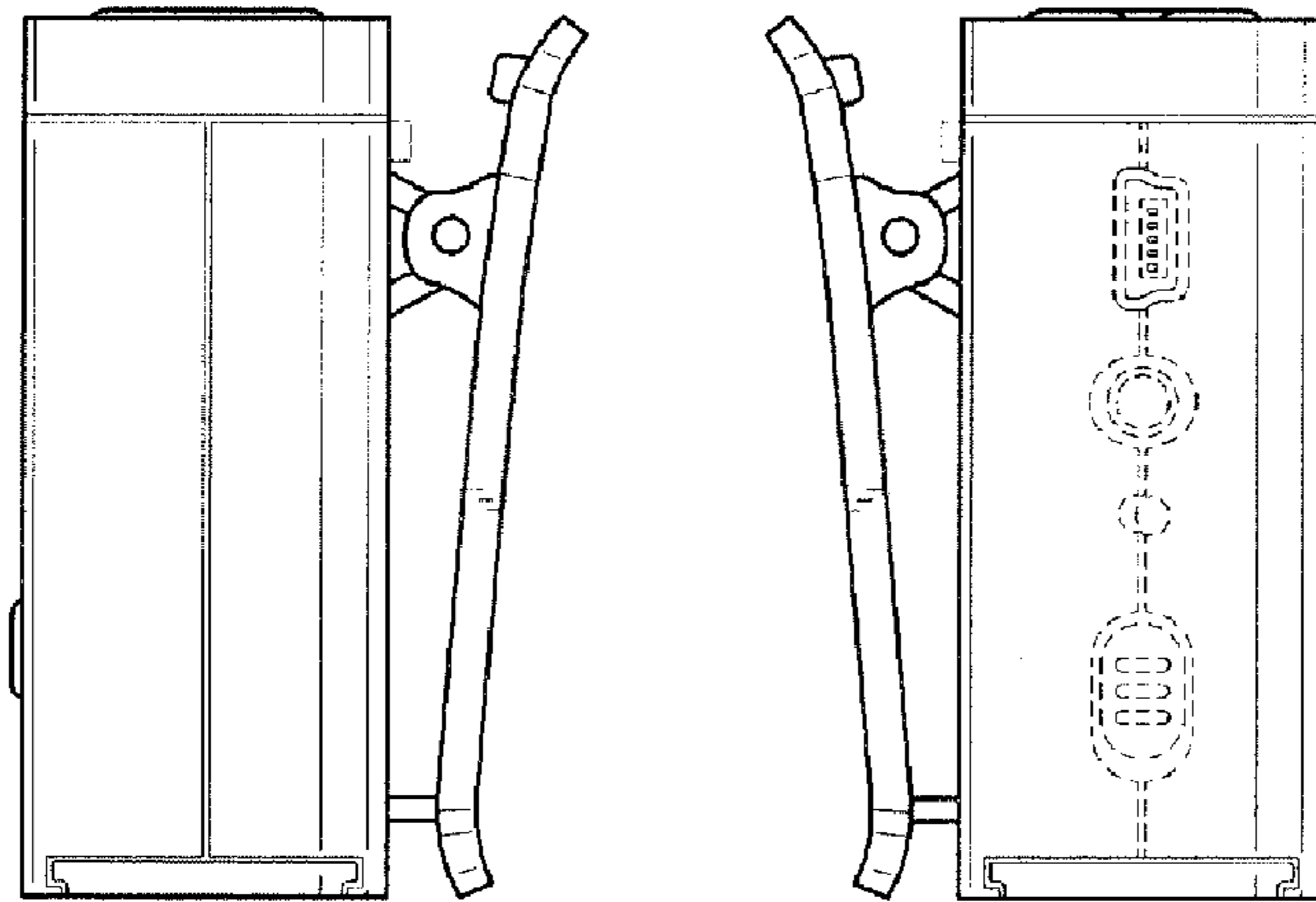


FIG. 4

FIG. 5

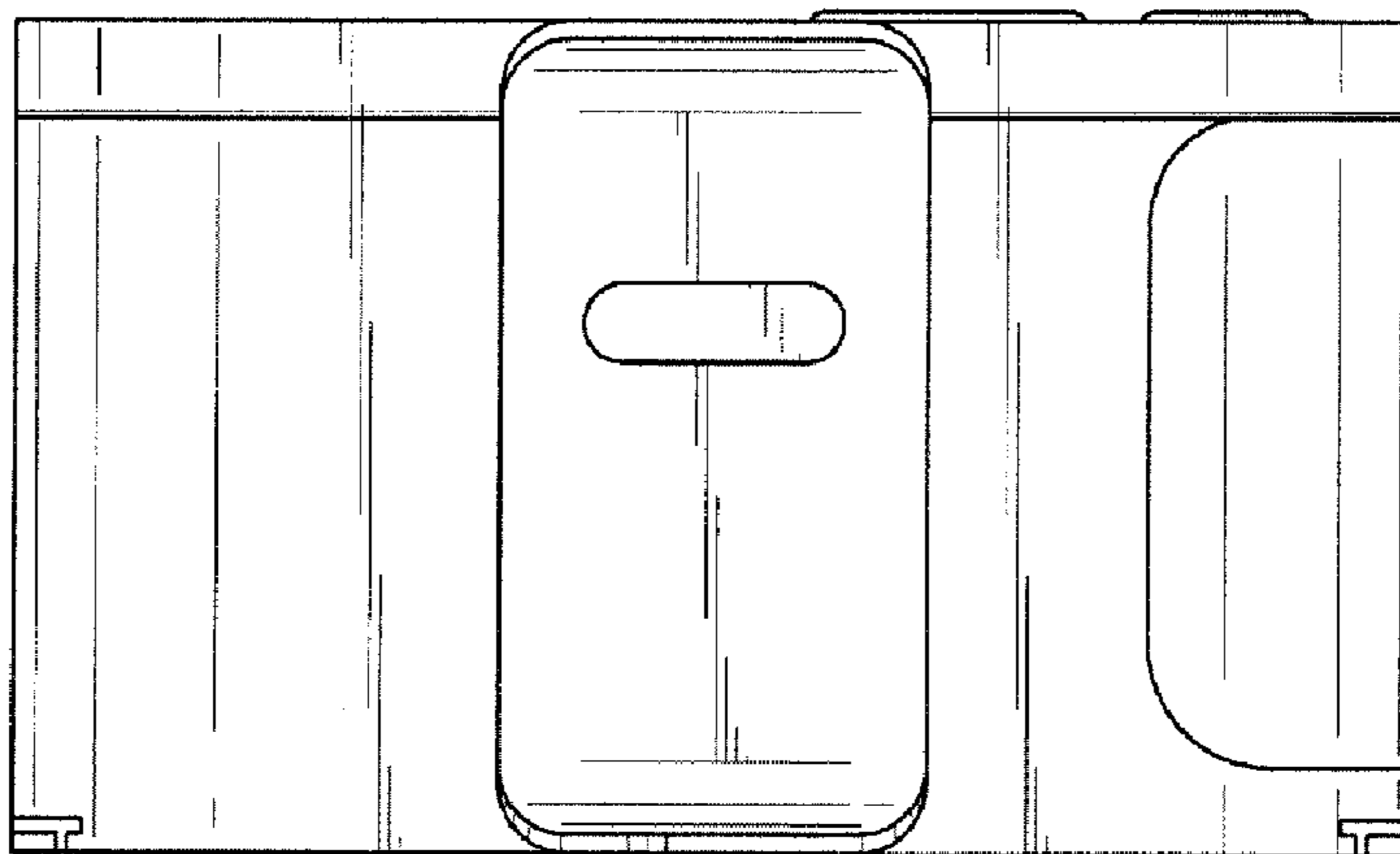


FIG. 6

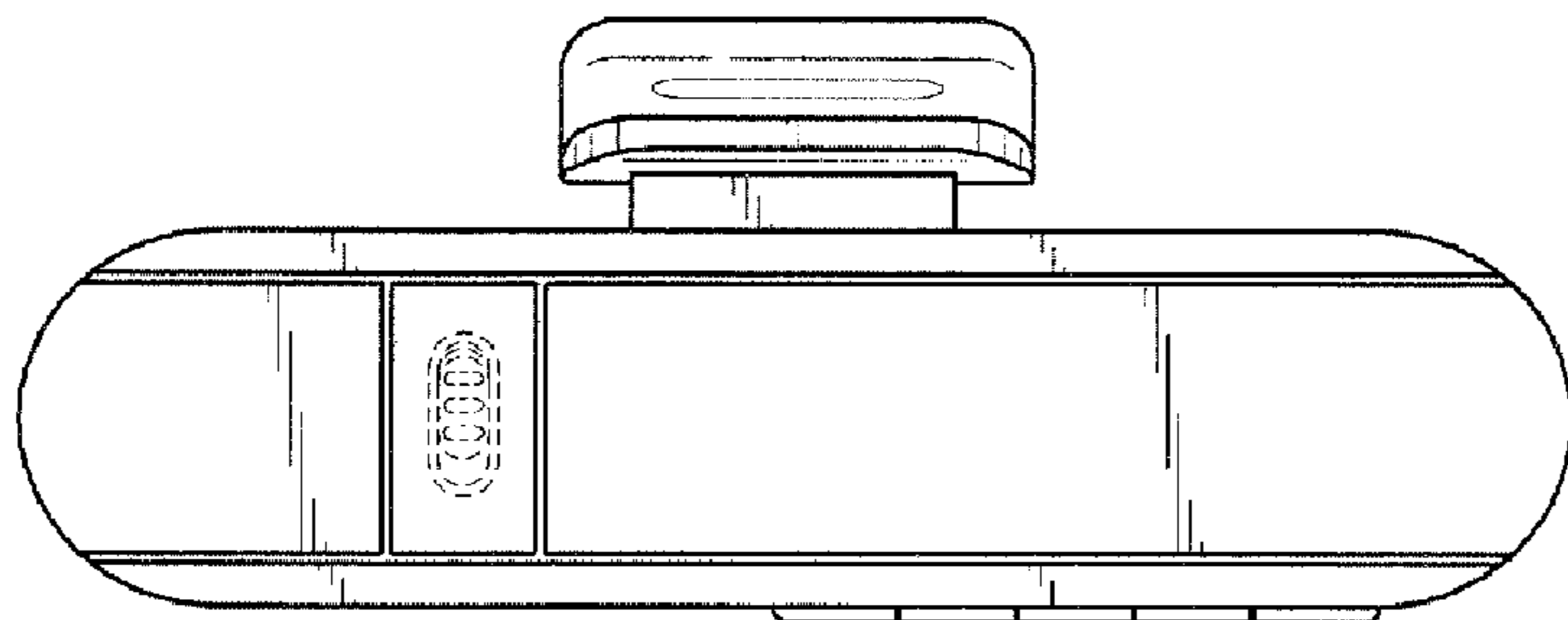


FIG. 7