



US00D570327S

(12) **United States Design Patent**  
**Ikeda et al.**

(10) **Patent No.: US D570,327 S**  
(45) **Date of Patent: \*\* Jun. 3, 2008**

(54) **TRANSMITTER DEVICE**

(75) Inventors: **John Ikeda**, Seattle, WA (US); **Carl J. Ledbetter**, Mercer Island, WA (US); **Steven T. Kaneko**, Medina, WA (US); **John Dan Mabry**, Seattle, WA (US)

(73) Assignee: **Microsoft Corporation**, Redmond, WA (US)

(\*\*) Term: **14 Years**

(21) Appl. No.: **29/248,483**

(22) Filed: **Aug. 17, 2006**

(51) **LOC (8) Cl.** ..... **14-03**

(52) **U.S. Cl.** ..... **D14/155**

(58) **Field of Classification Search** ..... D14/358,  
D14/299, 248, 240, 218, 191, 188, 162, 155,  
D14/137, 226; D13/168, 110, 144, 107,  
D13/108; D10/121, 104, 106; 343/711,  
343/713; 381/76, 80, 86; 455/119, 121

See application file for complete search history.

(56) **References Cited**

**U.S. PATENT DOCUMENTS**

- D338,465 S \* 8/1993 Hayasaka et al. .... D14/191
- D352,504 S \* 11/1994 Scheid et al. .... D14/191
- D366,262 S \* 1/1996 Inaba ..... D14/218
- D450,313 S \* 11/2001 Koinuma ..... D14/218
- D506,209 S \* 6/2005 Leong ..... D14/496
- D507,261 S \* 7/2005 Griffin ..... D14/226
- D511,770 S \* 11/2005 Chung ..... D14/240
- D515,545 S \* 2/2006 Griffin ..... D14/155
- D520,996 S \* 5/2006 Deng ..... D14/356
- D532,776 S \* 11/2006 Griffin ..... D14/218
- D534,149 S \* 12/2006 Griffin ..... D14/155
- D535,278 S \* 1/2007 Hussaini et al. .... D14/155
- D535,972 S \* 1/2007 Griffin ..... D14/155

- D545,809 S \* 7/2007 Griffin ..... D14/155
- D546,811 S \* 7/2007 Neu et al. .... D14/155
- D549,210 S \* 8/2007 Neu et al. .... D14/155
- D556,743 S \* 12/2007 Griffin ..... D14/230

**FOREIGN PATENT DOCUMENTS**

JP 1273513 6/2006

**OTHER PUBLICATIONS**

Mar. 30, 2007 Office Action from corresponding Japanese Design Application No. 2007-000452.

\* cited by examiner

*Primary Examiner*—Cathron Brooks

*Assistant Examiner*—Austin Murphy

(74) *Attorney, Agent, or Firm*—Banner & Witcoff, Ltd.

(57) **CLAIM**

The ornamental design for a transmitter device, as shown and described.

**DESCRIPTION**

FIG. 1 is a front perspective view of a transmitter device showing our new design;

FIG. 2 is a front view thereof;

FIG. 3 is a rear view thereof;

FIG. 4 is a top view thereof;

FIG. 5 is a bottom view thereof;

FIG. 6 is a right side view thereof; and,

FIG. 7 is a left side view thereof.

The broken line showing of various regions in the Figures, including the unshaded areas therein, is for illustrative purposes only and forms no part of the claimed design.

**1 Claim, 4 Drawing Sheets**

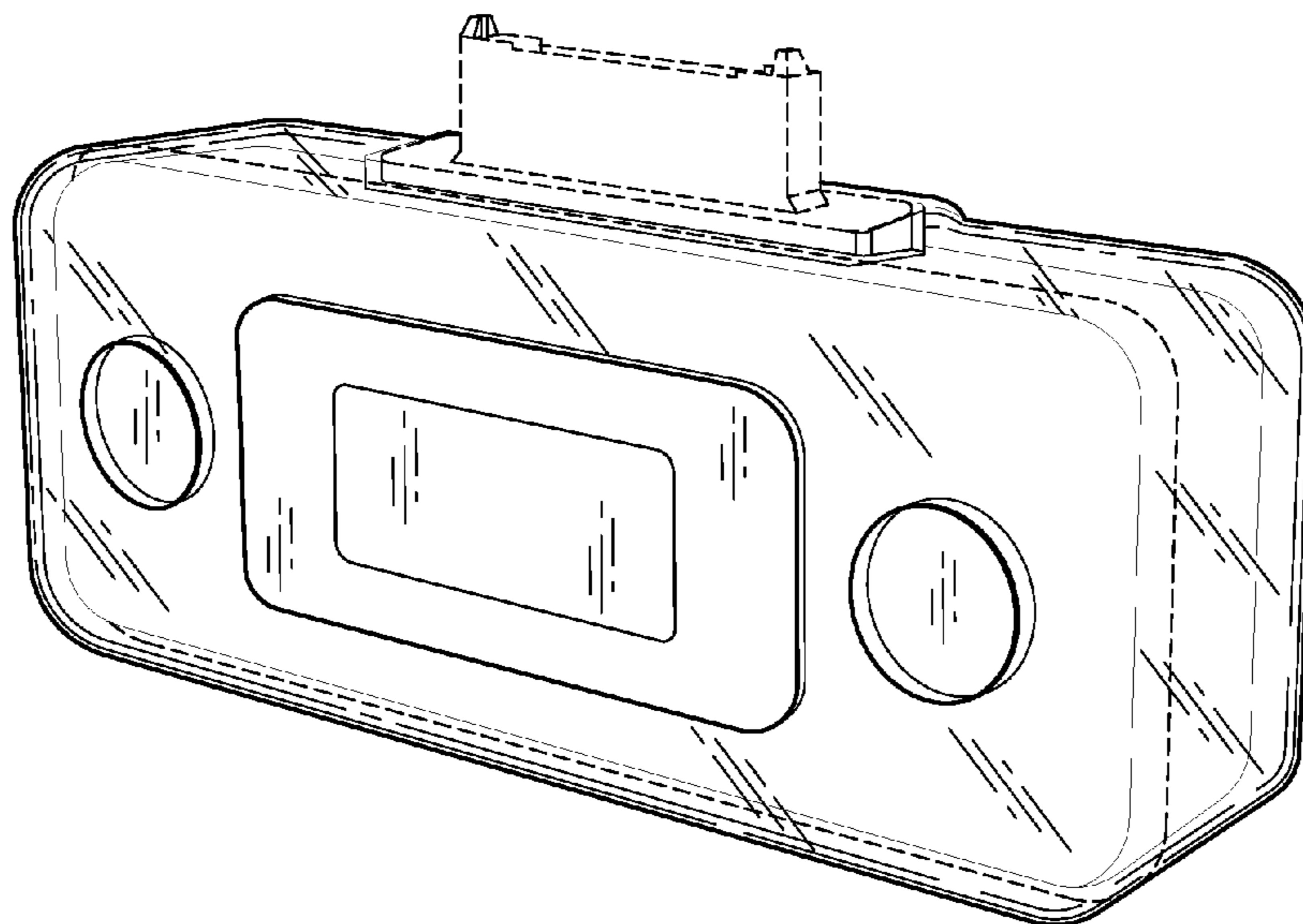


FIG. 1

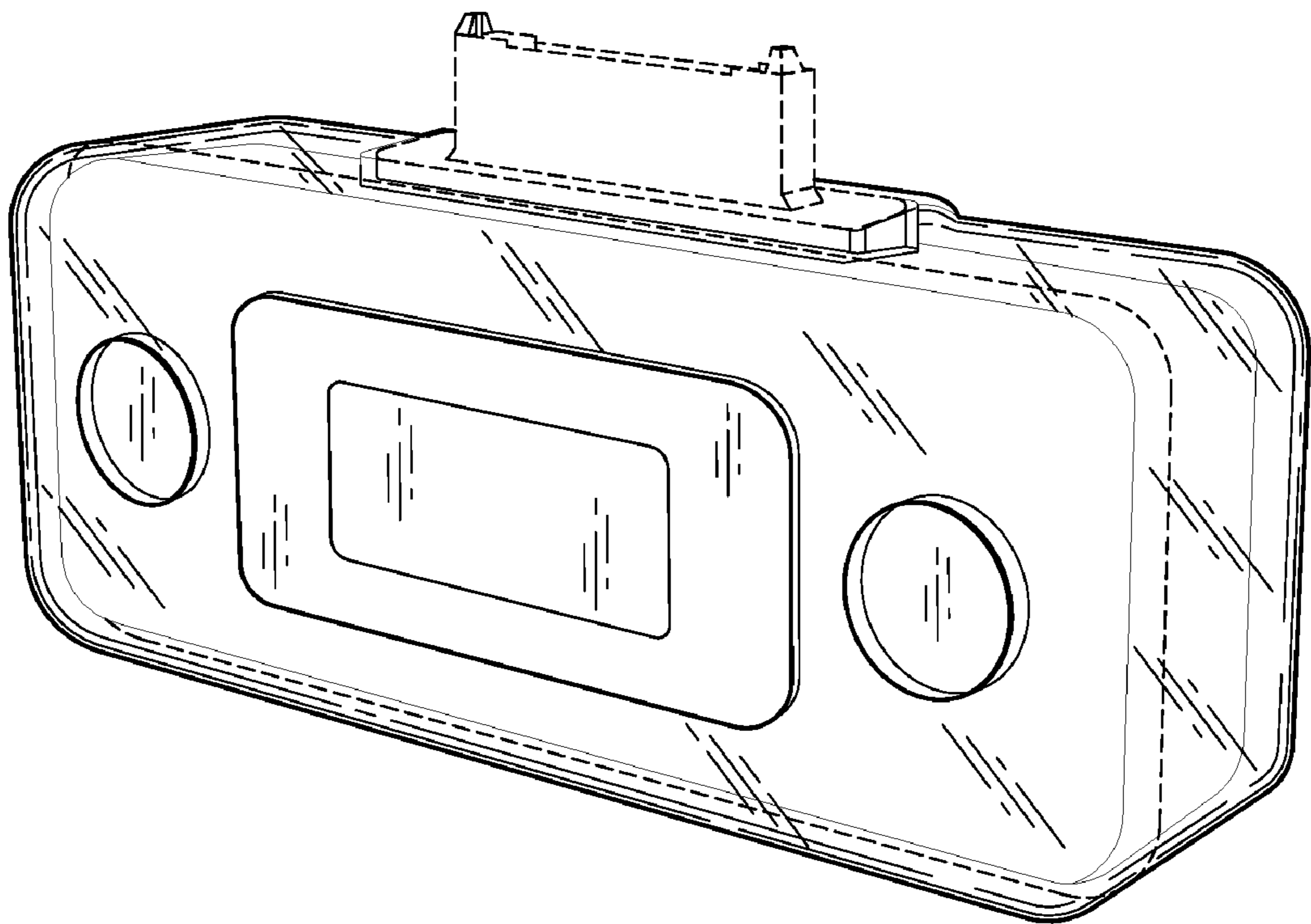


FIG. 2

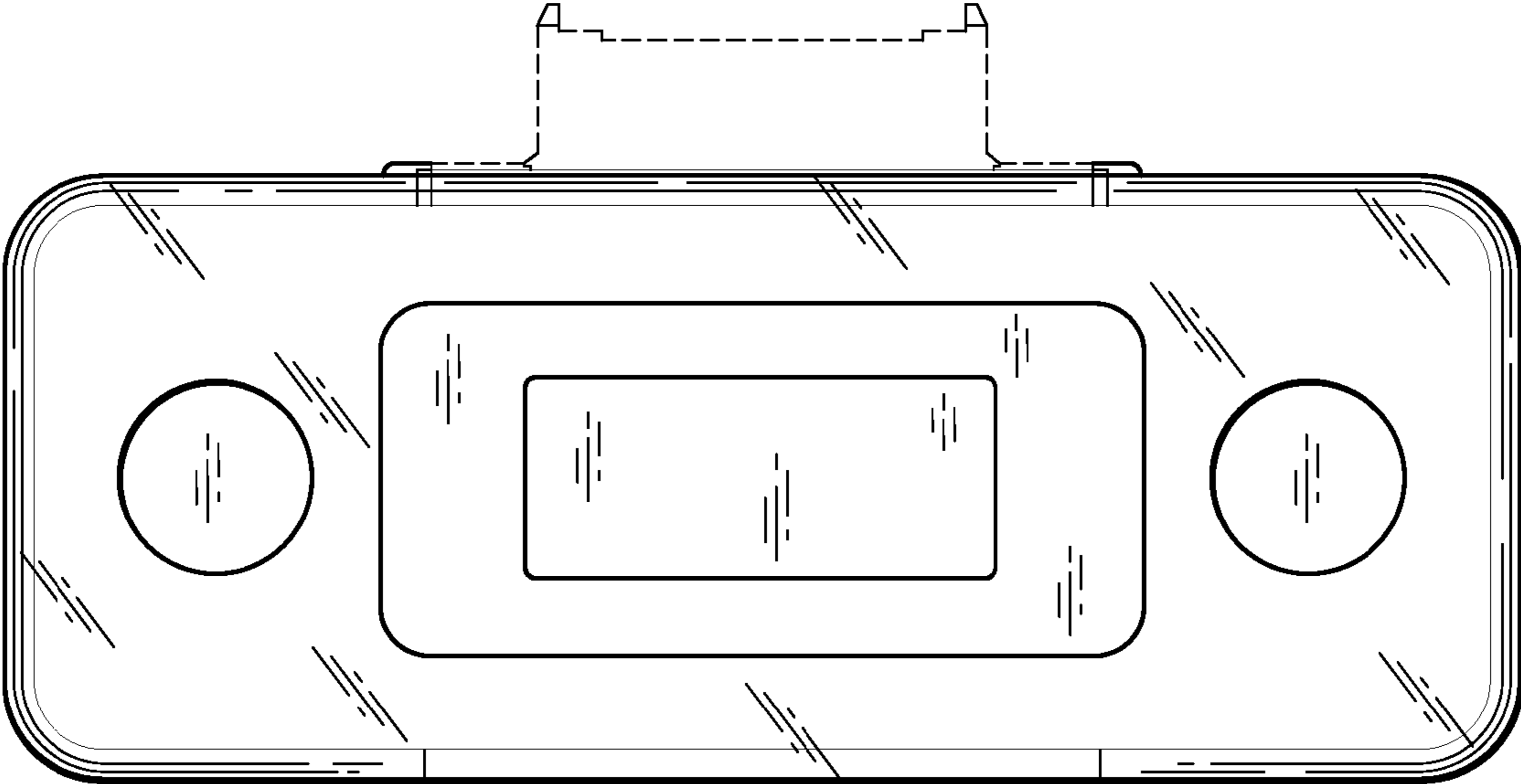


FIG. 3

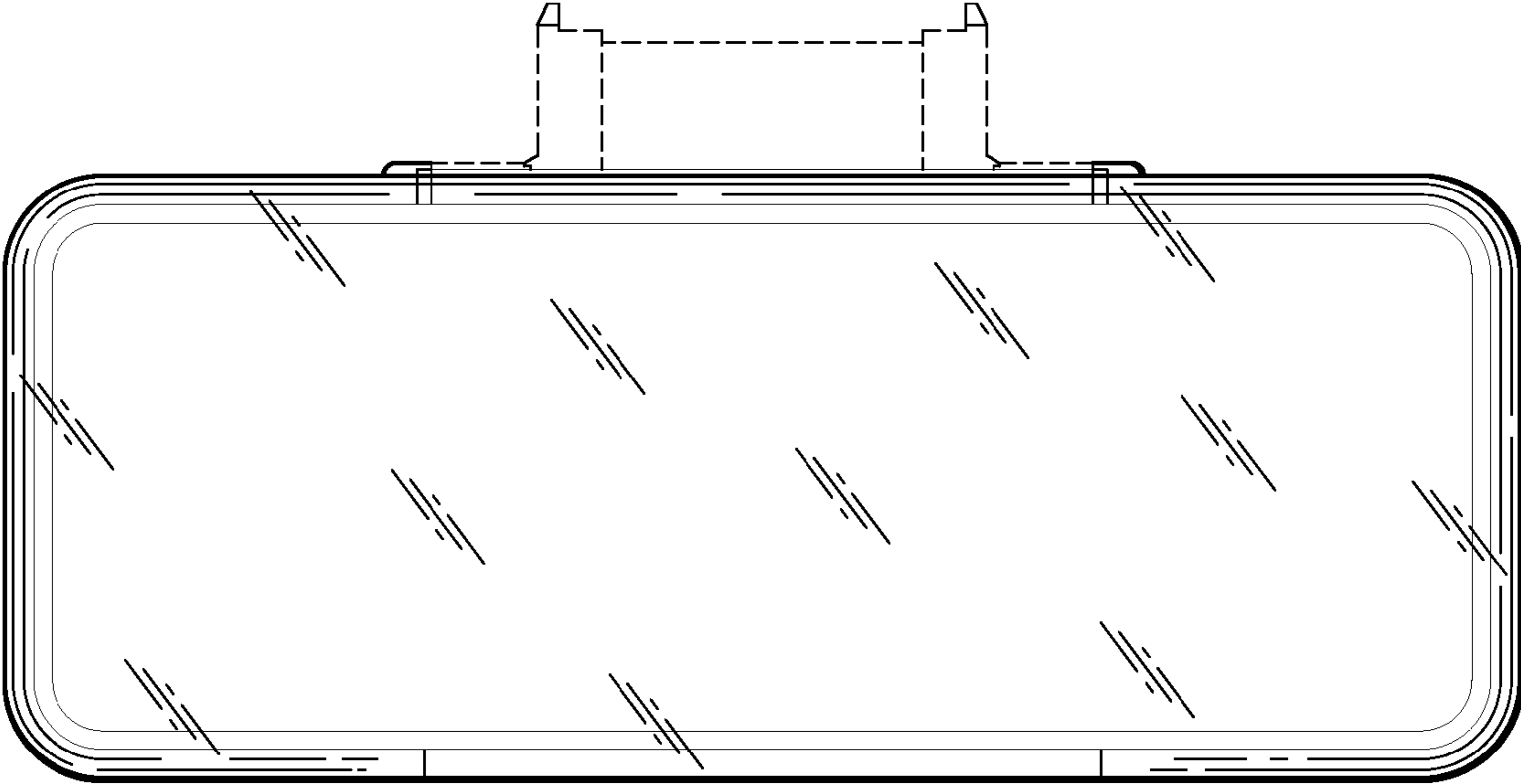


FIG. 4

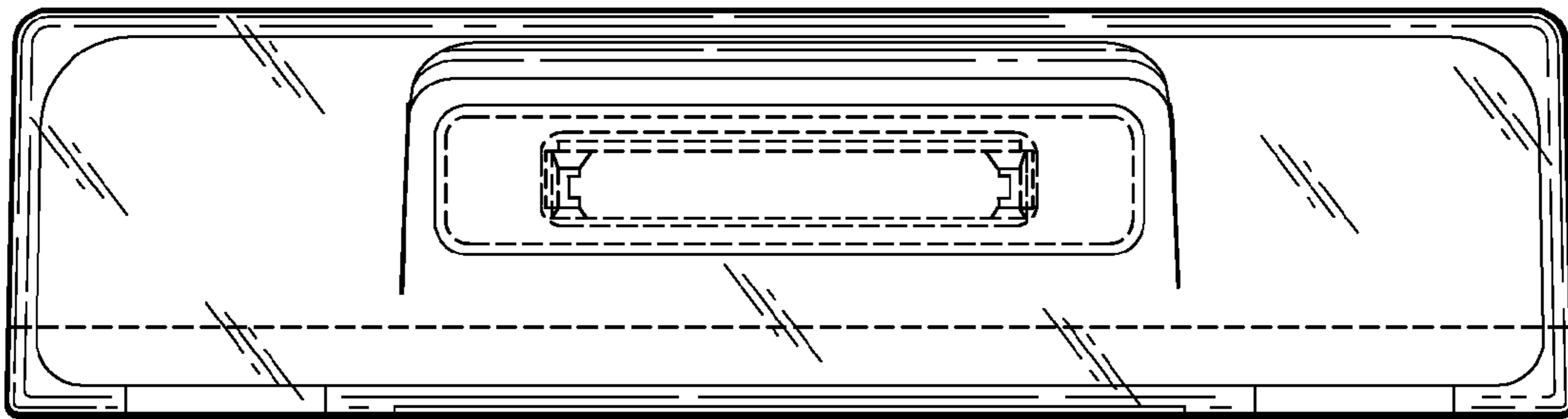


FIG. 5

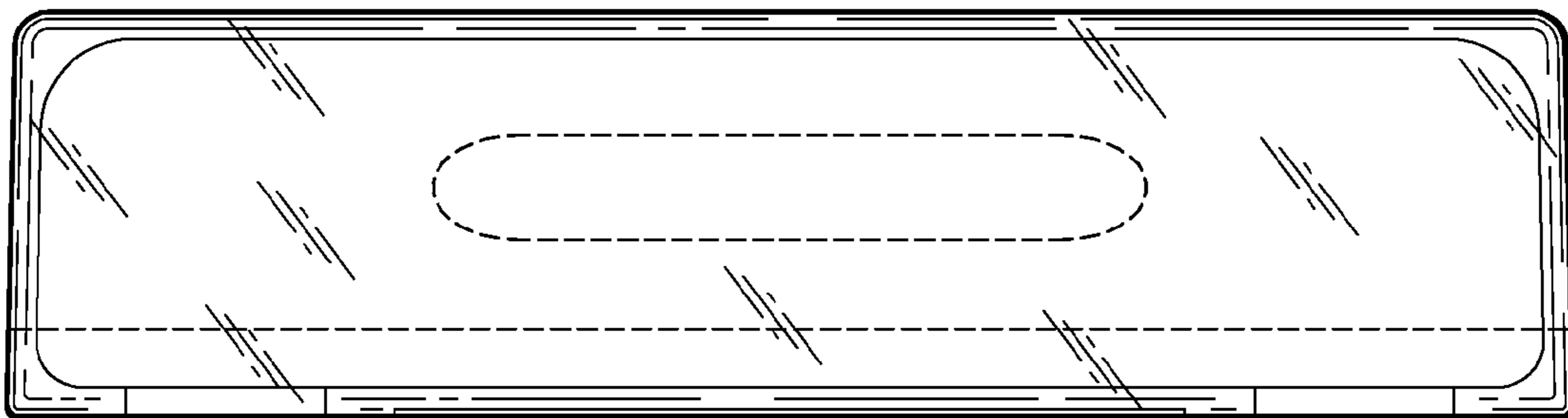


FIG. 6

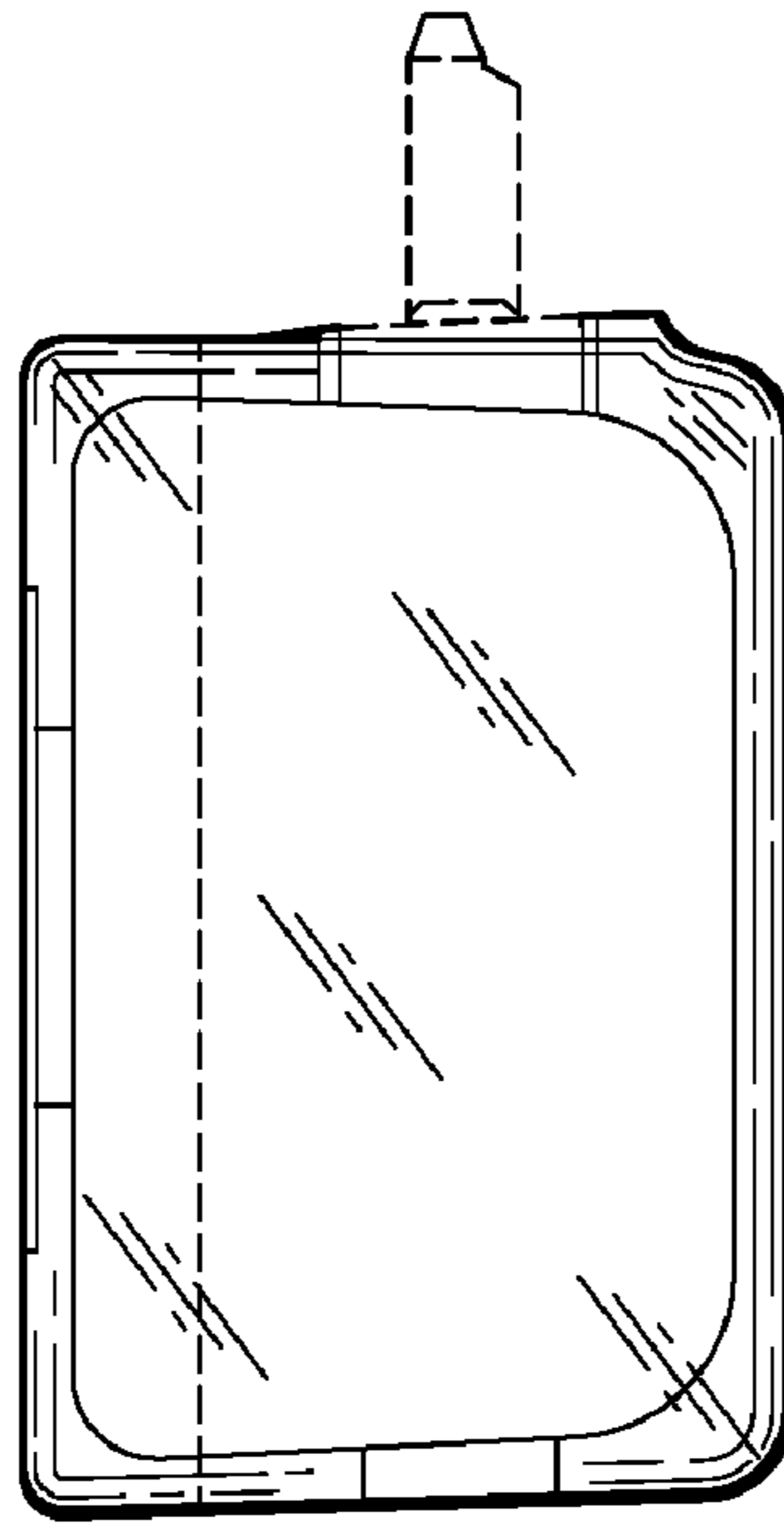


FIG. 7

