



US00D570325S

(12) **United States Design Patent**
Hasegawa et al.

(10) **Patent No.:** **US D570,325 S**
(45) **Date of Patent:** **** Jun. 3, 2008**

(54) **TELEPHONE BASE UNIT**

D556,729 S * 12/2007 Masashi et al. D14/151
D558,749 S * 1/2008 Furuno et al. D14/253

(75) Inventors: **Takashi Hasegawa**, Kadoma (JP);
Akira Nakajima, Kadoma (JP); **Kenji Miyata**, Kadoma (JP)

FOREIGN PATENT DOCUMENTS

WO DM/055666 * 5/2000

(73) Assignee: **Matsushita Electric Industrial Co., Ltd.**, Osaka (JP)

OTHER PUBLICATIONS

(**) Term: **14 Years**

Vtech ia5863, <URL: <http://www.101phones.com/details/2051-1935/Vtech-5-8GHz-Phones-Answering-System-ia5863.html>>, retrieved from internet Feb. 9, 2008.*

(21) Appl. No.: **29/297,924**

* cited by examiner

(22) Filed: **Nov. 21, 2007**

Primary Examiner—Ian Simmons
Assistant Examiner—Carla Wright

(51) **LOC (8) Cl.** **14-03**

(52) **U.S. Cl.** **D14/149**

(58) **Field of Classification Search** D14/130,
D14/137, 140, 140.1, 140.8, 141.1, 141.3,
D14/142, 147–151, 158–159, 171, 188, 225–226,
D14/240, 243, 251, 253, 434; 379/387.01,
379/388.02, 420.02, 447; 381/16; D13/107–108;
191/12.2 R; 320/108, 114; 455/411

(74) *Attorney, Agent, or Firm*—Brinks Hofer Gilson & Lione

See application file for complete search history.

(57) **CLAIM**

We claim the ornamental design for a telephone base unit, as shown and described.

(56) **References Cited**

DESCRIPTION

U.S. PATENT DOCUMENTS

- 4,979,205 A * 12/1990 Haraguchi et al. 455/411
- D319,439 S * 8/1991 Danielson et al. D14/141.1
- D320,985 S * 10/1991 Danielson et al. D14/142
- D347,222 S * 5/1994 Hino et al. D14/149
- D381,657 S 7/1997 Benjamin et al.
- D385,558 S * 10/1997 Liu D14/148
- D429,231 S * 8/2000 Johnsson D14/159
- D456,795 S * 5/2002 Hughes et al. D14/149
- D457,868 S * 5/2002 Shintani D14/149
- D494,152 S * 8/2004 Sabick et al. D14/149
- D495,312 S 8/2004 Fitzgerald
- D511,510 S 11/2005 Beasley et al.
- D512,703 S * 12/2005 Ookawa D14/149

FIG. 1 is a top perspective view of a telephone base unit of the present invention;

FIG. 2 is a front view thereof;

FIG. 3 is a rear view thereof;

FIG. 4 is a first side view thereof;

FIG. 5 is a second side view thereof;

FIG. 6 is a top view thereof; and,

FIG. 7 is a bottom view thereof.

The broken line showing of environmental structures is for illustrative purposes only and forms no part of the claimed design.

1 Claim, 7 Drawing Sheets

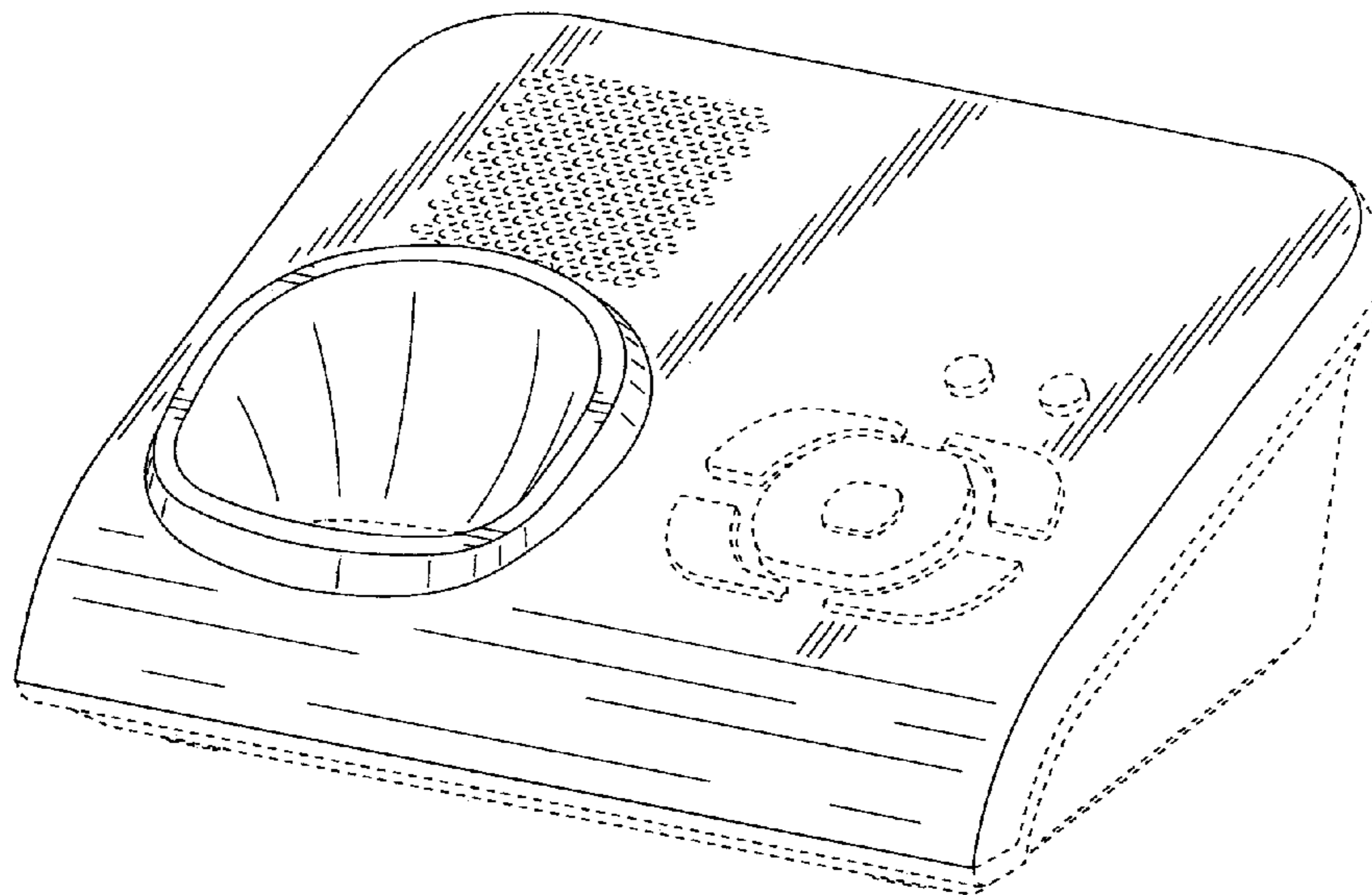


FIG.1

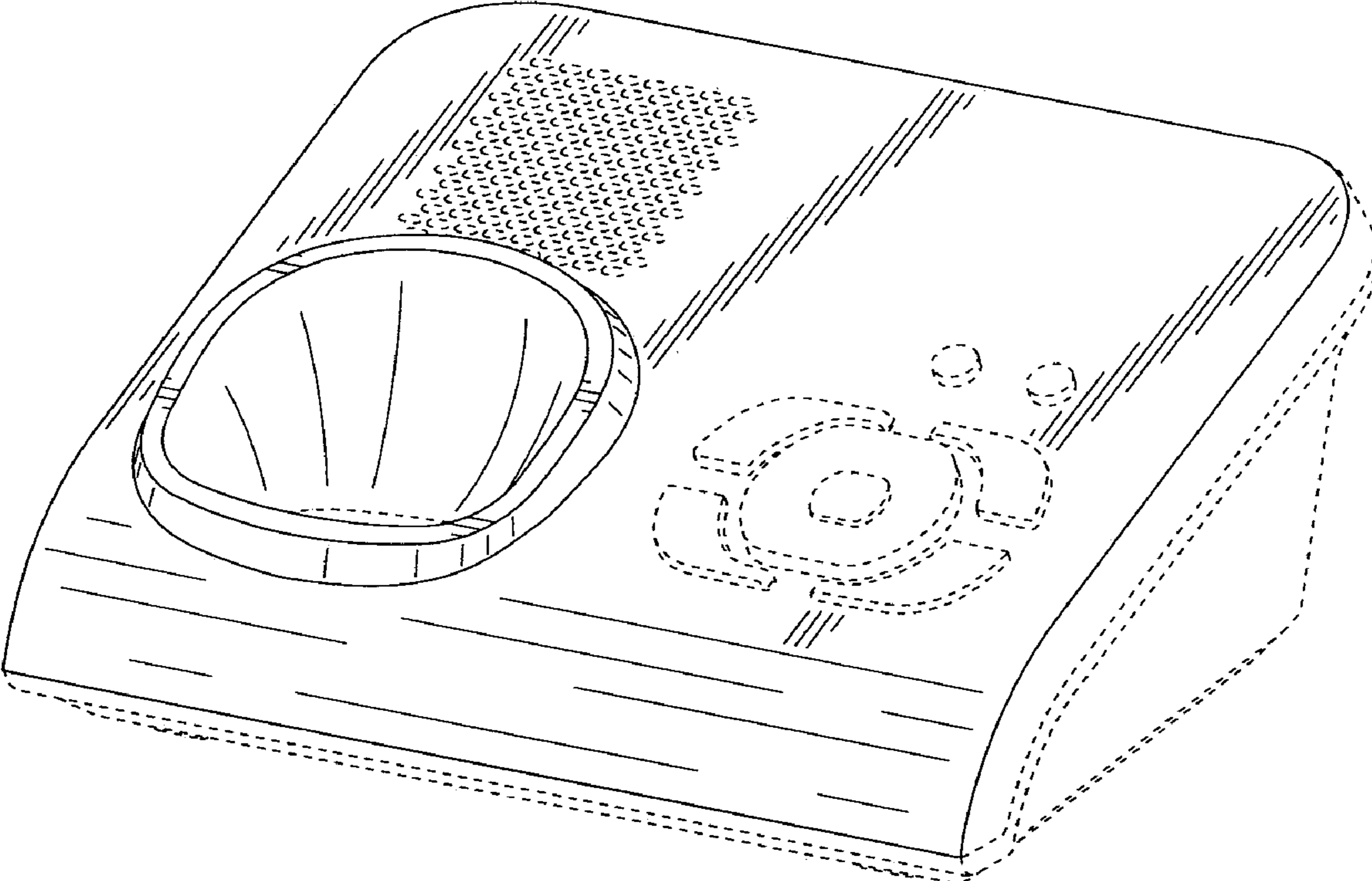


FIG. 2

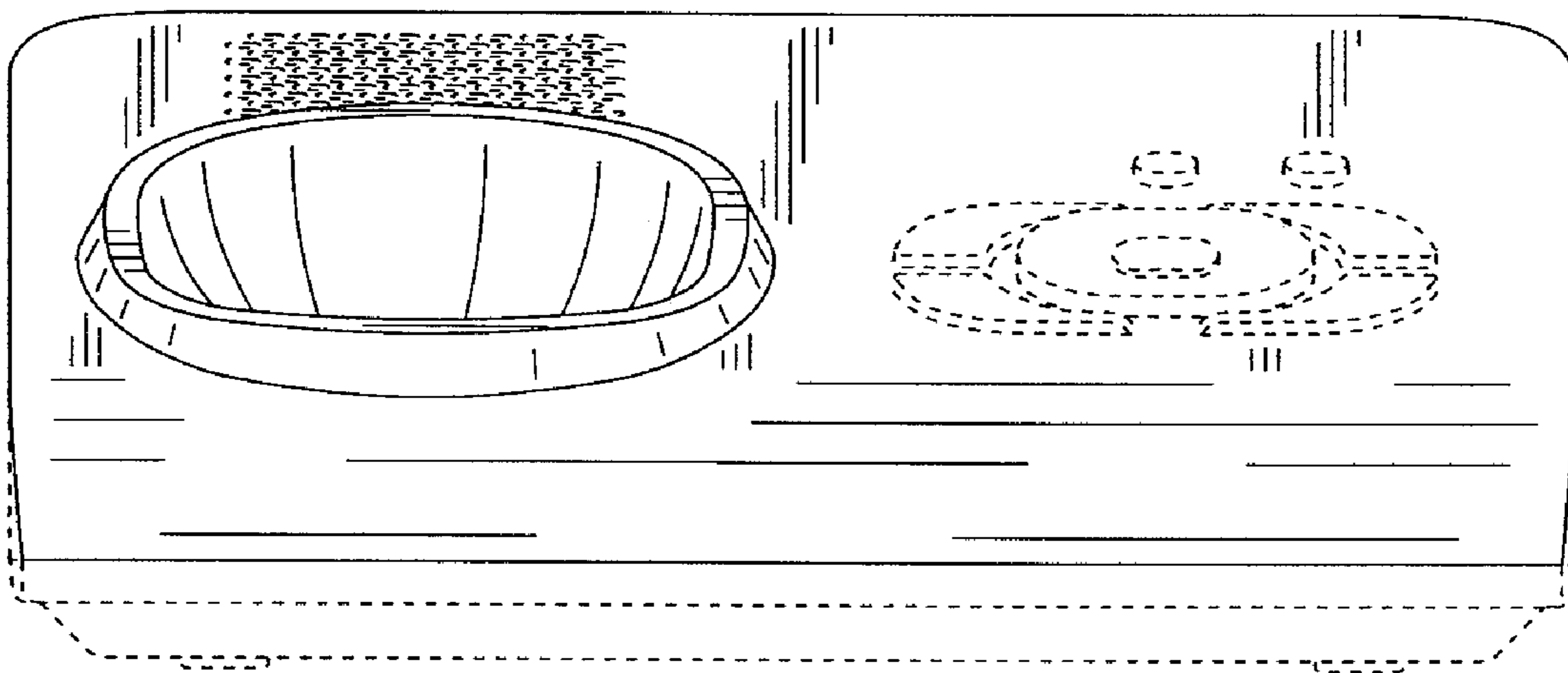


FIG. 3

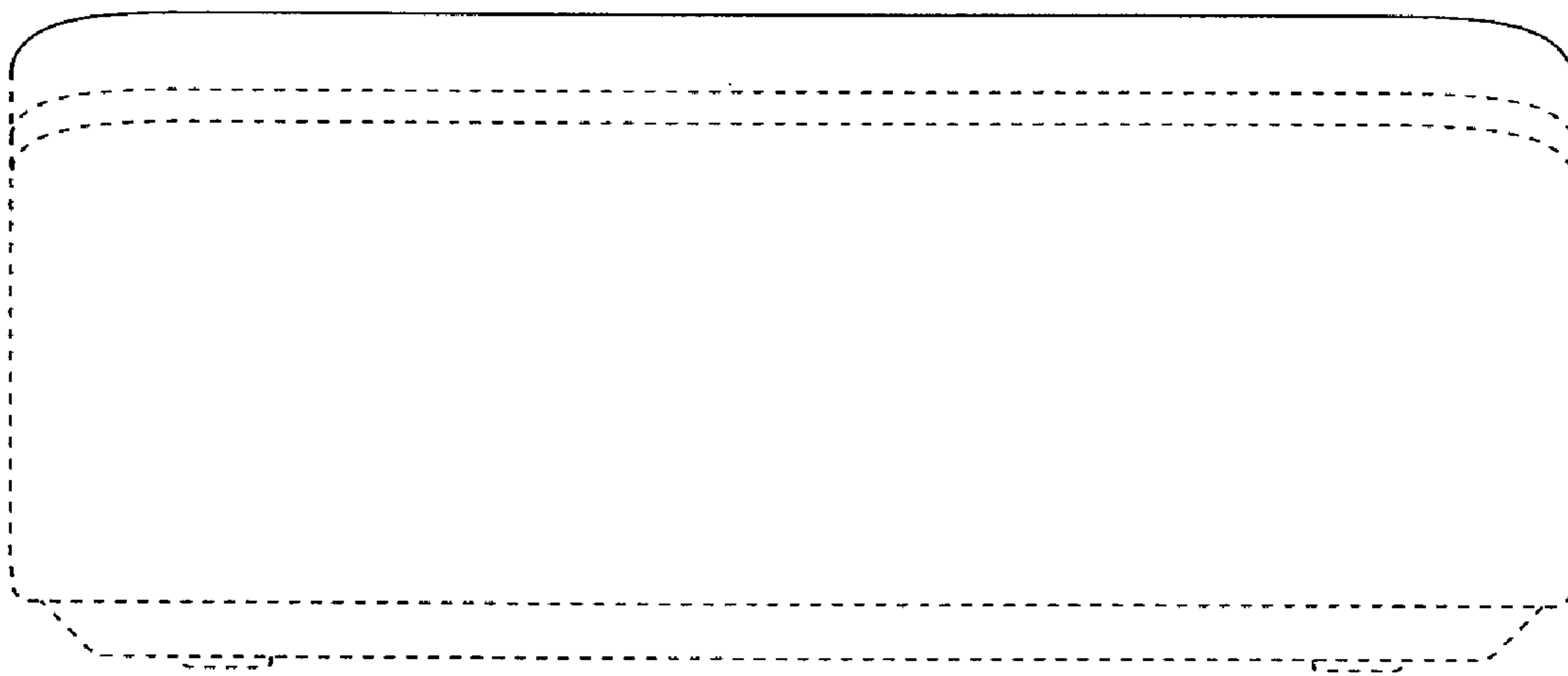


FIG. 4

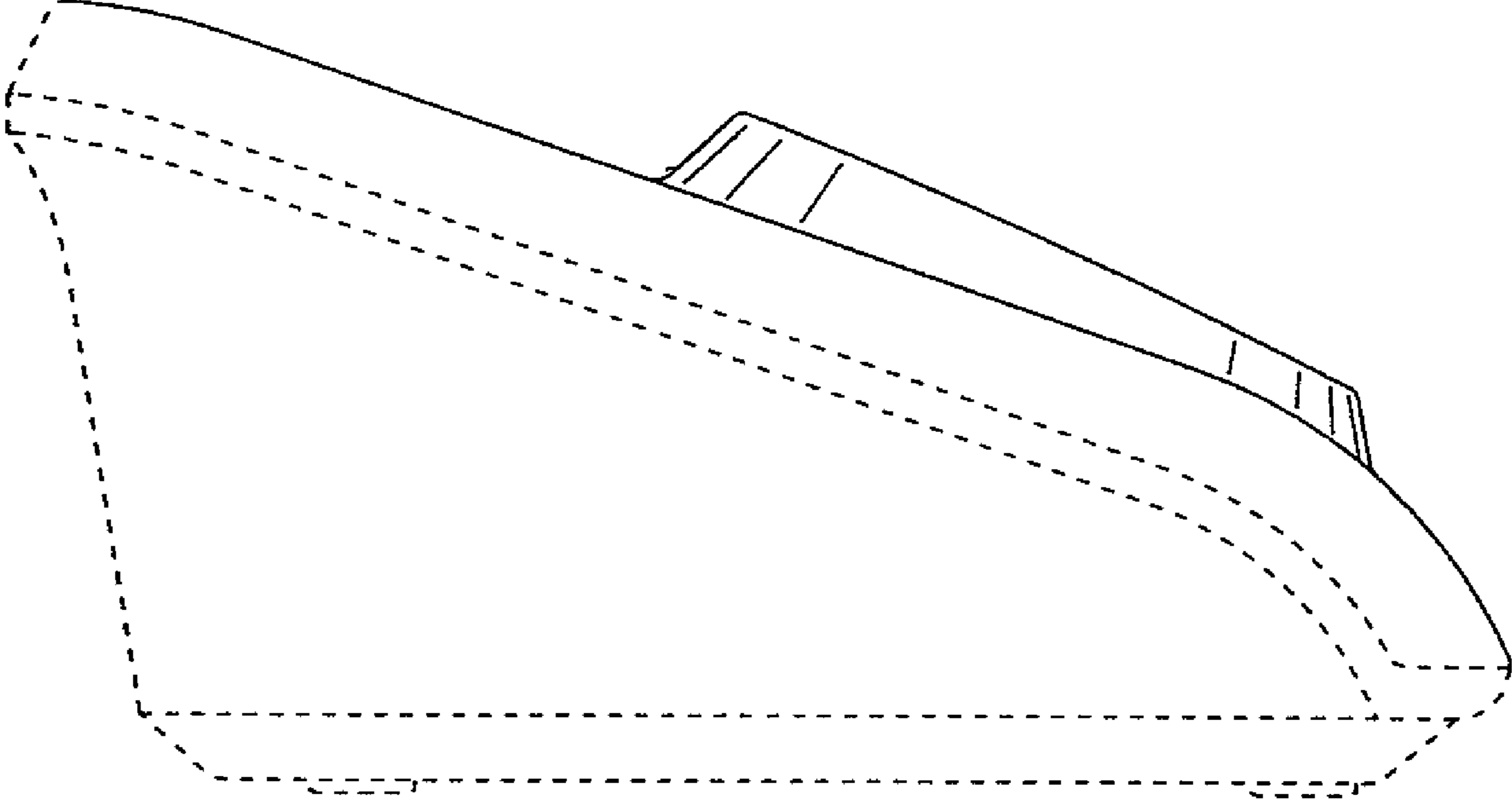


FIG. 5

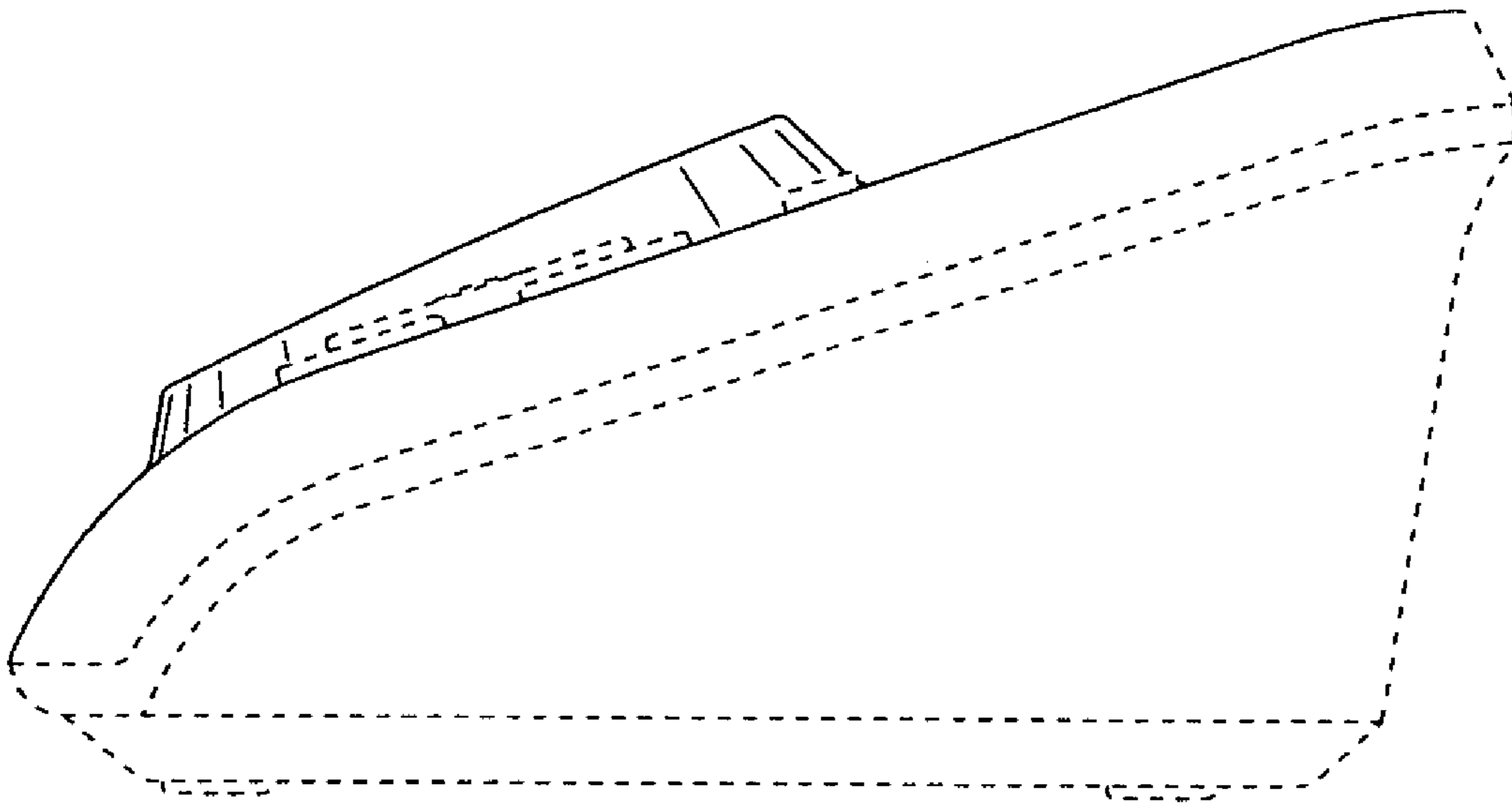


FIG. 6

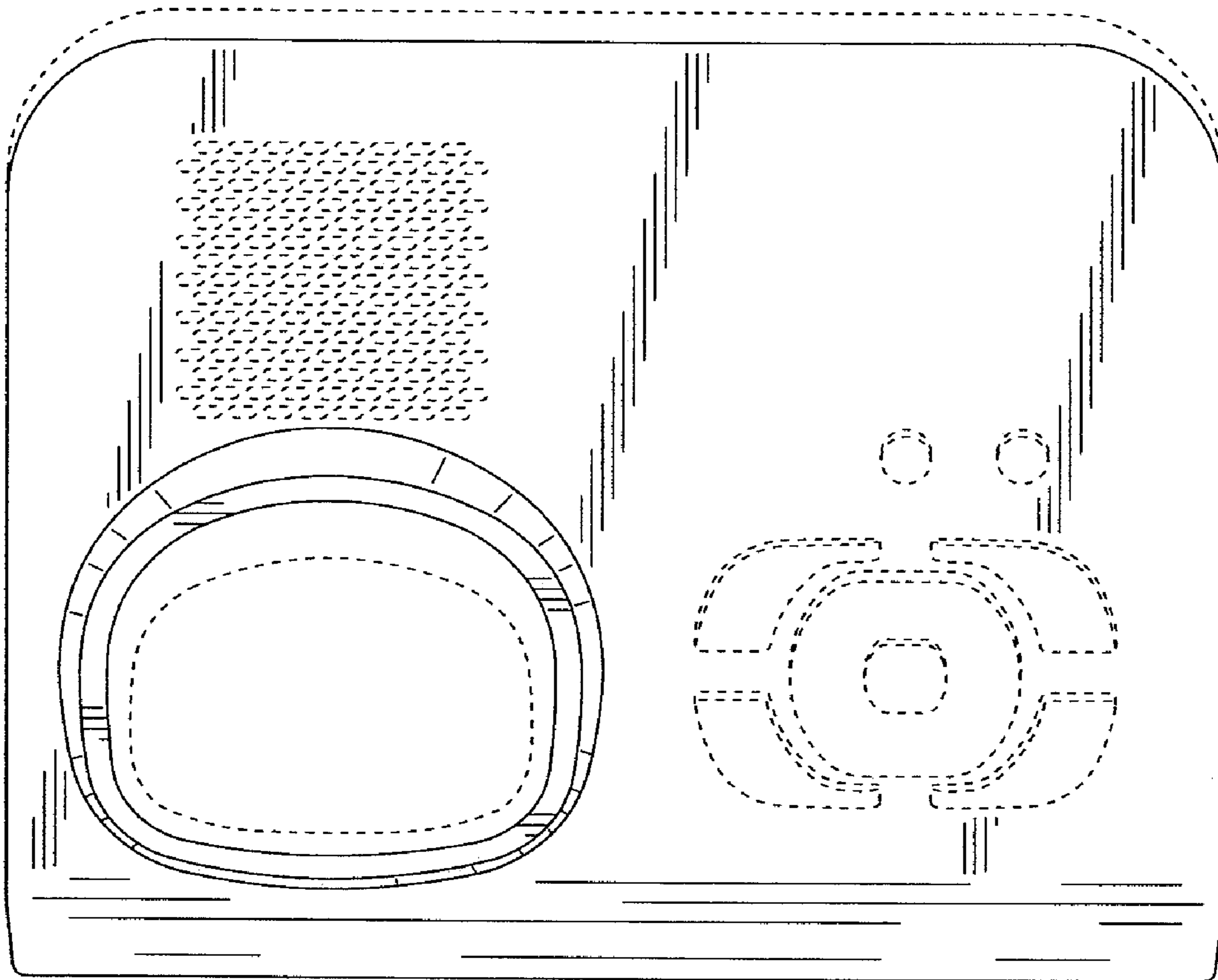


FIG. 7

