

US00D570316S

(12) **United States Design Patent**
Ahn et al.

(10) **Patent No.:** **US D570,316 S**
(45) **Date of Patent:** **** *Jun. 3, 2008**

(54) **MOBILE PHONE**

(75) Inventors: **Ju Hyun Ahn**, Seoul (KR); **Hyun Sook Kim**, Kyunggi-do (KR); **Yoon Young Cho**, Seoul (KR); **Chang Hwan Hwang**, Kyunggi-do (KR)

(73) Assignee: **Samsung Electronics Co., Ltd.** (KR)

(*) Notice: This patent is subject to a terminal disclaimer.

(**) Term: **14 Years**

(21) Appl. No.: **29/259,742**

(22) Filed: **May 15, 2006**

(51) **LOC (8) Cl.** **14-03**

(52) **U.S. Cl.** **D14/138**

(58) **Field of Classification Search** D14/496,
D14/138, 341-347; 455/575.3, 575.1; D21/517,
D21/329, 333

See application file for complete search history.

(56) **References Cited**

U.S. PATENT DOCUMENTS

D455,135 S	*	4/2002	Hyun	D14/138
D486,811 S	*	2/2004	Lheem	D14/138
D496,347 S	*	9/2004	Choi et al.	D14/191
D500,480 S	*	1/2005	Daw	D14/138
D502,161 S	*	2/2005	Kim et al.	D14/138
D504,406 S	*	4/2005	Cho et al.	D14/138
D509,815 S	*	9/2005	Jang	D14/138
D511,336 S	*	11/2005	Kim et al.	D14/138
D512,039 S	*	11/2005	Kim et al.	D14/138
D512,394 S	*	12/2005	Kim et al.	D14/138
D519,098 S	*	4/2006	Han et al.	D14/138
D519,486 S	*	4/2006	Lee et al.	D14/138
D519,970 S	*	5/2006	Kang et al.	D14/138
D519,973 S	*	5/2006	Chung et al.	D14/138

FOREIGN PATENT DOCUMENTS

WO DM/068836 * 4/2007

OTHER PUBLICATIONS

Samsung ZV60 telephone, announced Jul. 2007, [online], [retrieved on Aug. 15, 2007]. Retrieved from Internet , <URL: <http://www.gsmarena.com>>.*

Samsung E780 telephone, announced 1st Quarter 2006, [online], [retrieved on Aug. 16, 2007]. Retrieved from Internet , <URL: <http://www.gsmarena.com>>.*

Samsung D780 telephone, announced Mar. 2006, [online], [retrieved on Aug. 15, 2007]. Retrieved from Internet , <URL: <http://www.gsmarena.com>>.*

(Continued)

Primary Examiner—Jeffrey D Asch

(74) *Attorney, Agent, or Firm*—Irving Keschner

(57) **CLAIM**

The ornamental design for mobile phone, as shown.

DESCRIPTION

FIG. 1 is a perspective view of the ornamental design of the present invention;

FIG. 2 is a front elevational view of the ornamental design of the present invention;

FIG. 3 is a rear elevational view of the ornamental design of the present invention;

FIG. 4 is a left side elevational view of the ornamental design of the present invention;

FIG. 5 is a right side elevational view of the ornamental design of the present invention;

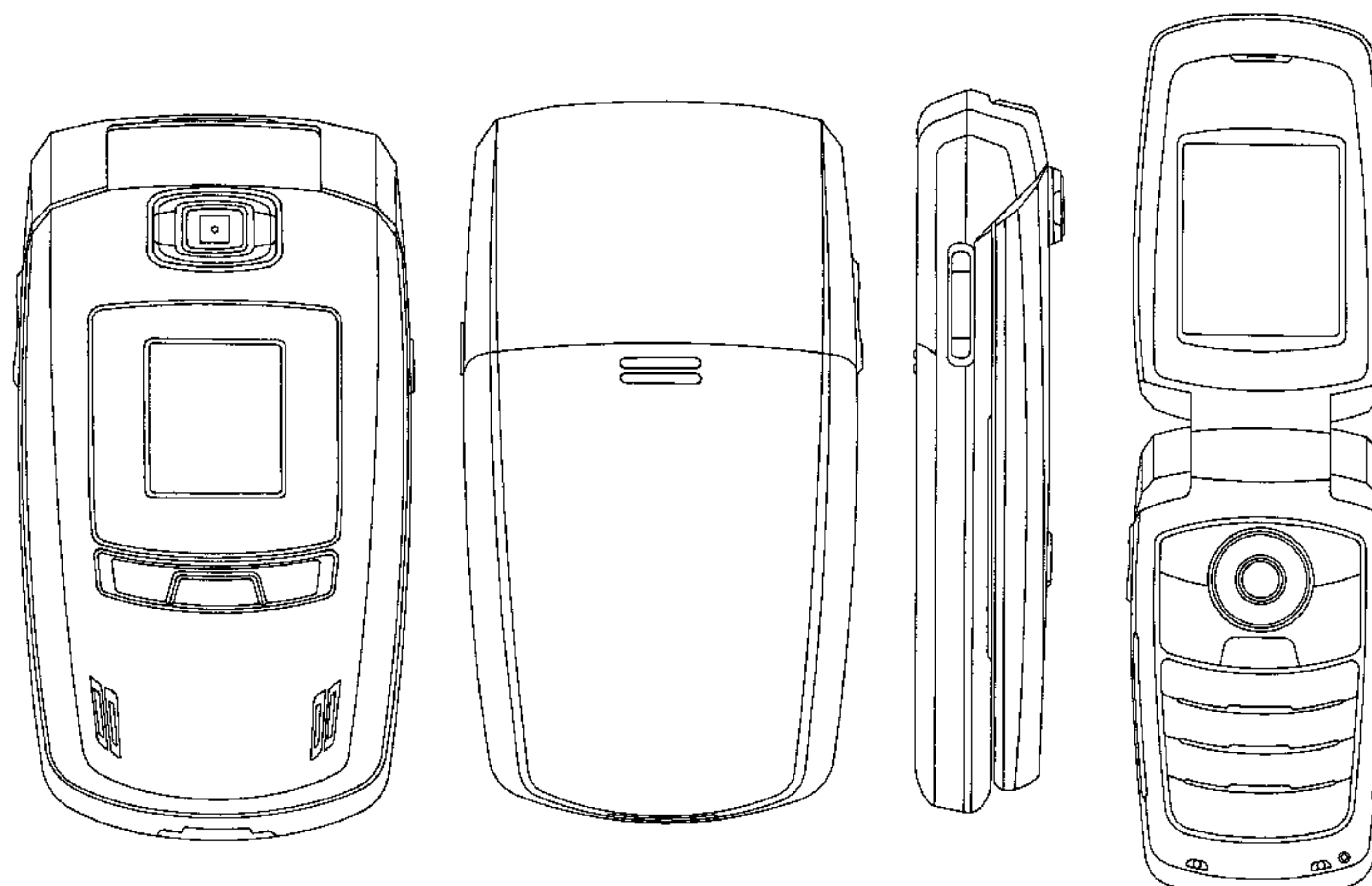
FIG. 6 is a top plan view of the ornamental design of the present invention;

FIG. 7 is a bottom view of the ornamental design of the present invention; and,

FIG. 8 is a perspective view showing the mobile phone in the open position.

(Continued)

1 Claim, 6 Drawing Sheets



US D570,316 S

Page 2

U.S. PATENT DOCUMENTS

D520,978 S * 5/2006 Lee D14/138
D528,091 S * 9/2006 Kim et al. D14/138
D530,296 S * 10/2006 Kim et al. D14/138
D535,635 S * 1/2007 Hwang et al. D14/138
D536,685 S * 2/2007 Feng et al. D14/138
D538,771 S * 3/2007 Bower D14/138
D539,773 S * 4/2007 Kim et al. D14/138
D541,780 S * 5/2007 Park et al. D14/138
D543,185 S * 5/2007 Moon et al. D14/138
D543,526 S * 5/2007 Jung et al. D14/138
D543,965 S * 6/2007 Lee et al. D14/138
D545,285 S * 6/2007 Hong et al. D14/138
2004/0248625 A1* 12/2004 Yoshida et al. 455/575.1
2007/0049357 A1* 3/2007 Daimon et al. 455/575.1
2007/0161415 A1* 7/2007 Sawayama et al. 455/575.3

OTHER PUBLICATIONS

Samsung Z520 telephone, announced Feb. 2006, [online], [retrieved on Aug. 16, 2007]. Retrieved from Internet , <URL: <http://www.gsmarena.com>>.*

Samsung E720 telephone, announced 1st Quarter 2005, [online], [retrieved on Aug. 16, 2007]. Retrieved from Internet , <URL: <http://www.gsmarena.com>>.*

Samsung S500i telephone, announced 4th Quarter 2005, [online], [retrieved on Aug. 16, 2007]. Retrieved from Internet , <URL: <http://www.gsmarena.com>>.*

Asus M303 telephone, announced Mar. 2006, [online], [retrieved on Aug. 22, 2007]. Retrieved from Internet , <URL: <http://www.gsmarena.com>>.*

* cited by examiner

FIG. 1

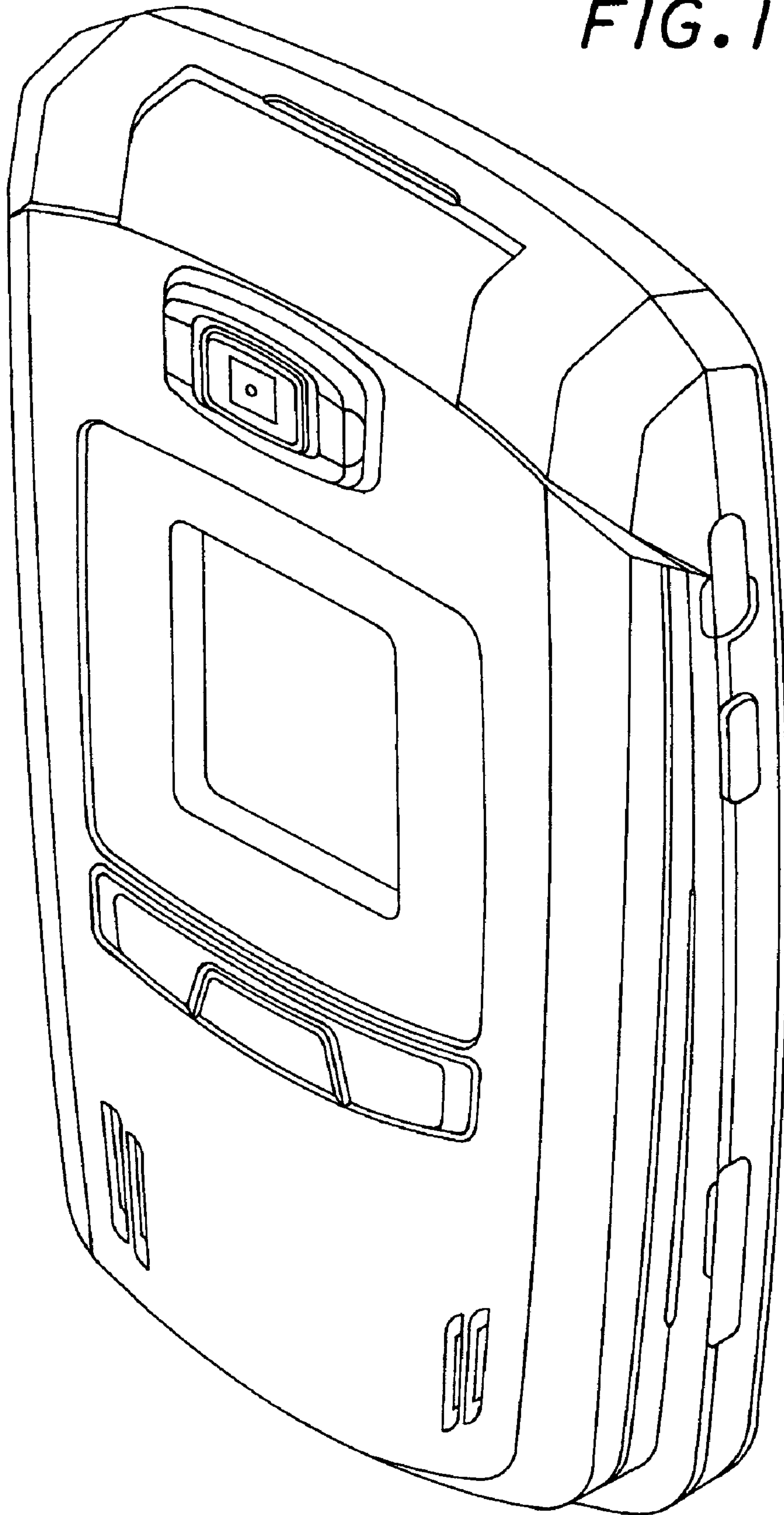


FIG. 2

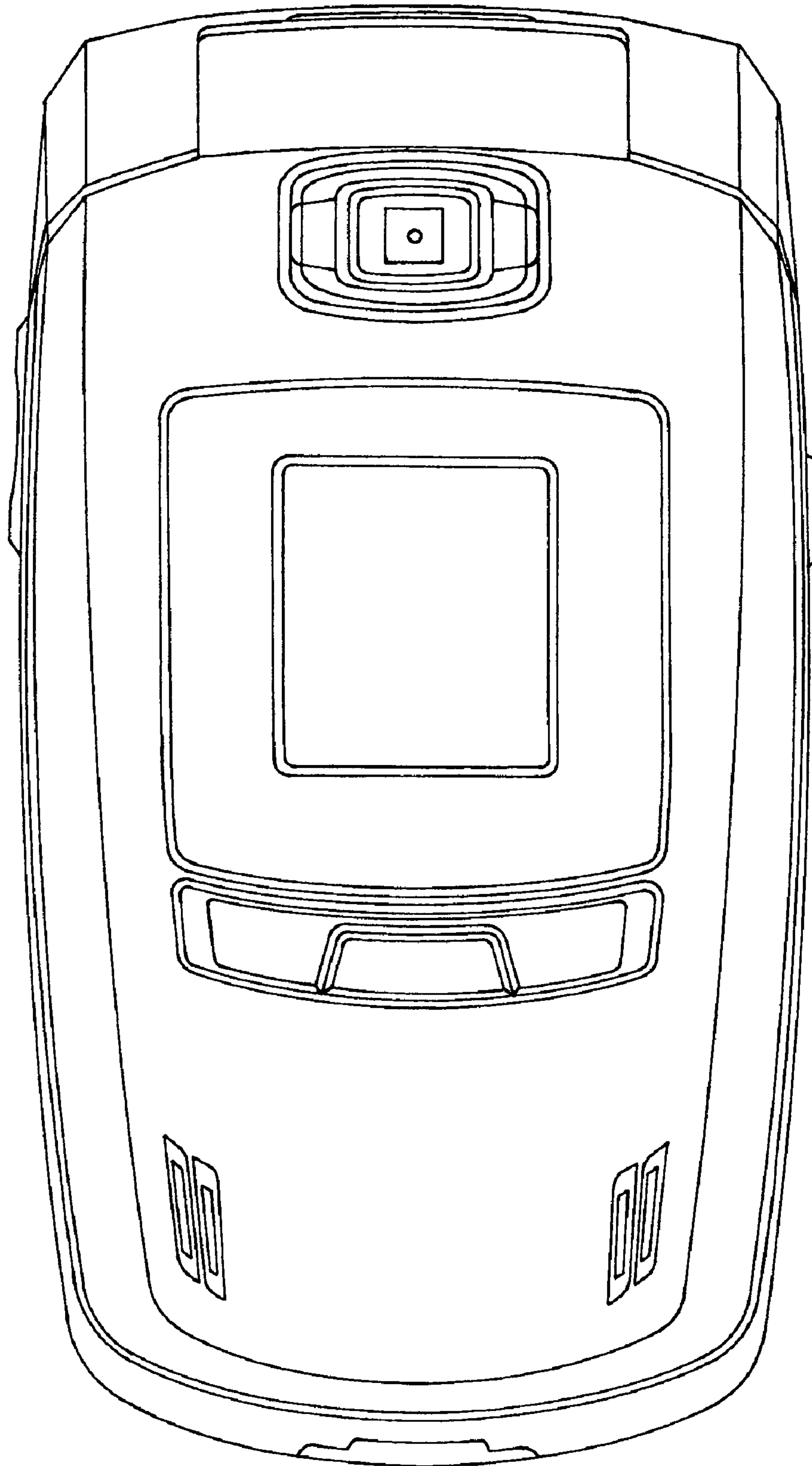


FIG. 3

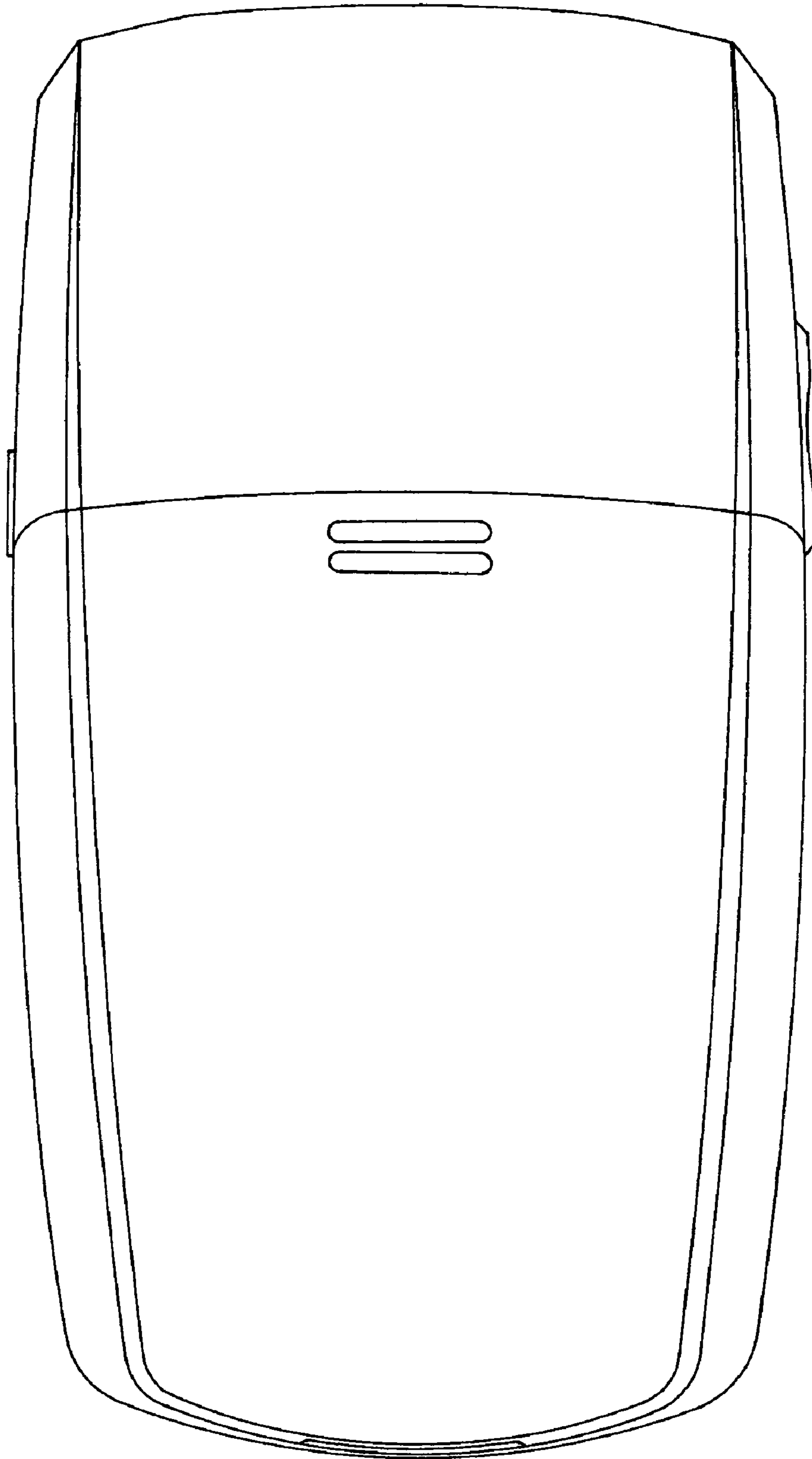


FIG. 4

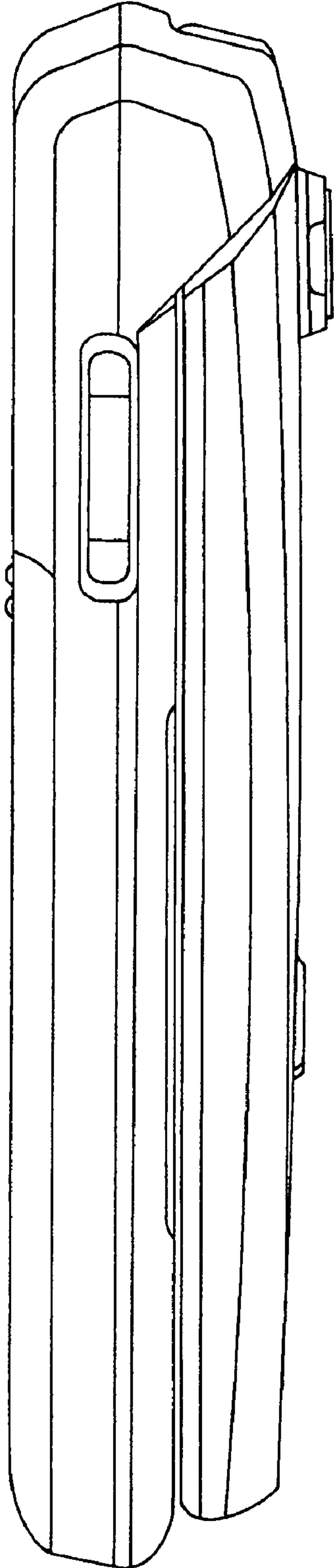


FIG. 5

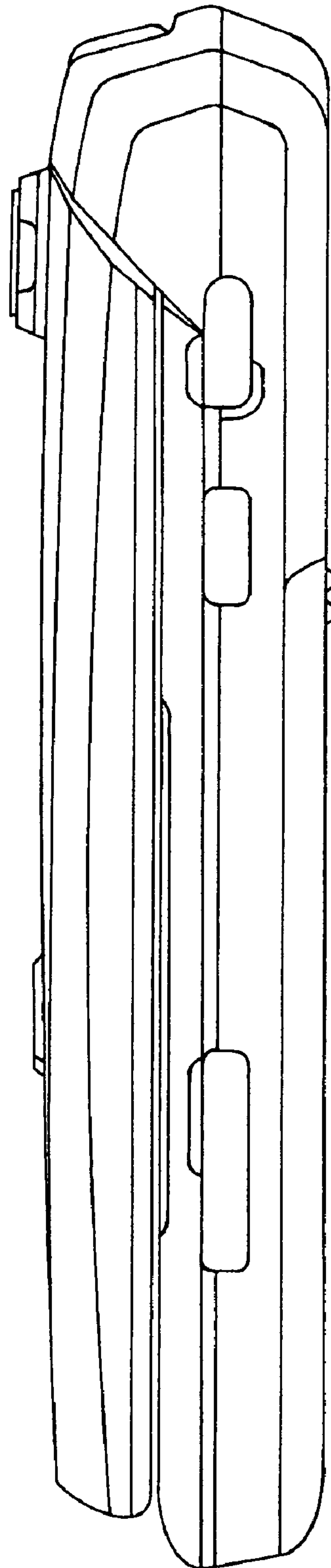


FIG. 6

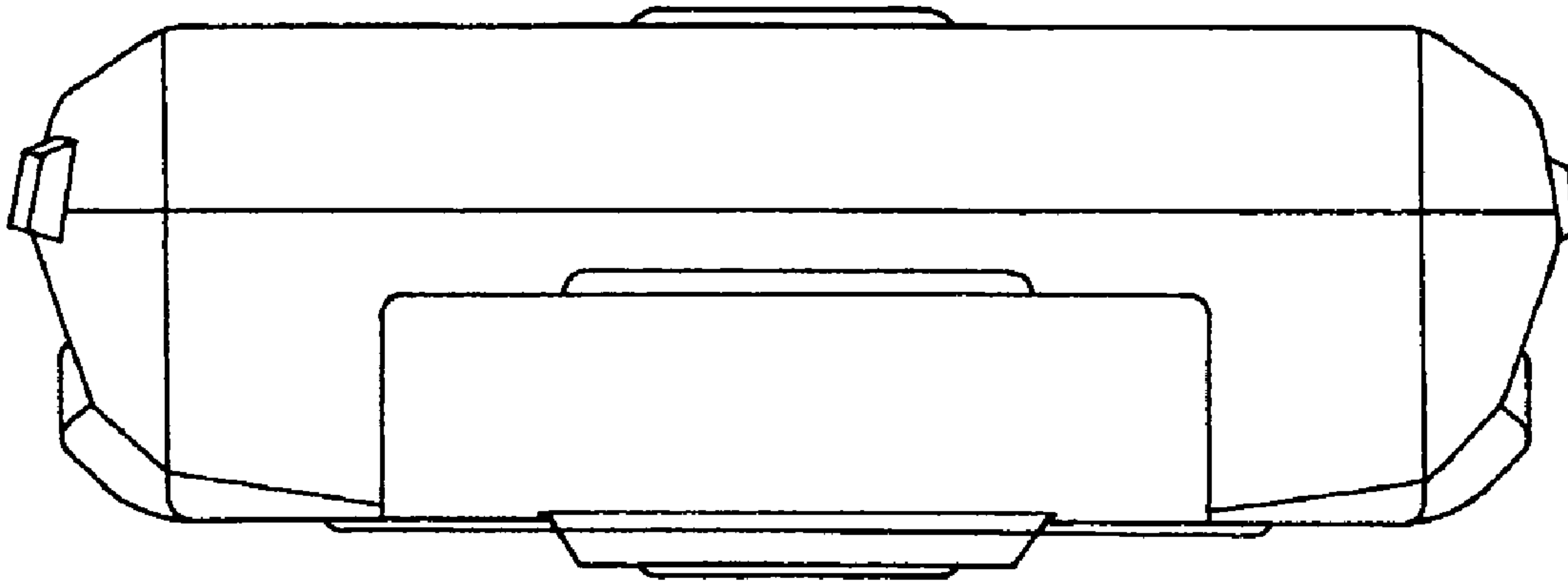


FIG. 7

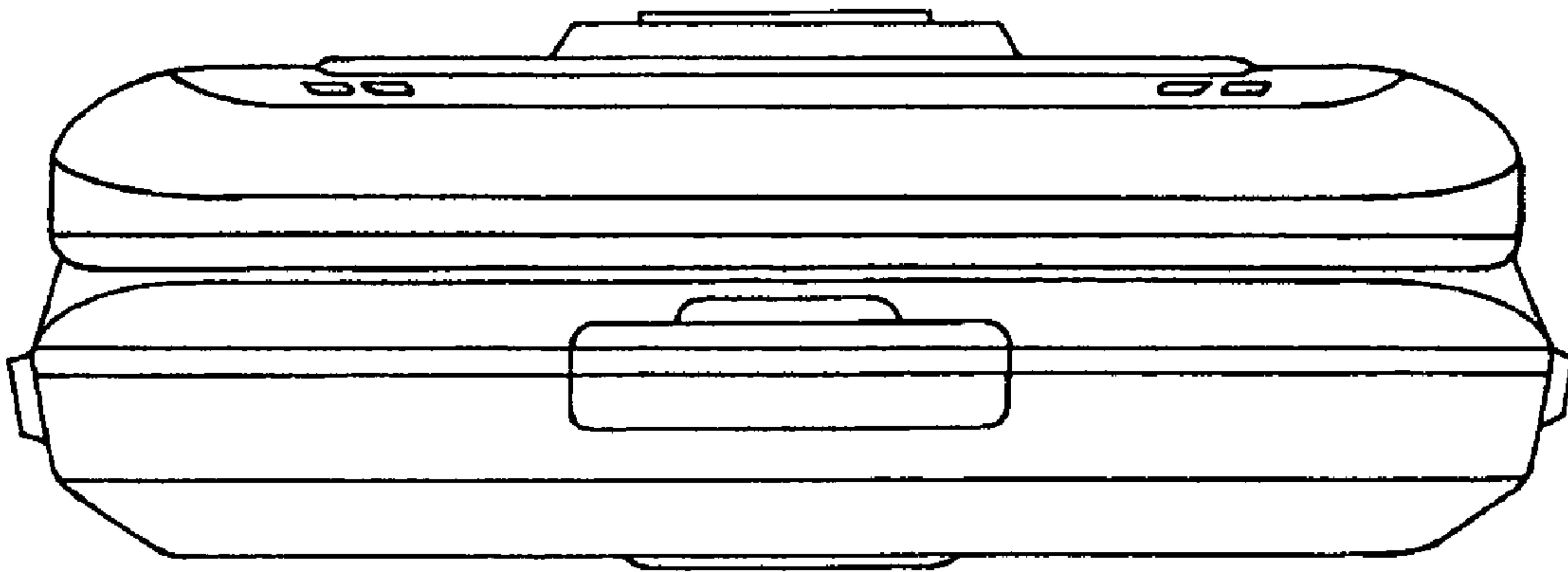


FIG. 8

