



US00D570314S

(12) **United States Design Patent**
Lee

(10) **Patent No.:** **US D570,314 S**
(45) **Date of Patent:** **** Jun. 3, 2008**

(54) **TELEVISION SET**

(75) Inventor: **Chien-Kuo Lee**, Taoyuan (TW)

(73) Assignee: **Hannspree, Inc.**, Taipei (TW)

(**) Term: **14 Years**

(21) Appl. No.: **29/296,402**

(22) Filed: **Oct. 19, 2007**

(51) **LOC (8) Cl.** **14-03**

(52) **U.S. Cl.** **D14/126**

(58) **Field of Classification Search** D14/125-134,
D14/239, 371, 136, 374-377, 440, 450, 448,
D14/336, 342; 312/7.2; 348/836, 838, 180,
348/184, 325, 739; 341/12; 248/917-924,
248/465; 345/104, 133, 156, 168, 87, 173;
720/605, 669, 600, 655; 369/99, 197; 455/344,
455/347; D21/329, 515, 577, 622, 333, 433,
D21/448, 452, 450, 331; D6/477, 479; 273/148 B;
446/484, 175, 356; D10/15, 26

See application file for complete search history.

(56) **References Cited**

U.S. PATENT DOCUMENTS

D156,576 S * 12/1949 Stone D14/129

D319,230 S * 8/1991 Sugiyama D14/133
D342,514 S * 12/1993 Gilmore D6/432
D503,159 S * 3/2005 Esslinger et al. D14/129
D519,471 S * 4/2006 Lin D14/126
D524,766 S * 7/2006 Hoehn D14/126

* cited by examiner

Primary Examiner—Raphael Barkai

(74) *Attorney, Agent, or Firm*—Hamre, Schumann, Mueller
& Larson, P.C.

(57) **CLAIM**

The ornamental design for a television set, as shown and
described.

DESCRIPTION

FIG. 1 is a front perspective view of a television set in
accordance with my invention thereof;

FIG. 2 is a front elevational view thereof;

FIG. 3 is a rear elevational view thereof;

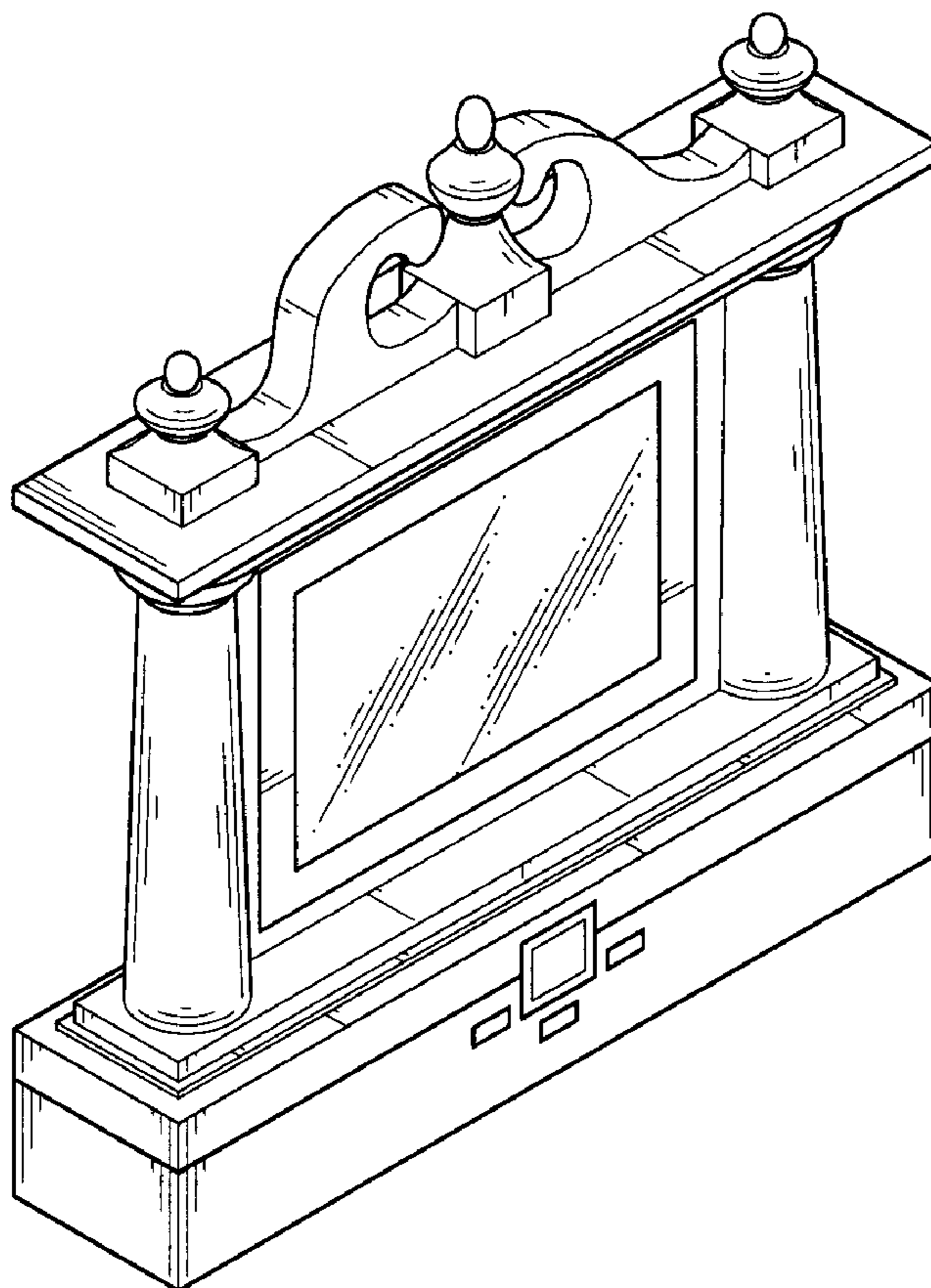
FIG. 4 is a left side elevational view thereof;

FIG. 5 is a right side elevational view thereof;

FIG. 6 is a top plan view thereof; and,

FIG. 7 is a bottom plan view thereof;

1 Claim, 7 Drawing Sheets



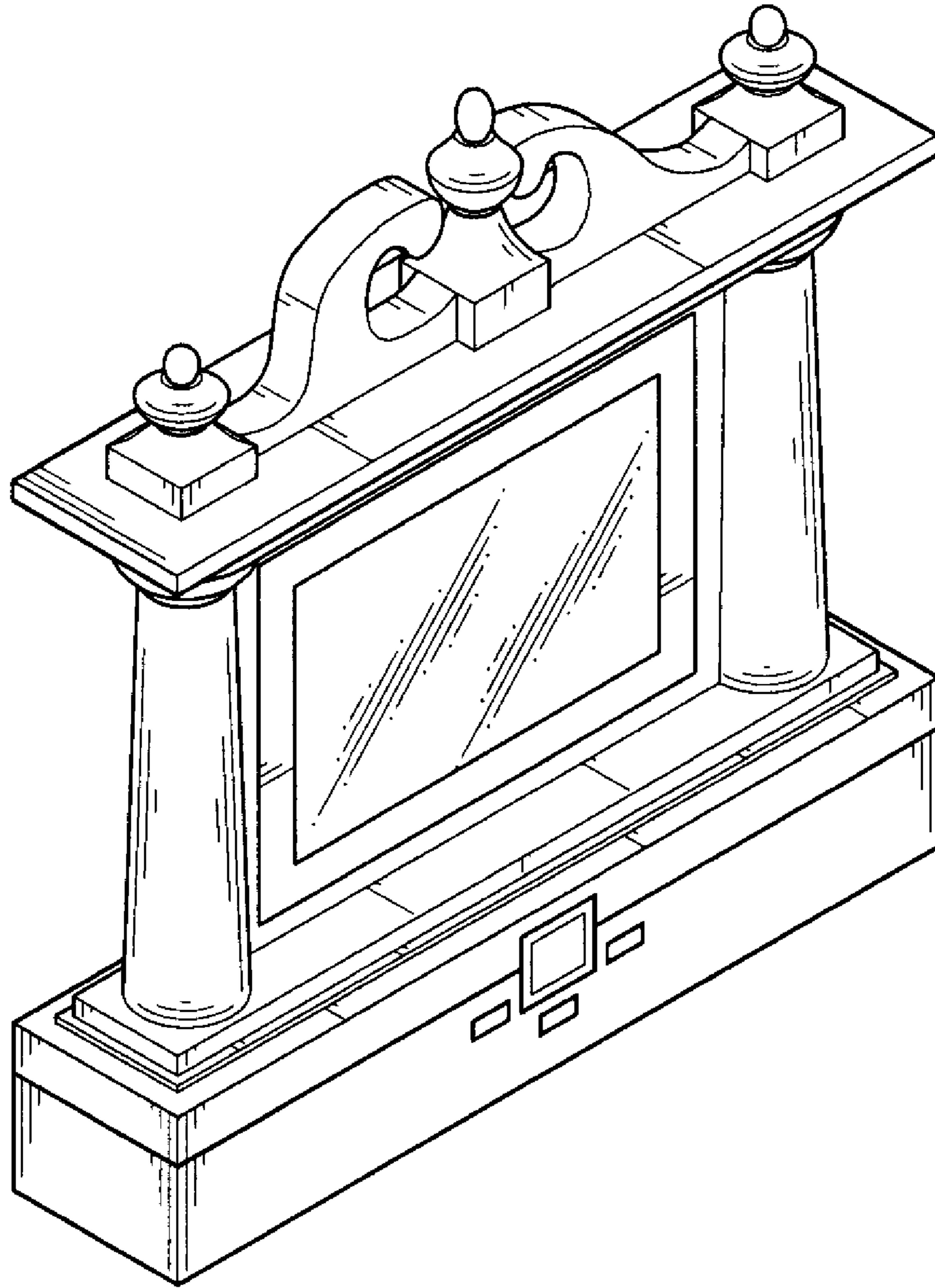


FIG. 1

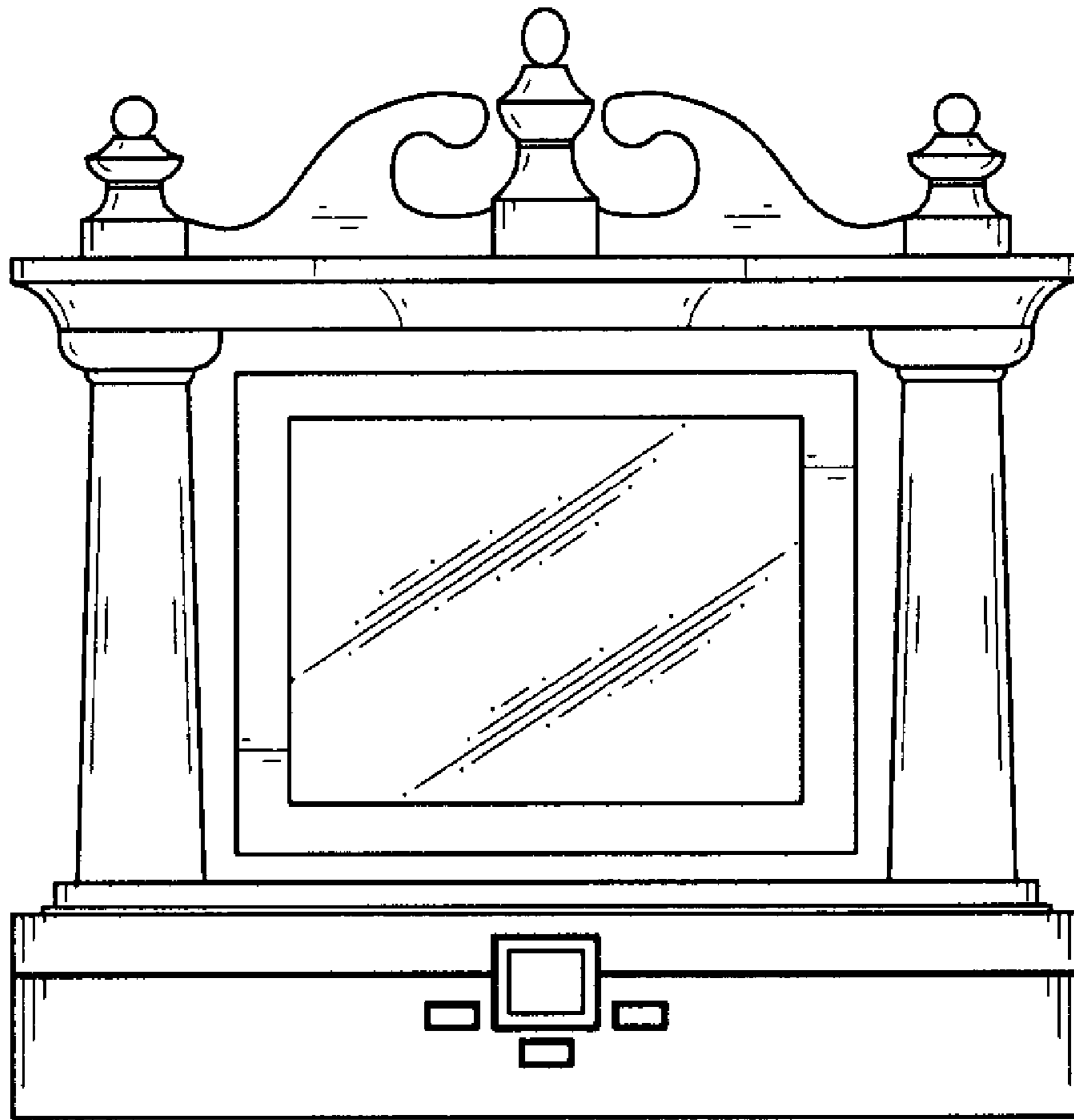


FIG. 2

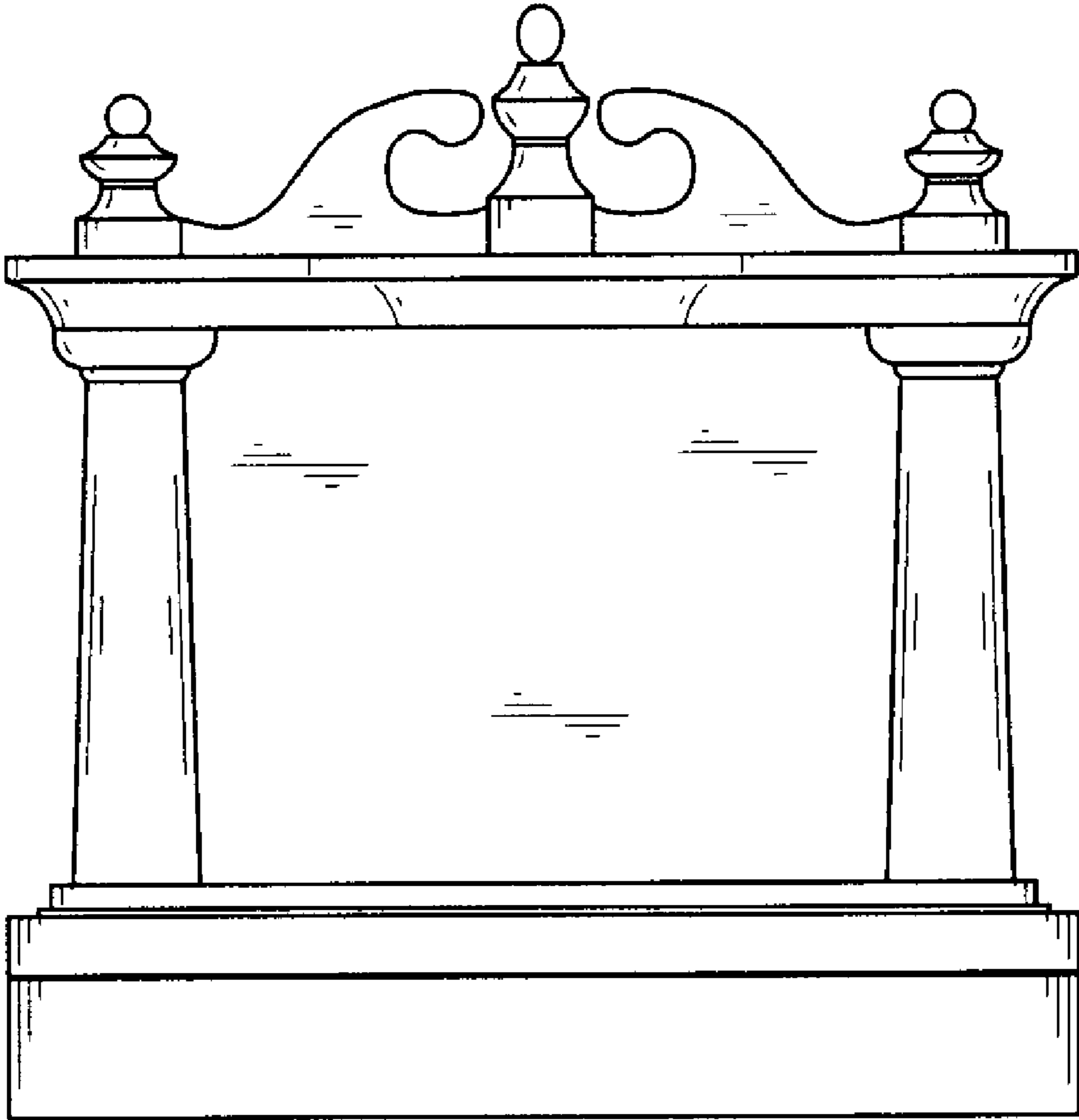


FIG. 3

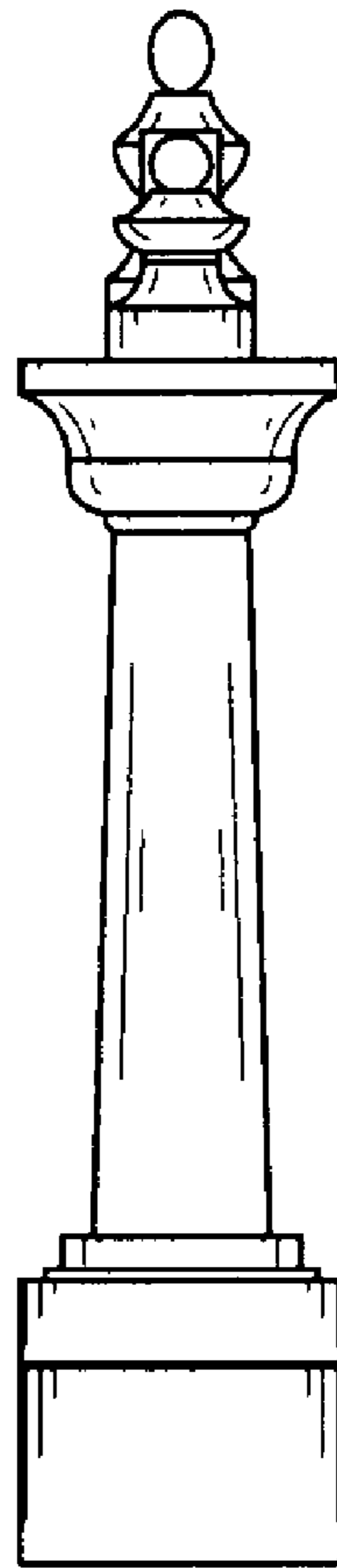


FIG. 4

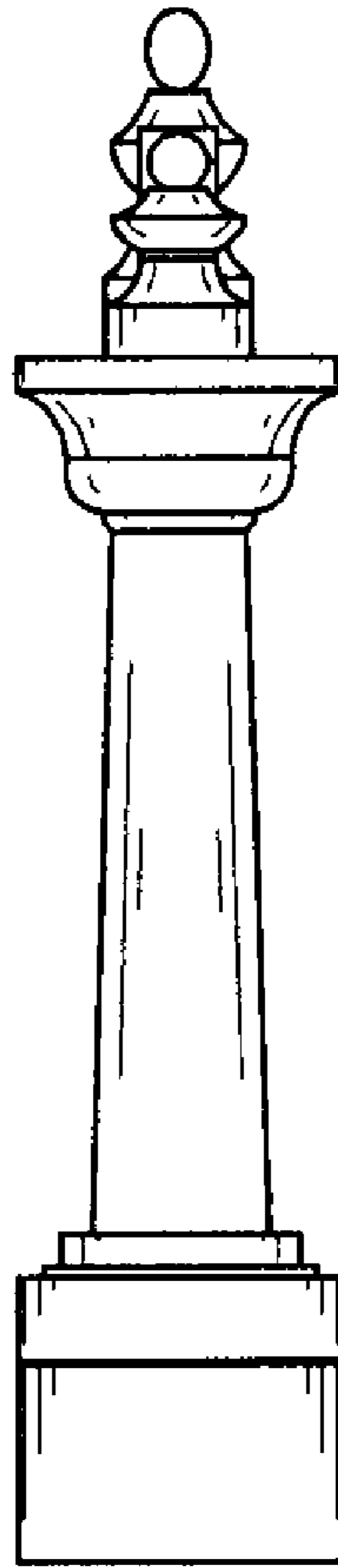


FIG. 5

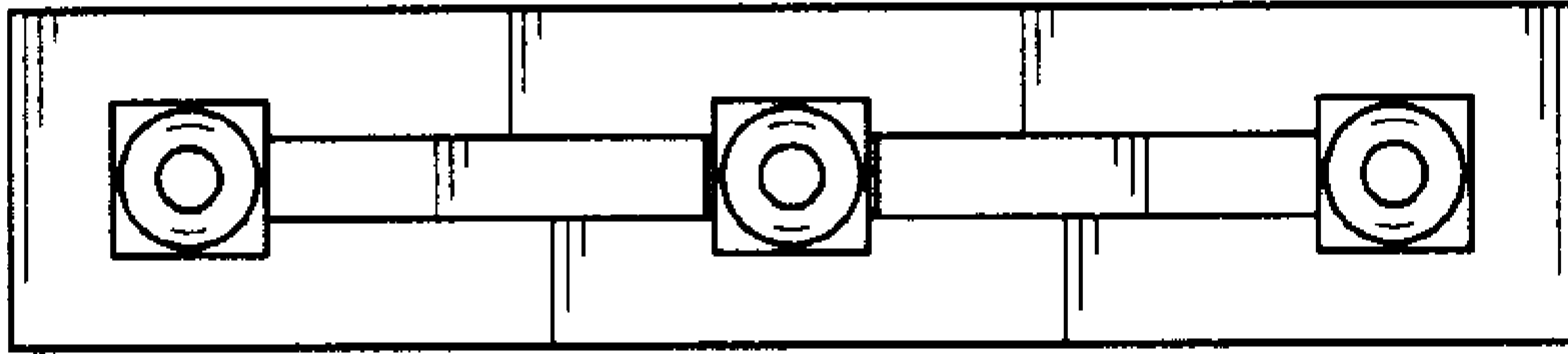


FIG. 6

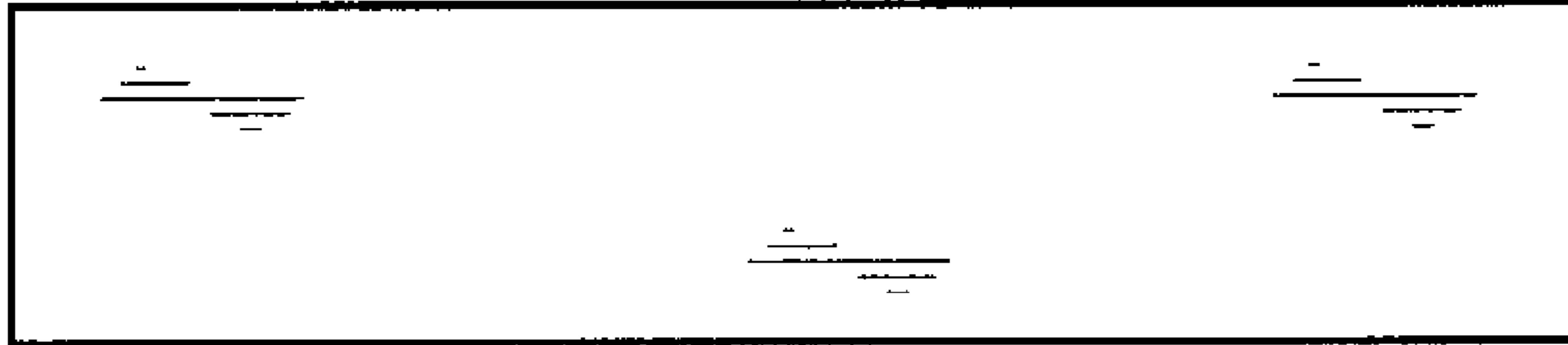


FIG. 7