



US00D570313S

(12) **United States Design Patent**  
**Shih et al.**

(10) **Patent No.:** **US D570,313 S**  
(45) **Date of Patent:** **\*\* Jun. 3, 2008**

(54) **DISPLAY**  
(75) Inventors: **Wei-Ming Shih**, Chung Ho (TW);  
**Ming-Sung Lin**, Chung Ho (TW)  
(73) Assignee: **AmTRAN Technology Co. Ltd.**,  
Chung Ho (TW)

D483,020 S \* 12/2003 Nagao et al. .... D14/126  
D555,119 S \* 11/2007 Shih ..... D14/126  
D555,120 S \* 11/2007 Shih et al. .... D14/126  
D562,274 S \* 2/2008 Wang ..... D14/126

(\*\*) Term: **14 Years**  
(21) Appl. No.: **29/274,871**

\* cited by examiner  
*Primary Examiner*—Raphael Barkai  
(74) *Attorney, Agent, or Firm*—Birch, Stewart, Kolasch &  
Birch, LLP

(22) Filed: **Jun. 4, 2007**

(57) **CLAIM**

(51) **LOC (8) Cl.** ..... **14-03**  
(52) **U.S. Cl.** ..... **D14/126**  
(58) **Field of Classification Search** ..... D14/125–134,  
D14/239, 371, 136, 374–377, 440, 450, 448,  
D14/336, 342; 312/7.2; 348/836, 838, 180,  
348/184, 325, 739; 341/12; 248/917–924,  
248/465; 345/104, 133, 156, 168, 87, 173;  
720/605, 669, 600, 655; 369/99, 197; 455/344,  
455/347; D21/329, 515, 577, 622, 333, 433,  
D21/448, 452, 450, 331; D6/477, 479; 273/148 B;  
446/484, 175, 356; D10/15, 26  
See application file for complete search history.

The ornamental design for a display, as shown.

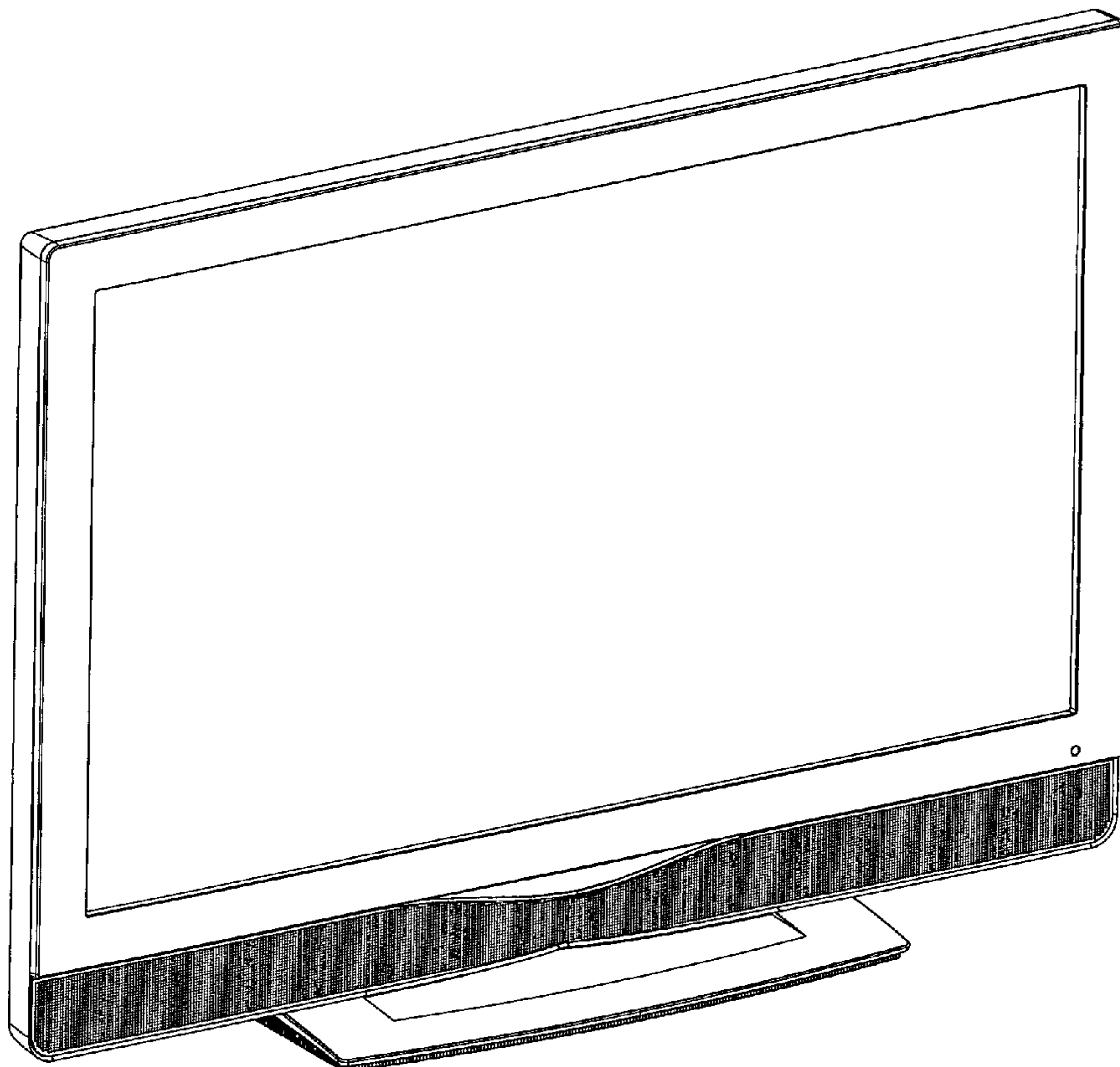
**DESCRIPTION**

(56) **References Cited**  
U.S. PATENT DOCUMENTS

FIG. 1 is a perspective view of a display showing our design;  
FIG. 2 is another perspective view thereof;  
FIG. 3 is a front elevational view thereof;  
FIG. 4 is a rear elevational view thereof;  
FIG. 5 is a top plan view thereof;  
FIG. 6 is a bottom plan view thereof;  
FIG. 7 is a left side elevational view thereof; and,  
FIG. 8 is a right side elevational view thereof.

D474,452 S \* 5/2003 Kanatani ..... D14/126

**1 Claim, 5 Drawing Sheets**



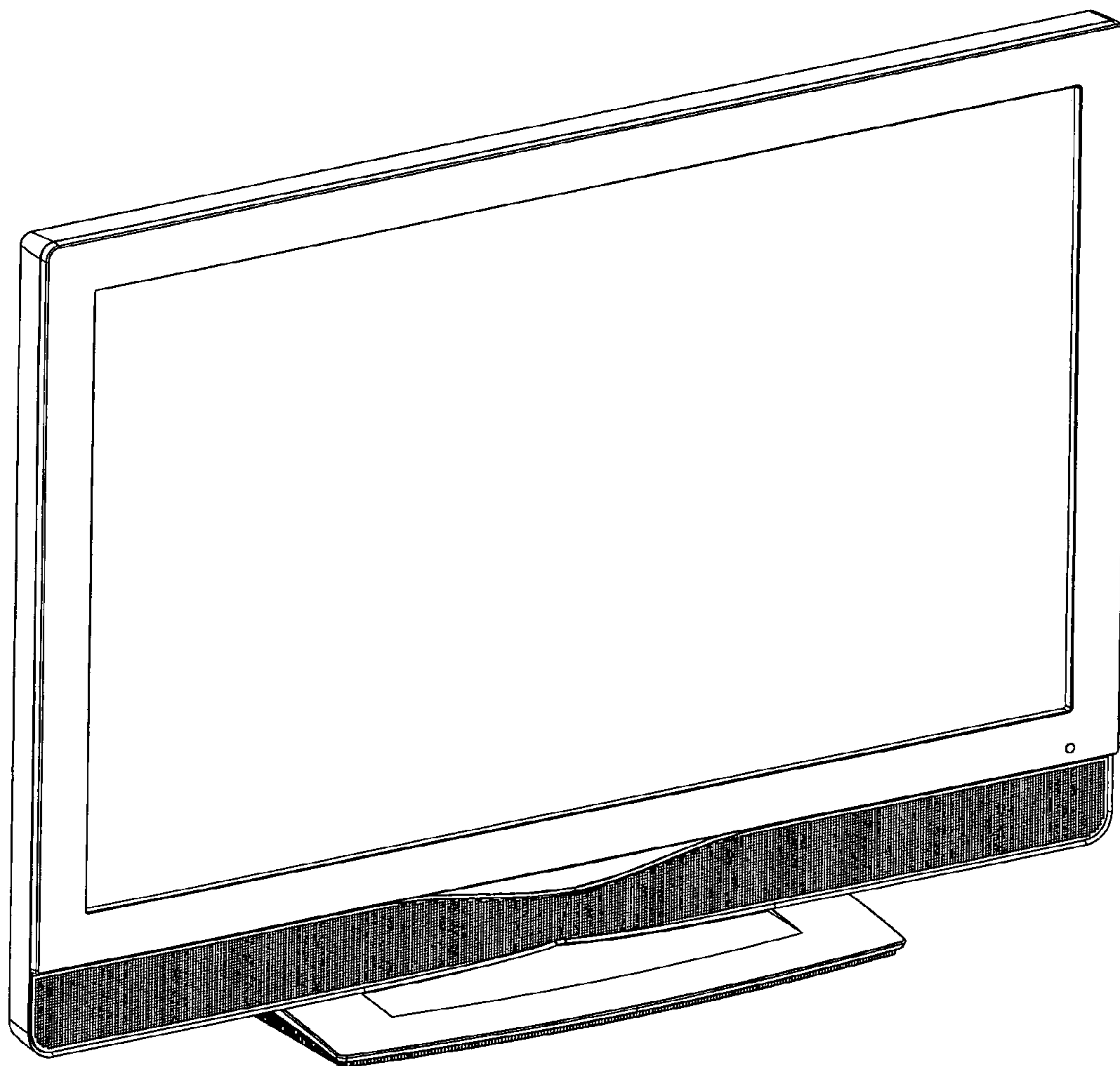


FIG. 1

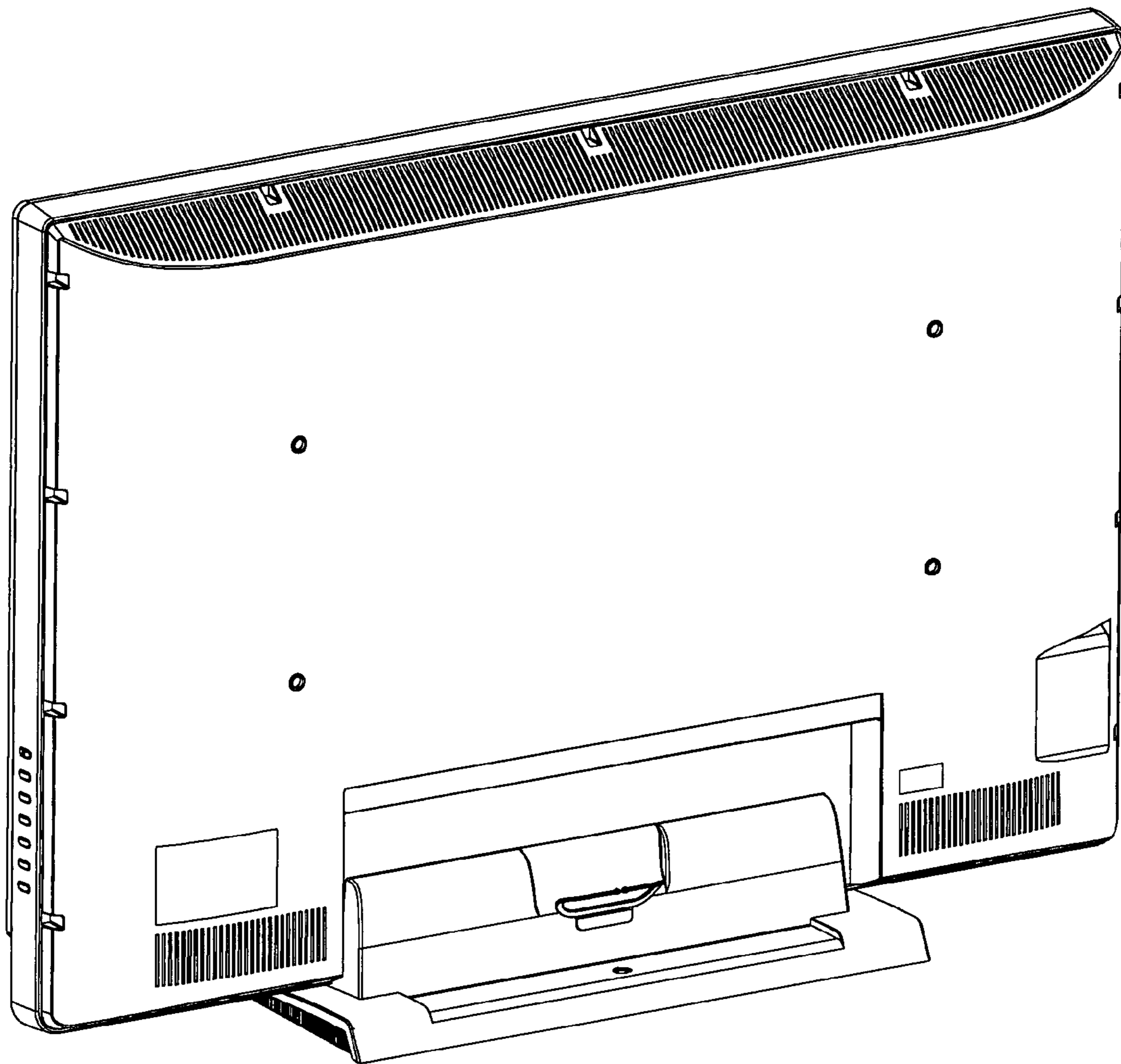


FIG. 2

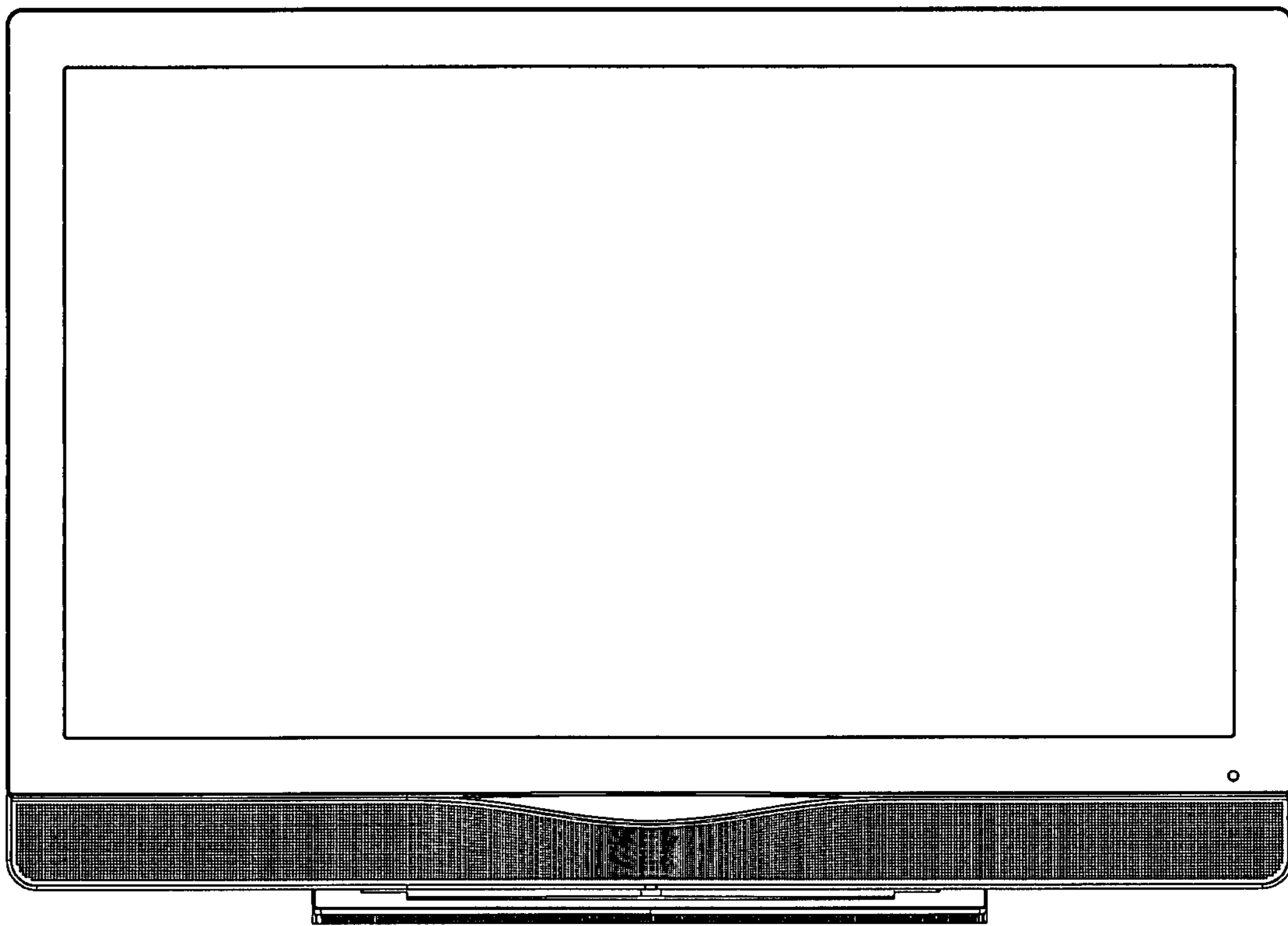


FIG. 3

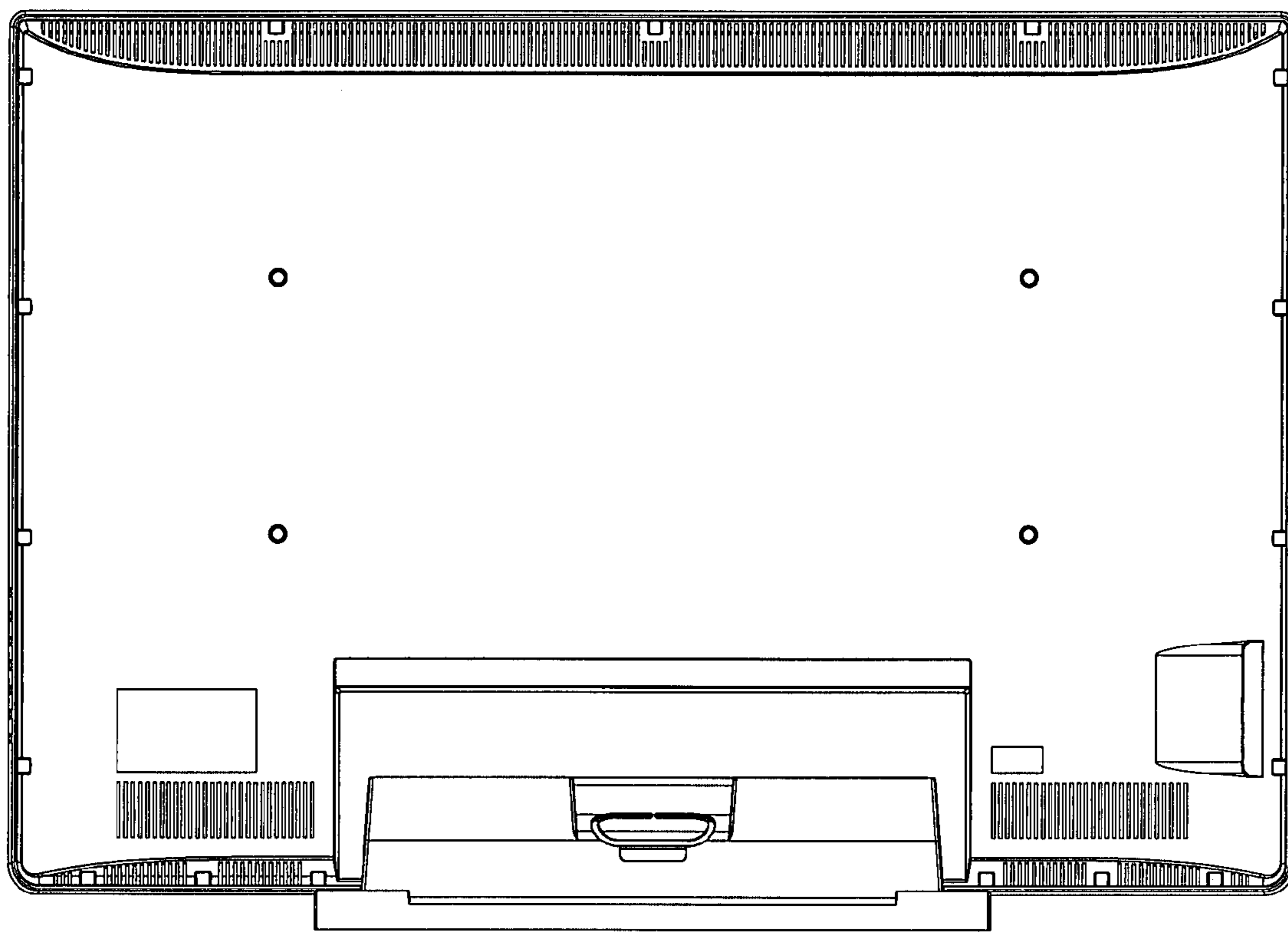


FIG. 4



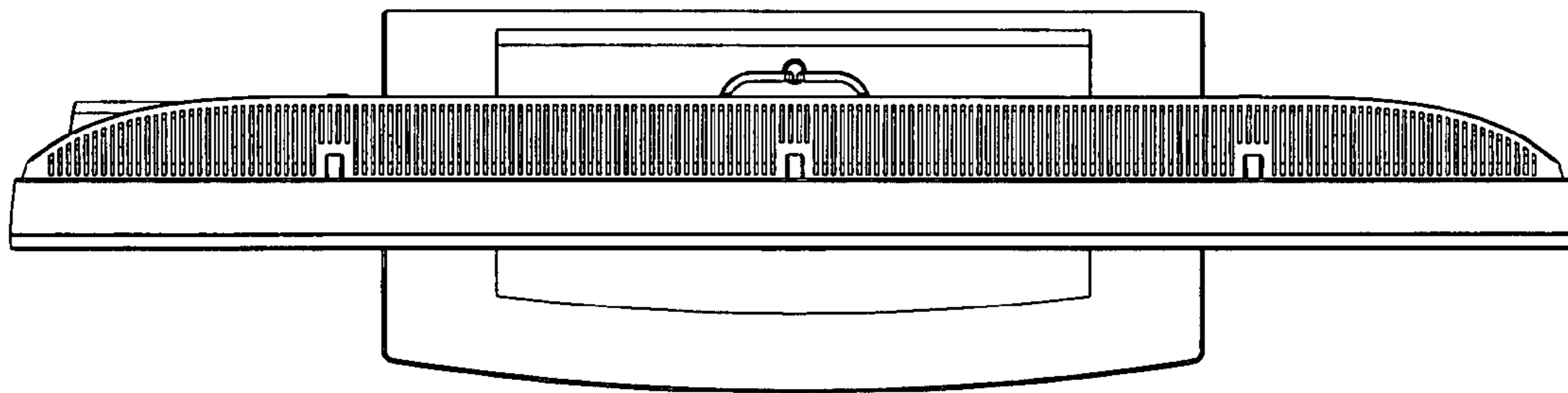


FIG. 5

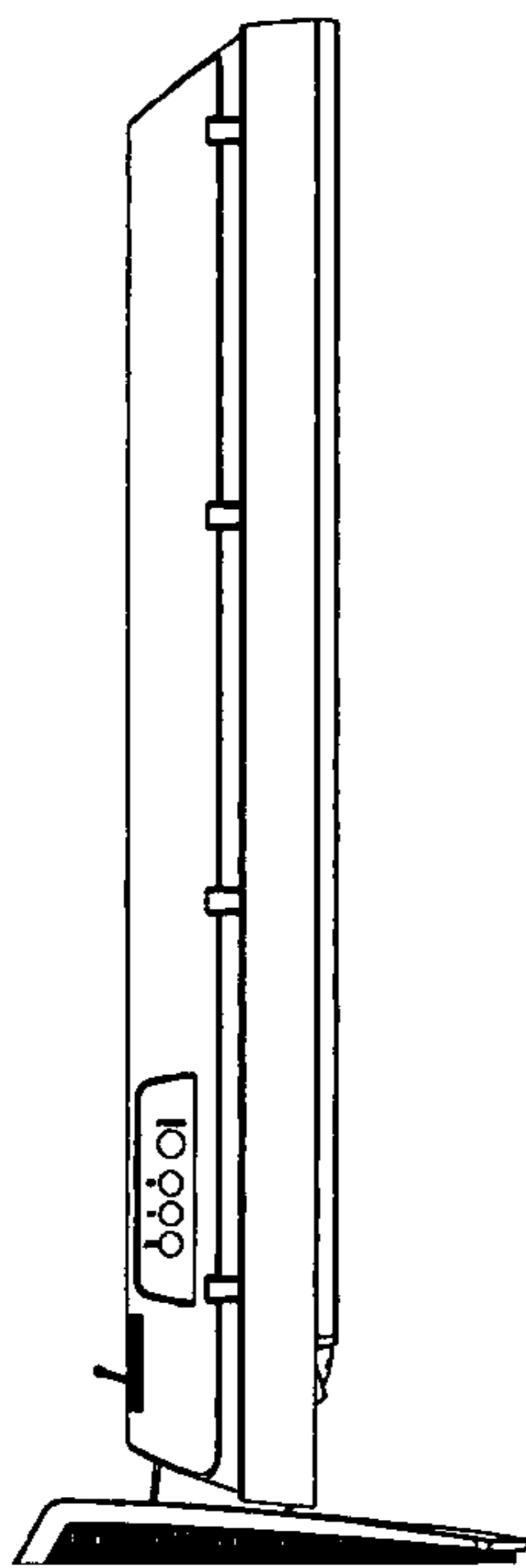


FIG. 7

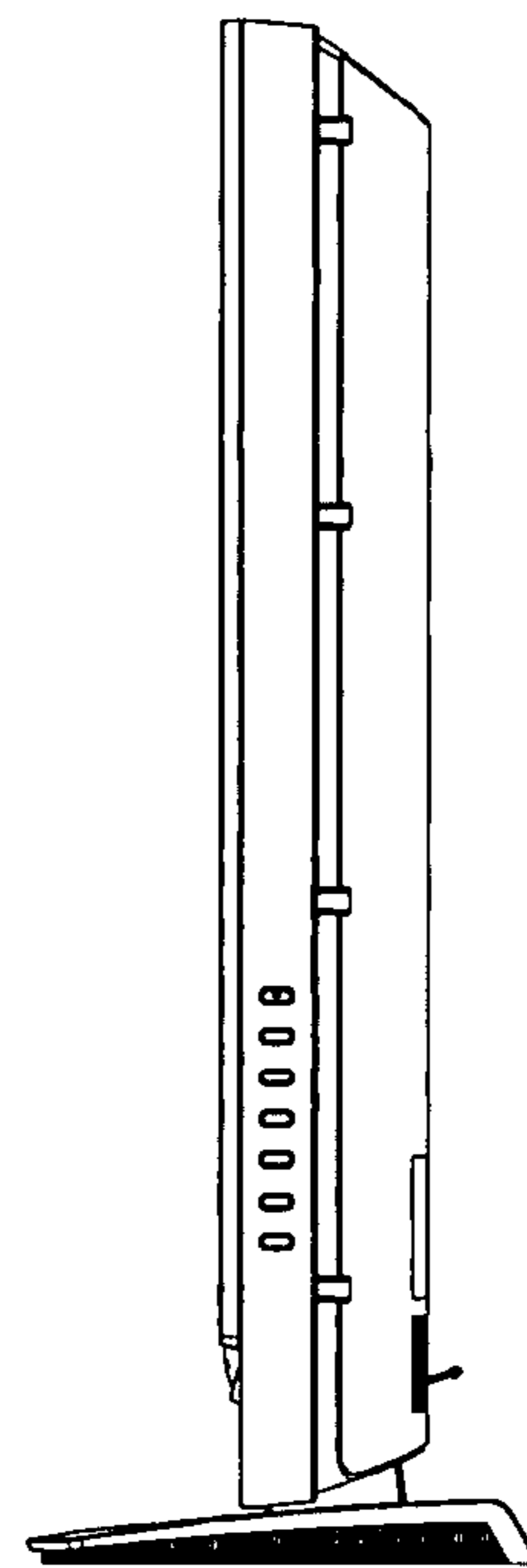


FIG. 8

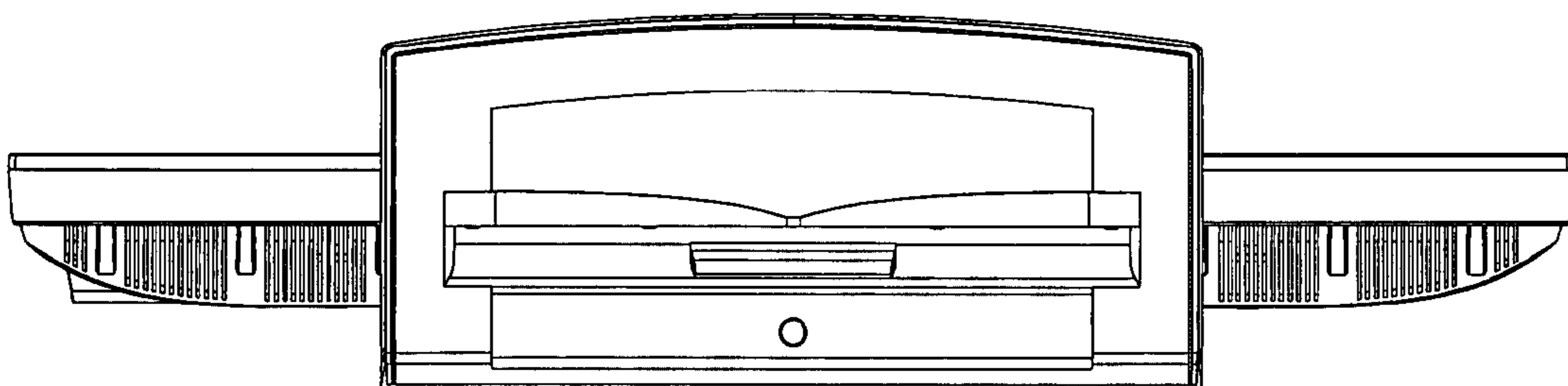


FIG. 6