

US00D570310S

(12) **United States Design Patent**  
**Sasaki**

(10) **Patent No.:** **US D570,310 S**

(45) **Date of Patent:** **\*\* Jun. 3, 2008**

(54) **ATTRACTING PLATE OF AN  
ELECTROSTATIC CHUCK FOR  
SEMICONDUCTOR MANUFACTURING**

2005/0252447 A1\* 11/2005 Zhao et al. .... 118/715  
2006/0002053 A1\* 1/2006 Brown et al. .... 361/234  
2006/0221539 A1\* 10/2006 Morita et al. .... 361/234

(75) Inventor: **Yasuharu Sasaki**, Nirasaki (JP)

\* cited by examiner

(73) Assignee: **Tokyo Electron Limited**, Tokyo (JP)

*Primary Examiner*—Selina Sikder

(\*\*) Term: **14 Years**

(74) *Attorney, Agent, or Firm*—Oblon, Spivak, McClelland,  
Maier & Neustadt, P.C.

(21) Appl. No.: **29/276,679**

(57) **CLAIM**

(22) Filed: **Feb. 1, 2007**

The ornamental design for an attracting plate of an electro-  
static chuck for semiconductor manufacturing, as shown and  
described.

(30) **Foreign Application Priority Data**

Aug. 1, 2006 (JP) ..... 2006-020298

**DESCRIPTION**

(51) **LOC (8) Cl.** ..... **13-03**

FIG. 1 is a front elevational view of an attracting plate of an  
electrostatic chuck for semiconductor manufacturing, or the  
like, showing my new design;

(52) **U.S. Cl.** ..... **D13/182**

(58) **Field of Classification Search** ..... D13/182;  
156/345.53; 279/128; 361/234

FIG. 2 is a rear elevational view thereof;

See application file for complete search history.

FIG. 3 is a top plan view thereof, the bottom plan view being  
a mirror image of the plan view shown;

(56) **References Cited**

**U.S. PATENT DOCUMENTS**

5,671,116 A \* 9/1997 Husain ..... 361/234  
6,278,600 B1 \* 8/2001 Shamouilian et al. .... 361/234  
D546,784 S \* 7/2007 Hayashi ..... D13/182  
D548,200 S \* 8/2007 Hayashi ..... D13/182  
D548,705 S \* 8/2007 Hayashi ..... D13/182  
2004/0212947 A1\* 10/2004 Nguyen et al. .... 361/234

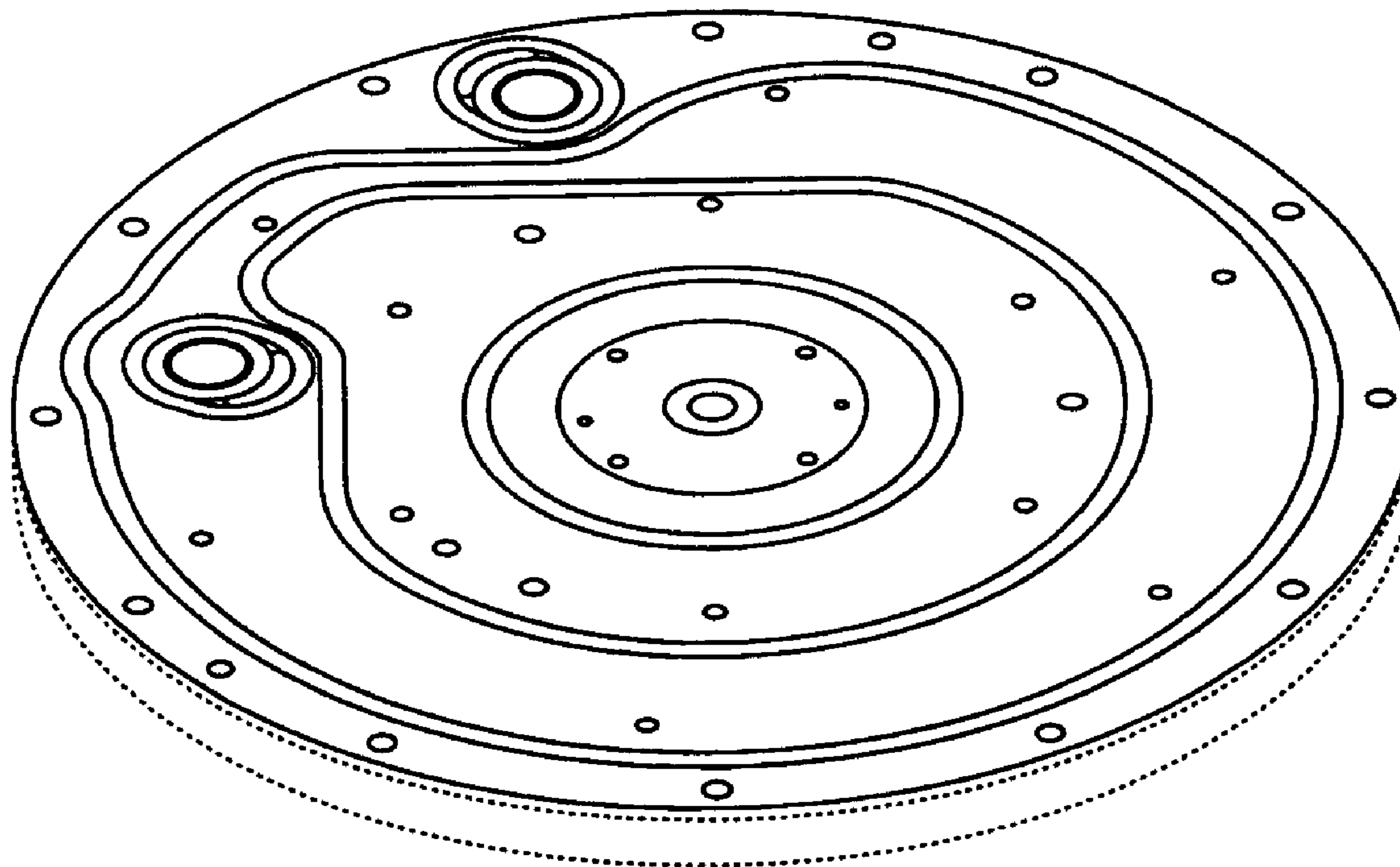
FIG. 4 is a right side elevational view thereof;

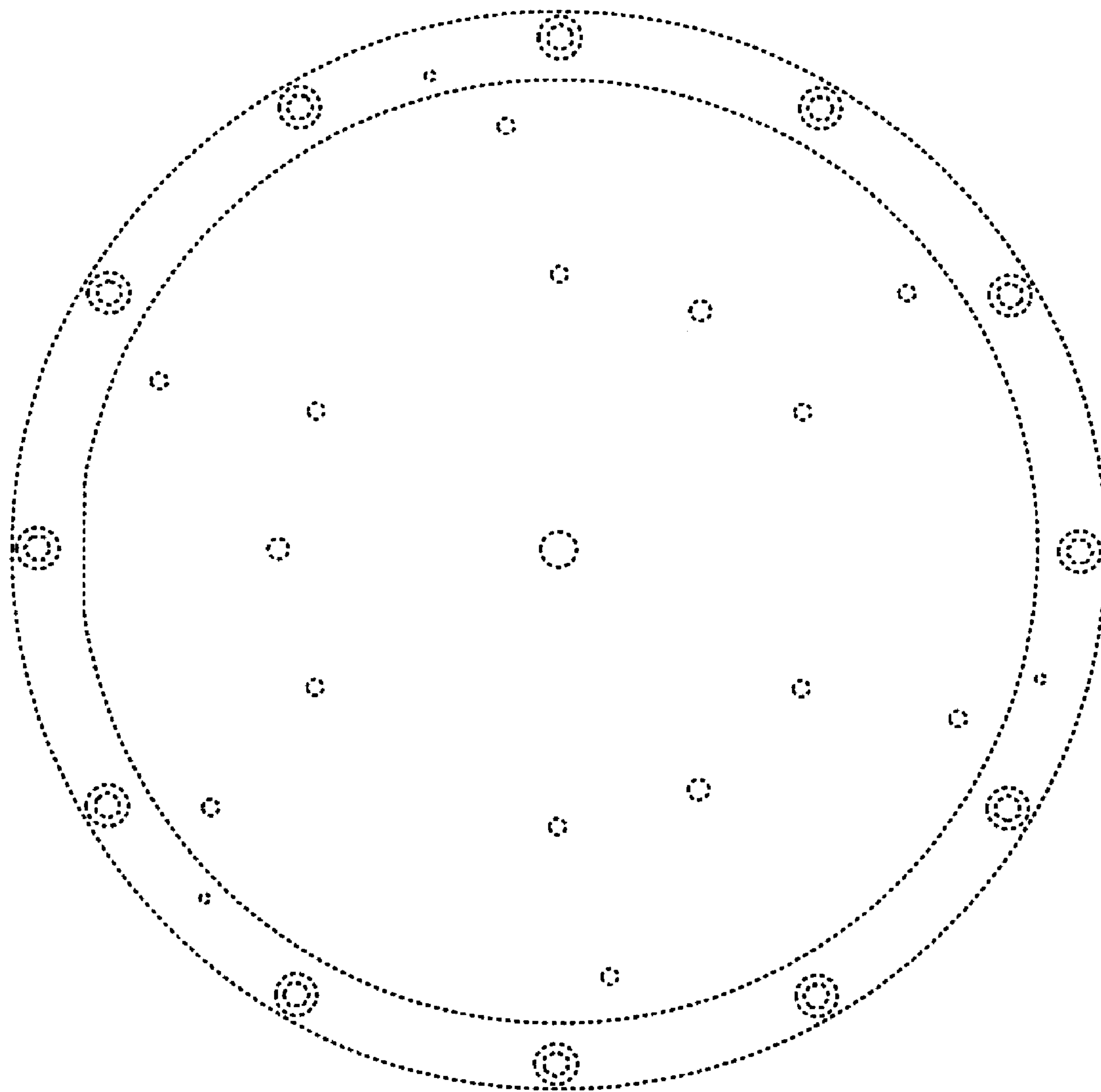
FIG. 5 is a left side elevational view thereof; and,

FIG. 6 is a bottom, rear and lower perspective view thereof.

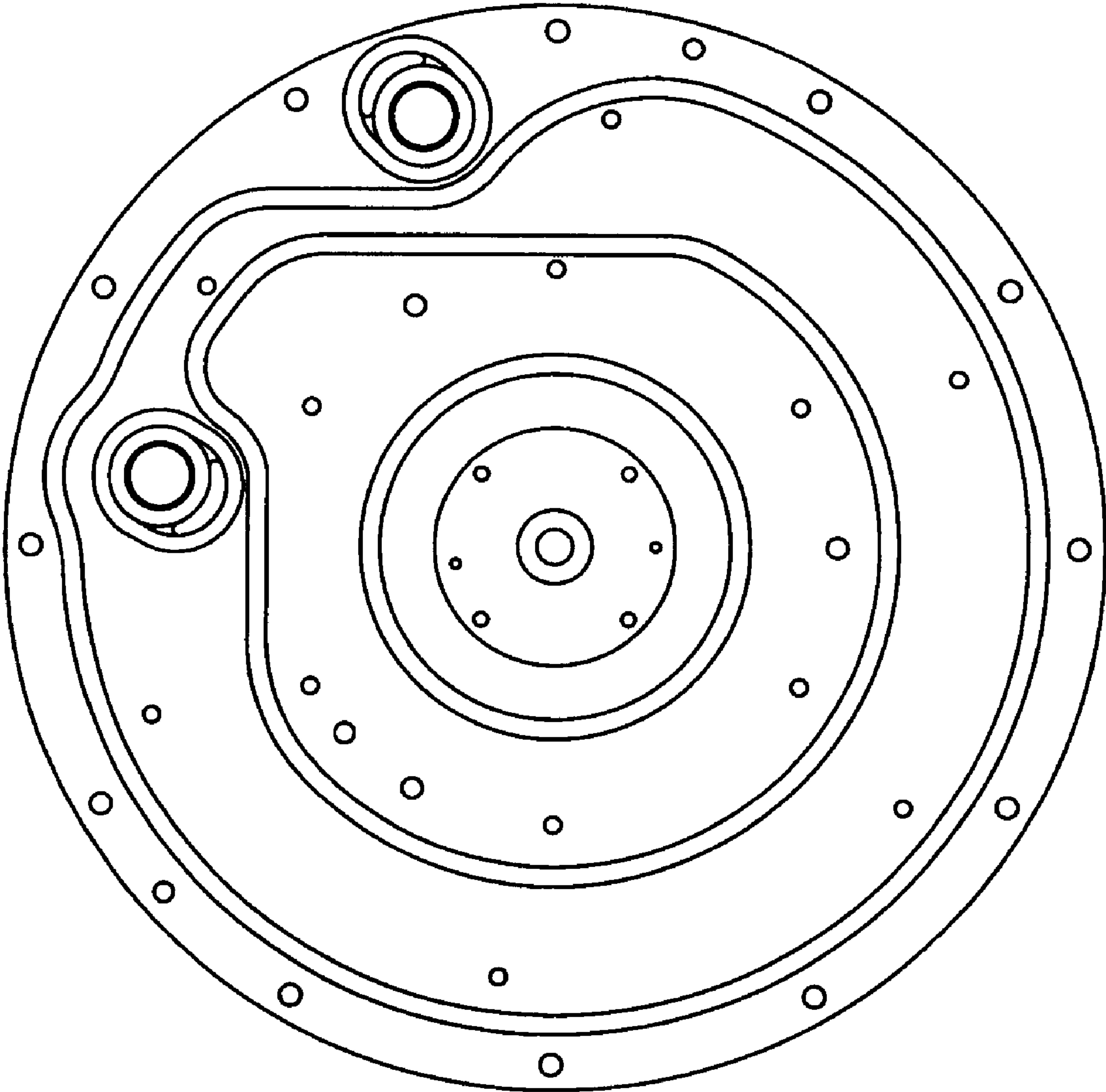
The broken line showing in the figures is for illustrative  
purposes only and forms no part of the claimed design.

**1 Claim, 6 Drawing Sheets**

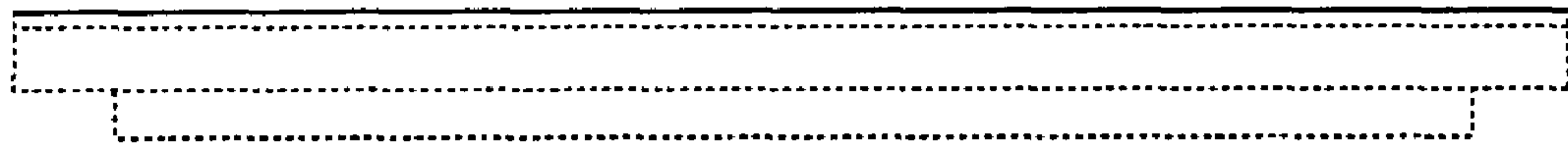




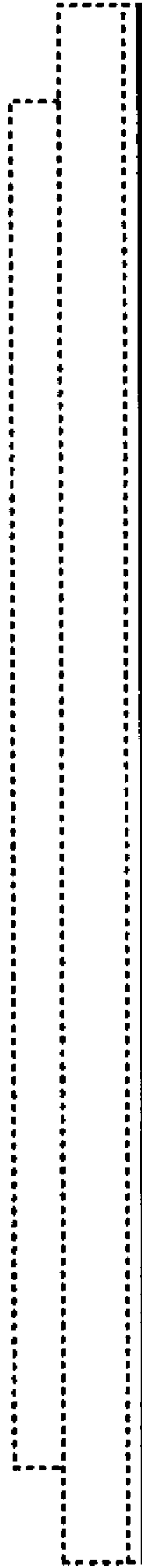
***FIG. 1***



**FIG. 2**



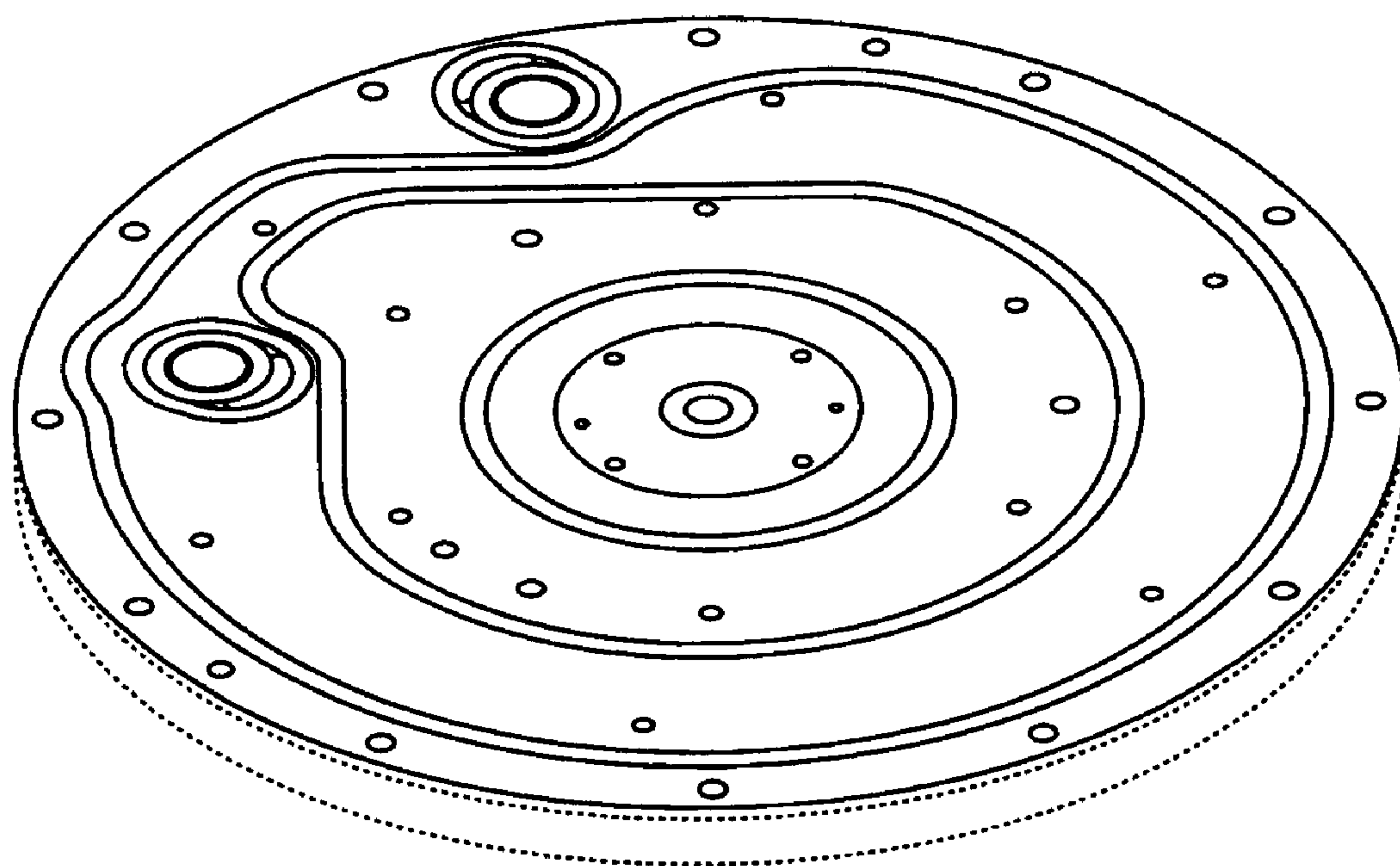
***FIG. 3***



***FIG. 4***



***FIG. 5***



***FIG. 6***