

US00D570306S

(12) **United States Design Patent**
Teshima

(10) **Patent No.:** **US D570,306 S**

(45) **Date of Patent:** **** Jun. 3, 2008**

(54) **LIGHT EMITTING DIODE LAMP**

(75) Inventor: **Kiyotaka Teshima**, Saitama (JP)

(73) Assignee: **Koha Co., Ltd.**, Tokyo (JP)

(**) Term: **14 Years**

(21) Appl. No.: **29/229,787**

(22) Filed: **May 12, 2005**

(51) **LOC (8) Cl.** **13-03**

(52) **U.S. Cl.** **D13/180**

(58) **Field of Classification Search** D13/180;
D26/2; 257/79, 80, 81, 82, 88, 89, 95, 98,
257/99, 100, 678, 680, 433, 434; 313/483,
313/498, 500; 361/820; 362/555, 800

See application file for complete search history.

(56) **References Cited**

U.S. PATENT DOCUMENTS

RE36,614 E *	3/2000	Lumbard et al.	313/500
D437,798 S *	2/2001	Kiba et al.	D10/104
6,459,130 B1 *	10/2002	Arndt et al.	257/432
D471,166 S *	3/2003	Oshio et al.	D13/182
D476,961 S *	7/2003	Horiuchi et al.	D13/182
D477,579 S *	7/2003	Suenaga	D13/180
D508,233 S *	8/2005	Kasae et al.	D13/180
2003/0136968 A1 *	7/2003	Fjelstad	257/82
2004/0061440 A1 *	4/2004	Imai et al.	313/512

OTHER PUBLICATIONS

U.S. Appl. No. 29/229,788, filed May 12, 2005, Teshima.

U.S. Appl. No. 29/229,789, filed May 12, 2005, Teshima.

U.S. Appl. No. 29/229,807, filed May 12, 2005, Teshima.

* cited by examiner

Primary Examiner—Selina Sikder

(74) *Attorney, Agent, or Firm*—Foley & Lardner LLP

(57) **CLAIM**

The ornamental design for a light emitting diode lamp, as shown and described.

DESCRIPTION

FIG. 1 shows a front view of the light emitting diode lamp which incorporates the design of the present invention.

FIG. 2 shows a top view of the light emitting diode lamp of FIG. 1.

FIG. 3 shows a bottom view of the light emitting diode lamp of FIG. 1.

FIG. 4 shows a right side view of the light emitting diode lamp of FIG. 1.

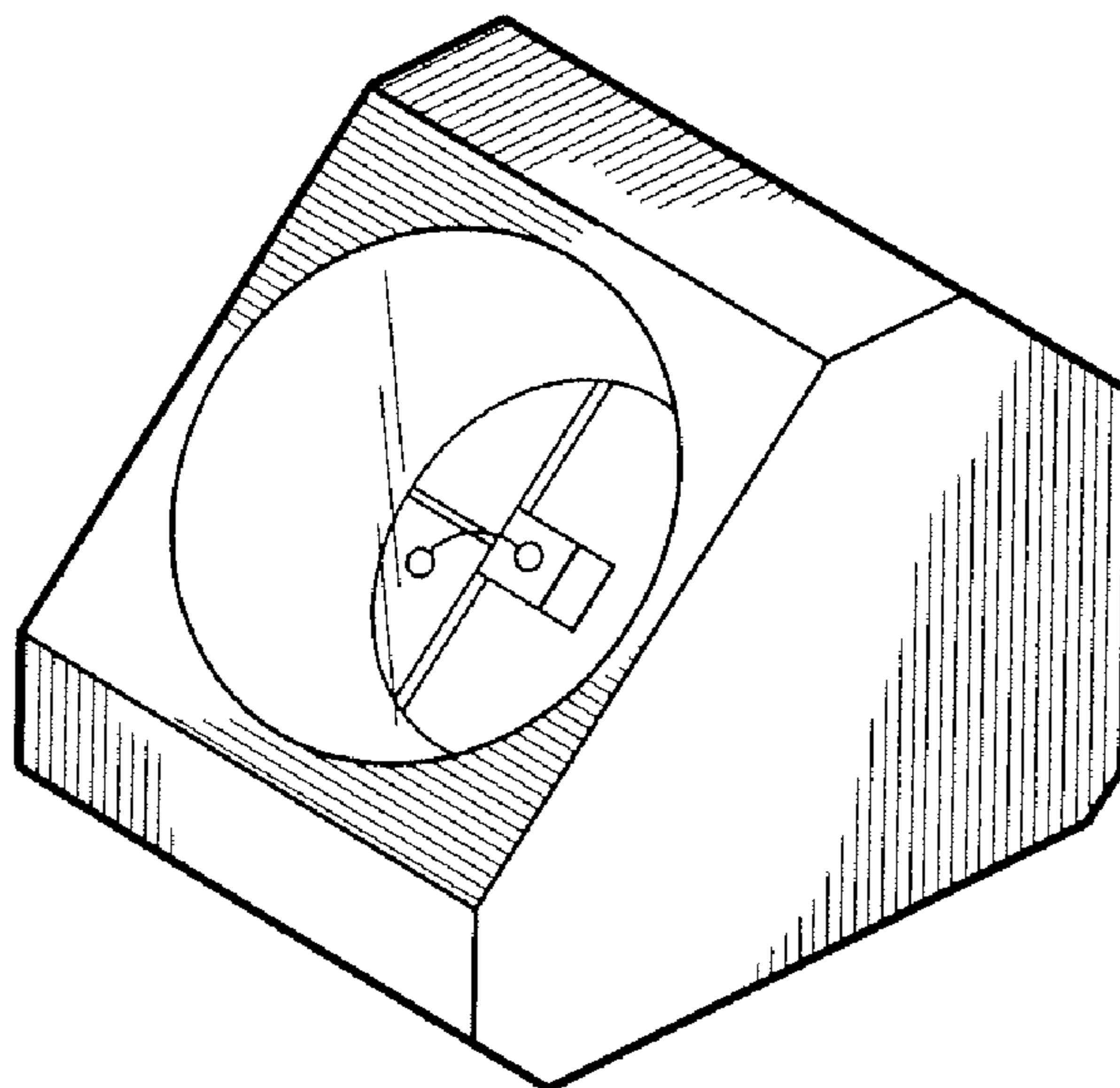
FIG. 5 shows a left side view of the light emitting diode lamp of FIG. 1.

FIG. 6 shows a cross sectional view along line VI—VI shown in FIG. 2 of the light emitting diode lamp of FIG. 1.

FIG. 7 shows a cross sectional view along line VII—VII shown in FIG. 2 of the light emitting diode lamp of FIG. 1; and,

FIG. 8 shows a perspective view of the light emitting diode lamp.

1 Claim, 5 Drawing Sheets



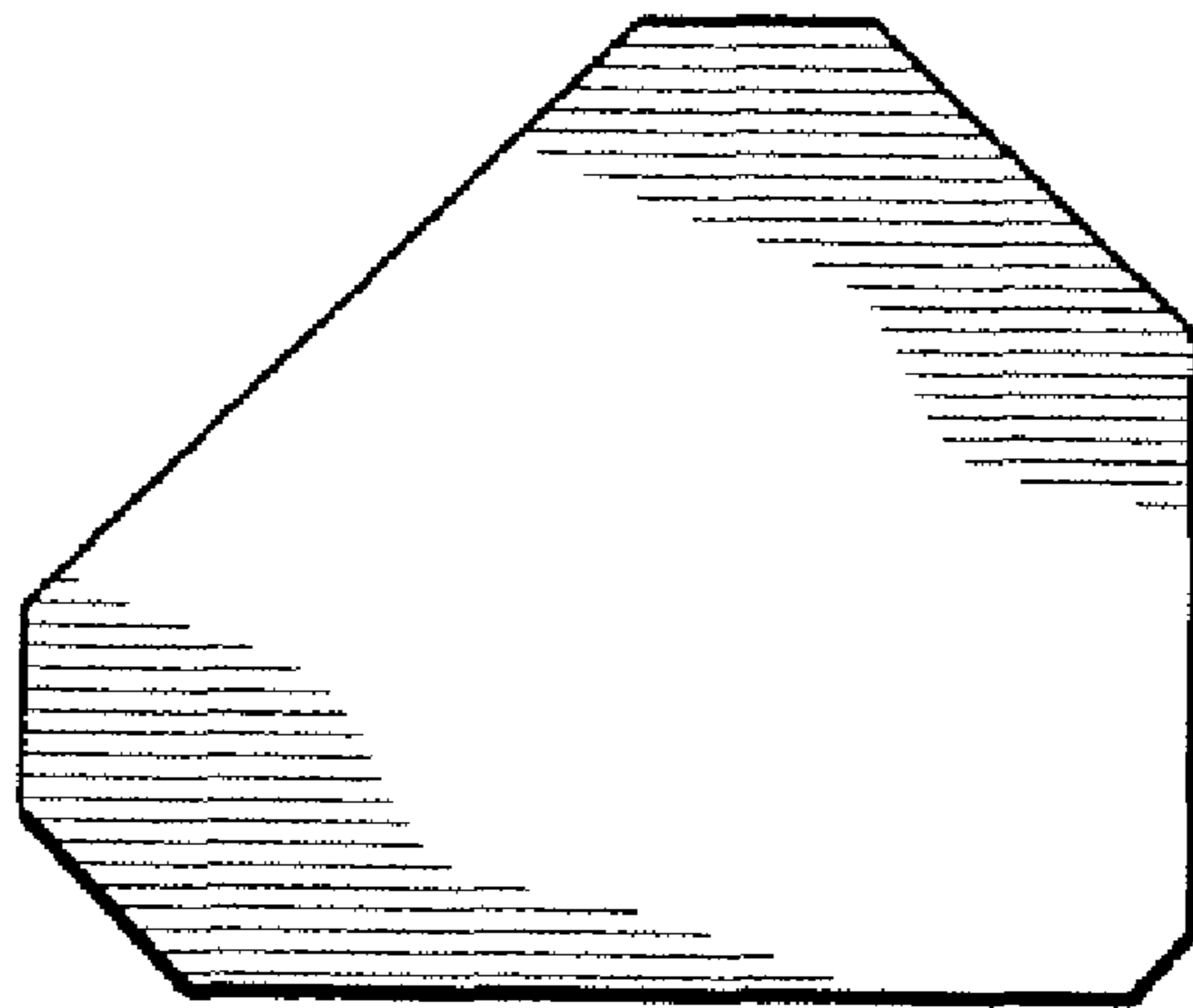


FIG. 1

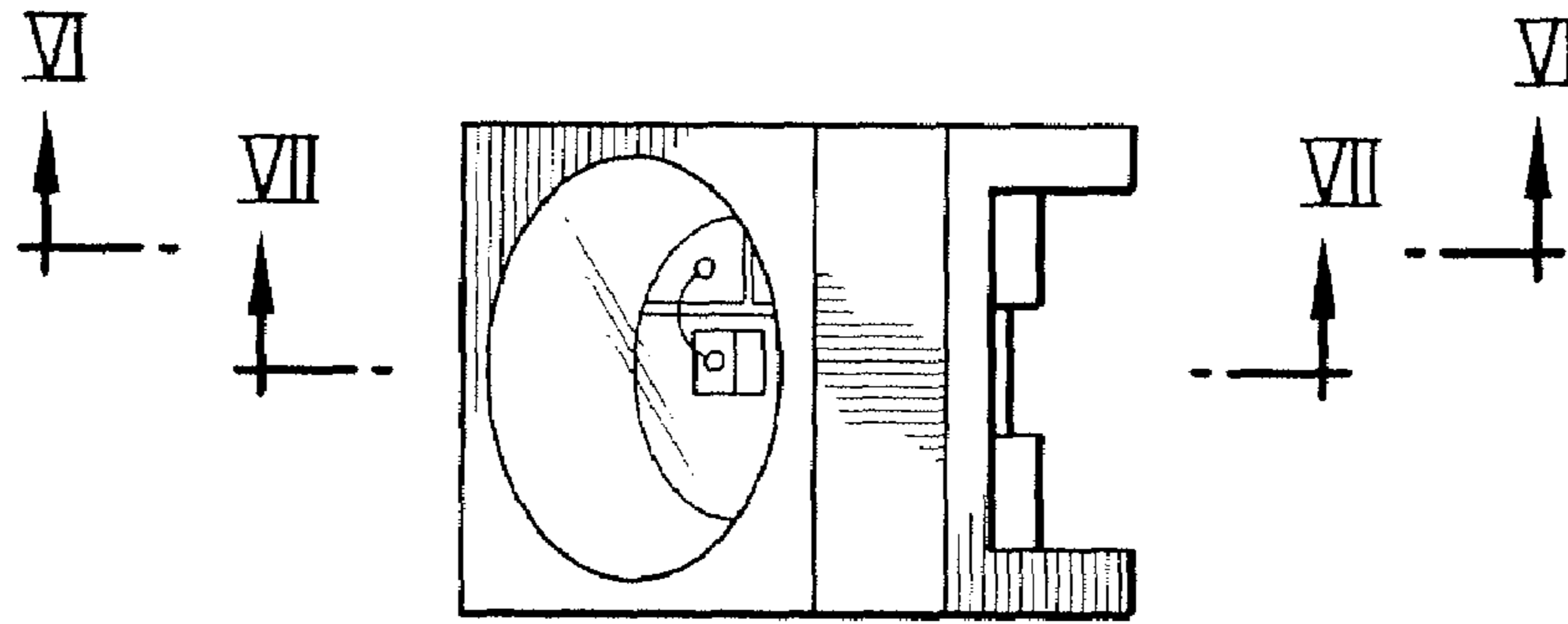


FIG. 2

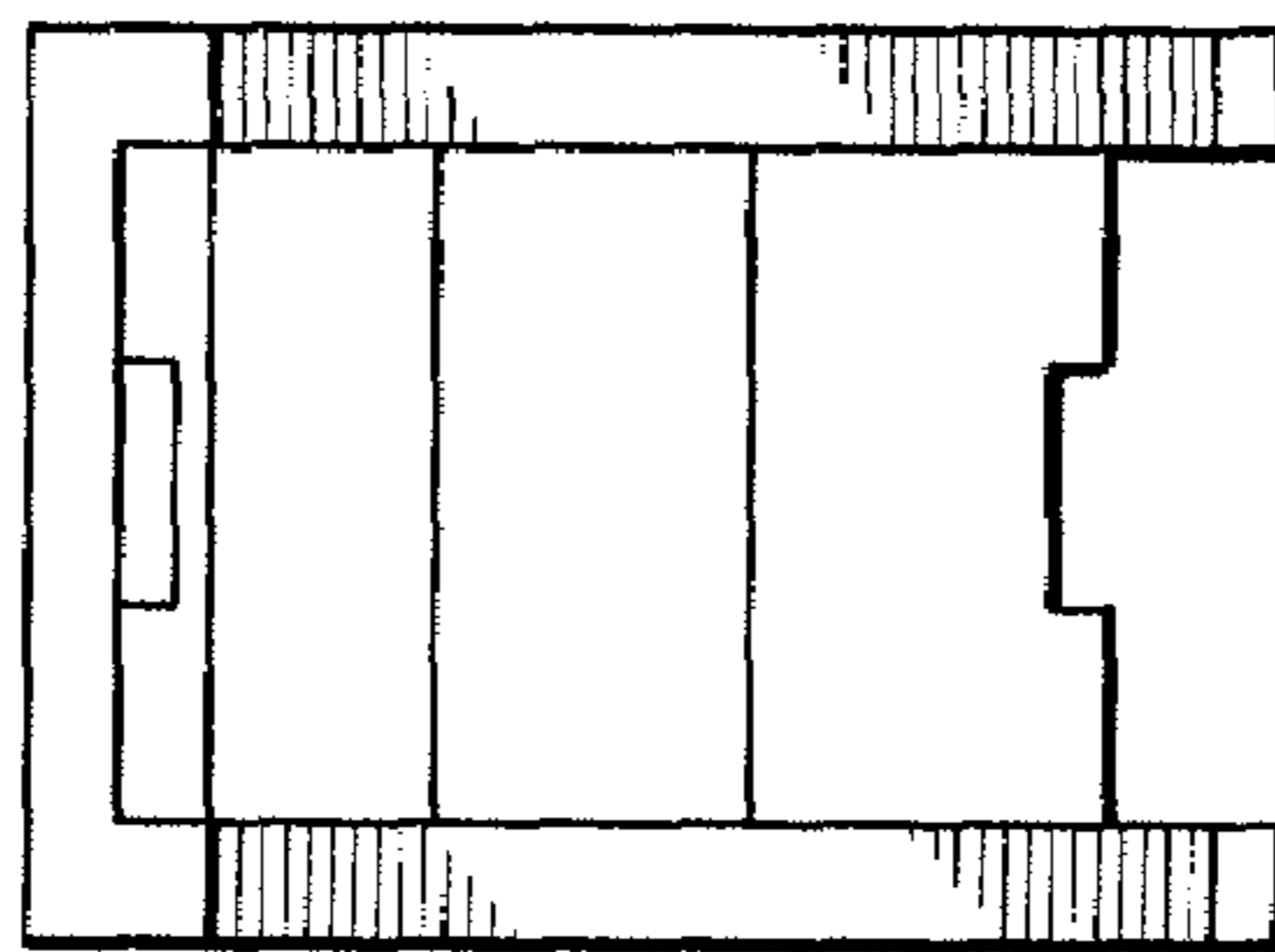


FIG. 3

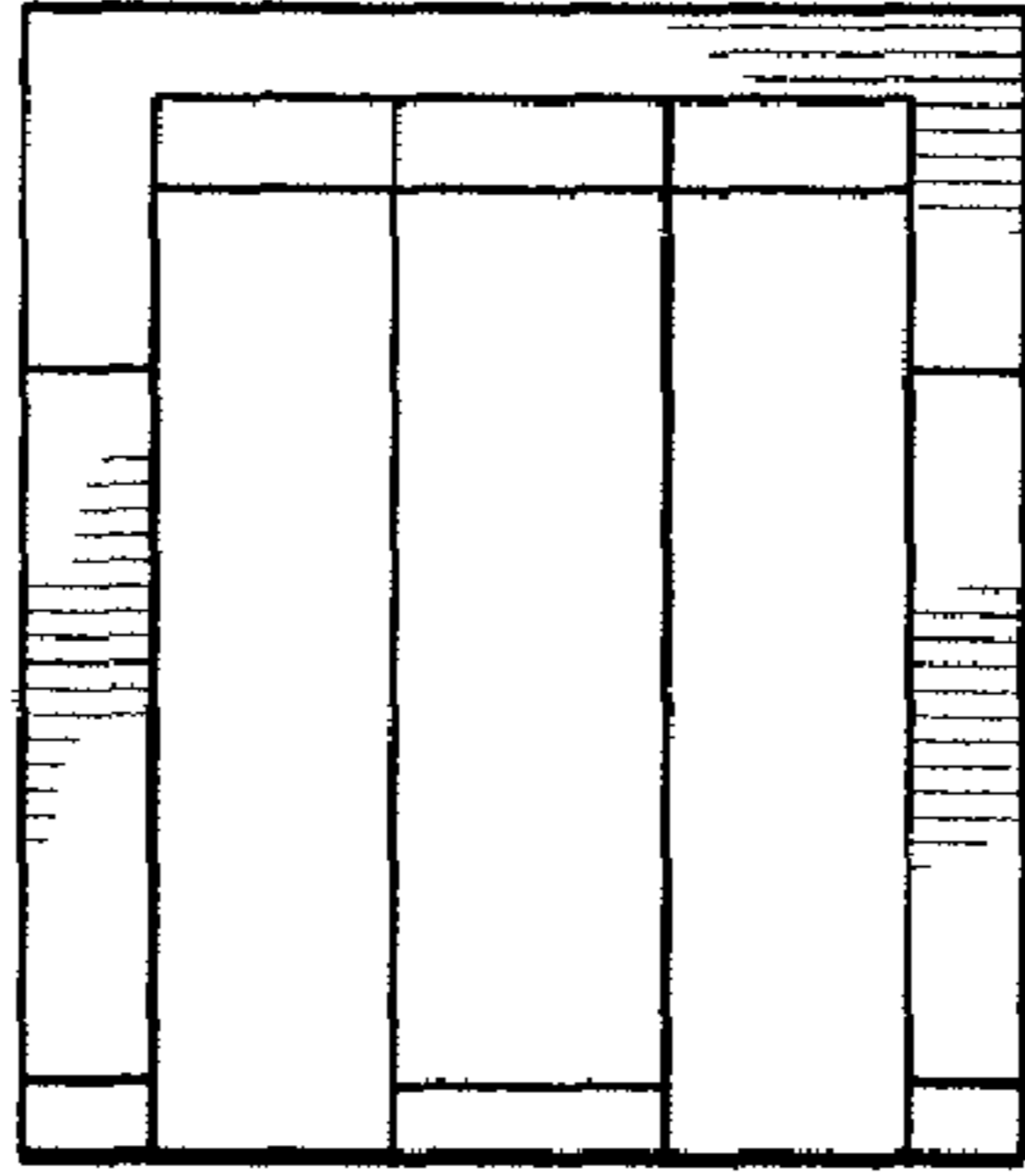


FIG. 4

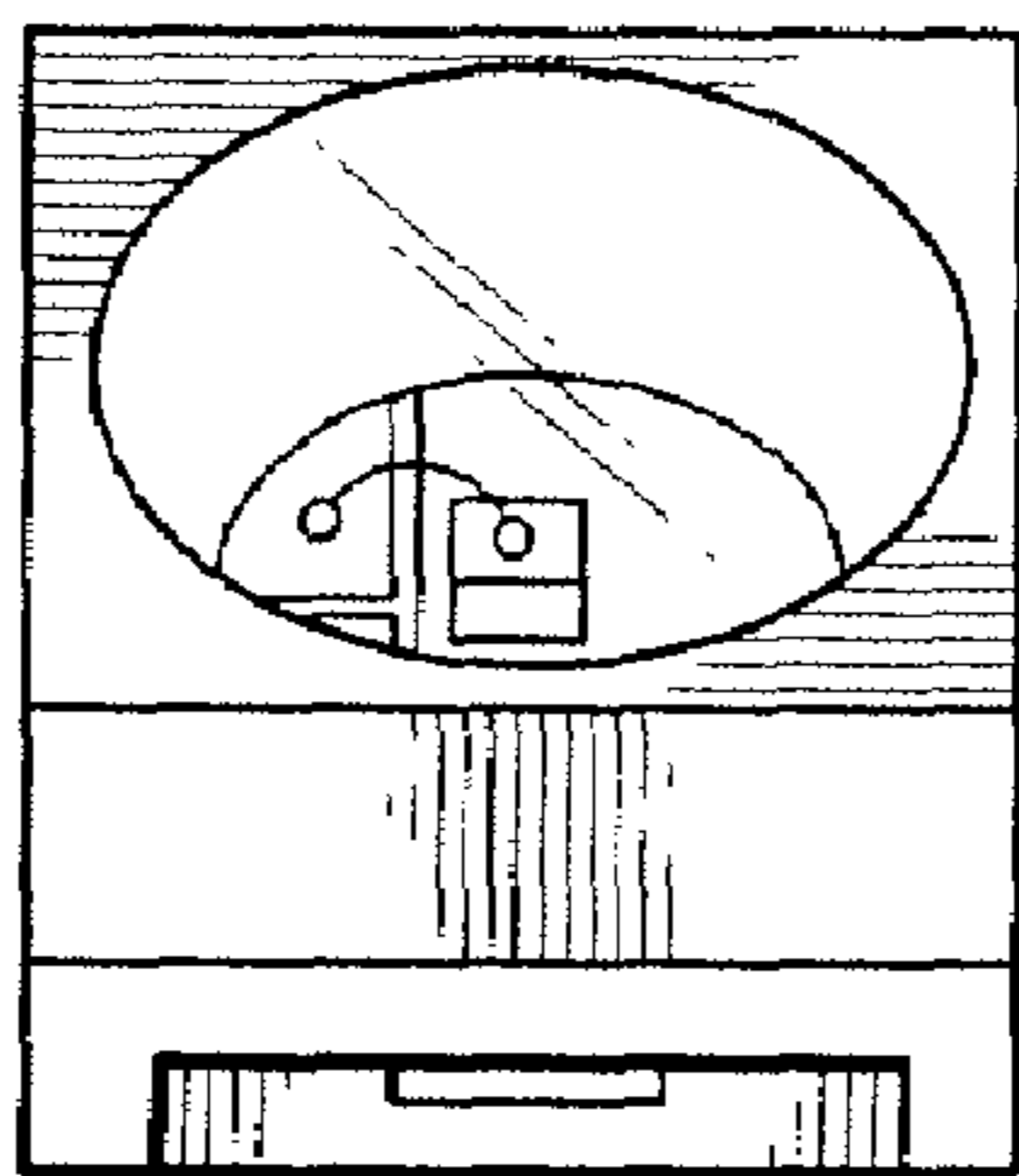


FIG. 5

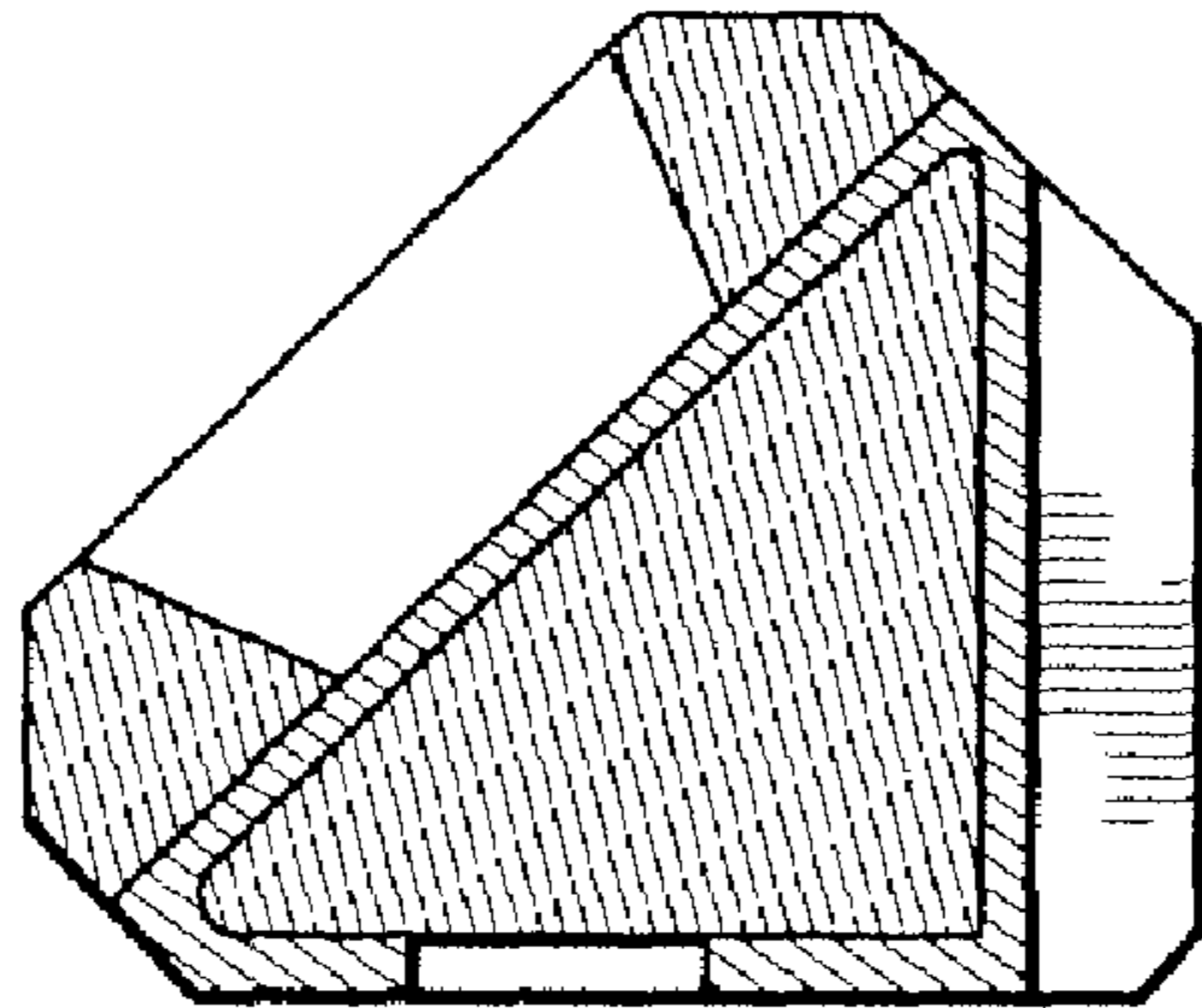


FIG. 6

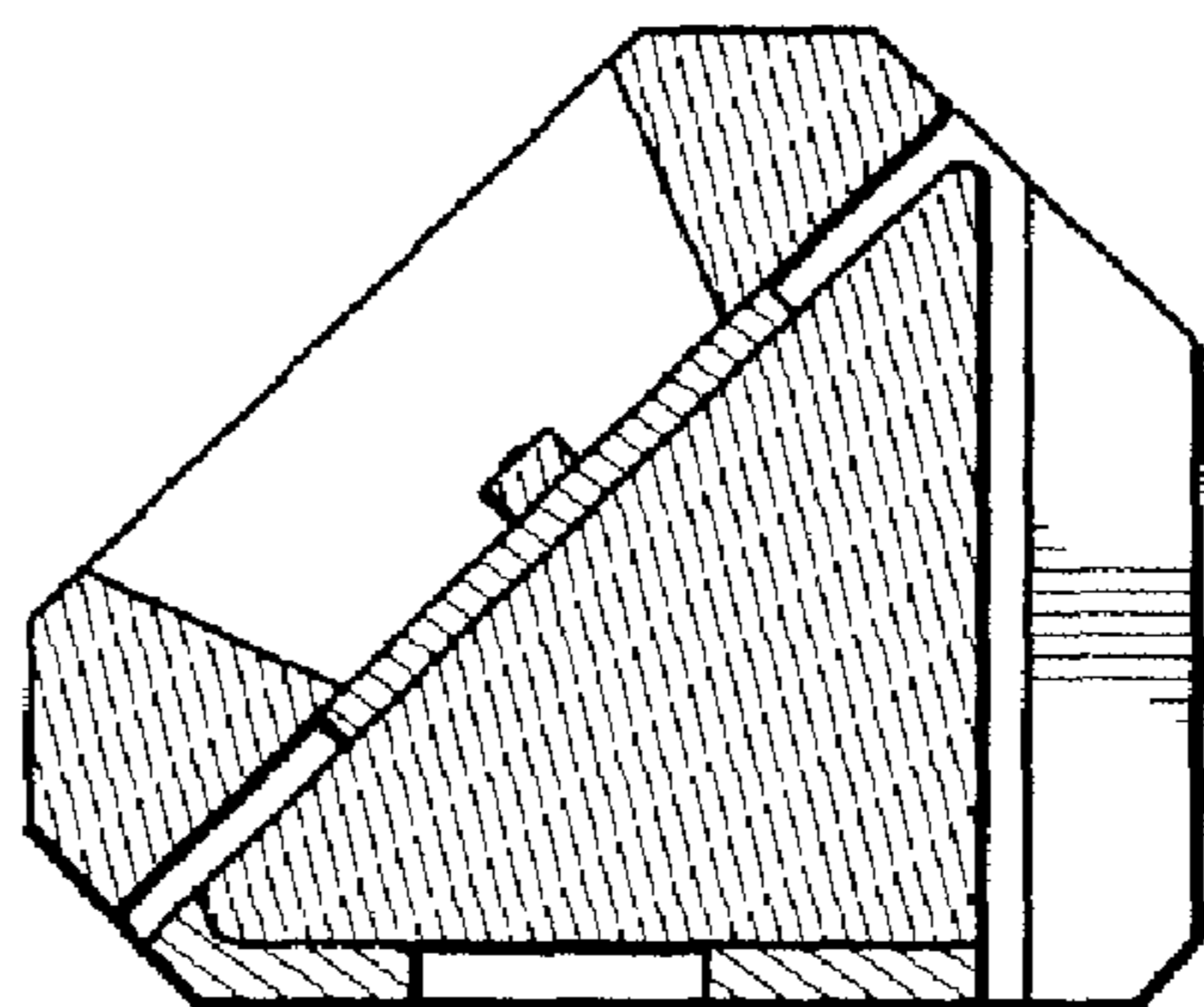


FIG. 7

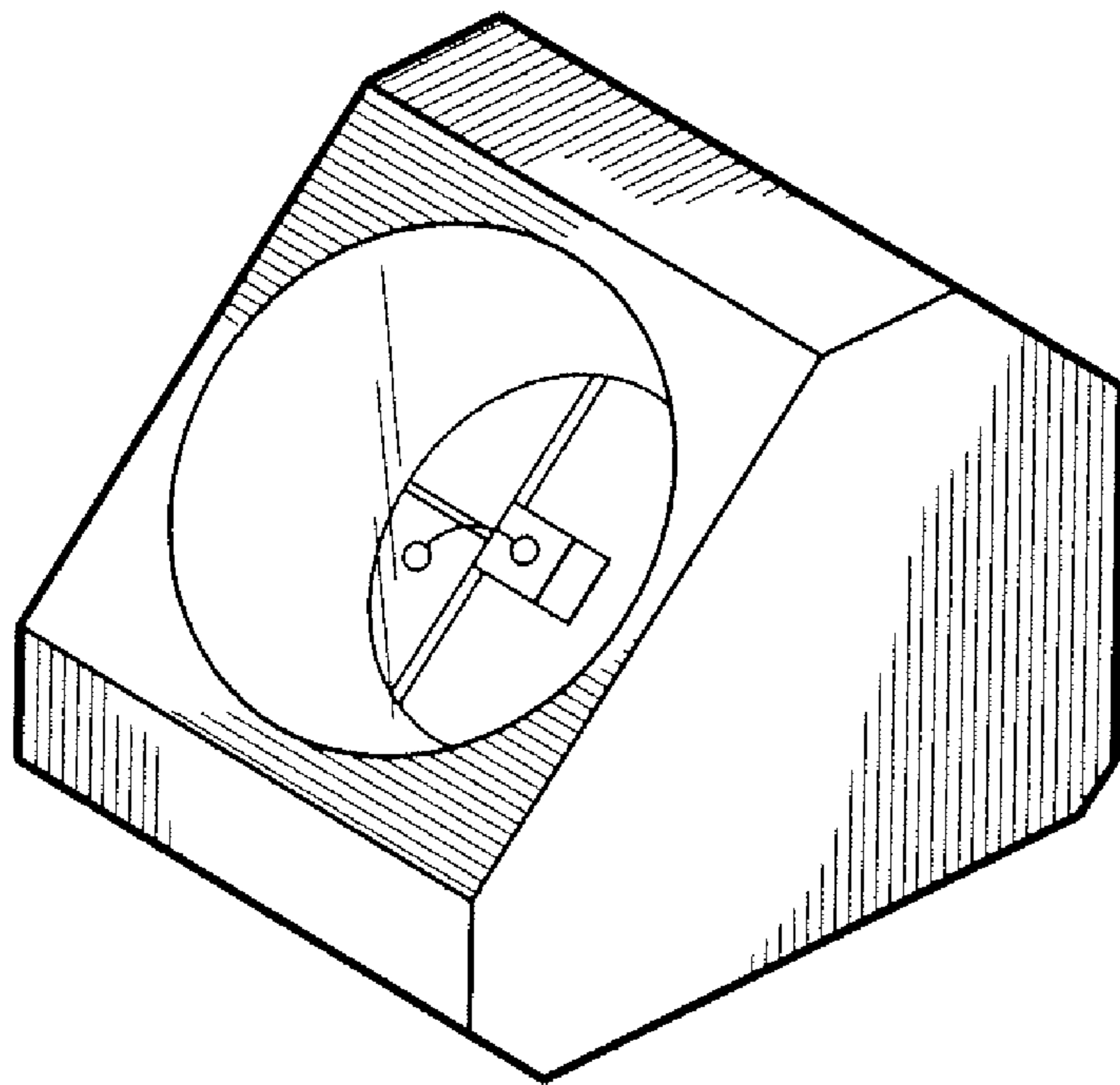


FIG 8