

US00D570305S

(12) **United States Design Patent**  
**Horng**

(10) **Patent No.:** **US D570,305 S**

(45) **Date of Patent:** **\*\* Jun. 3, 2008**

(54) **AXIAL-FLOW MINI HEAT SINK MODULE**

(75) Inventor: **Alex Horng**, Kaoshiung (TW)

(73) Assignee: **Sunonwealth Electric Machine Industry Co., Ltd.**, Kaoshiung (TW)

(\*\*) Term: **14 Years**

(21) Appl. No.: **29/274,493**

(22) Filed: **Apr. 27, 2007**

(30) **Foreign Application Priority Data**

Feb. 16, 2007 (TW) ..... 96301135U03

(51) **LOC (8) Cl.** ..... **13-03**

(52) **U.S. Cl.** ..... **D13/179**

(58) **Field of Classification Search** ..... D13/179;  
165/80.3, 104.33, 151, 122, 185; 257/706,  
257/707, 718-722; 361/687, 695, 697, 700,  
361/702, 704, 709, 710, 711, 719

See application file for complete search history.

(56) **References Cited**

**U.S. PATENT DOCUMENTS**

5,689,404 A \* 11/1997 Katsui ..... 361/697  
D401,686 S \* 11/1998 Horng ..... D23/370  
6,076,594 A \* 6/2000 Kuo ..... 165/80.3

7,068,506 B2 \* 6/2006 Behl ..... 361/695  
2005/0018399 A1 \* 1/2005 Shimizu ..... 361/695  
2005/0276689 A1 \* 12/2005 Chiou et al. .... 415/176  
2005/0286231 A1 \* 12/2005 Kishi ..... 361/709  
2006/0181846 A1 \* 8/2006 Farnsworth et al. .... 361/695  
2007/0131387 A1 \* 6/2007 Kawabata et al. .... 165/80.3

\* cited by examiner

*Primary Examiner*—Selina Sikder

(74) *Attorney, Agent, or Firm*—Bacon & Thomas, PLLC

(57) **CLAIM**

The ornamental design for axial-flow mini heat sink module, as shown and described.

**DESCRIPTION**

FIG. 1 is a perspective view of the axial-flow mini heat sink module in accordance with the claimed design;

FIG. 2 is a front elevation view thereof;

FIG. 3 is a rear elevation view thereof;

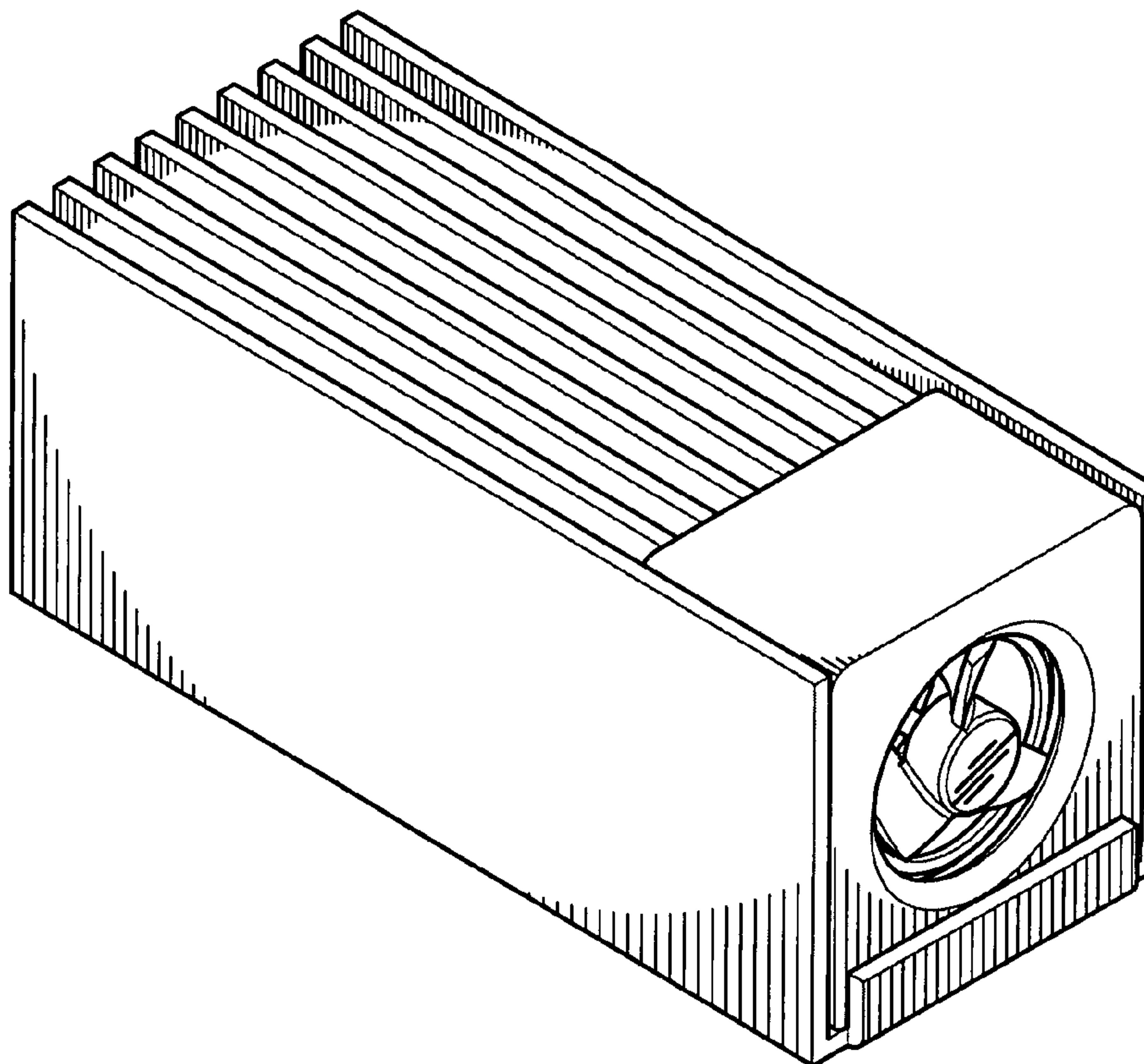
FIG. 4 is a left side elevation view thereof;

FIG. 5 is a right side elevation view thereof;

FIG. 6 is a top plan view thereof; and,

FIG. 7 is a bottom plan view thereof.

**1 Claim, 4 Drawing Sheets**



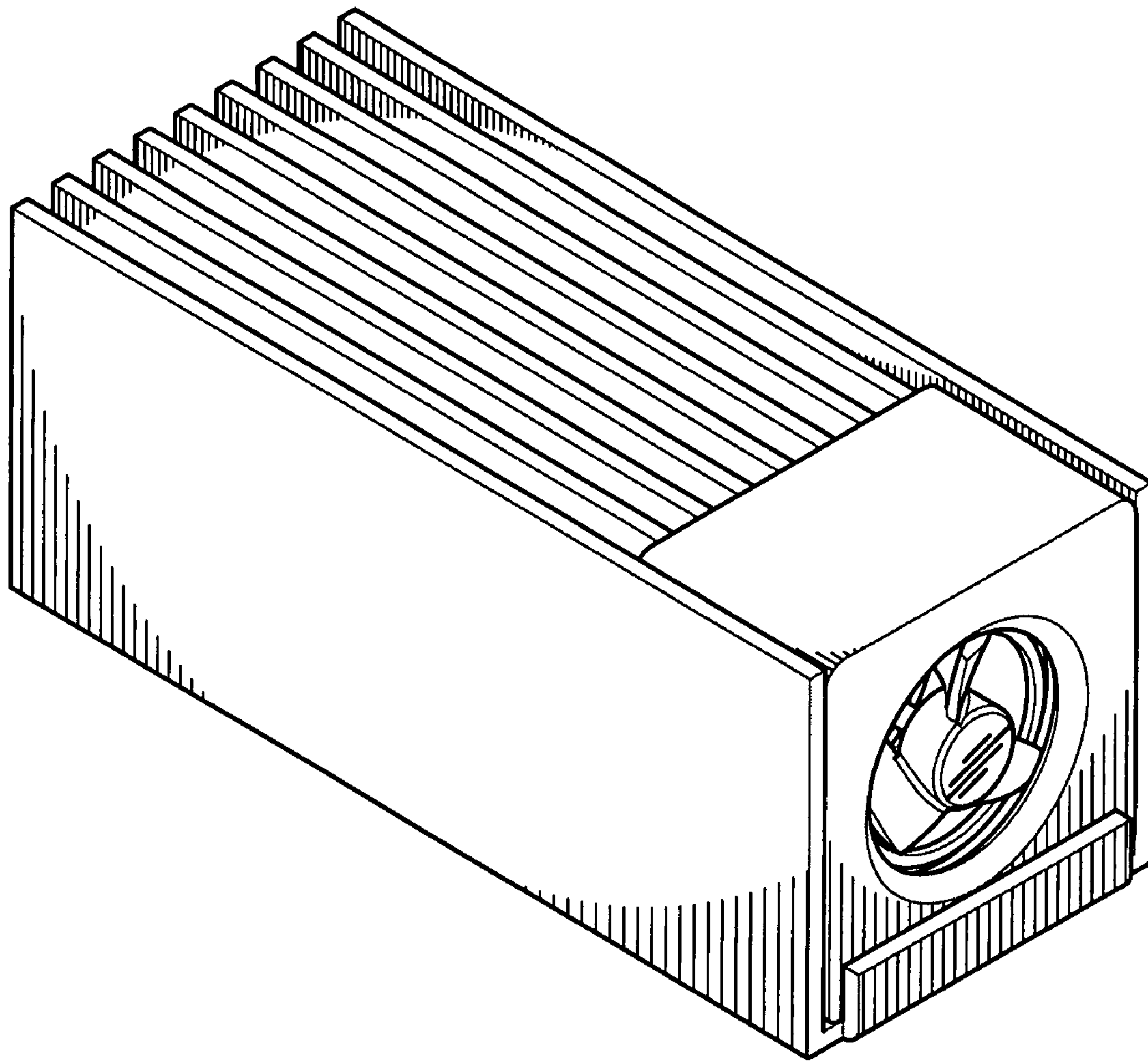


FIG. 1

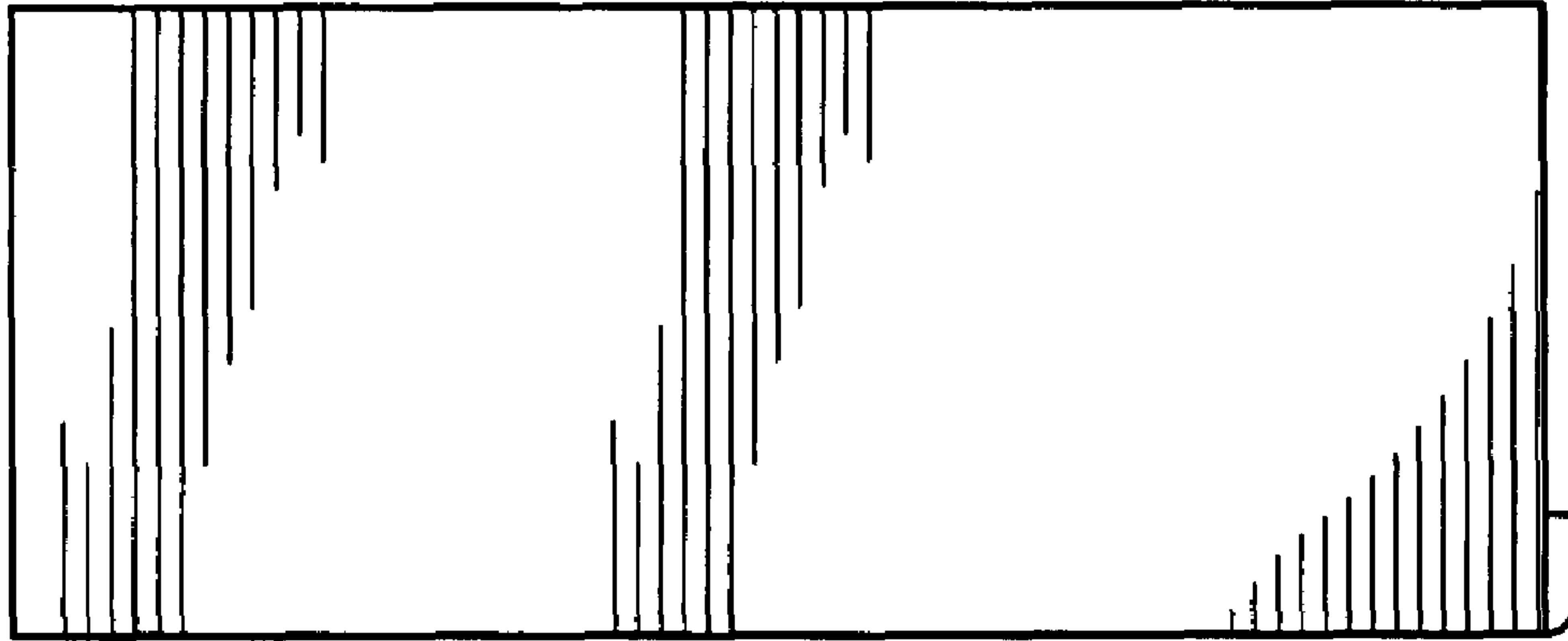


FIG. 2

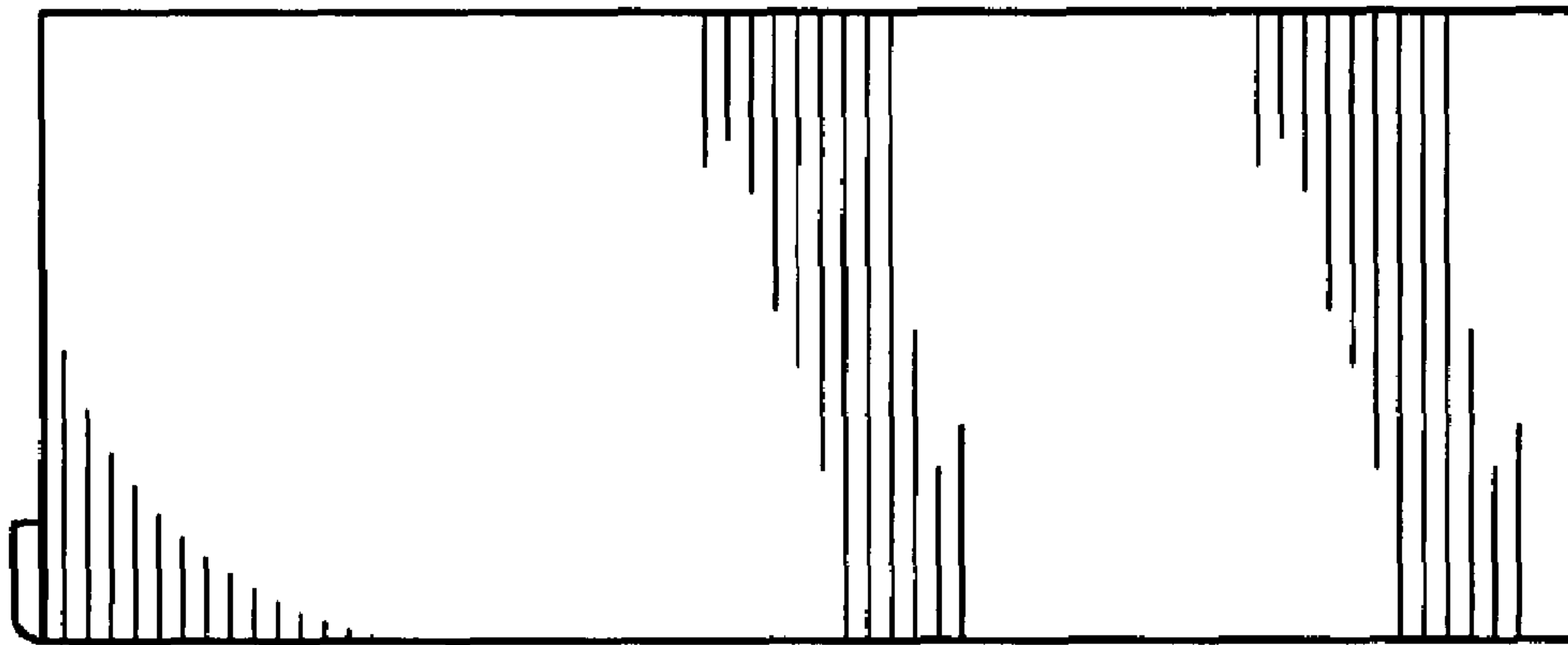


FIG. 3



FIG. 4

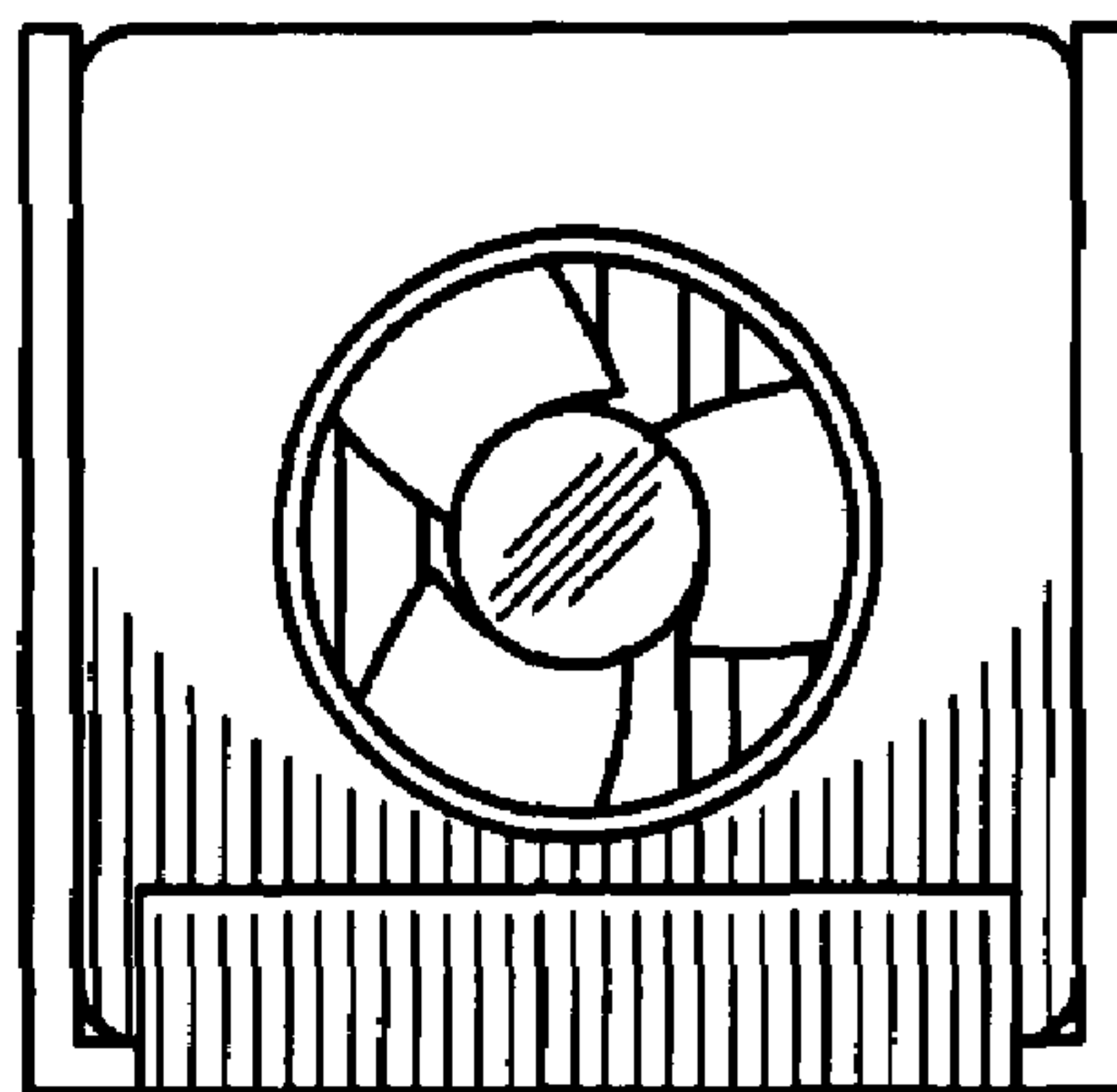


FIG. 5

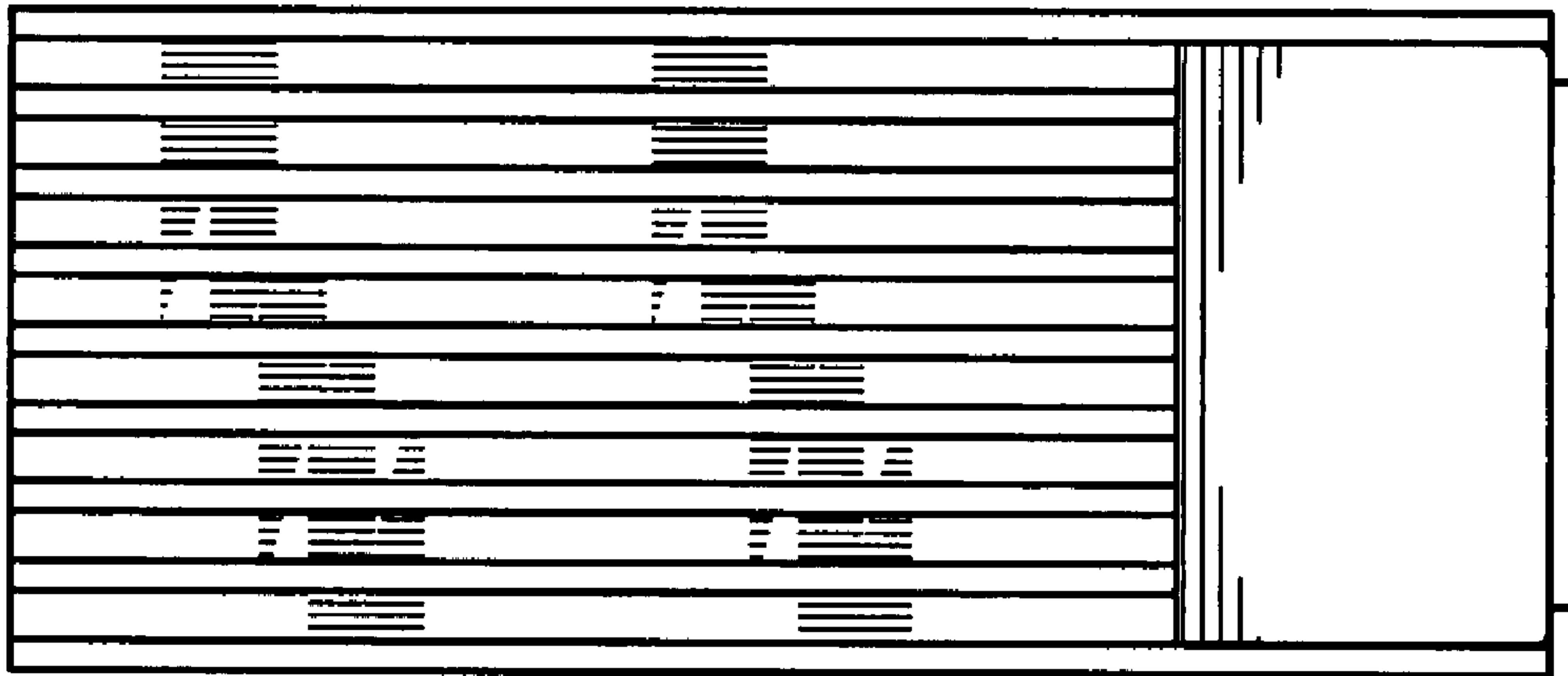


FIG. 6

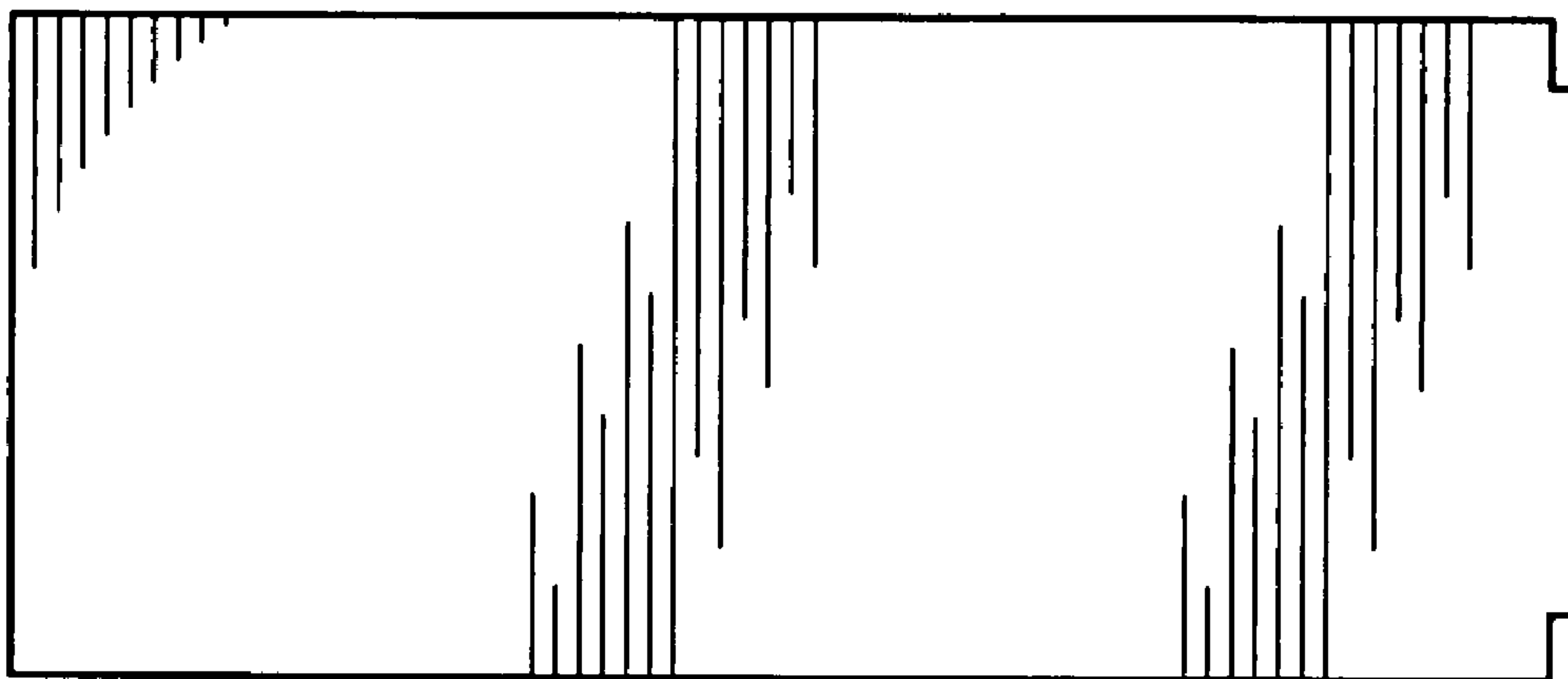


FIG. 7