



US00D570302S

(12) **United States Design Patent**
Horng

(10) **Patent No.:** **US D570,302 S**

(45) **Date of Patent:** **** Jun. 3, 2008**

(54) **AXIAL-FLOW MINI HEAT SINK MODULE**

(75) Inventor: **Alex Horng**, Kaohsiung (TW)

(73) Assignee: **Sunonwealth Electric Machine Industry Co., Ltd.**, Kaohsiung (TW)

(**) Term: **14 Years**

(21) Appl. No.: **29/274,490**

(22) Filed: **Apr. 27, 2007**

(30) **Foreign Application Priority Data**

Feb. 16, 2007 (TW) 96301135

(51) **LOC (8) Cl.** **13-03**

(52) **U.S. Cl.** **D13/179**

(58) **Field of Classification Search** D13/179;
165/80.3, 104.33, 151, 122, 185; 257/706,
257/707, 718-722; 361/687, 695, 697, 700,
361/702, 704, 709, 710, 711, 719
See application file for complete search history.

(56) **References Cited**

U.S. PATENT DOCUMENTS

5,689,404 A * 11/1997 Katsui 361/697
D401,686 S * 11/1998 Horng D23/370
6,076,594 A * 6/2000 Kuo 165/80.3

7,068,506 B2 * 6/2006 Behl 361/695
2005/0018399 A1 * 1/2005 Shimizu 361/695
2005/0276689 A1 * 12/2005 Chiou et al. 415/176
2005/0286231 A1 * 12/2005 Kishi 361/709
2006/0181846 A1 * 8/2006 Farnsworth et al. 361/695
2007/0131387 A1 * 6/2007 Kawabata et al. 165/80.3

* cited by examiner

Primary Examiner—Selina Sikder

(74) *Attorney, Agent, or Firm*—Bacon & Thomas, PLLC

(57) **CLAIM**

The ornamental design for axial-flow mini heat sink module, as shown and described.

DESCRIPTION

FIG. 1 is a perspective view of the axial-flow mini heat sink module in accordance with the claimed design;

FIG. 2 is a front elevation view thereof;

FIG. 3 is a rear elevation view thereof;

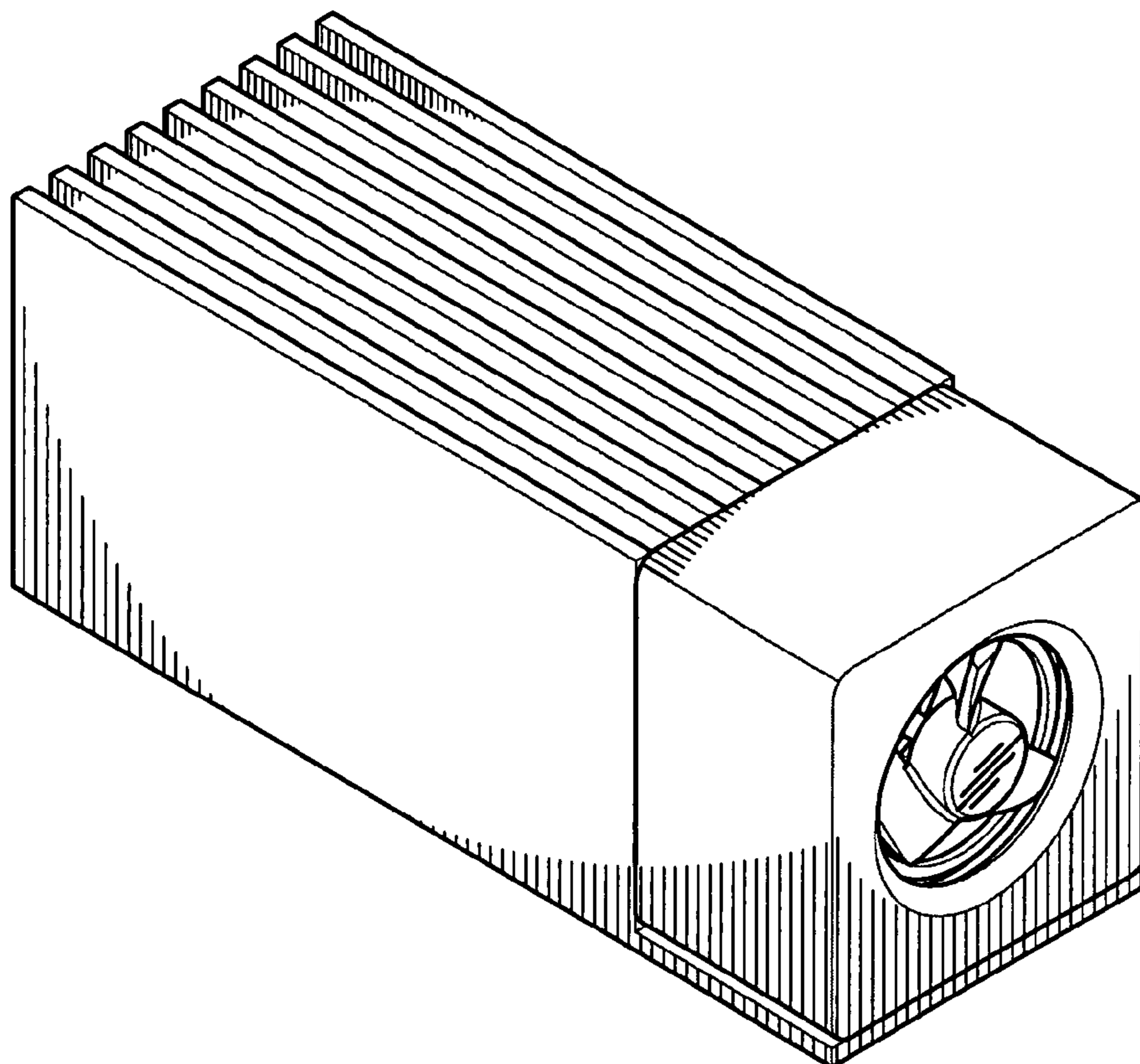
FIG. 4 is a left side elevation view thereof;

FIG. 5 is a right side elevation view thereof;

FIG. 6 is a top plan view thereof; and,

FIG. 7 is a bottom plan view thereof.

1 Claim, 4 Drawing Sheets



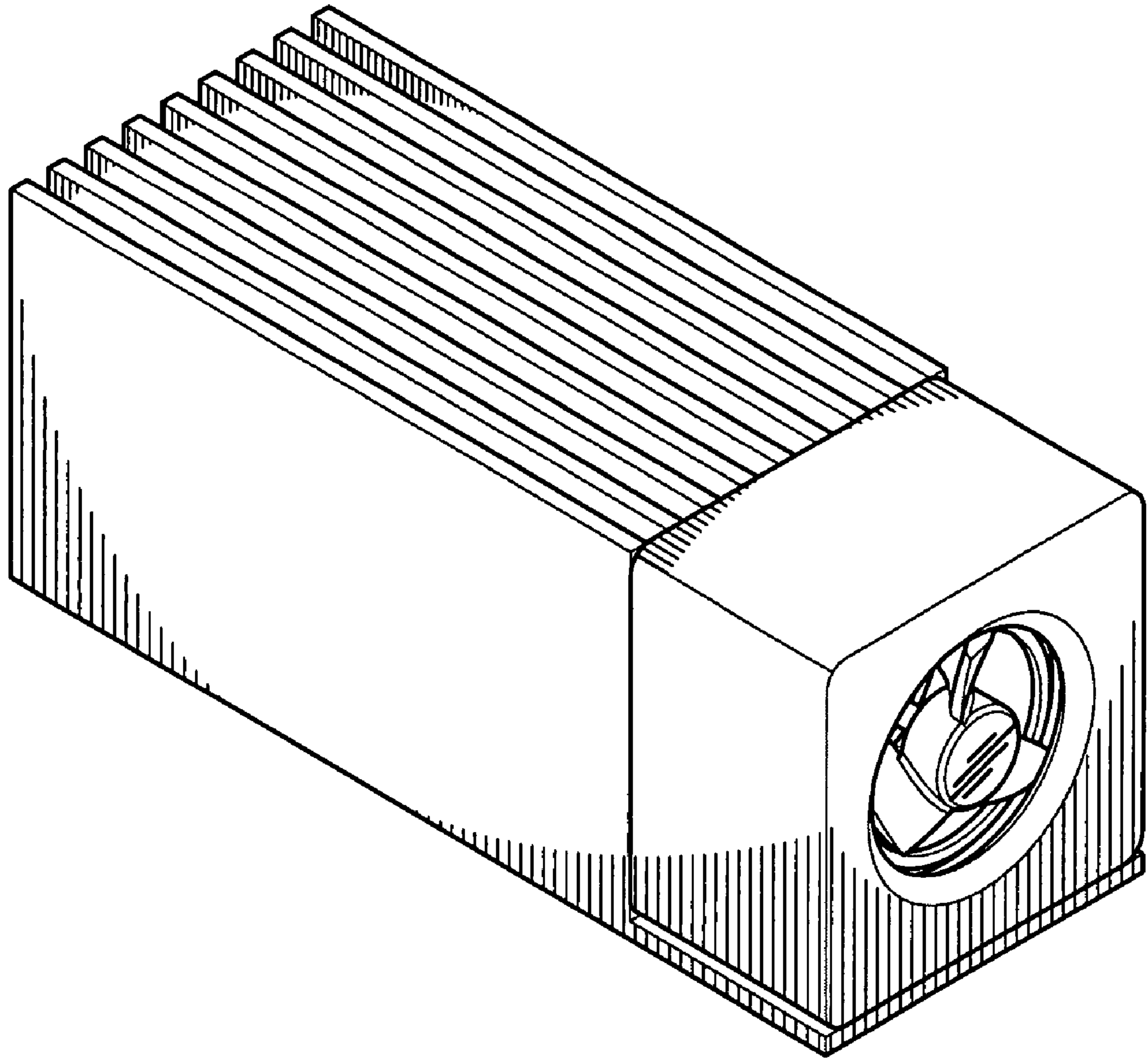


FIG. 1

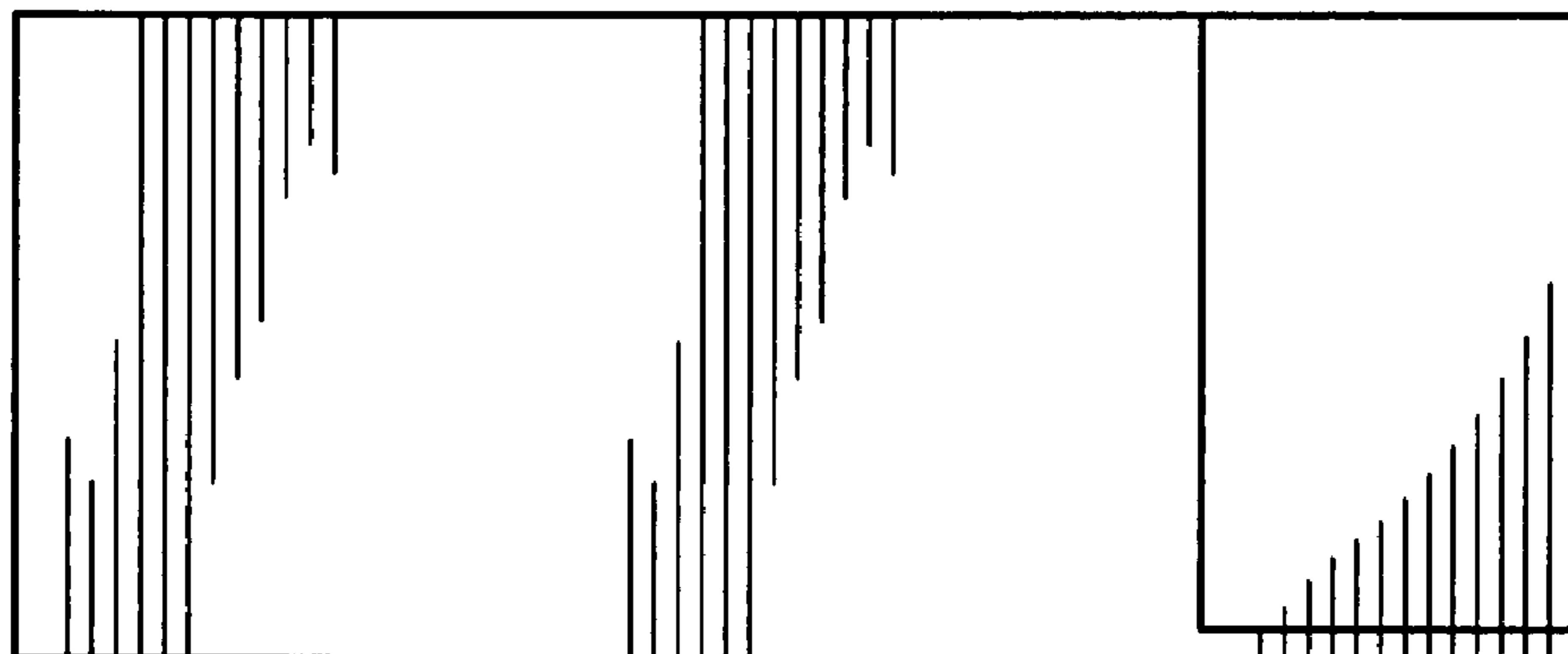


FIG. 2

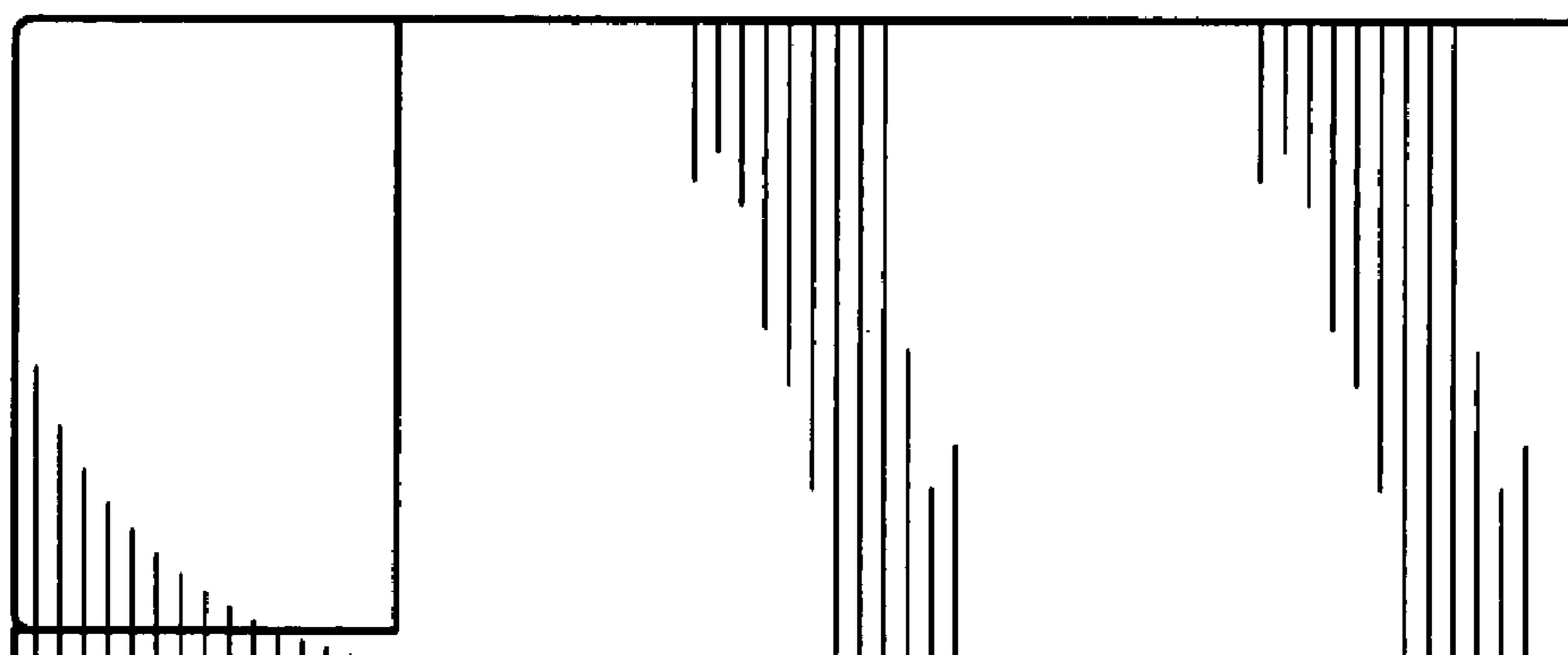


FIG. 3

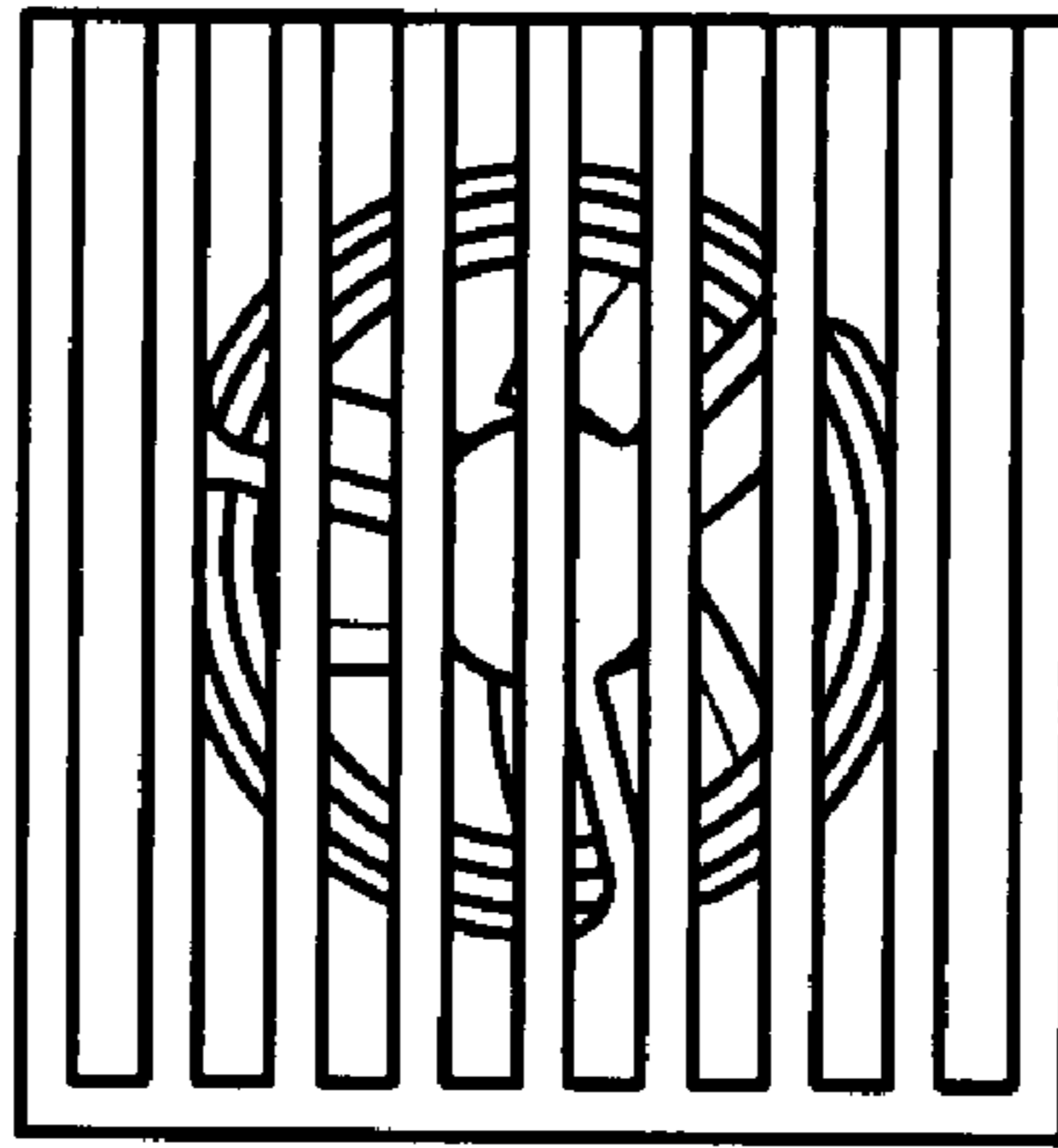


FIG. 4

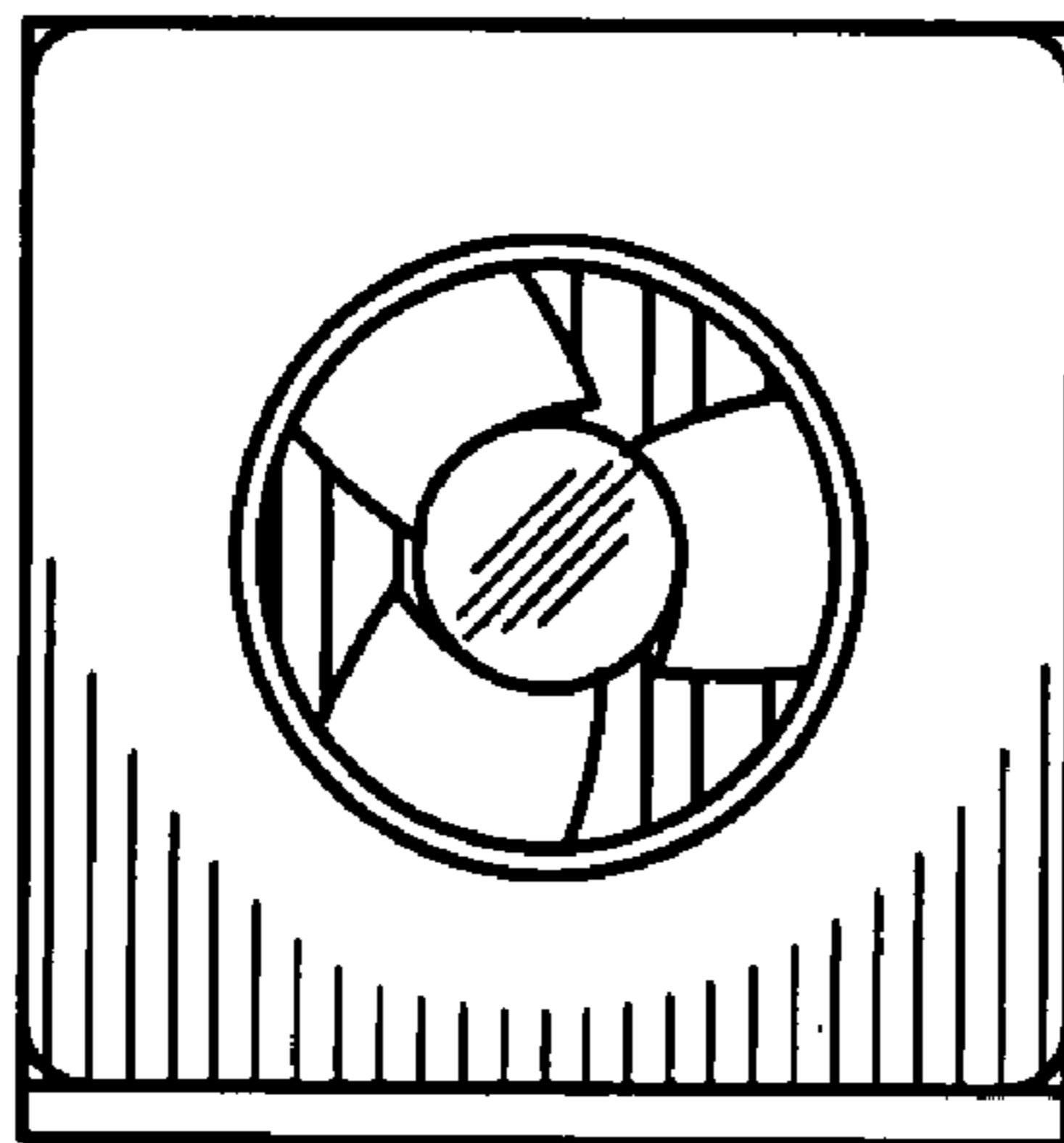


FIG. 5

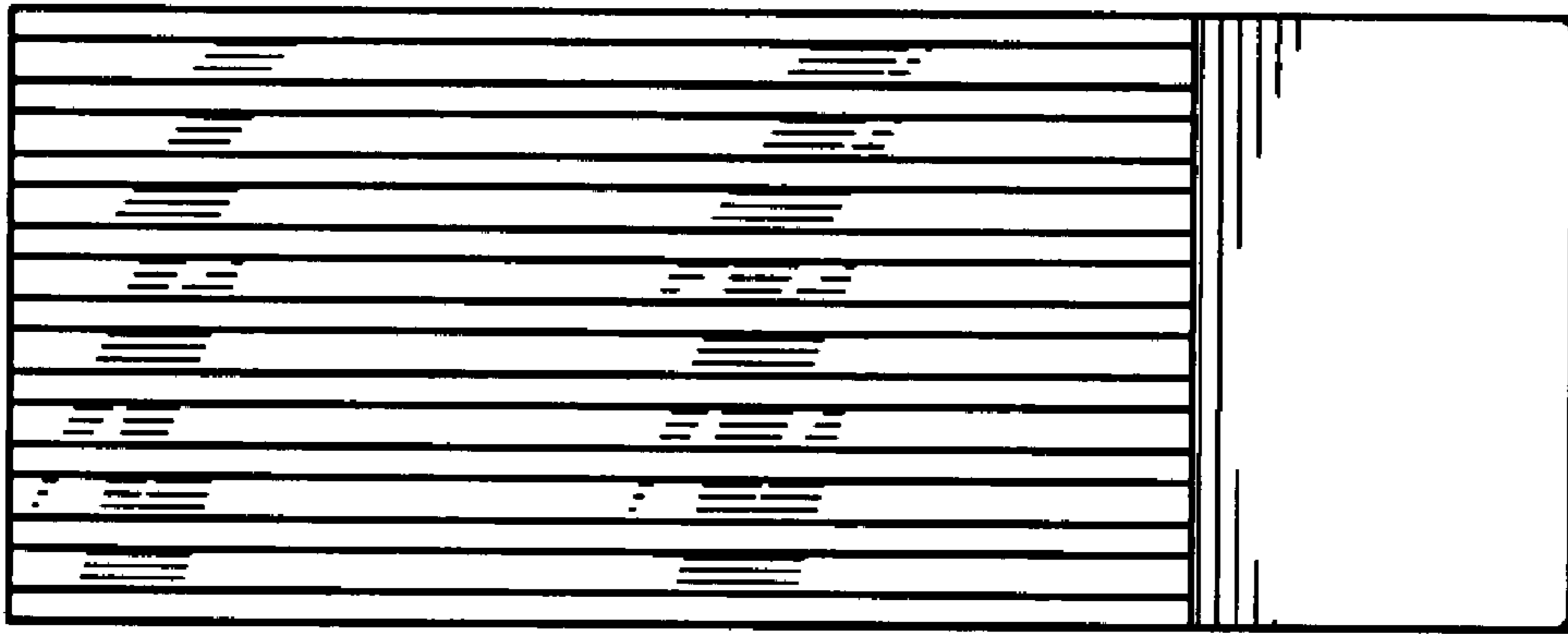


FIG. 6

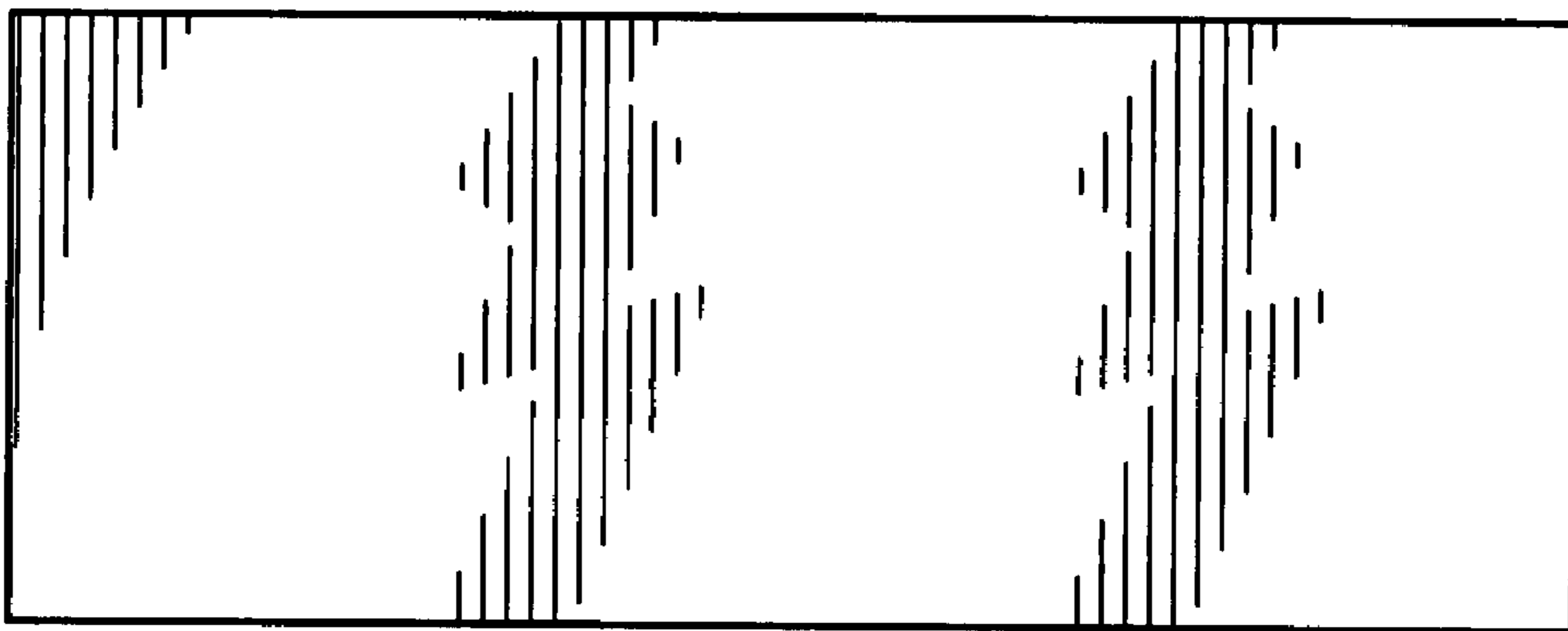


FIG. 7