

US00D570301S

(12) **United States Design Patent**
Watanabe et al.

(10) **Patent No.:** **US D570,301 S**
(45) **Date of Patent:** **** Jun. 3, 2008**

(54) **ELECTRONIC COMPONENT COOLING APPARATUS**

(75) Inventors: **Michinori Watanabe**, Nagano (JP);
Toshiki Ogawara, Nagano (JP);
Haruhisa Maruyama, Nagano (JP)

(73) Assignee: **Sanyo Denki Co., Ltd.**, Tokyo (JP)

(**) Term: **14 Years**

(21) Appl. No.: **29/249,886**

(22) Filed: **Oct. 25, 2006**

Related U.S. Application Data

(62) Division of application No. 29/216,926, filed on Nov. 10, 2004, now Pat. No. Des. 541,229.

(30) **Foreign Application Priority Data**

May 13, 2004 (JP) 2004-014192
May 13, 2004 (JP) 2004-014193
May 13, 2004 (JP) 2004-014194
May 13, 2004 (JP) 2004-014195

(51) **LOC (8) Cl.** **13-03**

(52) **U.S. Cl.** **D13/179**

(58) **Field of Classification Search** D13/179;
D23/370, 379; 165/80.3, 121, 122, 146;
361/274.3, 695, 697, 700, 702
See application file for complete search history.

(56) **References Cited**

U.S. PATENT DOCUMENTS

5,785,116 A 7/1998 Wagner
5,883,449 A 3/1999 Mehta et al.
5,975,194 A 11/1999 Wagner
6,152,214 A 11/2000 Wagner
6,419,007 B1 7/2002 Ogawara et al.

6,480,383 B2 * 11/2002 Kodaira et al. 361/697
6,698,499 B1 3/2004 Wagner
D501,450 S 2/2005 Watanabe et al.
D516,526 S 3/2006 Watanabe et al.
D541,229 S * 4/2007 Watanabe et al. D13/179

FOREIGN PATENT DOCUMENTS

JP 1138843 2/2002
JP 1157130 9/2002
JP 1186376 8/2003
JP 1186377 8/2003
JP 1222196 9/2004
JP 1222480 9/2004

* cited by examiner

Primary Examiner—Lisa Lichtenstein

(74) *Attorney, Agent, or Firm*—Rankin, Hill & Clark LLP

(57) **CLAIM**

The ornamental design for an electronic component cooling apparatus, as shown and described.

DESCRIPTION

FIG. 1 is a front elevation view of an electronic component cooling apparatus showing our new design;

FIG. 2 is a rear elevation view of the cooling apparatus;

FIG. 3 is a right side elevation view of the cooling apparatus;

FIG. 4 is a left side elevation view of the cooling apparatus;

FIG. 5 is a top plan view of the cooling apparatus;

FIG. 6 is a bottom plan view of the cooling apparatus;

FIG. 7 is a top plan reference view of the cooling apparatus;

FIG. 8 is a longitudinal cross sectional view of the cooling apparatus taken along line 8—8 in FIG. 7; and,

FIG. 9 is a perspective view of the cooling apparatus.

1 Claim, 5 Drawing Sheets

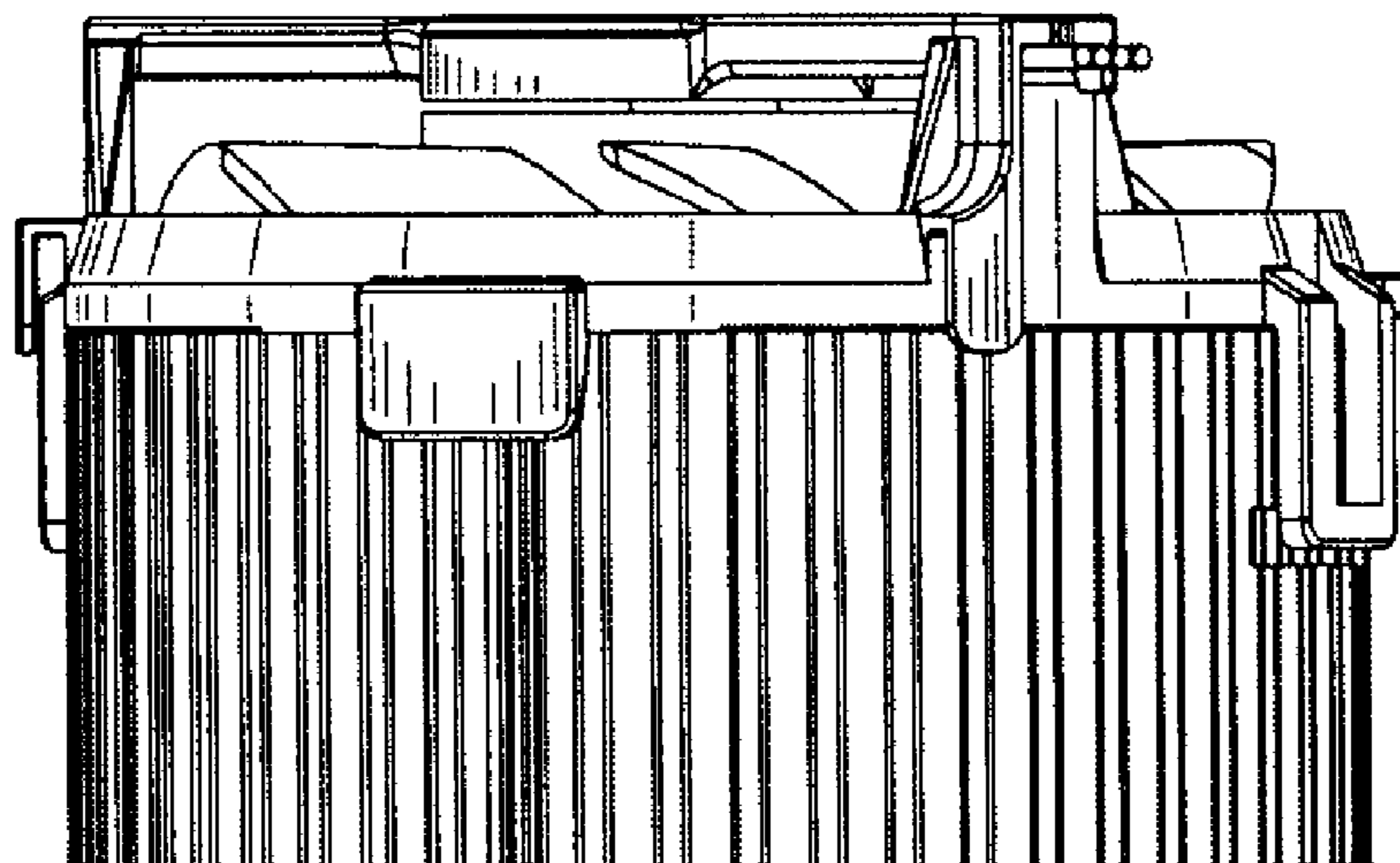


Fig. 1

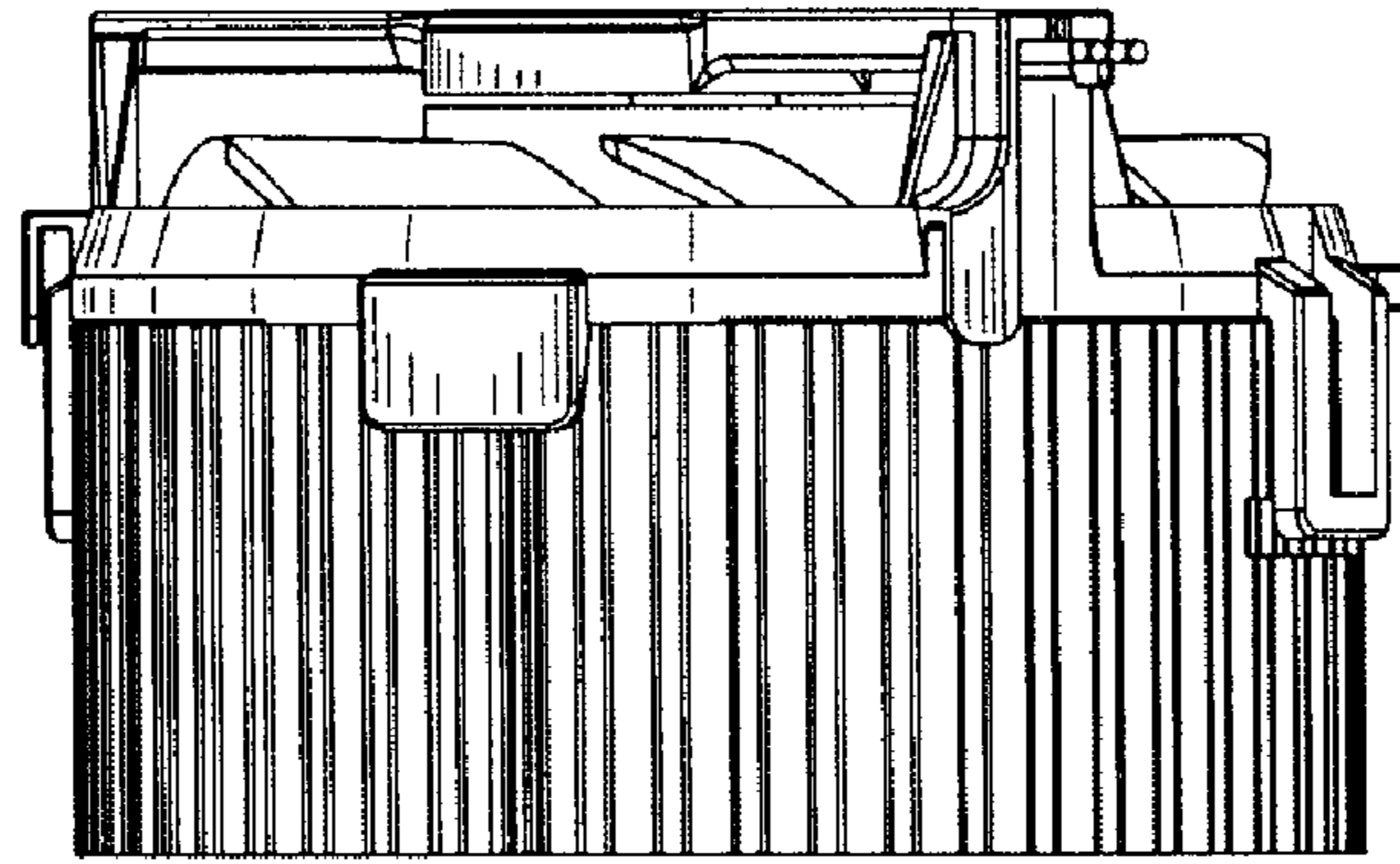


Fig. 2

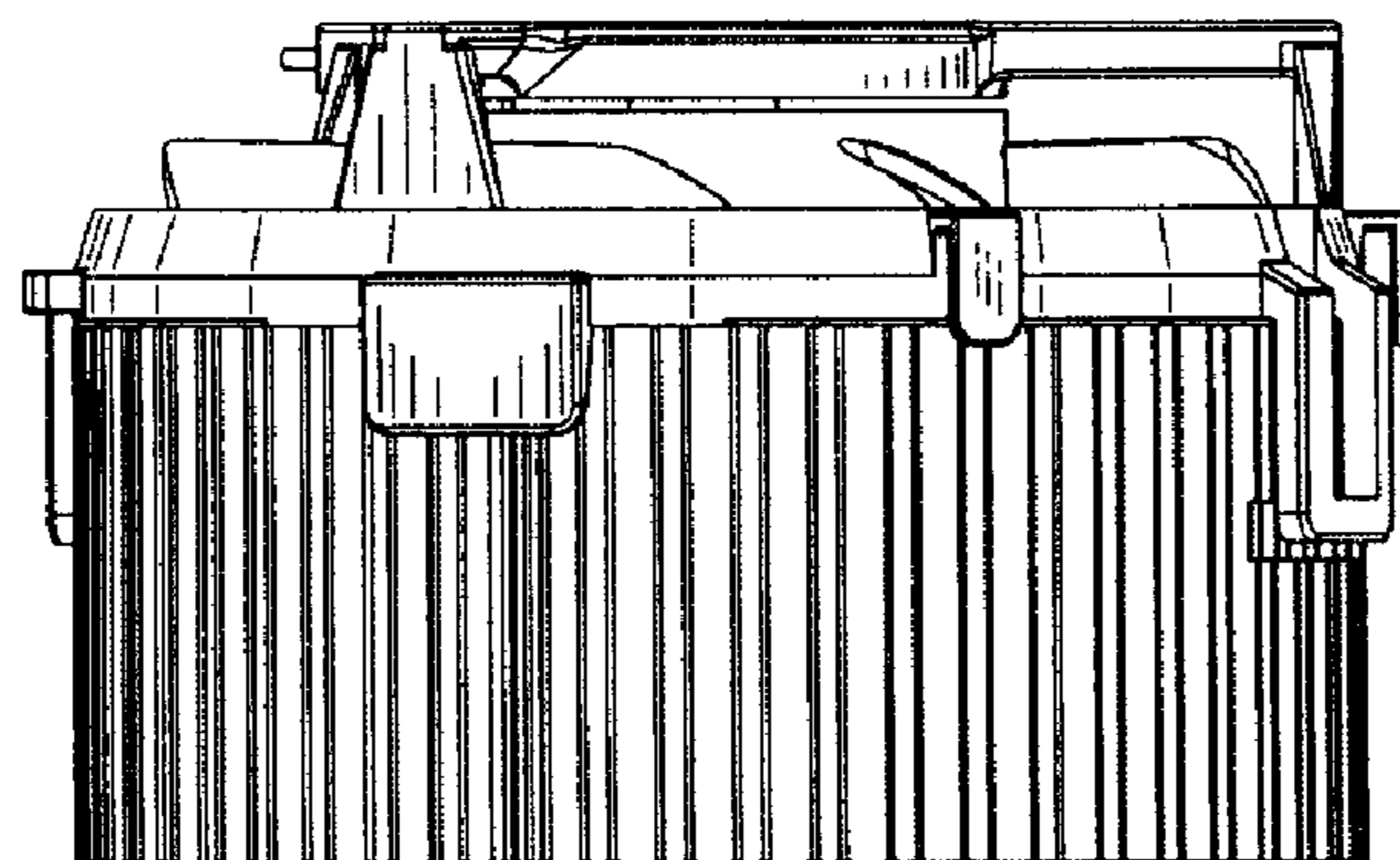


Fig. 3

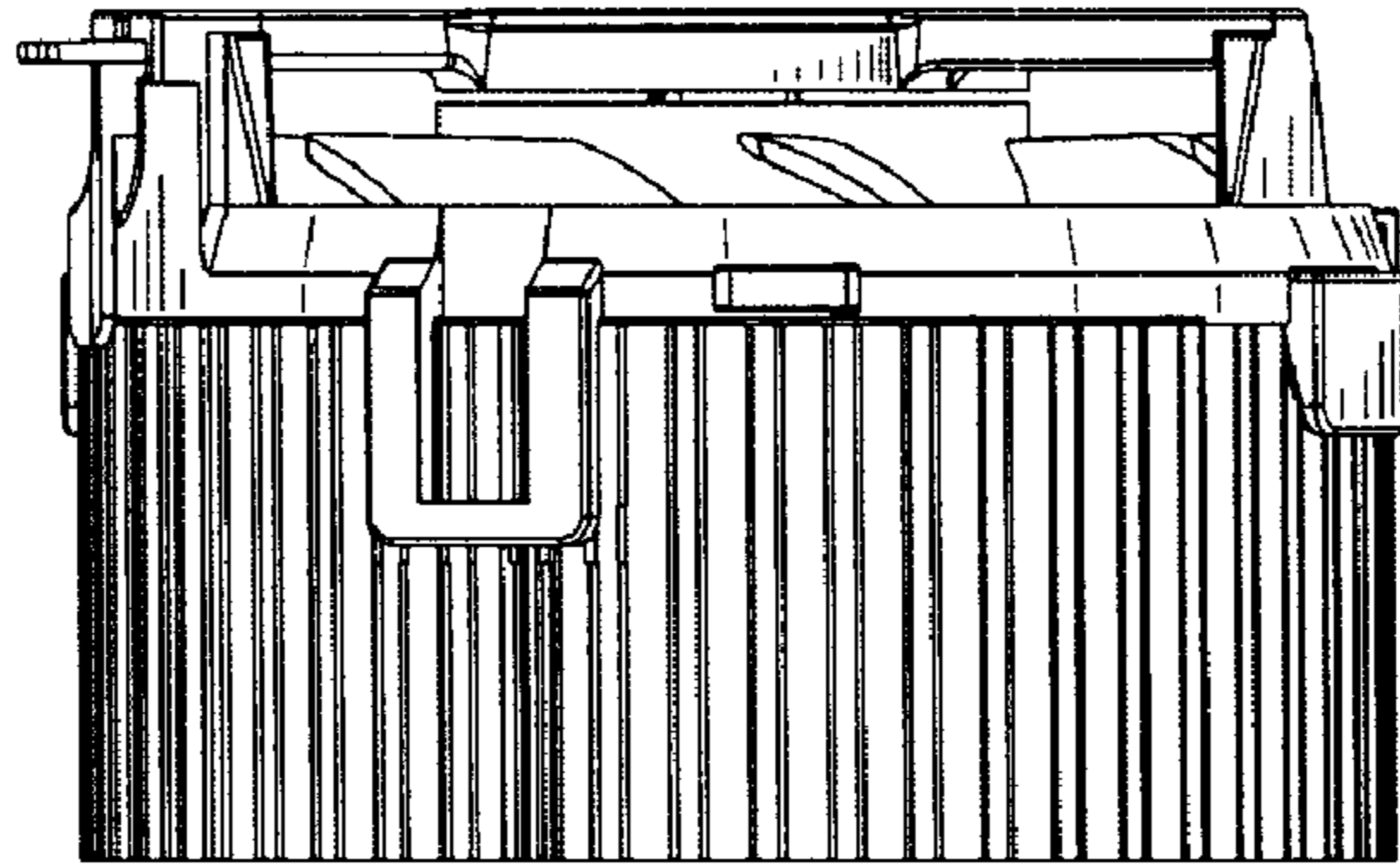


Fig. 4

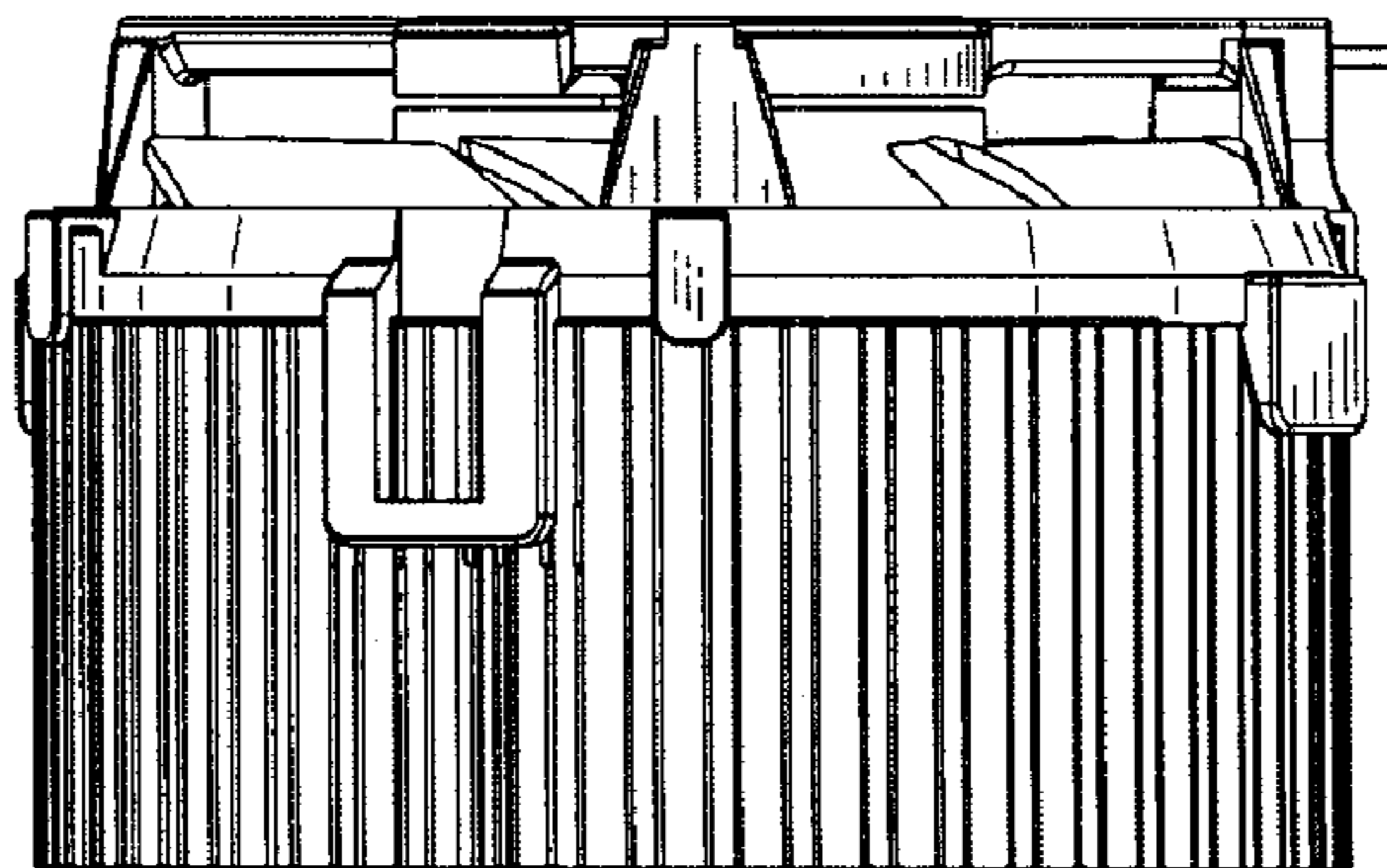


Fig. 5

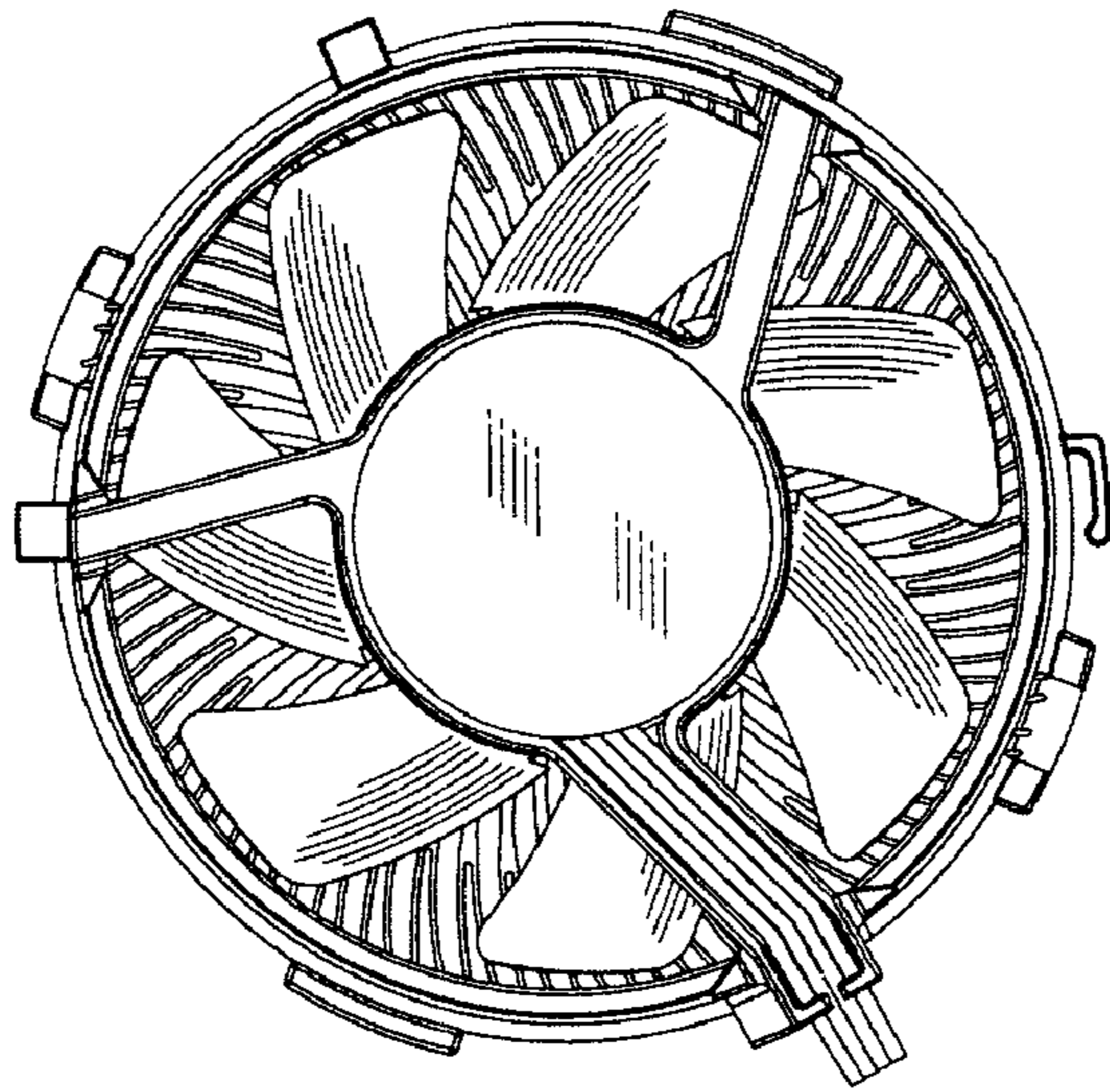


Fig. 6

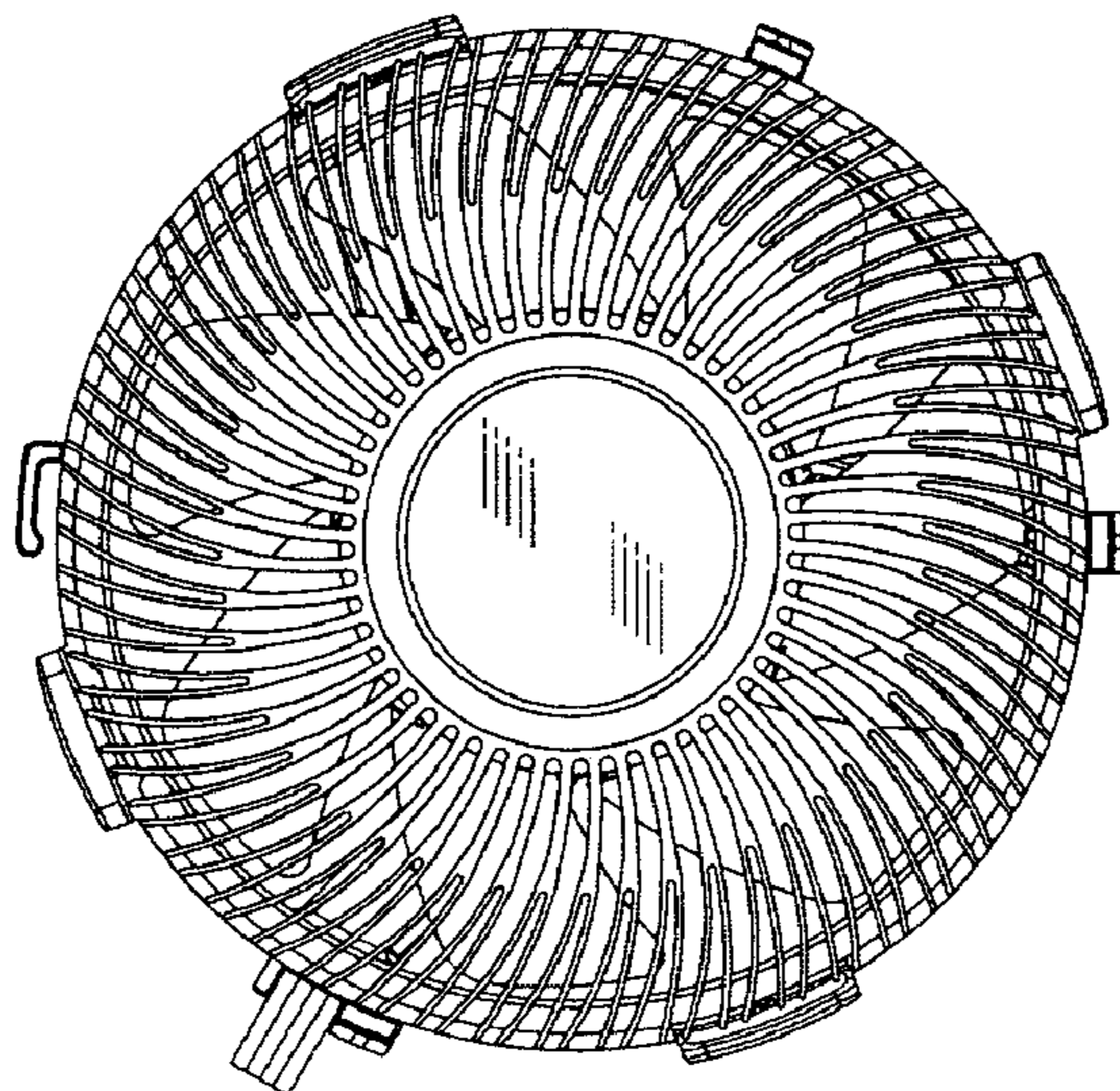


Fig. 7

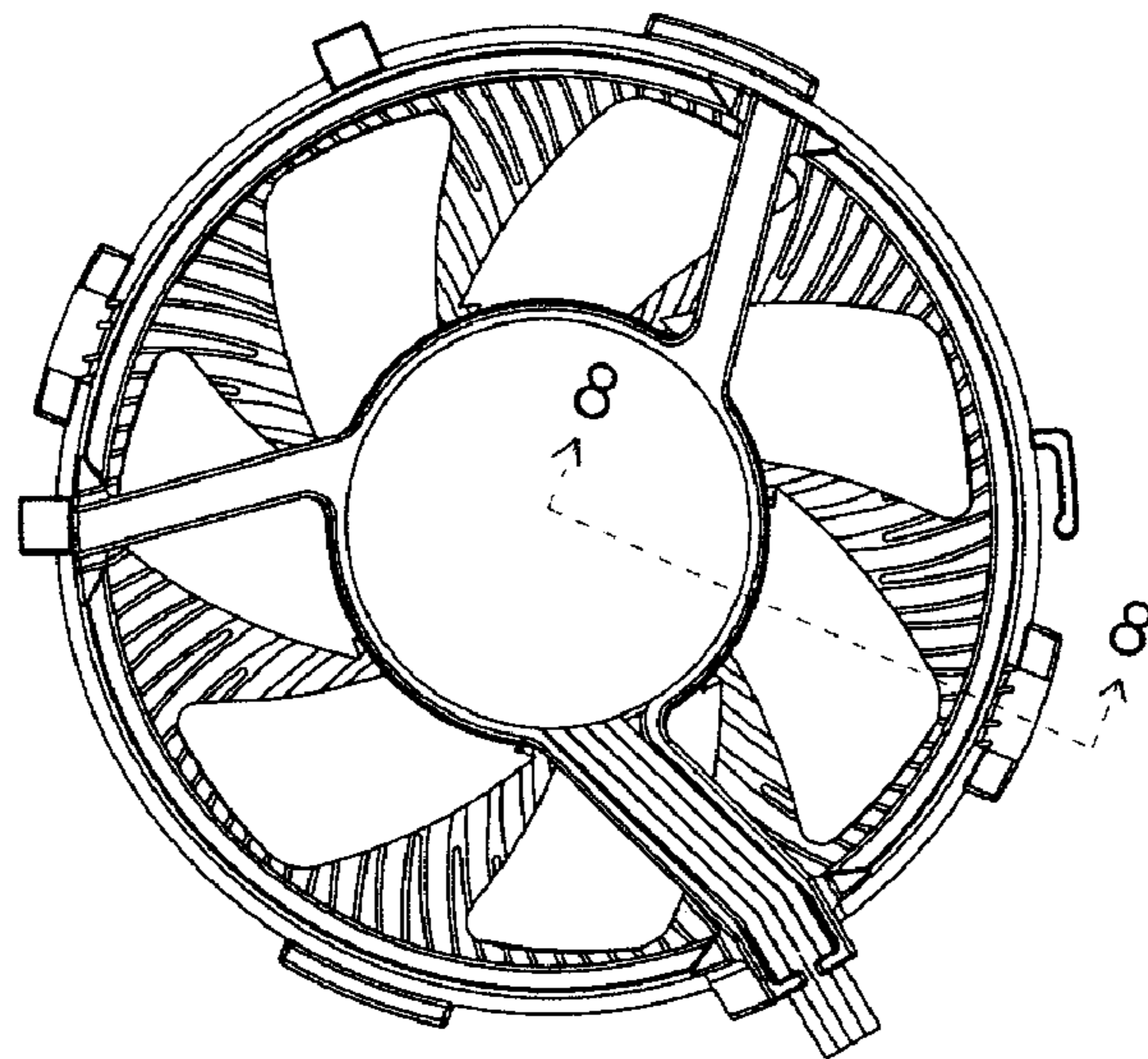


Fig. 8

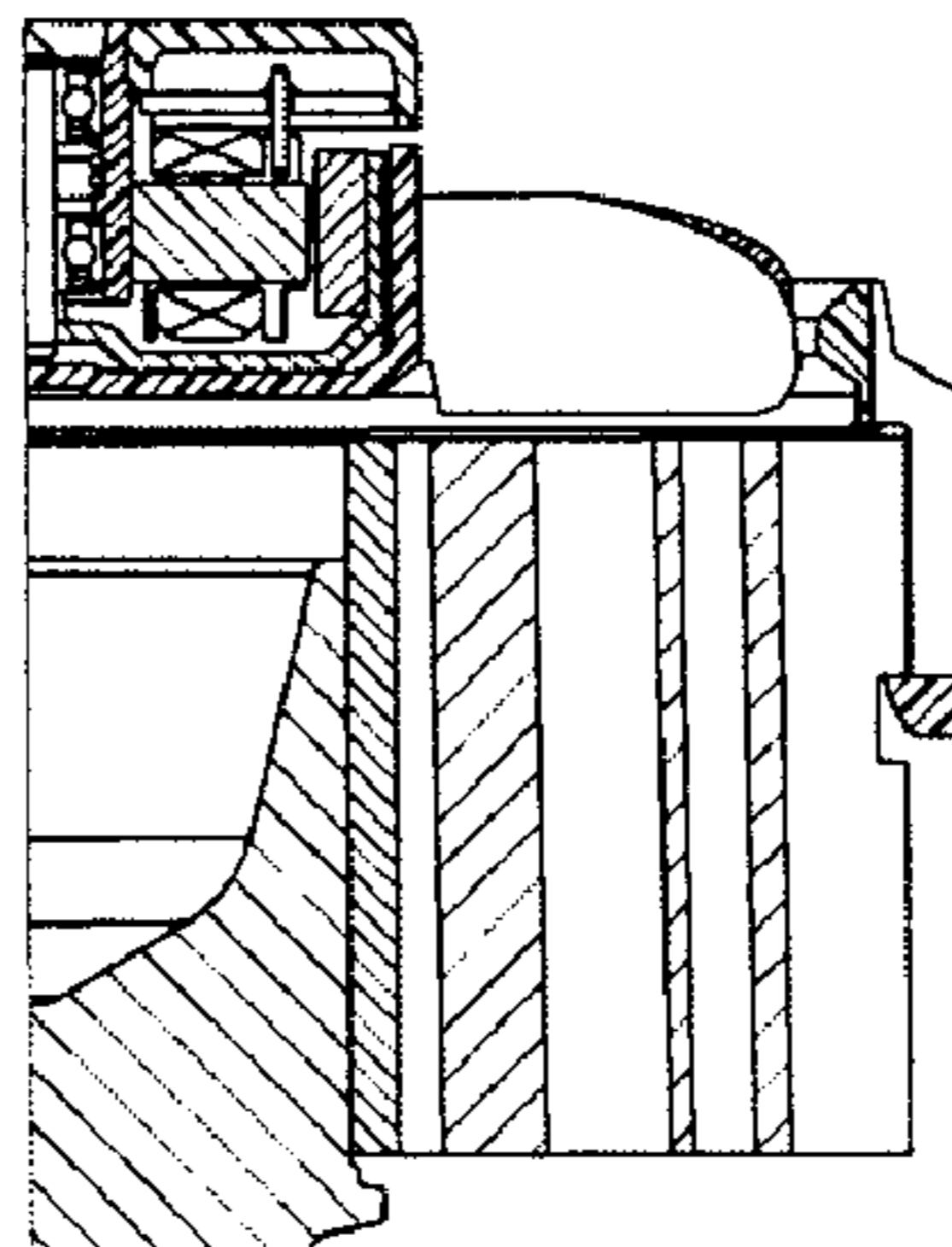
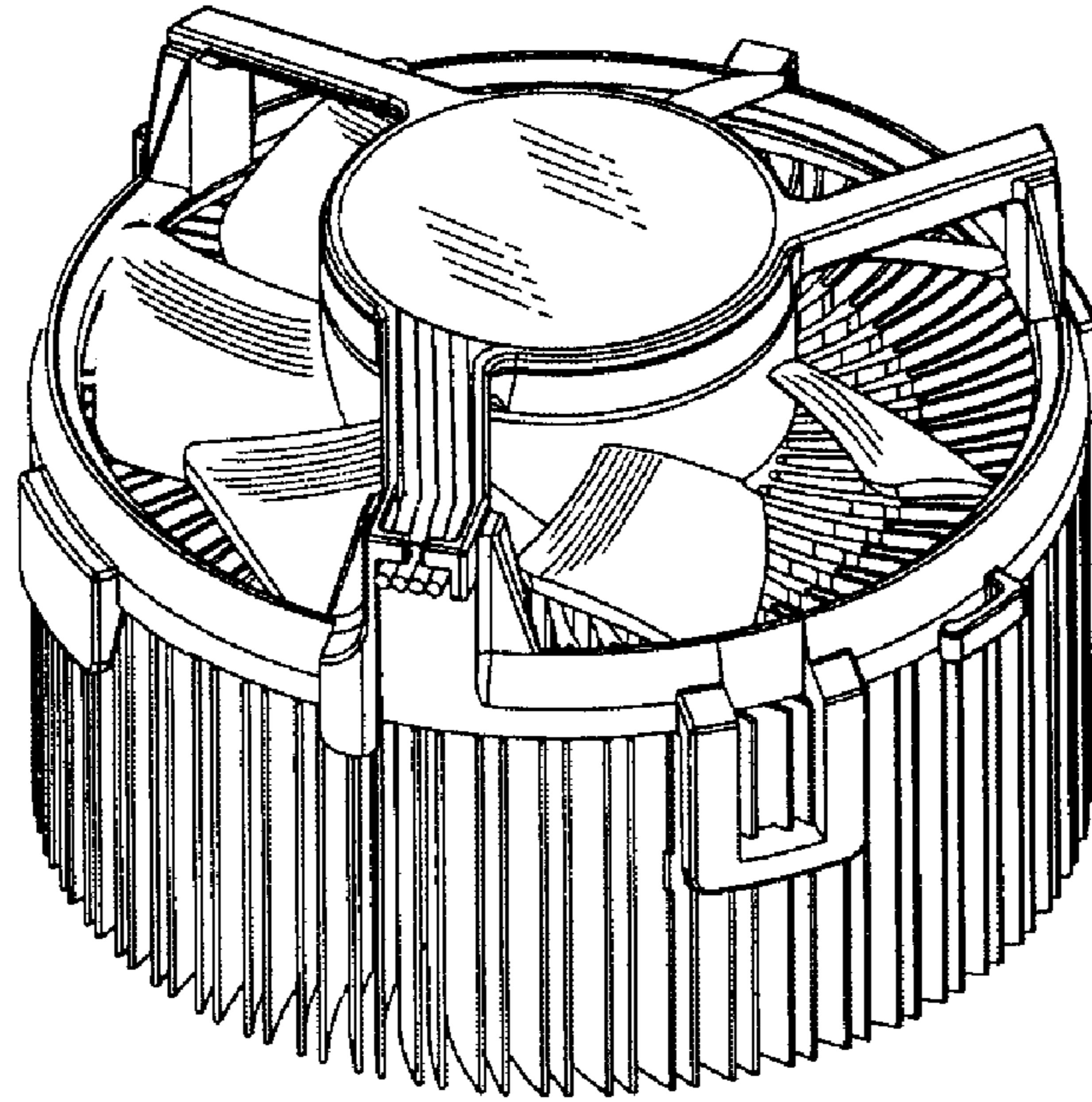


Fig. 9



UNITED STATES PATENT AND TRADEMARK OFFICE
CERTIFICATE OF CORRECTION

PATENT NO. : Des. 570,301 S
APPLICATION NO. : 29/249886
DATED : June 3, 2008
INVENTOR(S) : Watanabe et al.

Page 1 of 1

It is certified that error appears in the above-identified patent and that said Letters Patent is hereby corrected as shown below:

On the Title Page, Section [57], DESCRIPTION, Line 8, FIG. 7, delete "reference".

Signed and Sealed this

Nineteenth Day of August, 2008

A handwritten signature in black ink that reads "Jon W. Dudas". The signature is written in a cursive style with a large, looped initial "J".

JON W. DUDAS

Director of the United States Patent and Trademark Office