



US00D570300S

(12) **United States Design Patent**
Weinberg

(10) **Patent No.:** **US D570,300 S**
(45) **Date of Patent:** **** Jun. 3, 2008**

(54) **PUSH BUTTON FOR ELECTRONIC CIRCUIT**

(75) Inventor: **Andreas Weinberg**, Filderstadt (DE)

(73) Assignee: **Georg Schlegel GmbH & Co. KG**, Duermentingen (DE)

(**) Term: **14 Years**

(21) Appl. No.: **29/273,149**

(22) Filed: **Feb. 27, 2007**

(30) **Foreign Application Priority Data**

Sep. 2, 2006	(EM)	000588355-0001
Sep. 2, 2006	(EM)	000588355-0002
Sep. 2, 2006	(EM)	000588355-0003
Sep. 2, 2006	(EM)	000588355-0004
Sep. 2, 2006	(EM)	000588355-0005
Sep. 2, 2006	(EM)	000588355-0006

(51) **LOC (8) Cl.** **13-03**

(52) **U.S. Cl.** **D13/174**

(58) **Field of Classification Search** D13/158,
D13/162, 164, 171, 173, 174; 200/293, 296,
200/302.1, 336, 341, 412, 417, 520
See application file for complete search history.

(56) **References Cited**

U.S. PATENT DOCUMENTS

4,249,057	A *	2/1981	Schlegel et al.	200/296
4,590,342	A *	5/1986	Schlegel	200/341
D344,930	S *	3/1994	Schaeffer	D13/171
D362,841	S *	10/1995	Roza	D13/171
D374,658	S *	10/1996	Bever et al.	D13/177
D377,337	S *	1/1997	Schaeffer	D13/171
D437,835	S *	2/2001	Decosse	D13/174
D469,411	S *	1/2003	Decosse	D13/174

* cited by examiner

Primary Examiner—Daniel Bui
Assistant Examiner—Thomas J Johannes
(74) *Attorney, Agent, or Firm*—Burr & Brown

(57) **CLAIM**

The ornamental design for a push button for electronic circuit, as shown and described.

DESCRIPTION

FIG. 1 is a perspective view illustrating a first embodiment of my new design, which includes an upper push button part and support body;

FIG. 2 is a top view thereof;

FIG. 3 is a bottom view thereof;

FIG. 4 is a left side view thereof;

FIG. 5 is a front view thereof;

FIG. 6 is a rear view thereof; and

FIG. 7 is a right side view thereof.

FIG. 8 is a perspective view of the upper push button part of FIG. 1, which is the visible part of the overall push button structure when the push button is installed on a mounting surface;

FIG. 9 is a top view thereof;

FIG. 10 is a bottom view thereof (the features shown in FIG. 10 are not part of the claimed design);

FIG. 11 is a left side view thereof;

FIG. 12 is a front view thereof;

FIG. 13 is a rear view thereof; and,

FIG. 14 is a right side view thereof.

The broken lines in the drawings represent unclaimed subject matter.

1 Claim, 8 Drawing Sheets

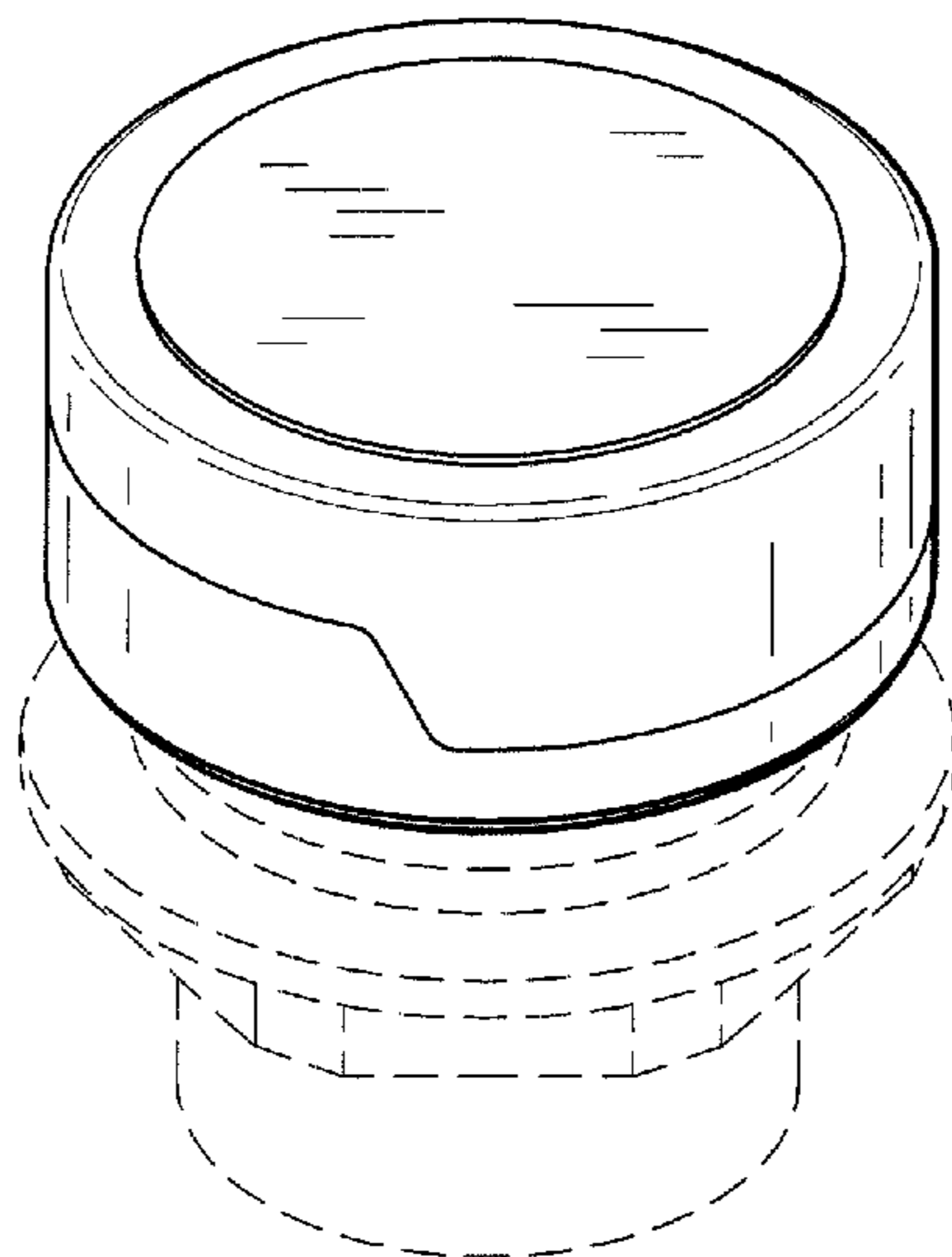


FIG. 1

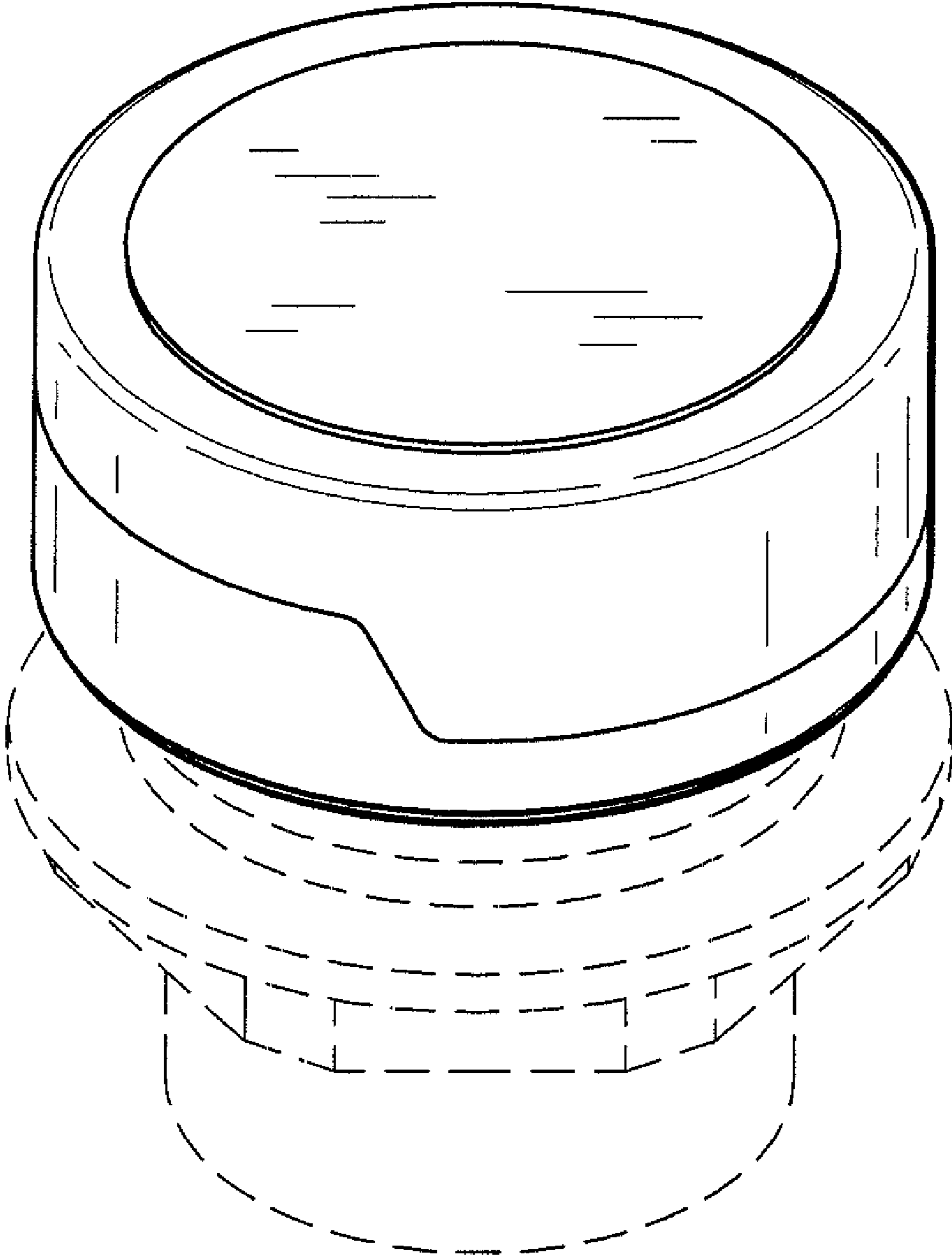


FIG. 2

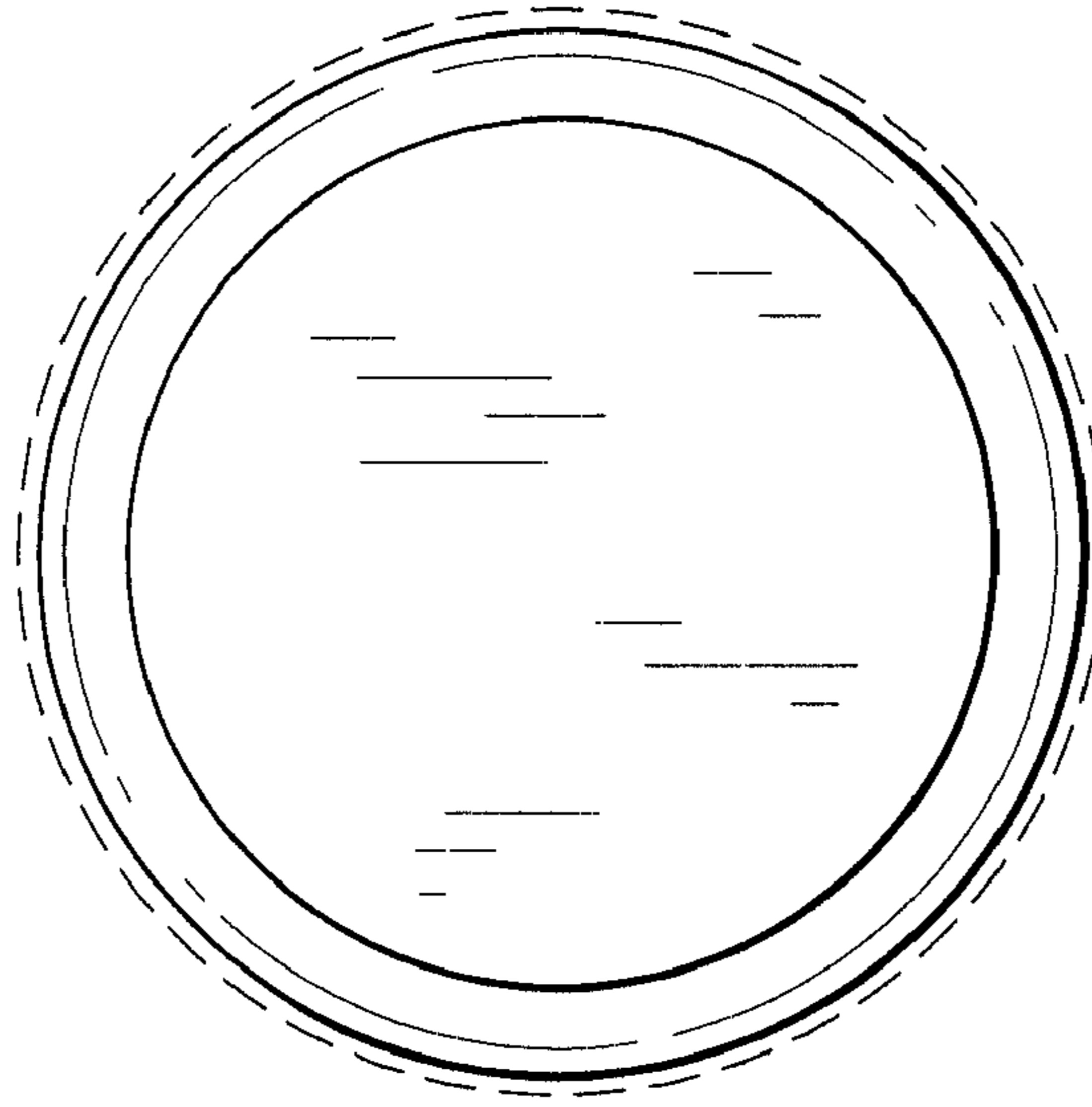


FIG. 3

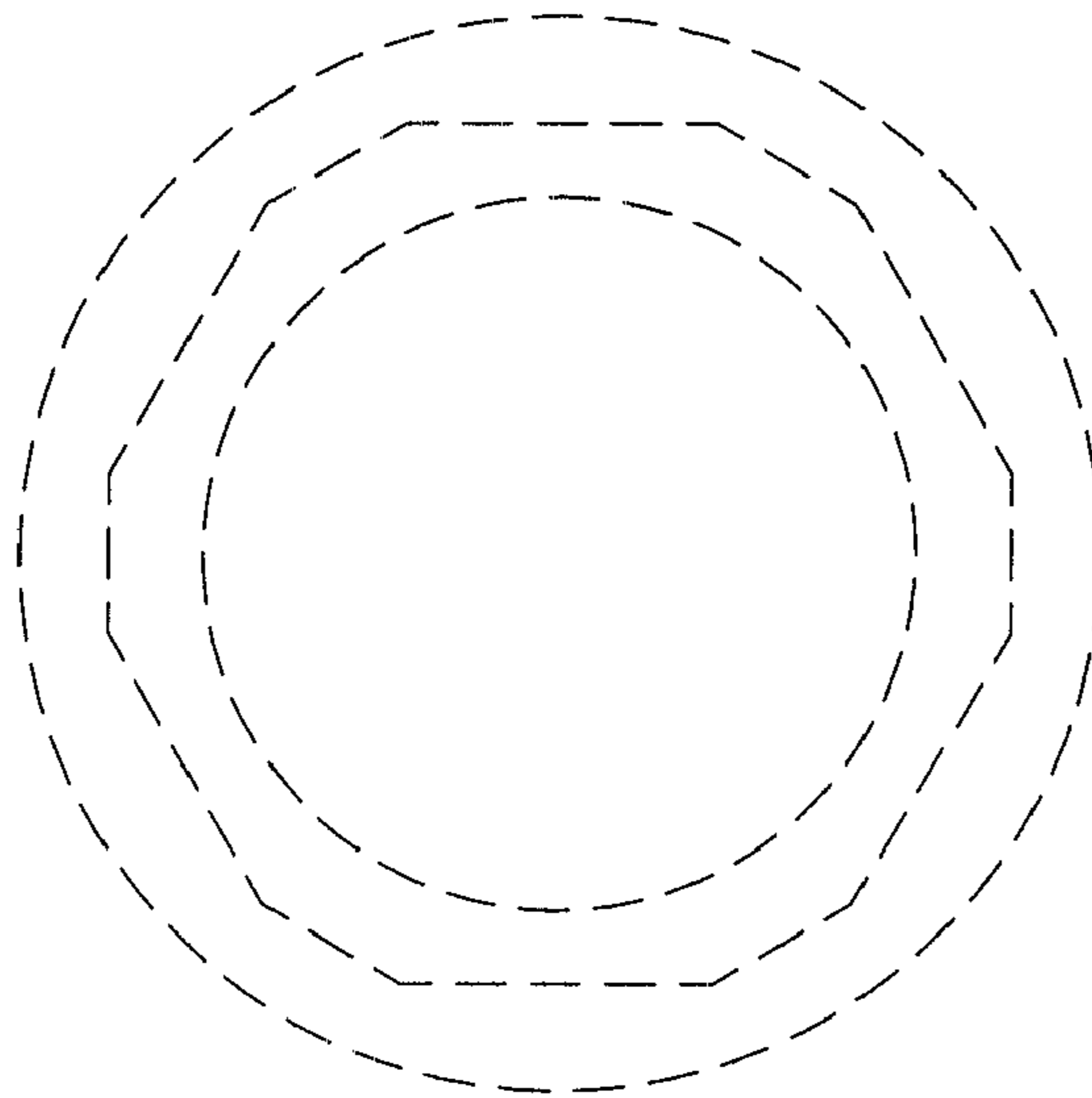


FIG. 4

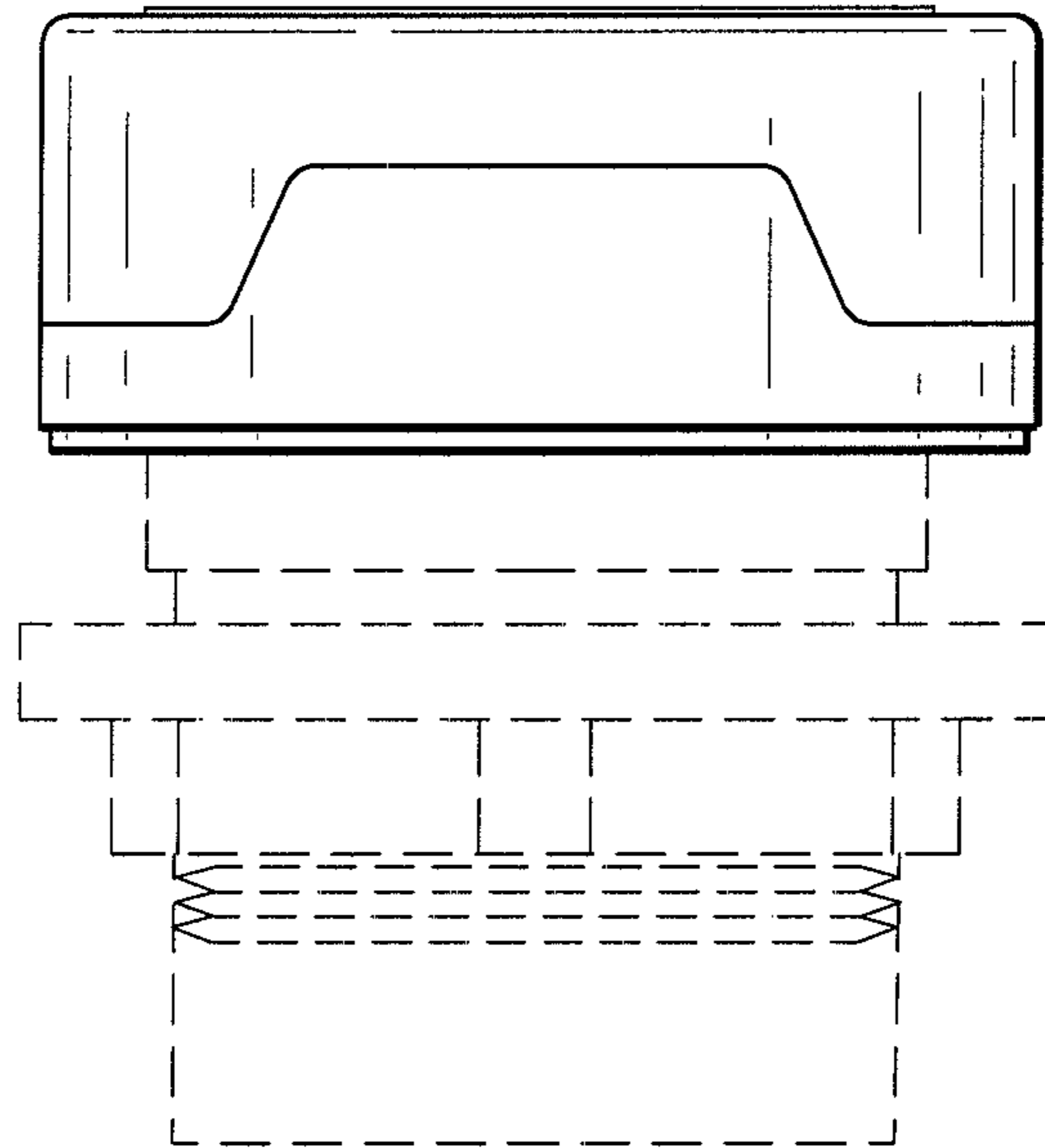


FIG. 5

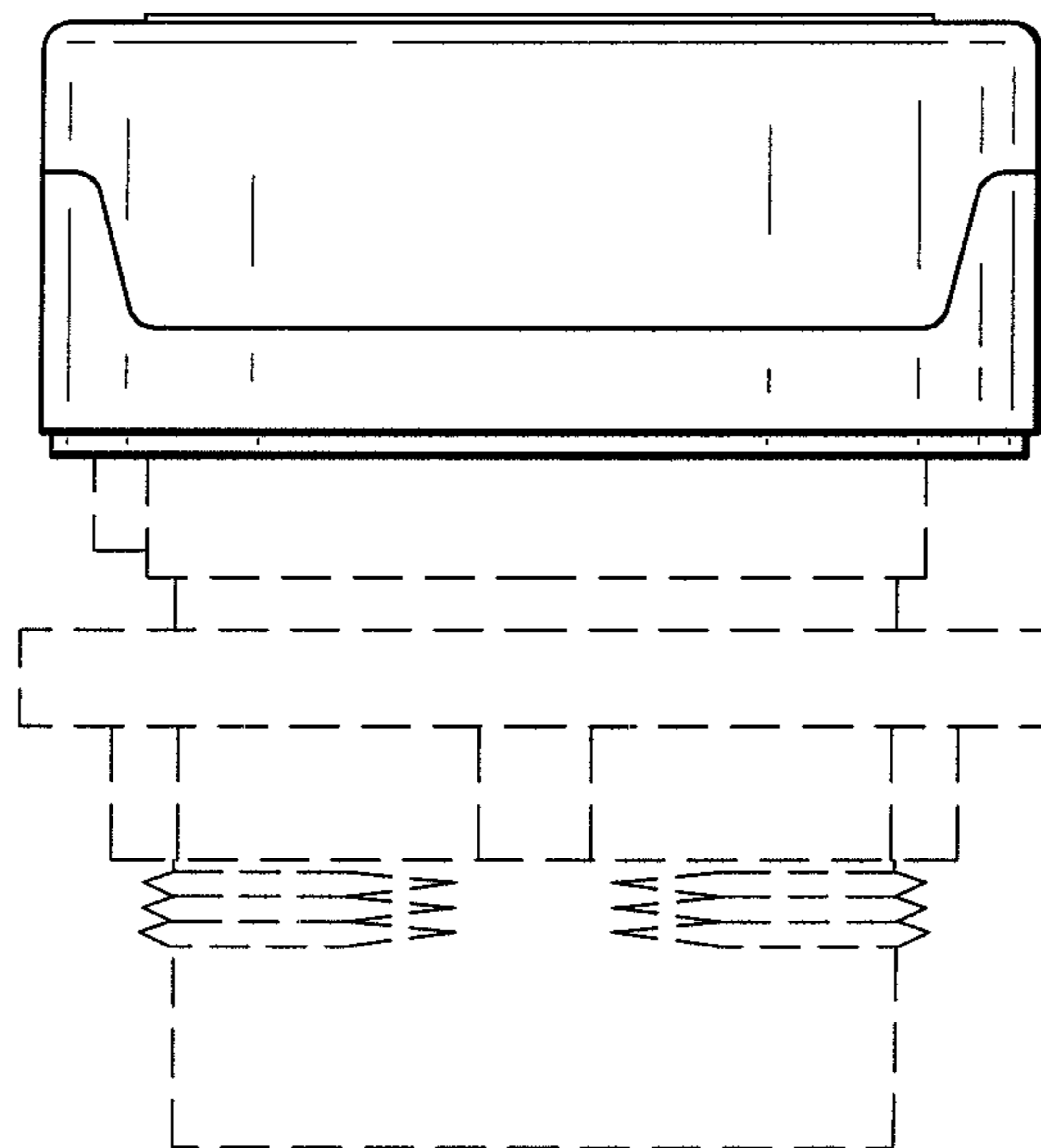


FIG. 6

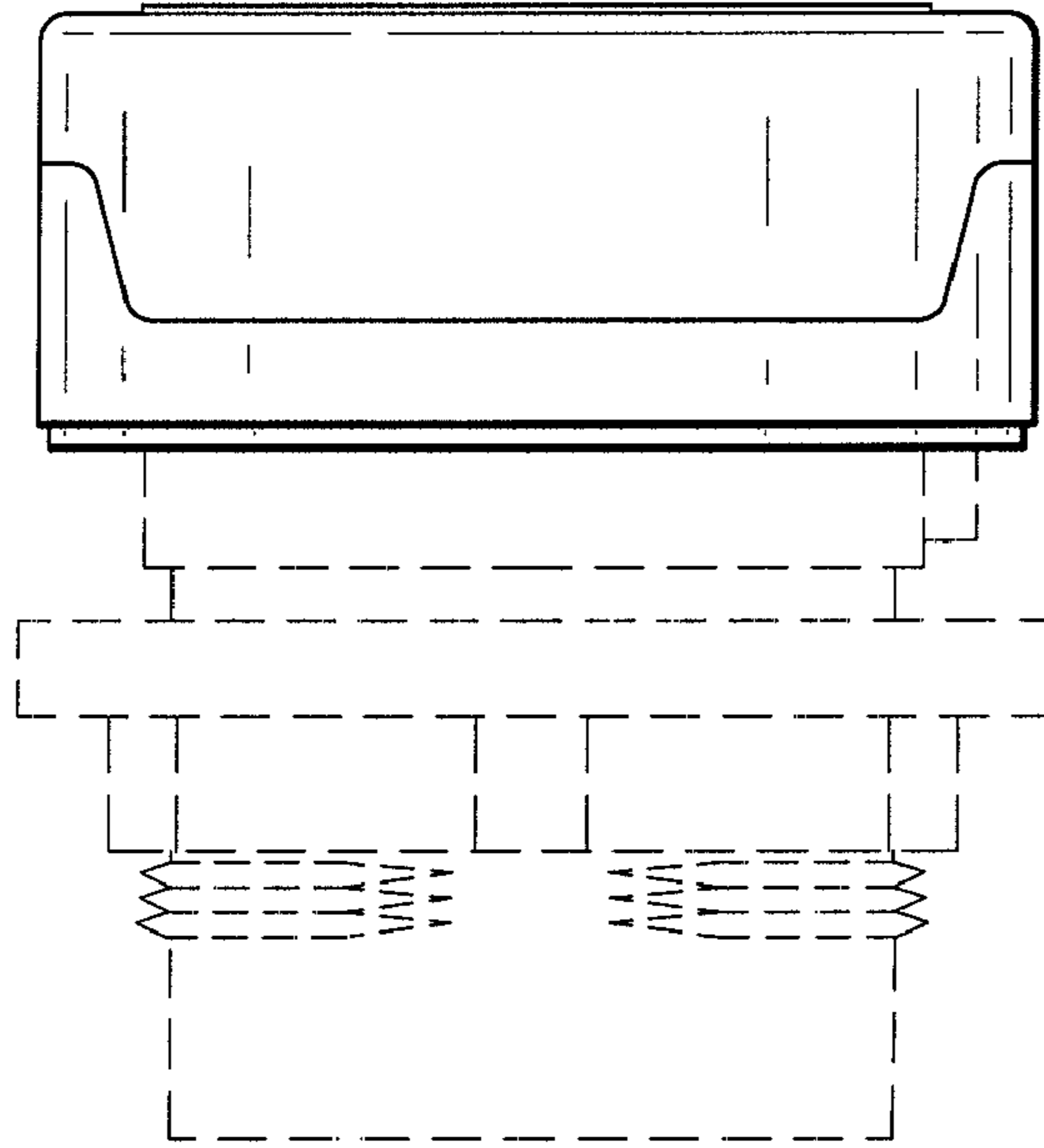


FIG. 7

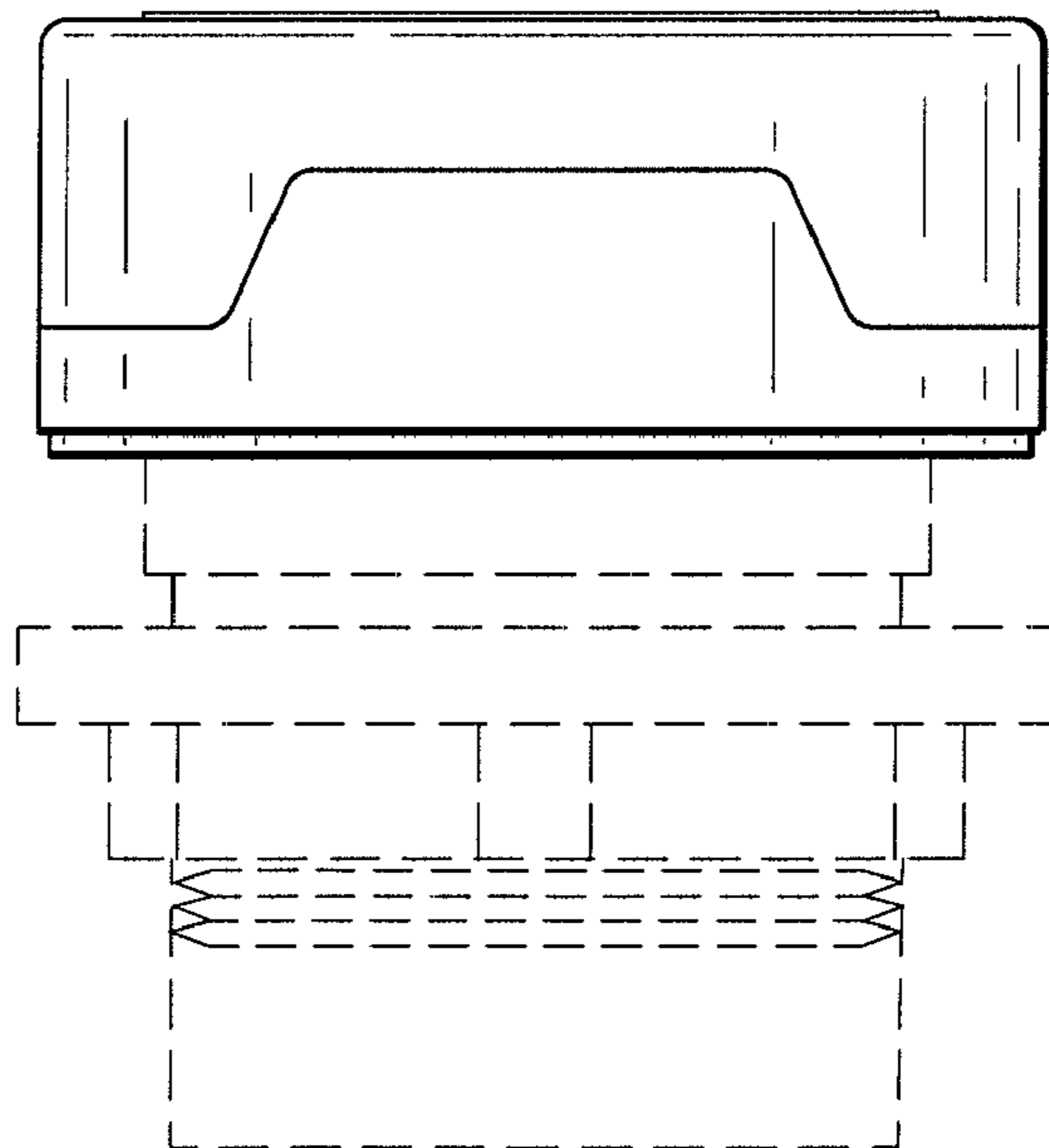


FIG. 8

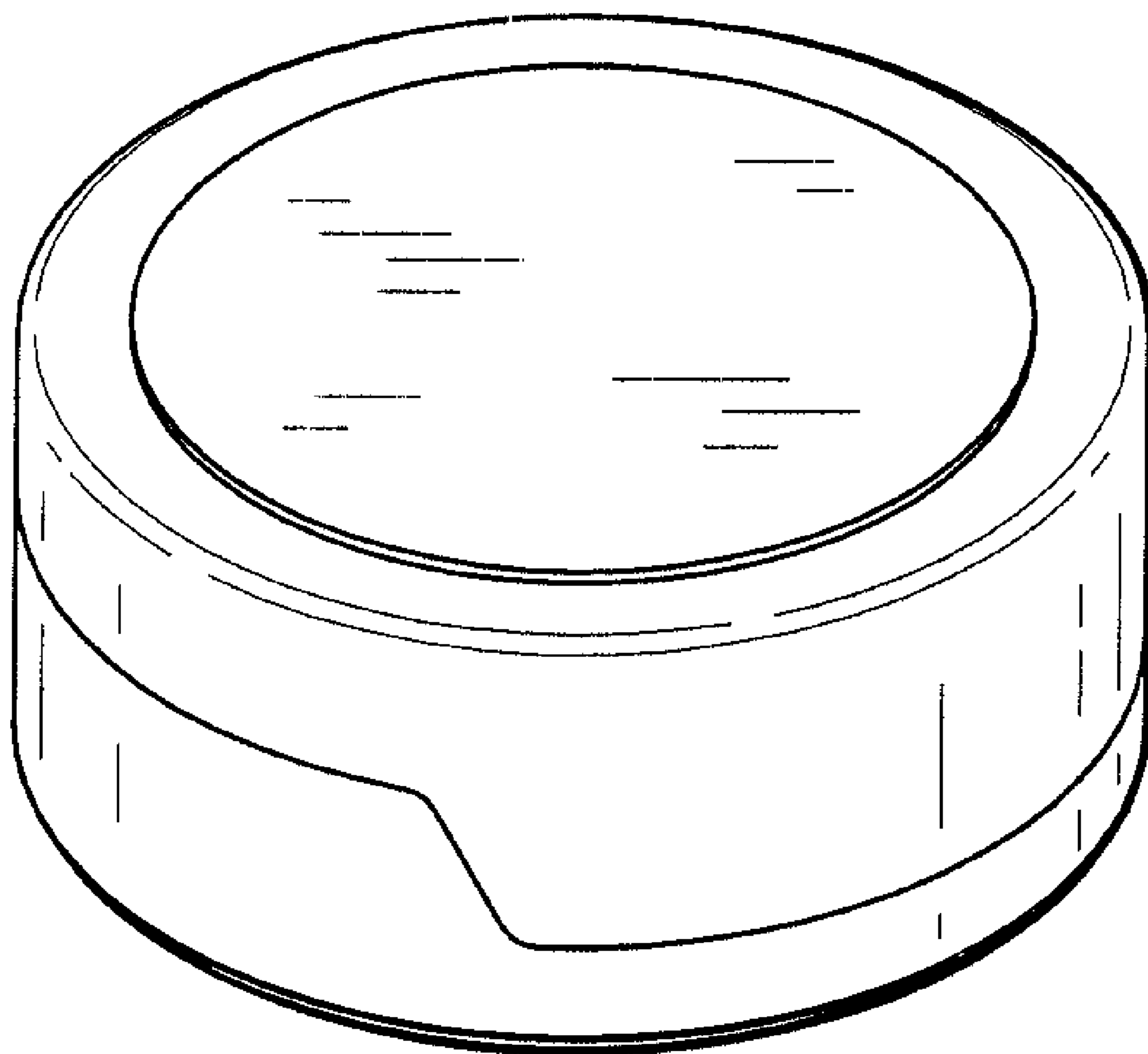


FIG. 9

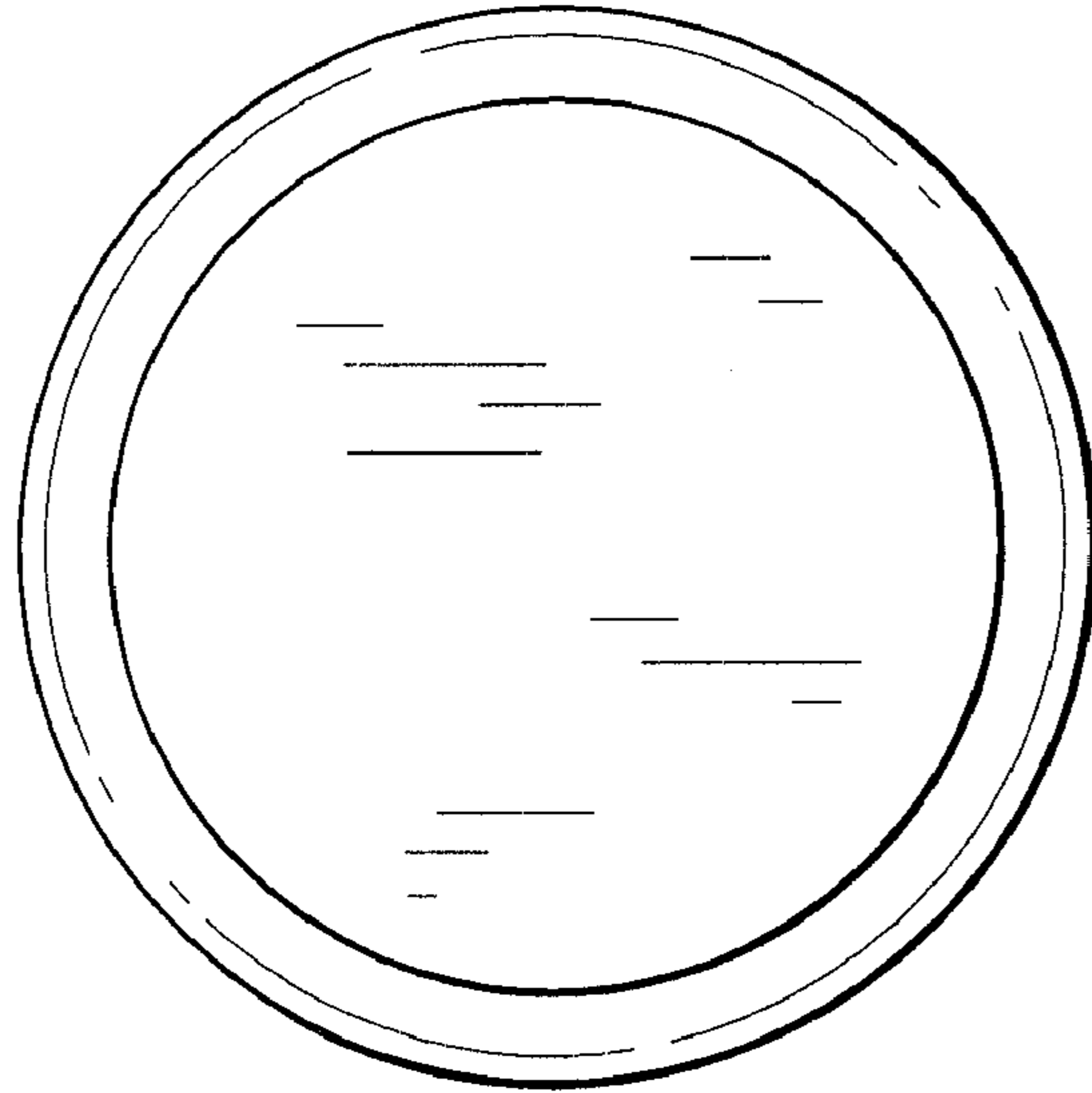


FIG. 10

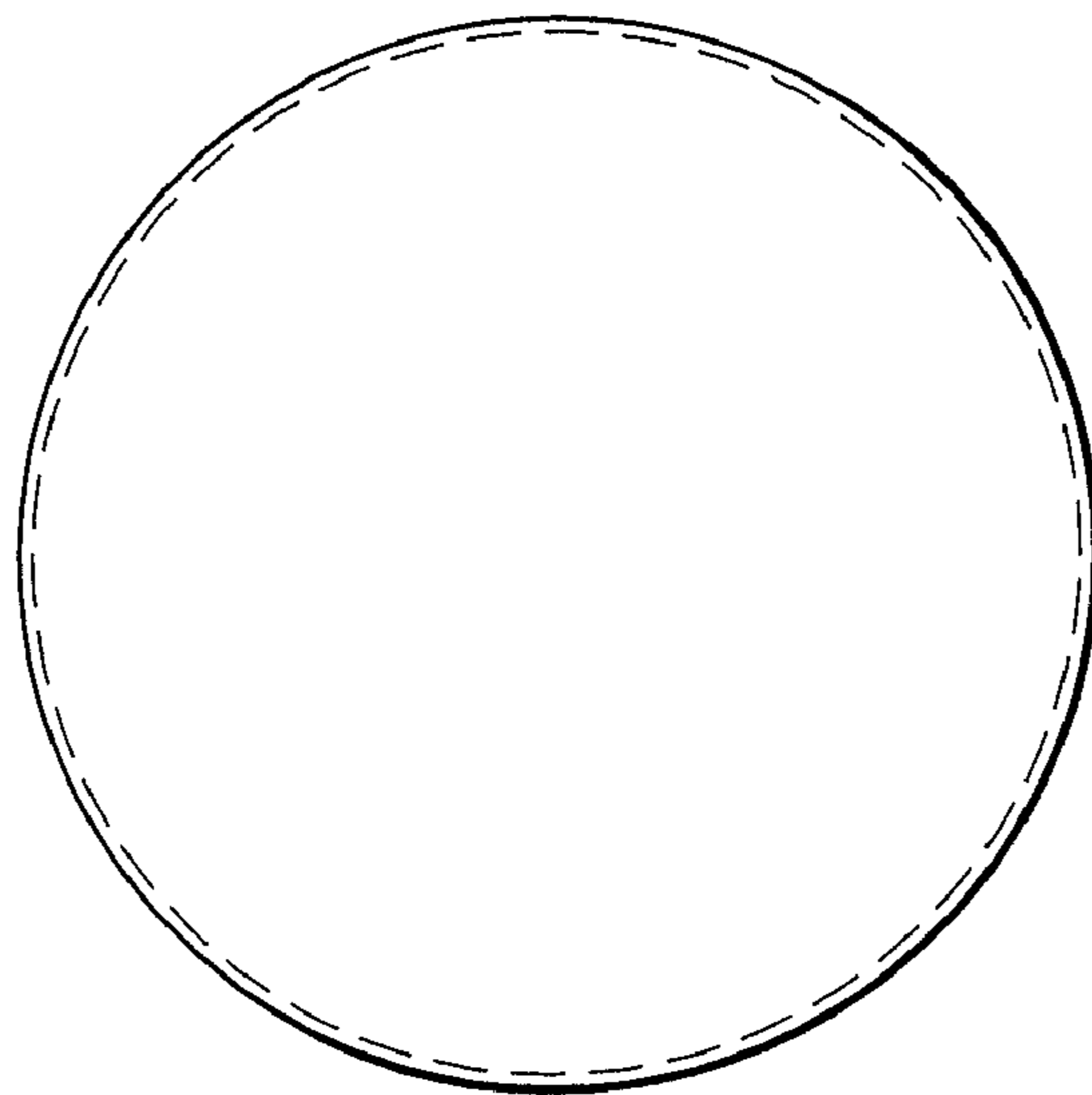


FIG. 11

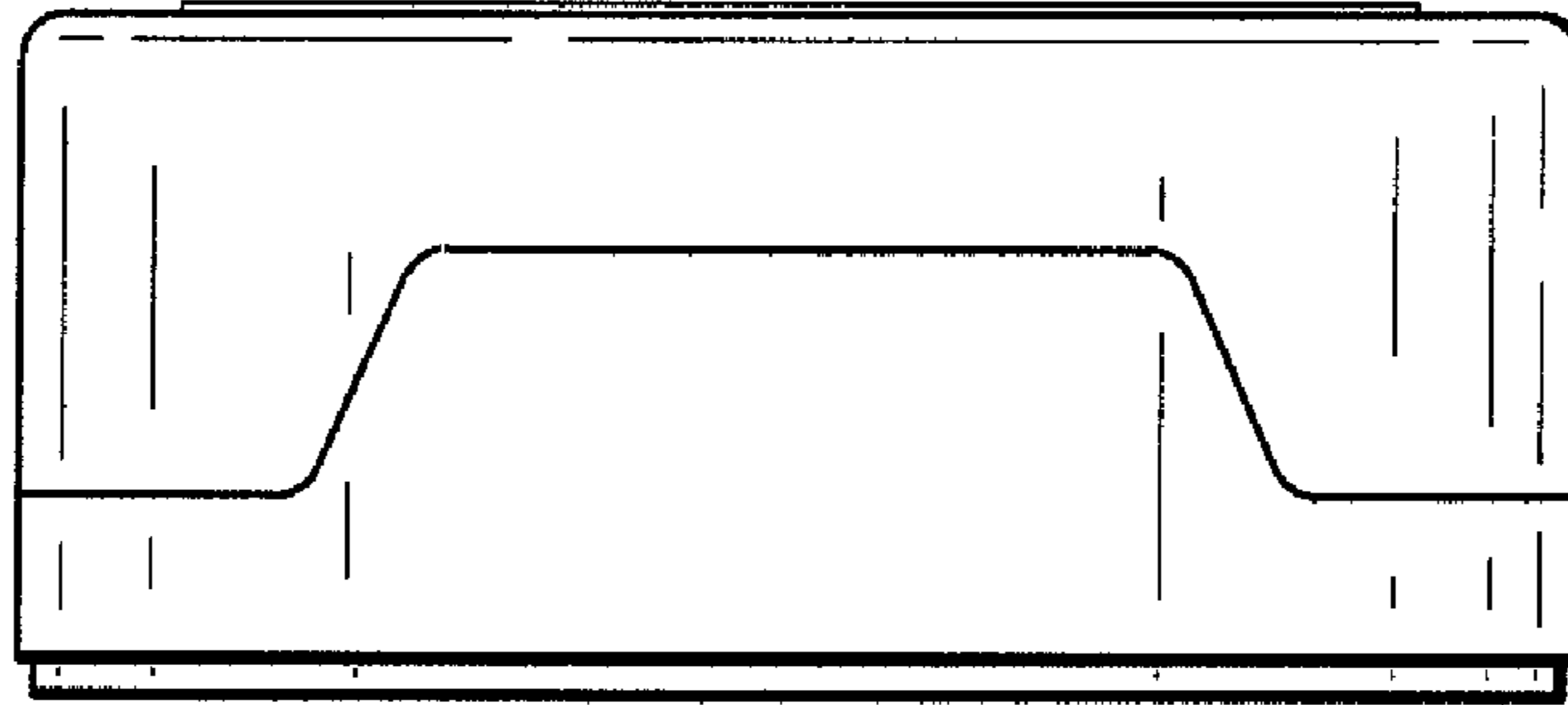


FIG. 12

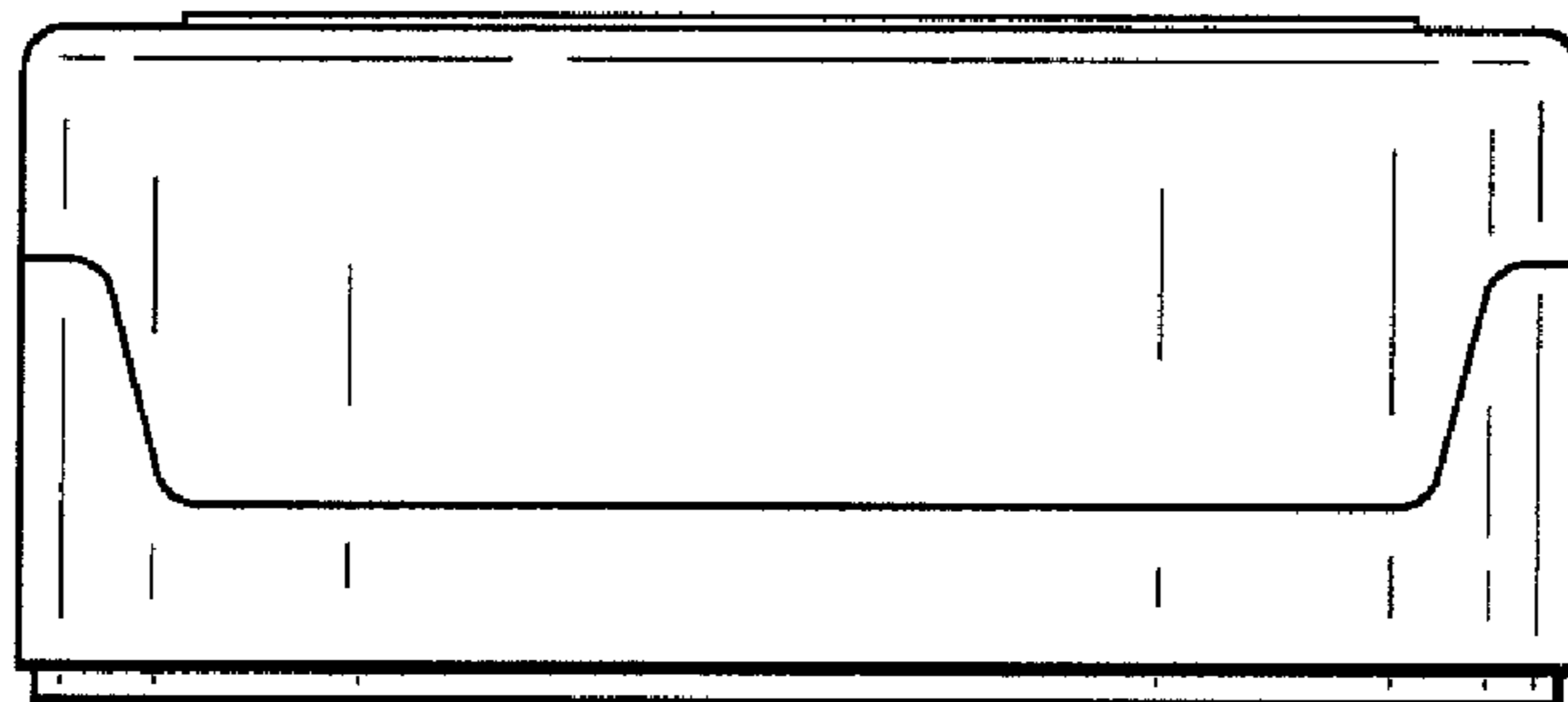


FIG. 13

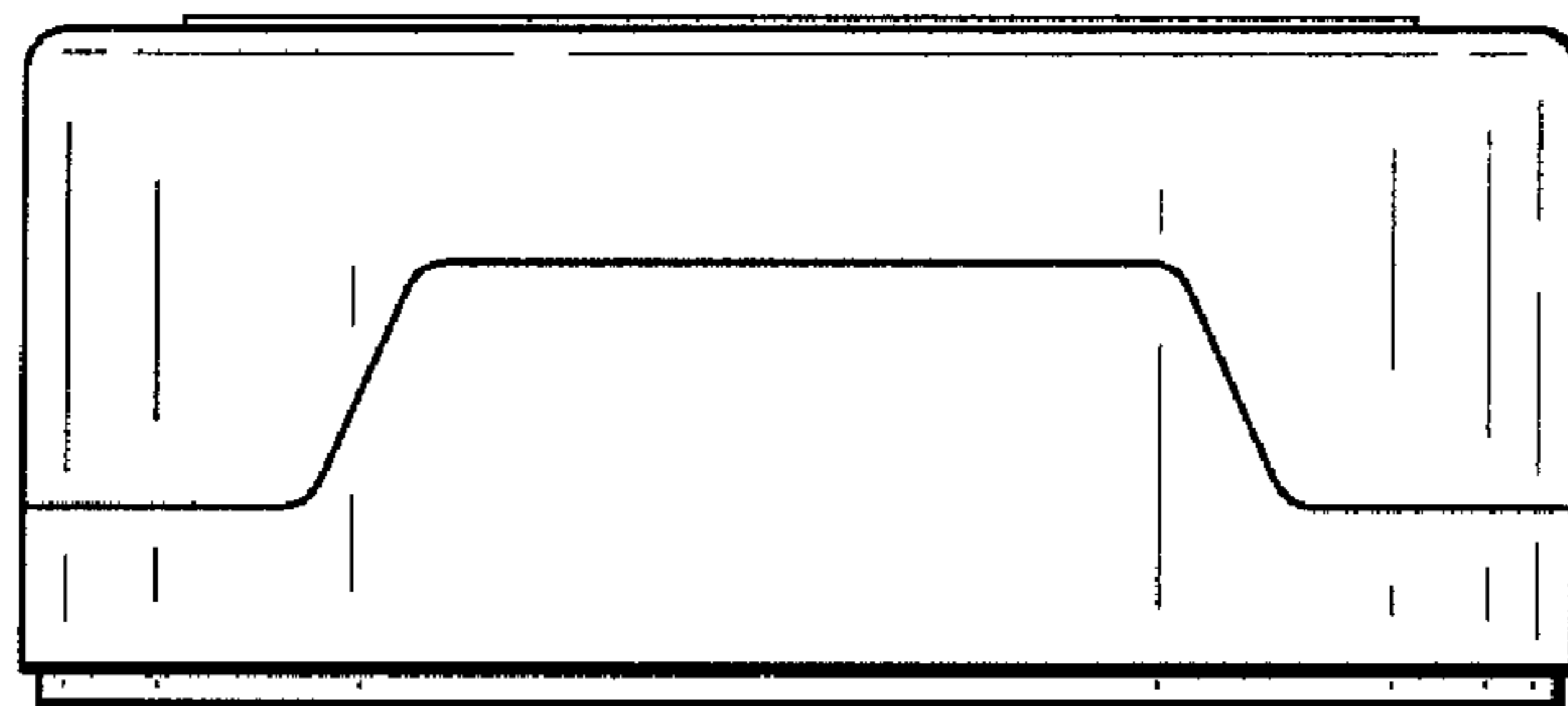


FIG. 14

