

US00D570299S

(12) **United States Design Patent**
Jacoby et al.

(10) **Patent No.:** **US D570,299 S**
(45) **Date of Patent:** **** Jun. 3, 2008**

(54) **DIMMER SWITCH**

(75) Inventors: **Elliot G. Jacoby**, Glenside, PA (US);
Gregory Altonen, Easton, PA (US);
Jeremy Nearhoof, Lansdale, PA (US);
Noel Mayo, Philadelphia, PA (US); **Joel S. Spira**, Coopersburg, PA (US)

4,947,054 A 8/1990 Flowers et al.
5,118,910 A 6/1992 Duhon et al.
5,196,782 A 3/1993 D'Aleo et al.
5,338,910 A 8/1994 Tsai
D380,451 S 7/1997 Krajci et al.
5,825,279 A 10/1998 Yagi
D453,742 S 2/2002 Butler et al.
6,963,040 B1 11/2005 Urman

(73) Assignee: **Lutron Electronics Co., Inc.**,
Coopersburg, PA (US)

(**) Term: **14 Years**

(21) Appl. No.: **29/284,023**

(22) Filed: **Aug. 29, 2007**

Related U.S. Application Data

(62) Division of application No. 29/263,118, filed on Jul. 17, 2006.

(51) **LOC (8) Cl.** **13-03**

(52) **U.S. Cl.** **D13/170**

(58) **Field of Classification Search** D13/162,
D13/169, 170; 174/66; 200/530, 531, 536,
200/252, 293, 333, 335, 329; 338/128, 176;
D8/353; 307/116, 125, 139

See application file for complete search history.

(56) **References Cited**

U.S. PATENT DOCUMENTS

3,693,129 A 9/1972 Shimizu
4,196,406 A 4/1980 Salem
4,246,494 A 1/1981 Foreman et al.
4,559,515 A 12/1985 Takezawa

FOREIGN PATENT DOCUMENTS

EM 000249248-0003 1/2005
EM 000249248-0004 1/2005
EM 000249248-0005 1/2005

Primary Examiner—Selina Sikder

(74) *Attorney, Agent, or Firm*—Mark E. Rose

(57) **CLAIM**

We claim the ornamental design for a dimmer switch, as shown and described.

DESCRIPTION

FIG. 1 is a perspective view of a dimmer switch according to an embodiment of our new design.

FIG. 2 is a front view thereof.

FIG. 3 is a left side view thereof.

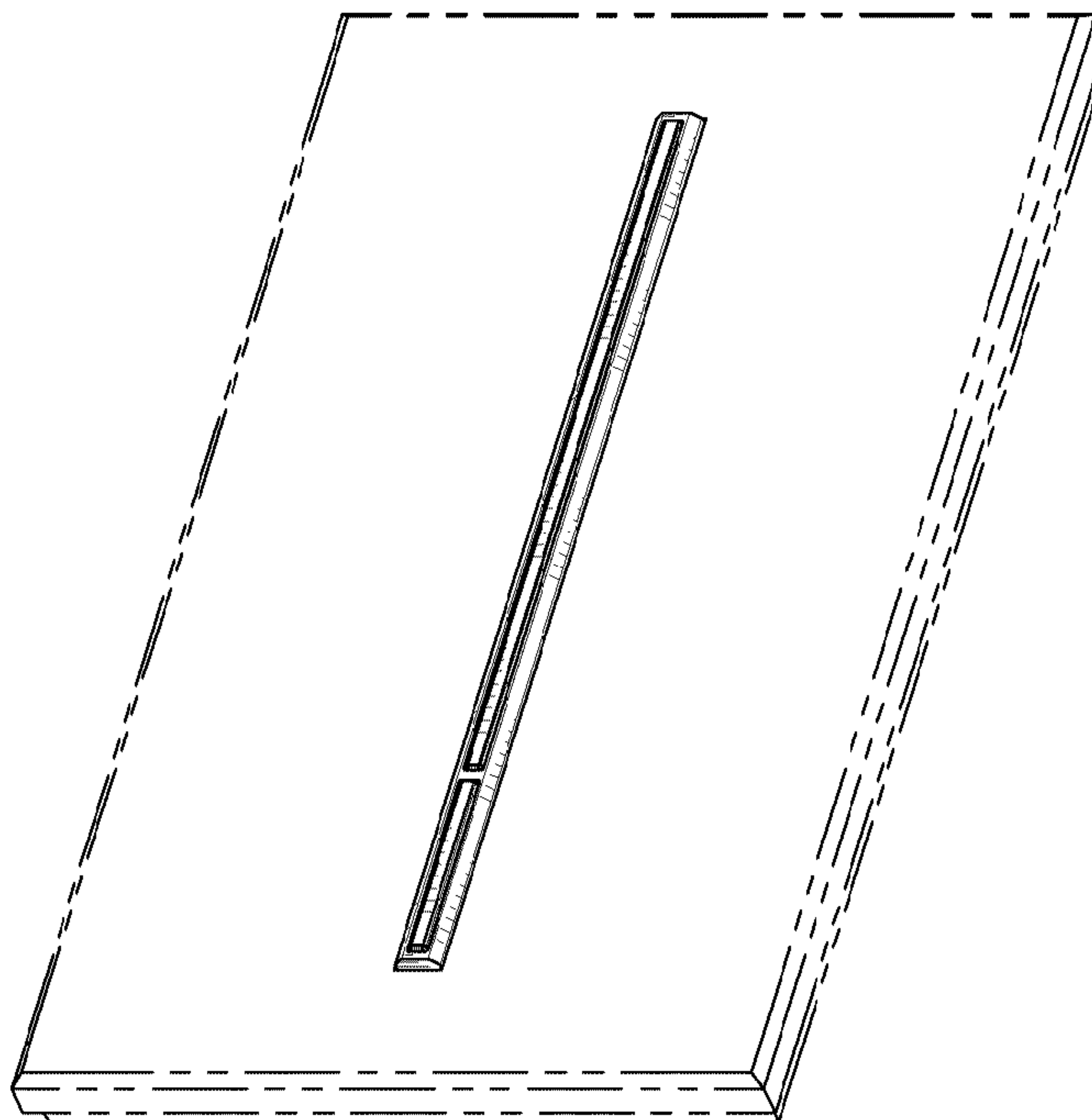
FIG. 4 is a right side view thereof.

FIG. 5 is a top view thereof; and,

FIG. 6 is a bottom view thereof.

The rear views form no part of the design and are omitted. The portions of the drawings appearing in broken line are for environment only and do not form a part of the design.

1 Claim, 4 Drawing Sheets



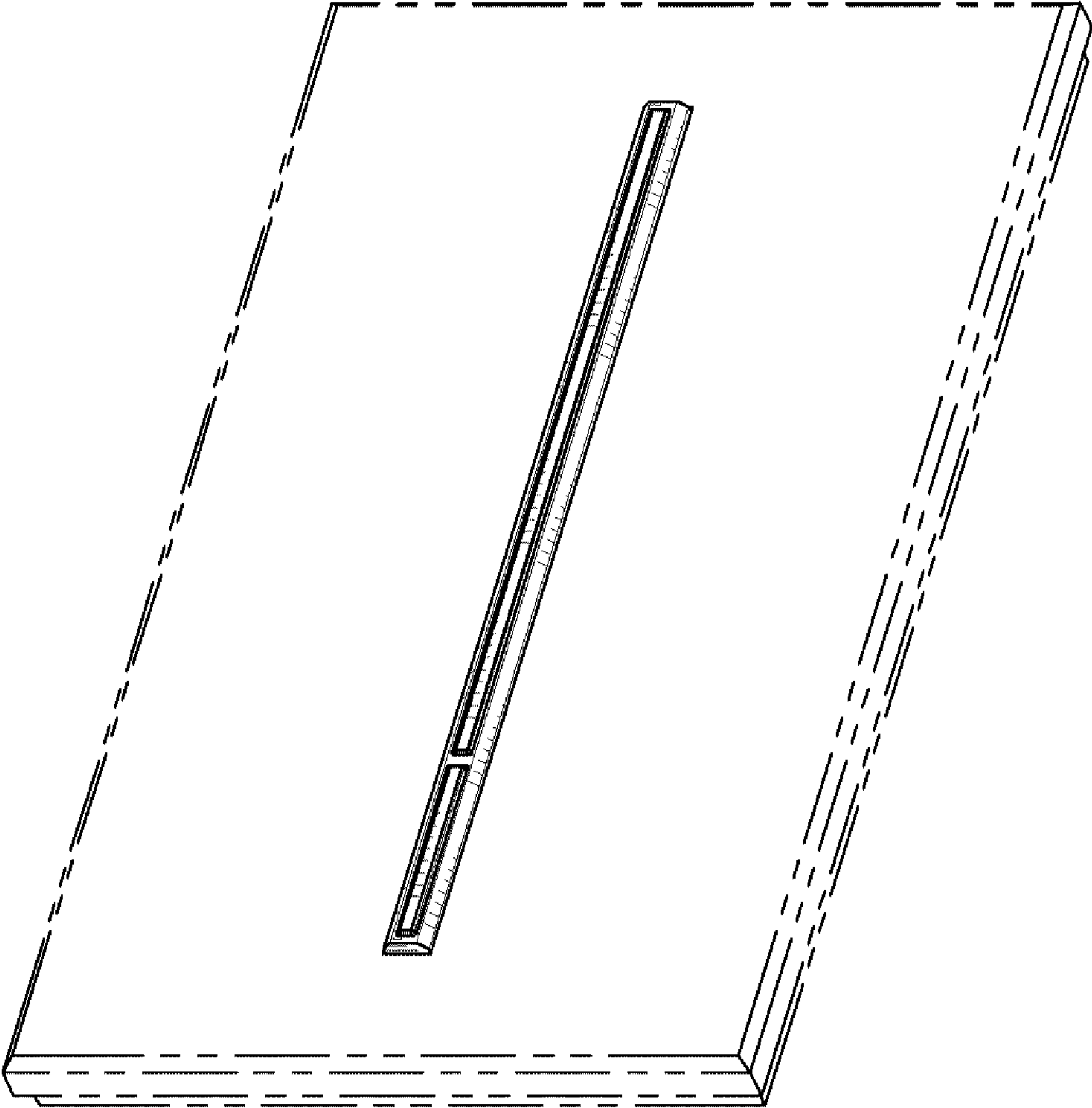


Fig. 1

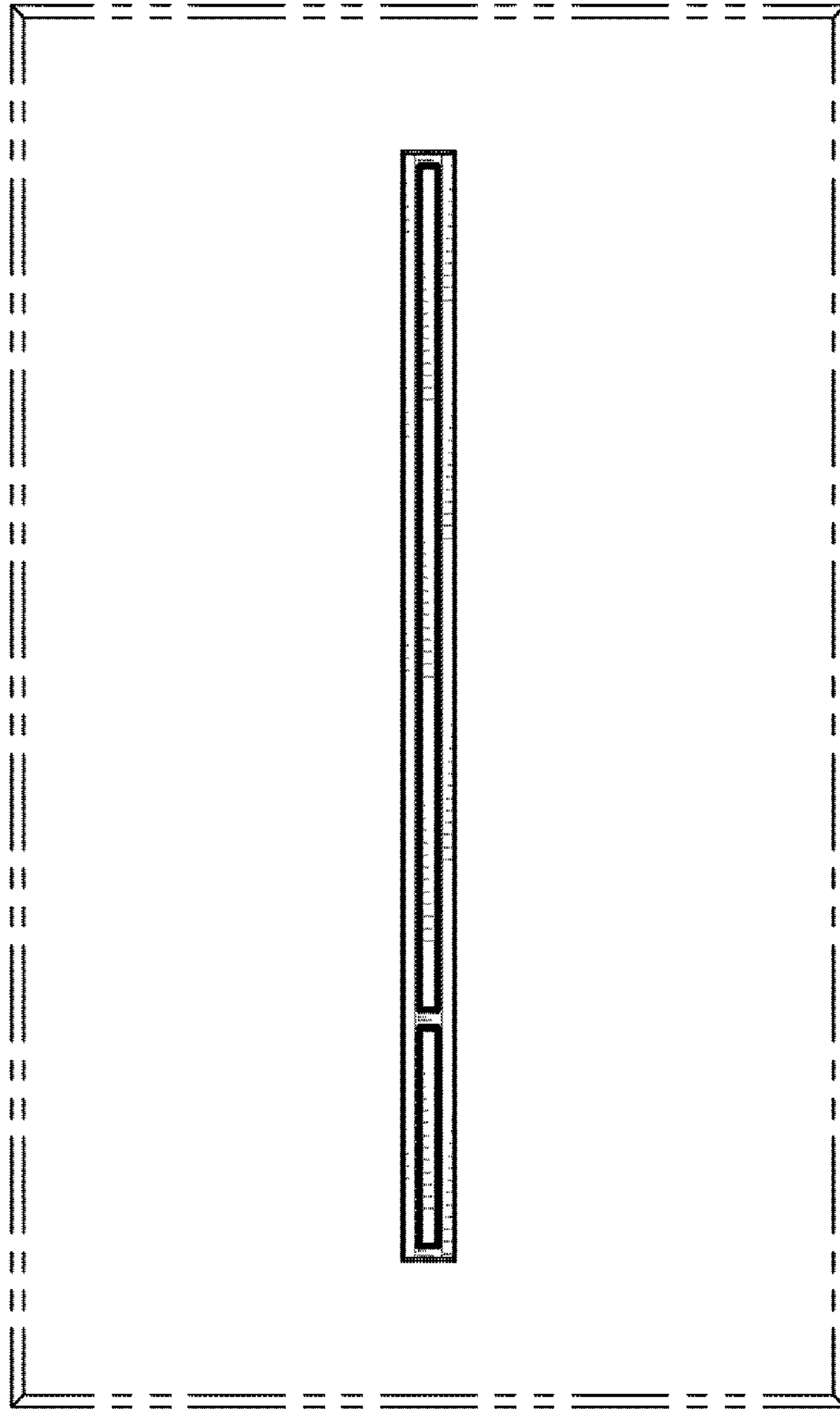


Fig. 2

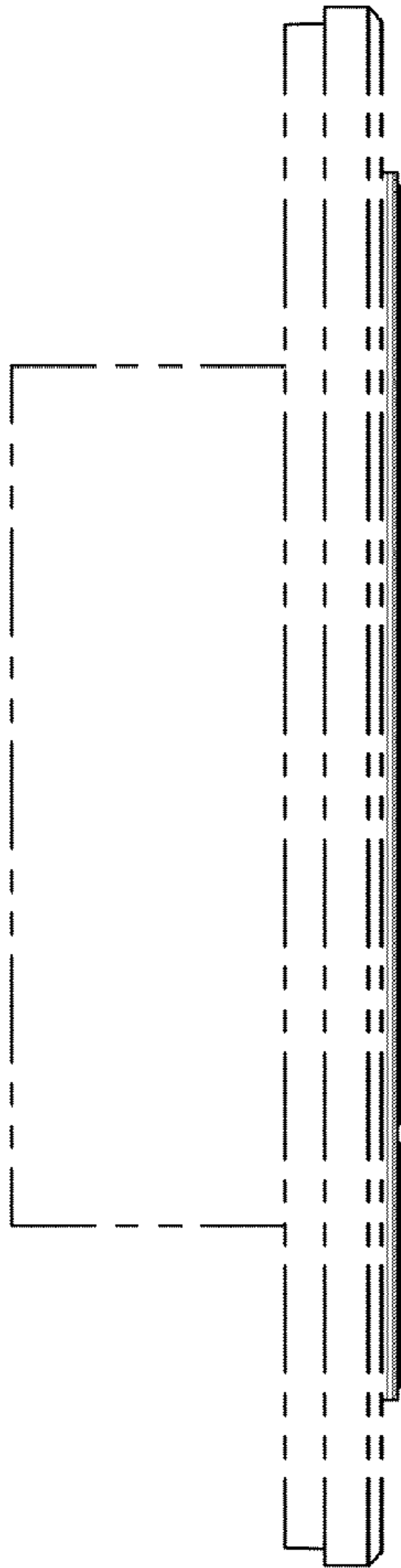


Fig. 3

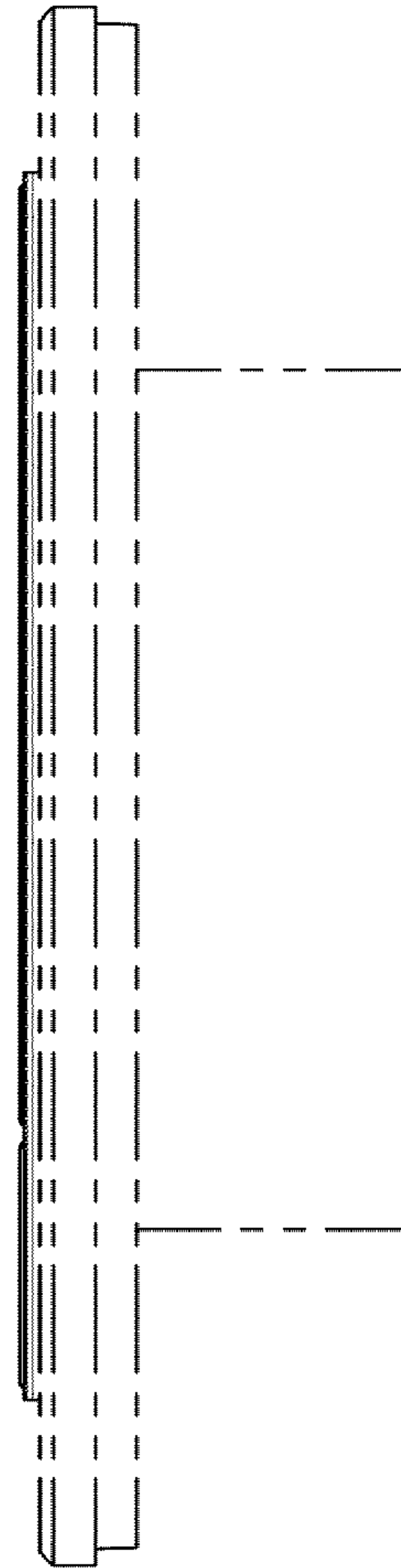


Fig. 4

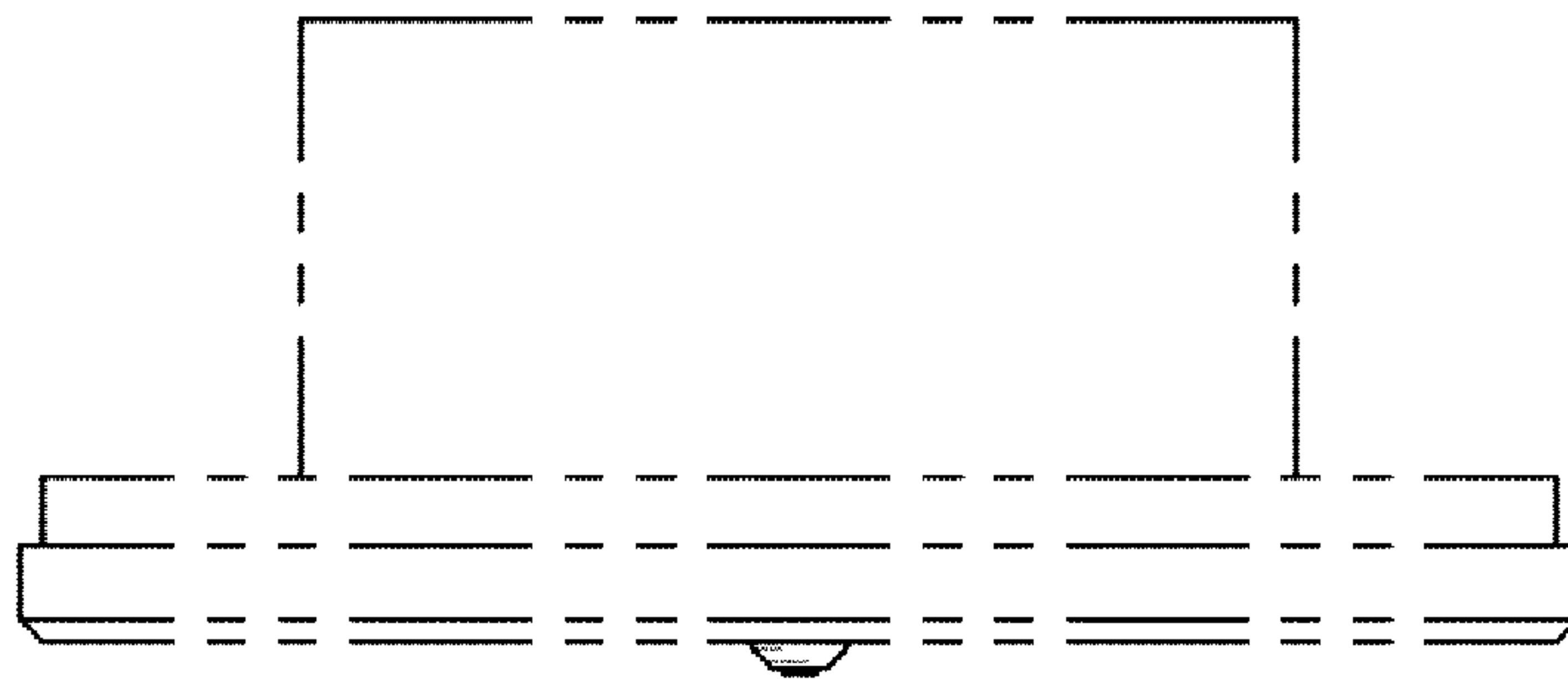


Fig. 5

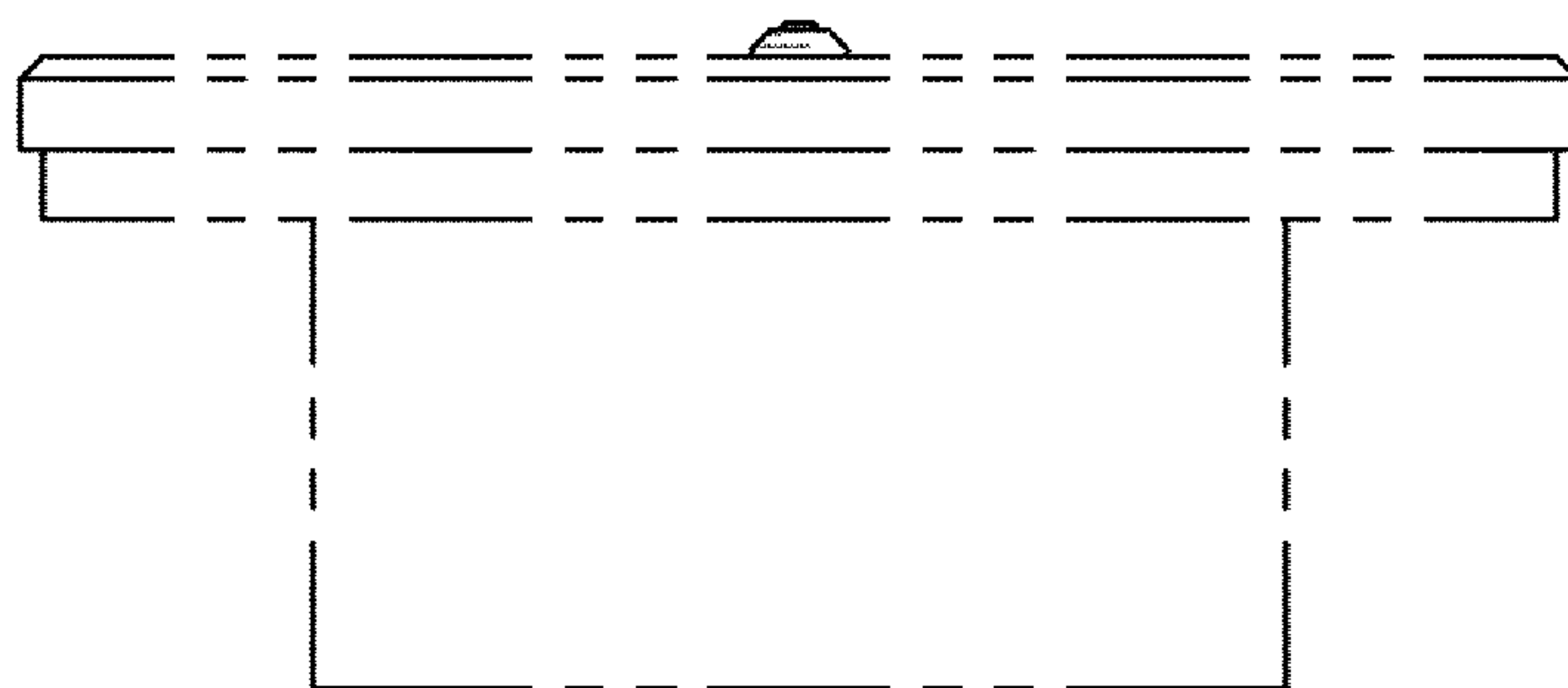


Fig. 6