



US00D570297S

(12) **United States Design Patent**
Gibbons et al.

(10) **Patent No.:** **US D570,297 S**
(45) **Date of Patent:** **** Jun. 3, 2008**

(54) **INFORMATION PANEL**

(75) Inventors: **John Gibbons**, St. James, NY (US);
Thomas Greenfield, Kings Park, NY
(US); **Amy Grumet-Avallone**,
Smithtown, NY (US); **Michael Glater**,
Brooklyn, NY (US)

(73) Assignee: **B/E Aerospace, Inc.**, Wellington, FL
(US)

(**) Term: **14 Years**

(21) Appl. No.: **29/263,871**

(22) Filed: **Jul. 31, 2006**

(51) **LOC (8) Cl.** **13-03**

(52) **U.S. Cl.** **D13/162**

(58) **Field of Classification Search** D13/125,
D13/152, 158, 162, 164, 171, 184, 199; 200/406;
244/121; 273/119 A; 296/153; D10/104,
D10/106, 118

See application file for complete search history.

(56) **References Cited**

U.S. PATENT DOCUMENTS

- D258,424 S * 3/1981 Doggart D10/118
- D273,848 S * 5/1984 Monahan D10/106
- D371,123 S * 6/1996 Amundsen D14/441
- D388,089 S * 12/1997 Komamiya et al. D14/191
- D413,867 S * 9/1999 Mullet et al. D13/162

- D415,444 S * 10/1999 Mooney et al. D10/118
- D431,605 S * 10/2000 Scibora D21/332
- D438,809 S * 3/2001 Kim et al. D10/104
- D561,113 S * 2/2008 Samhammer et al. D13/162

* cited by examiner

Primary Examiner—Daniel Bui

Assistant Examiner—Thomas J Johannes

(74) *Attorney, Agent, or Firm*—DrinkerBiddle & Reath LLP

(57) **CLAIM**

The ornamental design for an information panel, as shown and described.

DESCRIPTION

FIG. 1 is a front perspective view of an information panel showing our new design;

FIG. 2 is a front elevation view thereof;

FIG. 3 is a rear elevation view thereof;

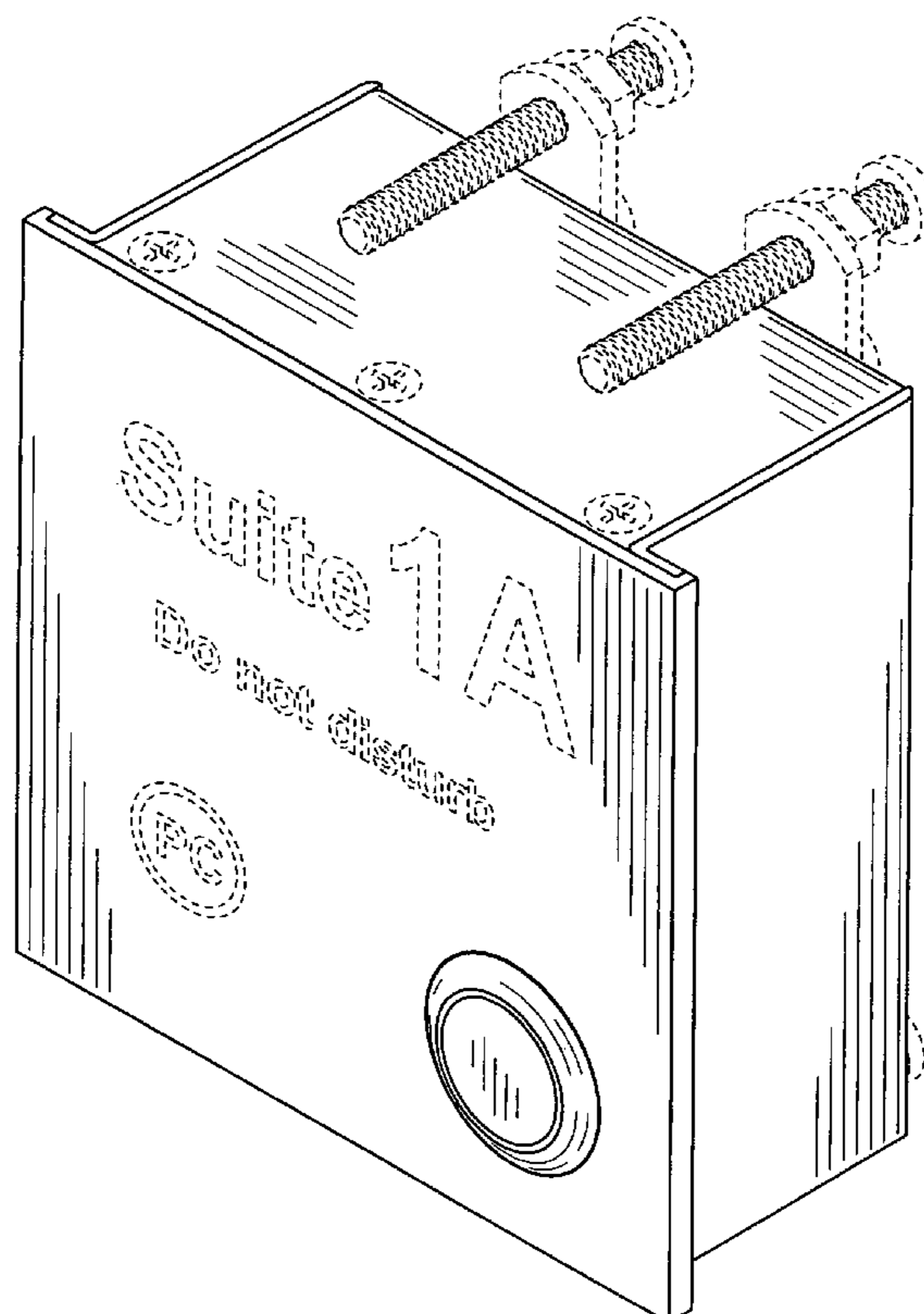
FIG. 4 is a right side elevation view thereof, the left side elevation being a mirror image thereto;

FIG. 5 is a top plan view thereof; and,

FIG. 6 is a bottom plan view thereof.

The broken line showing in the figure drawings is included for illustrative purposes only and forms no part of the claimed design.

1 Claim, 3 Drawing Sheets



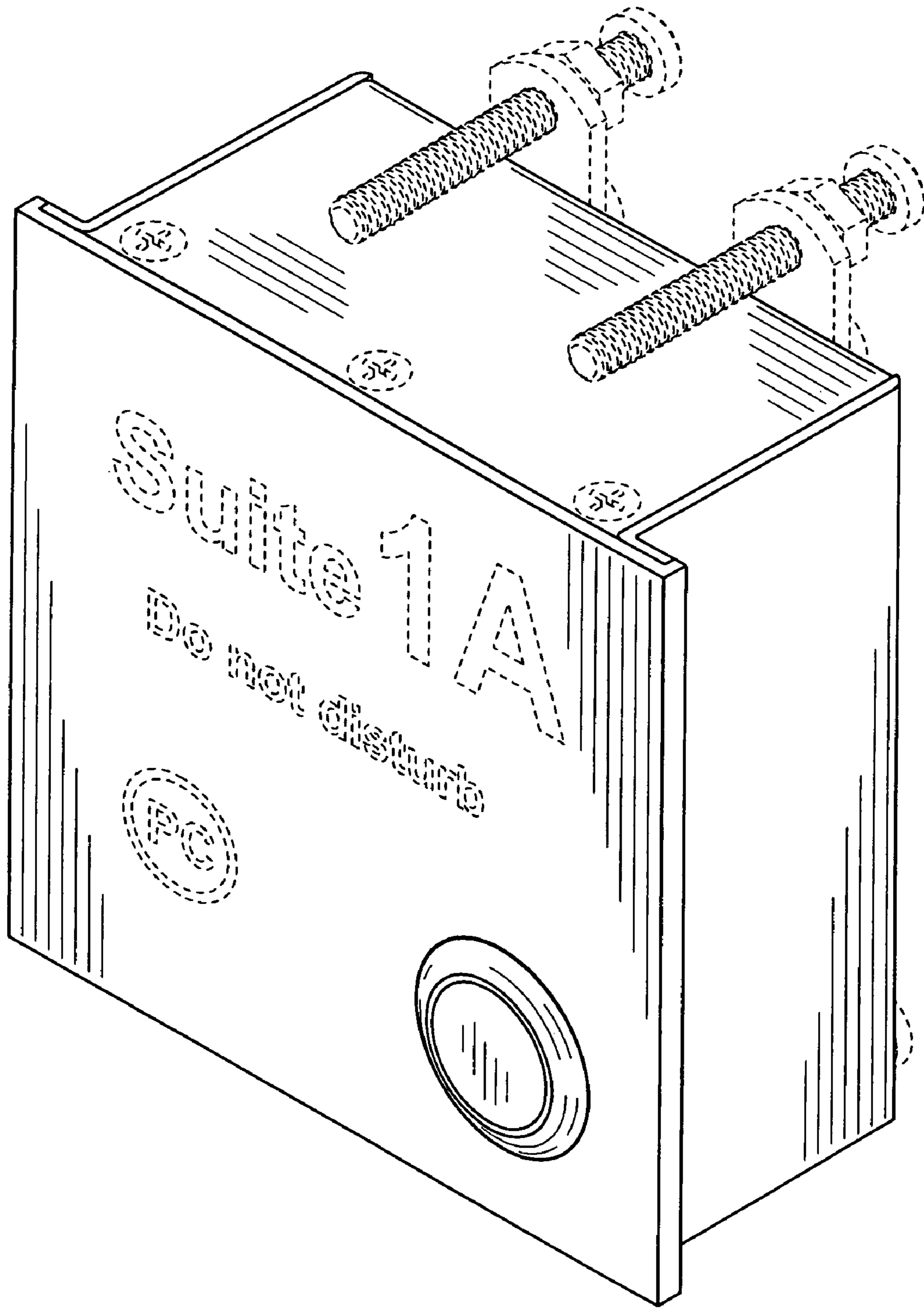


FIG. 1

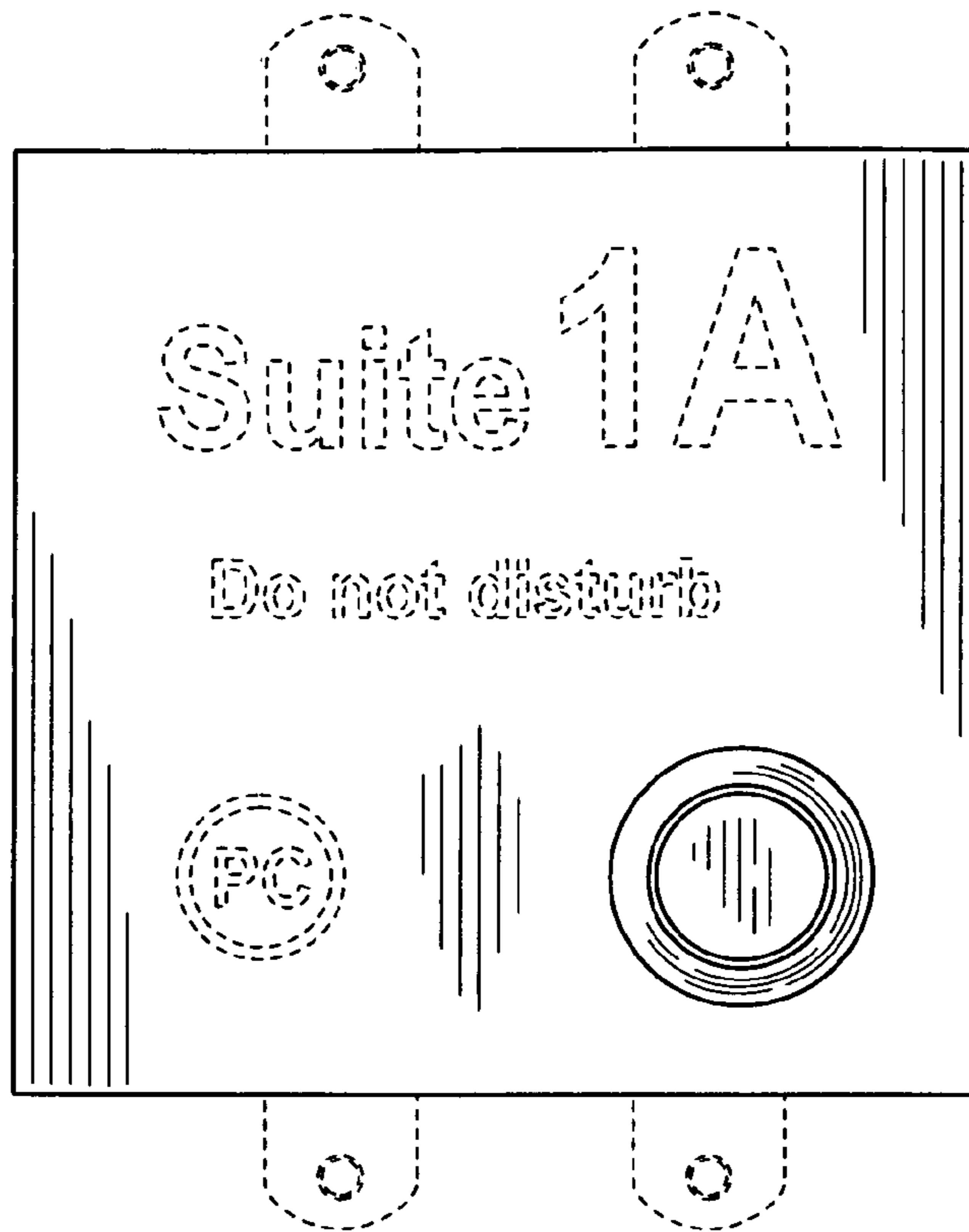


FIG. 2

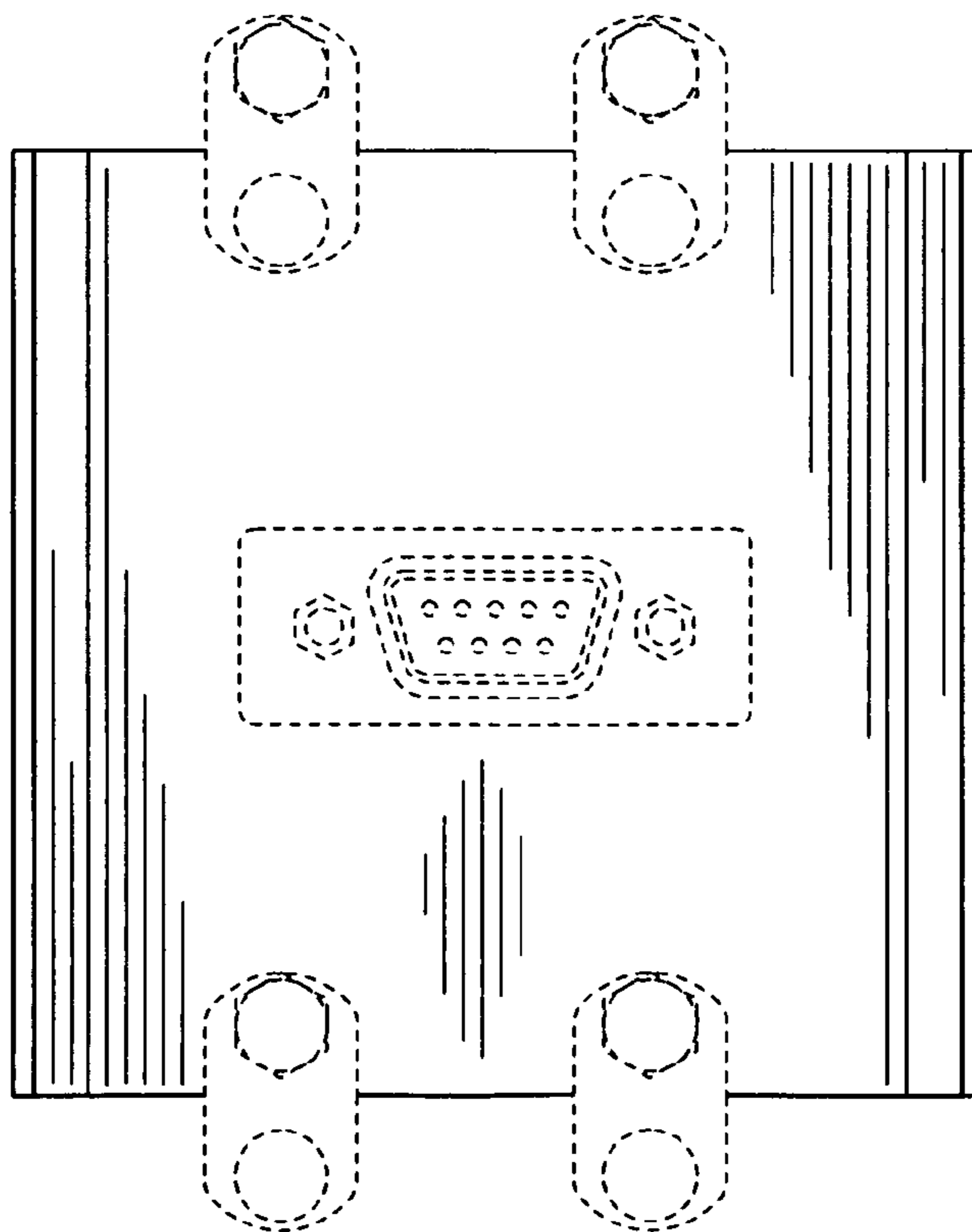


FIG. 3

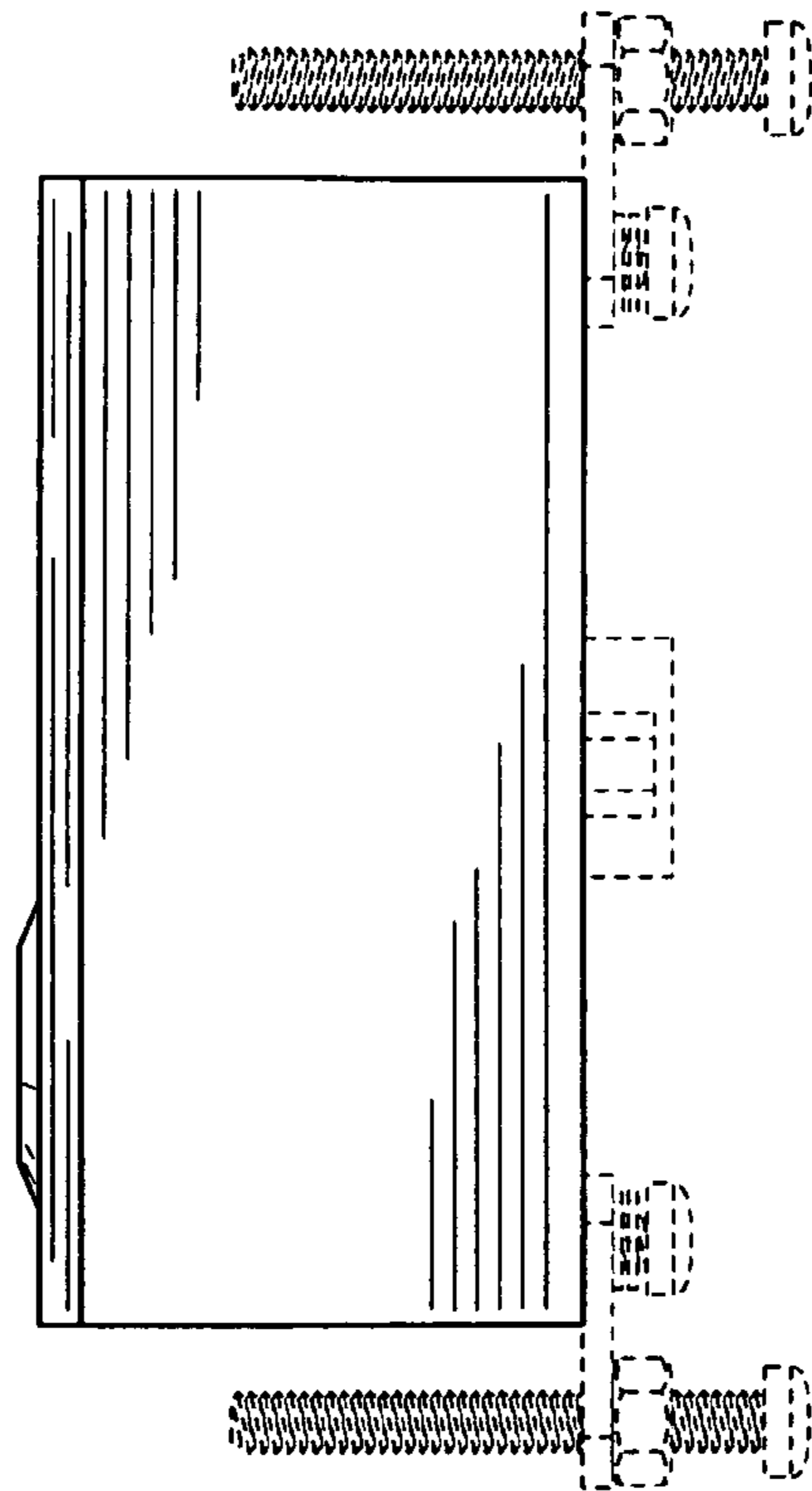


FIG. 4

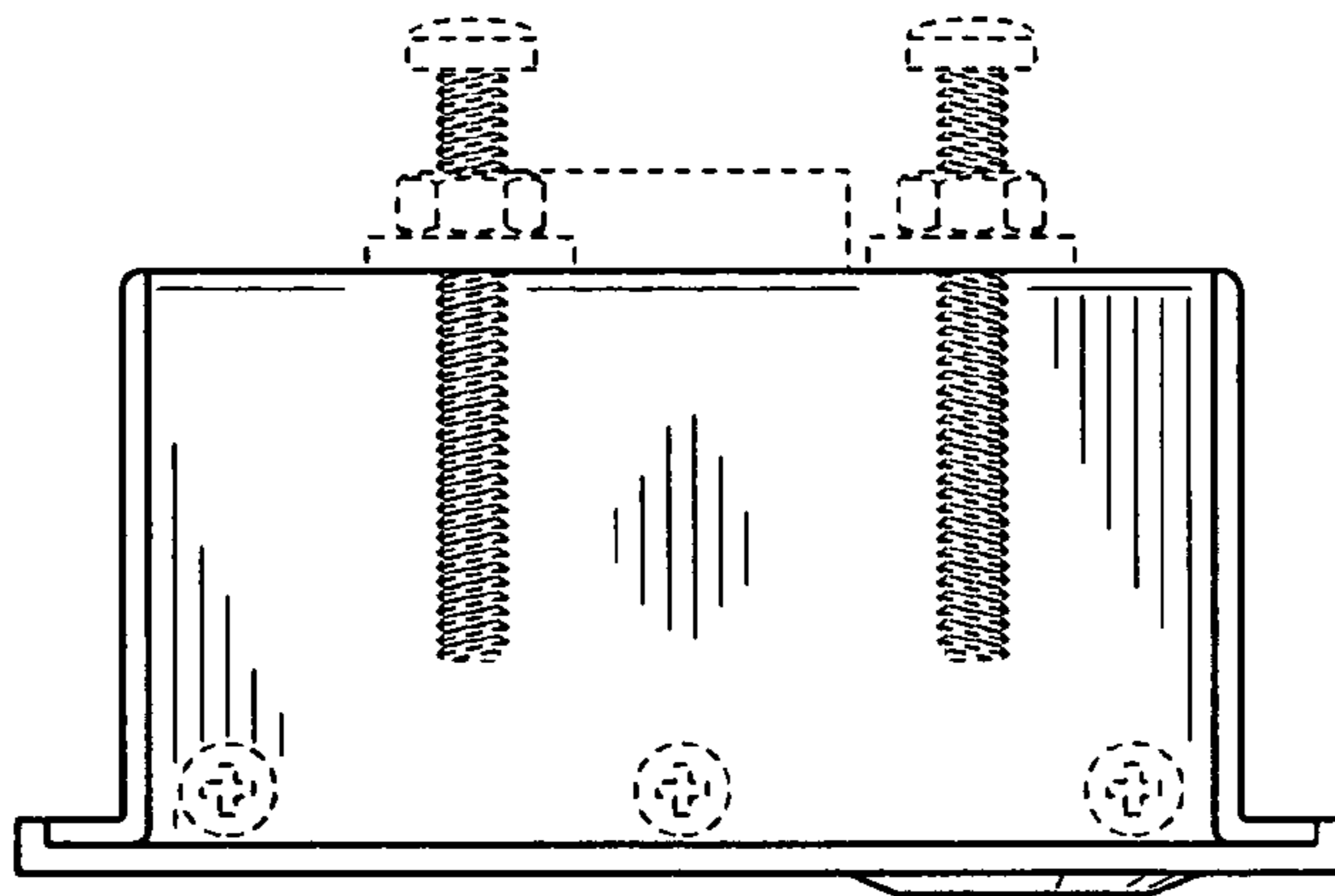


FIG. 5

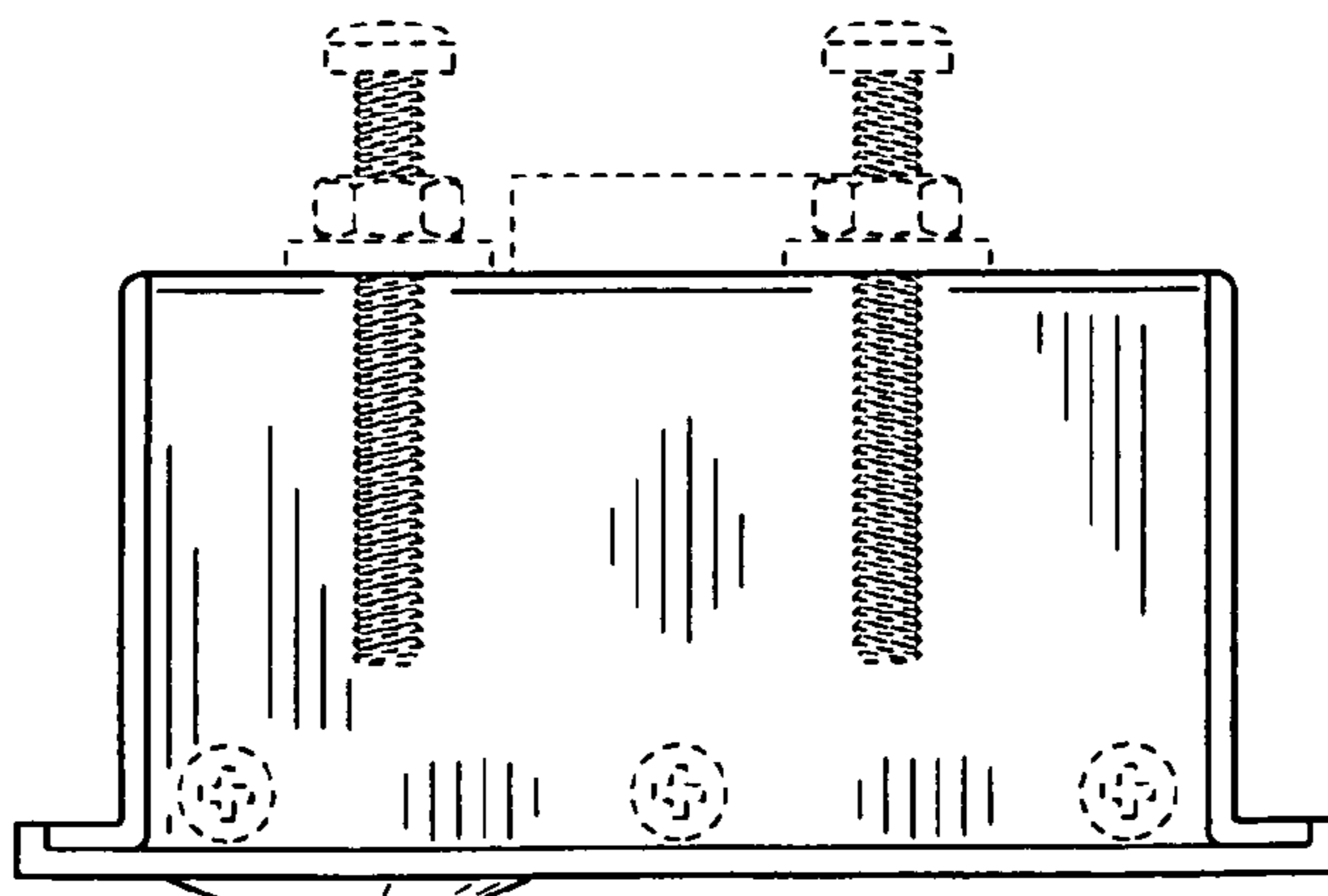


FIG. 6