



US00D570296S

(12) **United States Design Patent**
Wipf et al.

(10) **Patent No.:** **US D570,296 S**
(45) **Date of Patent:** **** Jun. 3, 2008**

(54) **LEVEL SENSING SWITCH**

(76) Inventors: **Daniel D. Wipf**, 1657 Meriwether, Cut Bank, MT (US) 59427; **Phillip J. Wipf**, P.O. Box 2209 Tipville Rd., Cut Bank, MT (US) 59427

(**) Term: **14 Years**

(21) Appl. No.: **29/251,570**

(22) Filed: **Jan. 10, 2006**

(51) **LOC (8) Cl.** **13-03**

(52) **U.S. Cl.** **D13/158**

(58) **Field of Classification Search** D13/158,
D13/159, 160, 161, 162, 164, 199, 174, 147;
D10/101, 79, 80, 96; 74/73.12, 89.15, 335,
74/411.5, 490.09; 123/90.15; 137/392,
137/487, 2, 565.16, 565.17; 200/190, 84 R,
200/236, 84 C, 194, 61.2, 61.47, 61.52, 33 R;
315/194, 238, 275, 355; 324/207.12; 307/116-118;
340/618, 622, 623, 606, 619; 318/482, 479;
73/290 R, 293, 304 C, 319, 295, 308, 313,
73/314, 304 R, 322, 1.73; 119/53, 68; 250/575,
250/577; 356/133, 39, 436; 417/36

See application file for complete search history.

(56) **References Cited**

U.S. PATENT DOCUMENTS

308,193 A	5/1884	Gaalswyk	
4,211,966 A *	7/1980	Sweet	318/482
4,240,747 A	12/1980	Harmer	
4,265,262 A	5/1981	Hotine	
4,297,588 A	10/1981	Hastbacka	
4,366,384 A	12/1982	Jensen	
4,736,077 A	4/1988	Valente	
D308,193 S *	5/1990	Gaalswyk	D13/158
4,922,857 A *	5/1990	Arentoft	119/51.12
5,005,407 A *	4/1991	Koon	73/290 R
5,035,581 A	7/1991	McGuire et al.	
5,166,667 A	11/1992	Jen	
5,198,681 A	3/1993	Pontefract	
D342,033 S *	12/1993	Mealer	D10/96
D350,491 S *	9/1994	Hausler et al.	D10/96

D358,784 S *	5/1995	Templin et al.	D10/96
5,425,624 A	6/1995	Williams	
D363,887 S *	11/1995	Middlebrook	D10/96
5,473,234 A	12/1995	Richardson	
5,740,693 A	4/1998	Tanaka	
5,747,824 A	5/1998	Jung et al.	

(Continued)

OTHER PUBLICATIONS

www.southcountrylivestock.com webpage showing the applicant's Bin Level Switch; Tube Switch; Cable/Chain Drive Switch . . . with last digital photo dated Mar. 5, 2006.*

Primary Examiner—Selina Sikder

Assistant Examiner—Thomas J Johannes

(74) *Attorney, Agent, or Firm*—Antoinette M. Tease

(57) **CLAIM**

The ornamental design for a level sensing switch, as shown and described.

DESCRIPTION

FIG. 1 is a perspective view of a first embodiment of a level sensing switch showing our new design.

FIG. 2 is a top view thereof.

FIG. 3 is a bottom view thereof.

FIG. 4 is a left side view thereof.

FIG. 5 is a right side view thereof.

FIG. 6 is a front view thereof.

FIG. 7 is a rear view thereof.

FIG. 8 is a perspective view of a second embodiment of a level sensing switch showing our new design.

FIG. 9 is a top view thereof.

FIG. 10 is a bottom view thereof.

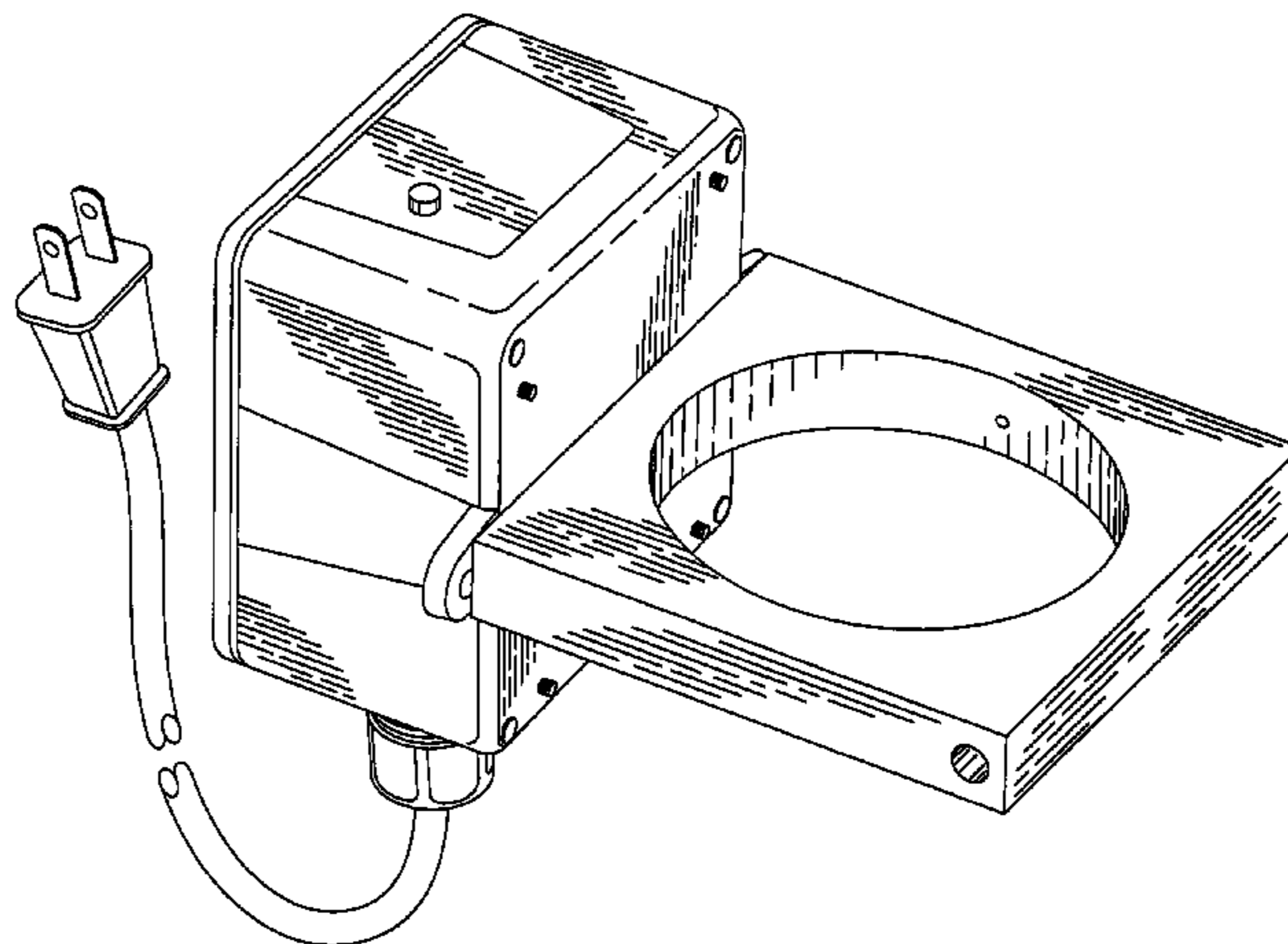
FIG. 11 is a left side view thereof.

FIG. 12 is a right side view thereof.

FIG. 13 is a front view thereof; and,

FIG. 14 is a rear view thereof.

1 Claim, 8 Drawing Sheets



US D570,296 S

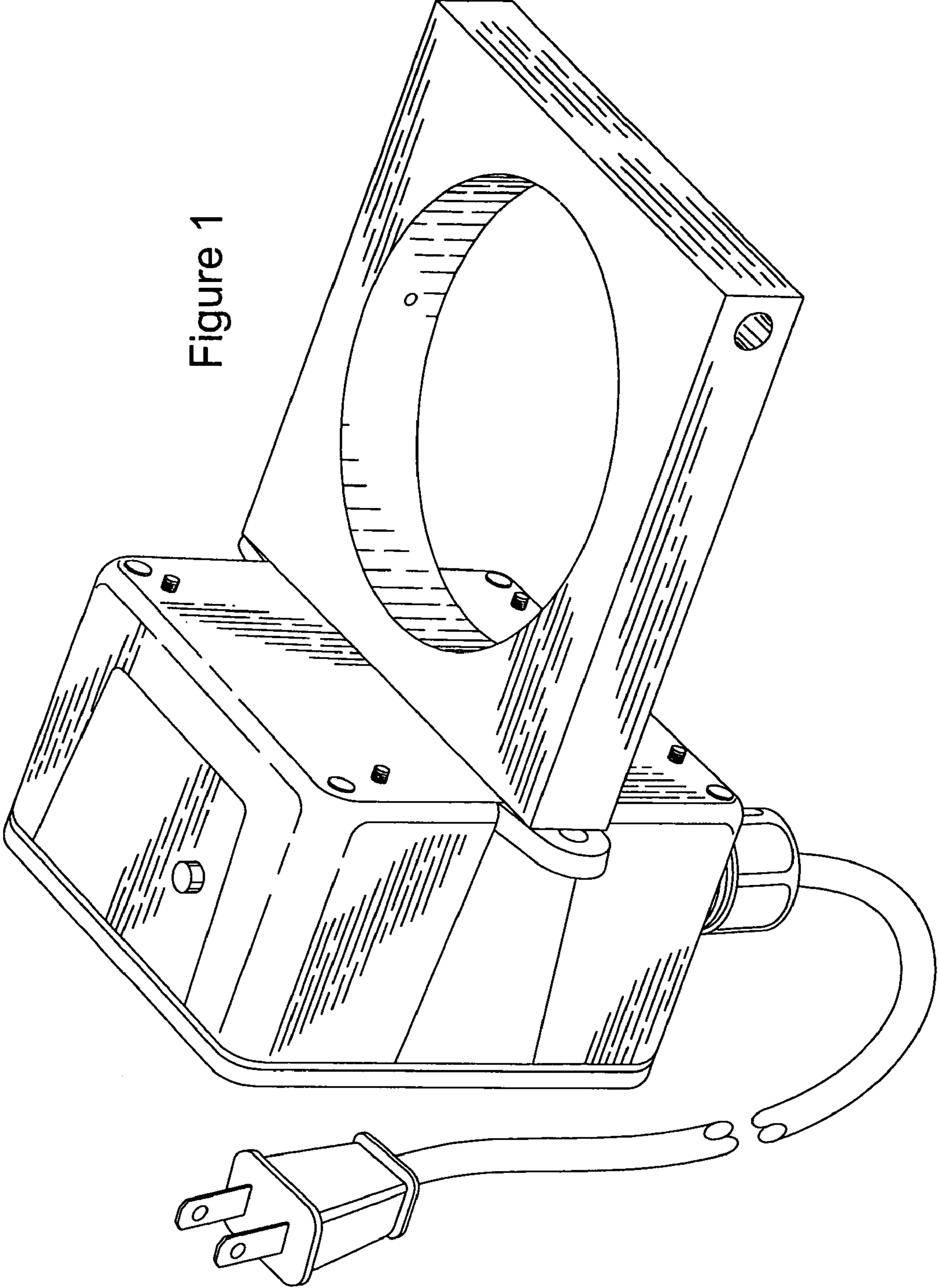
Page 2

U.S. PATENT DOCUMENTS

D430,049 S *	8/2000	Flick et al.	D10/96	6,753,785 B2	6/2004	Denietolis, Jr.	
6,111,211 A *	8/2000	Dziedzic et al.	200/61.2	6,806,947 B1	10/2004	Ekdahl et al.	
D440,896 S *	4/2001	Asai et al.	D10/96	D501,803 S *	2/2005	Platzek	D10/96
D453,697 S *	2/2002	Parsons	D10/96	6,925,871 B2	8/2005	Frank	
6,499,961 B1	12/2002	Wyatt et al.		2006/0272710 A1*	12/2006	Minervini et al.	137/487.5
6,507,401 B1	1/2003	Turner et al.		2007/0084281 A1*	4/2007	Fredriksson	73/290 R
6,538,261 B1	3/2003	McConnel et al.					

* cited by examiner

Figure 1



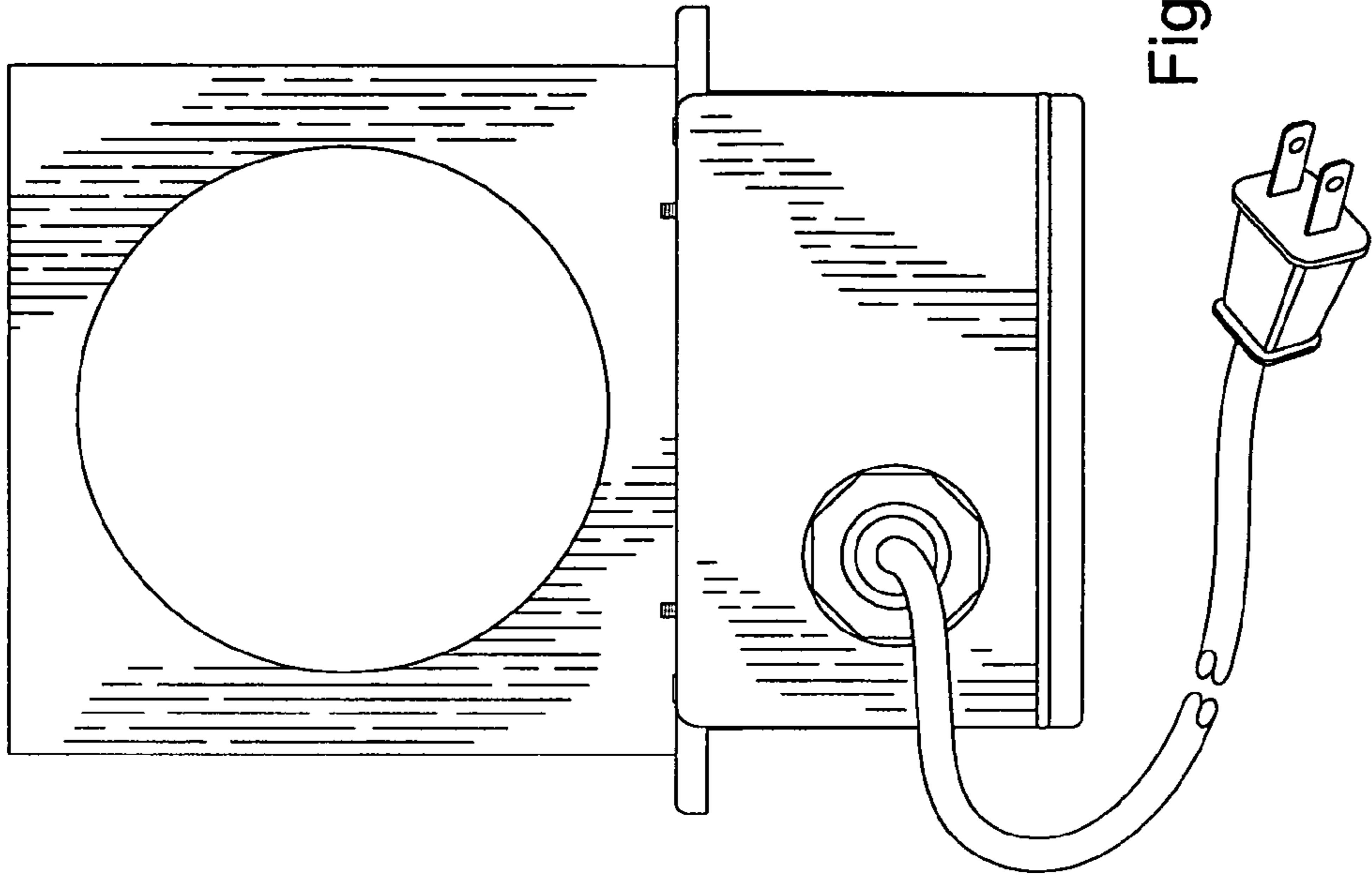


Figure 3

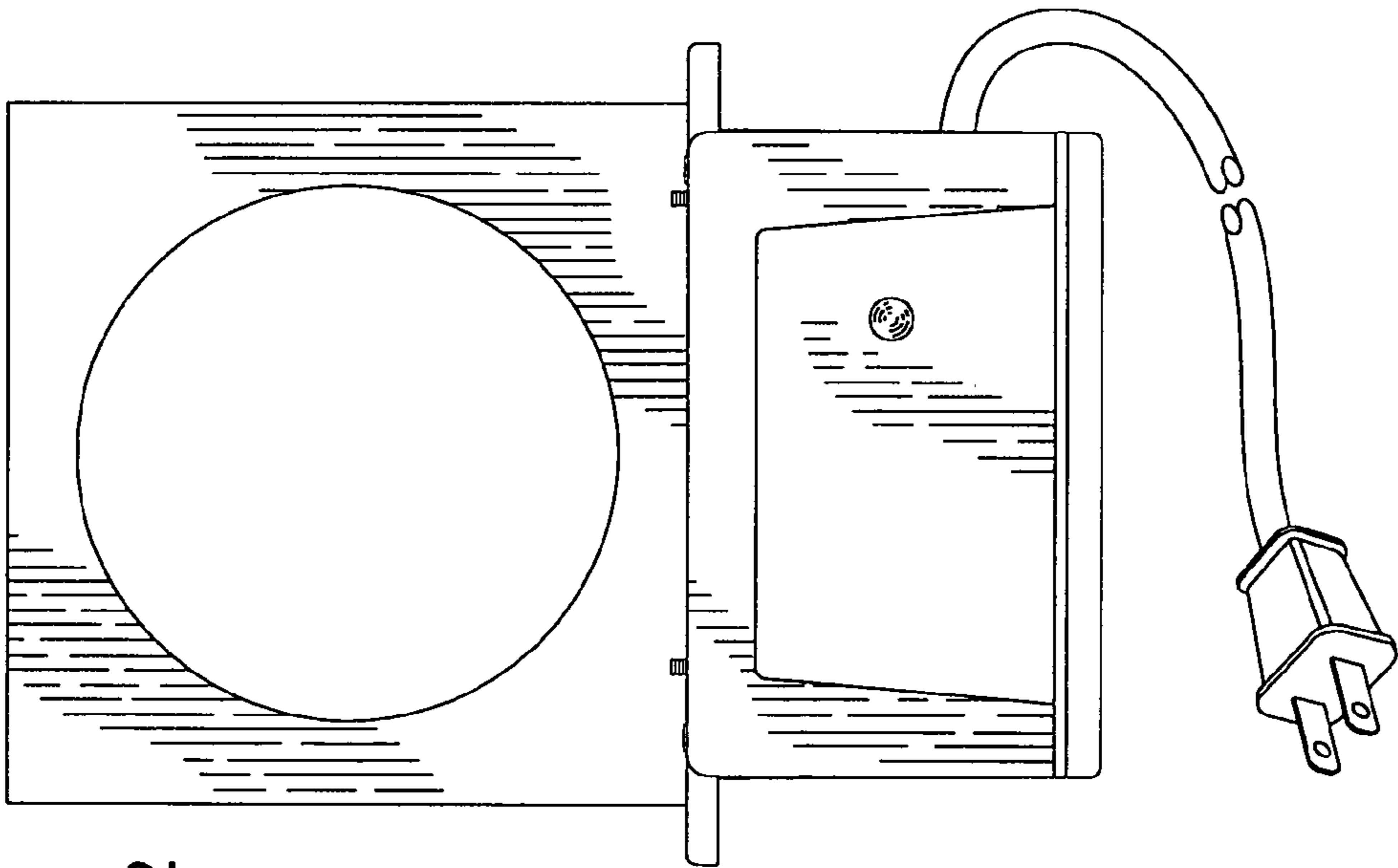


Figure 2

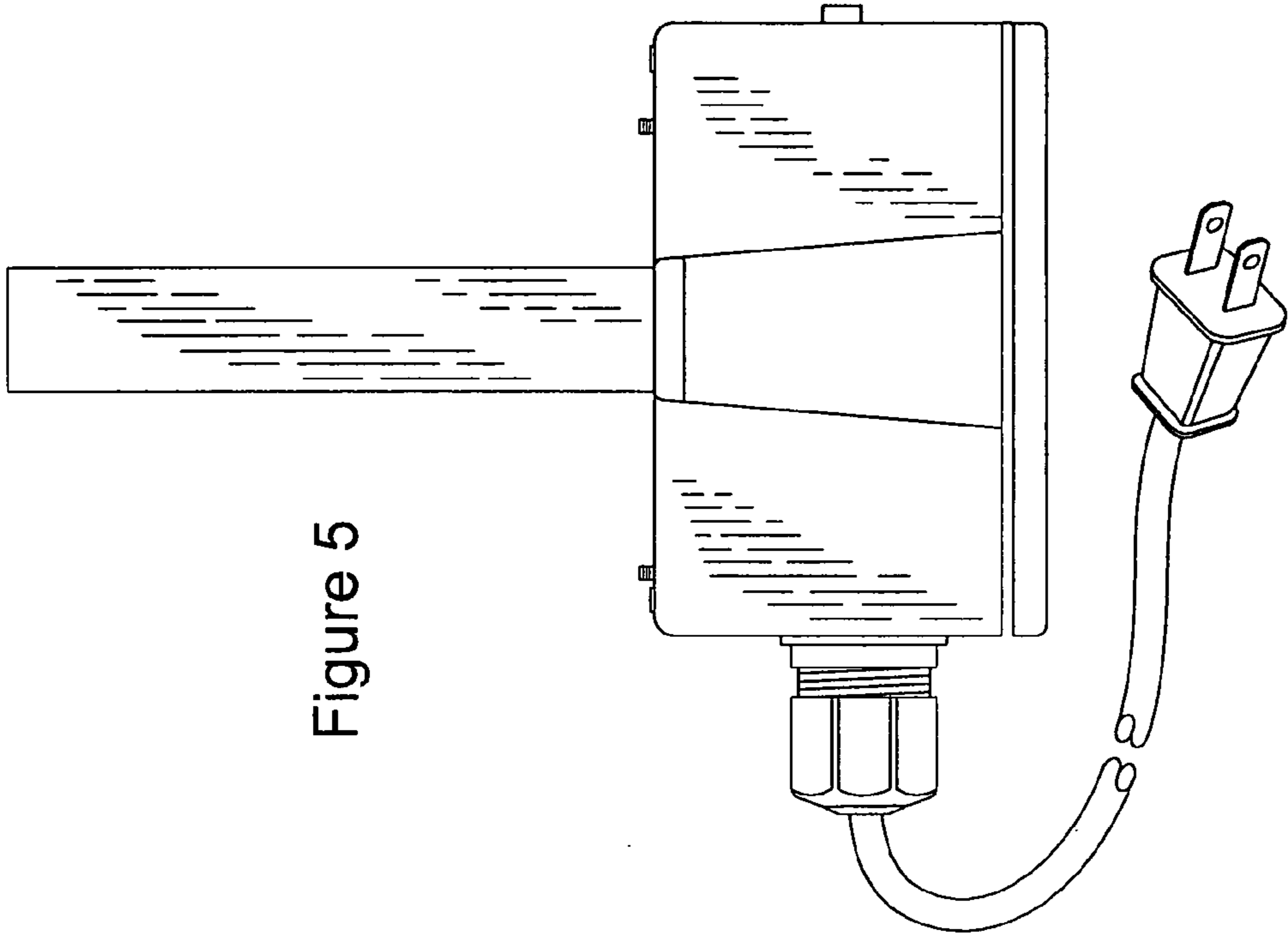


Figure 5

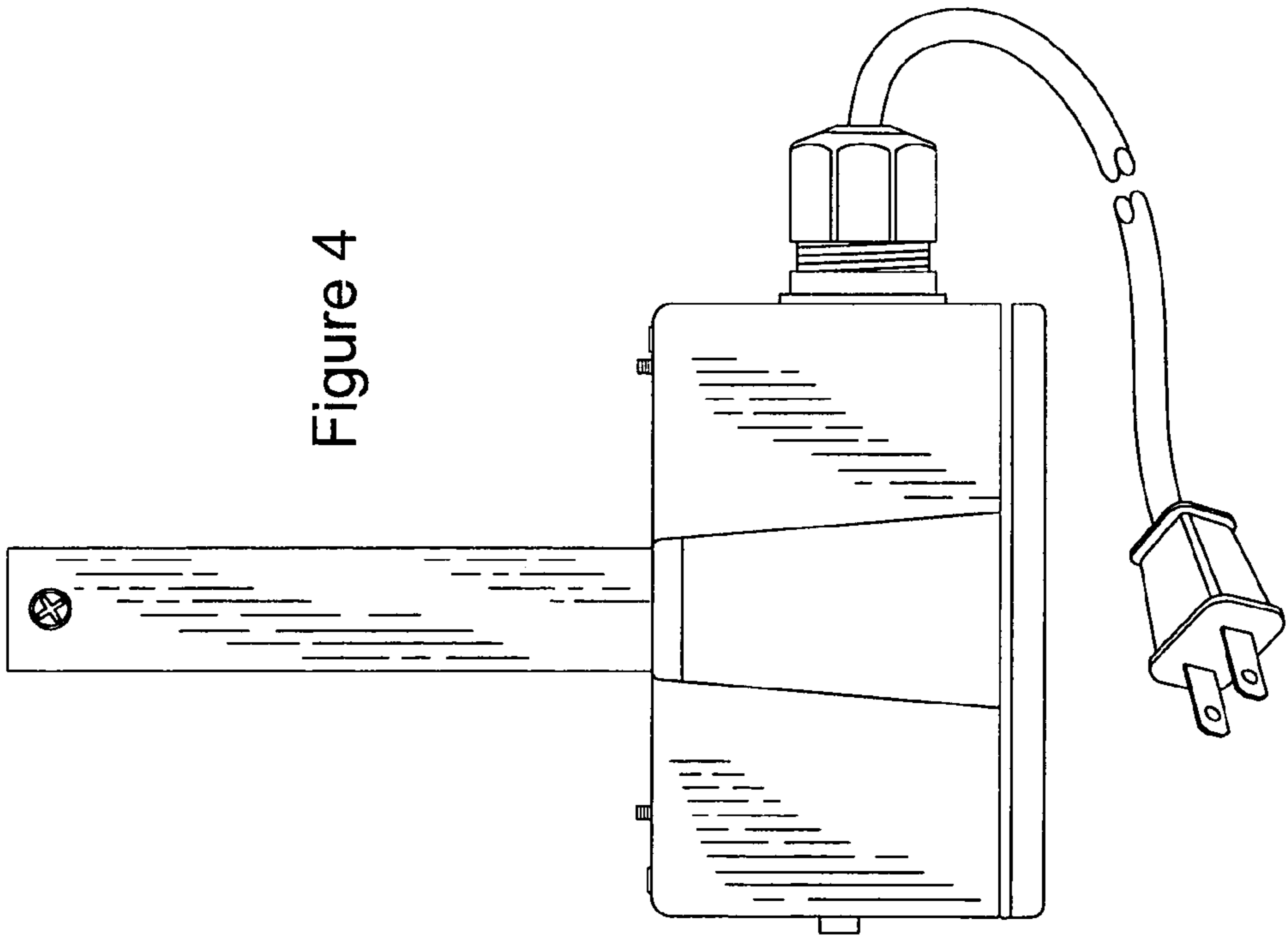


Figure 4

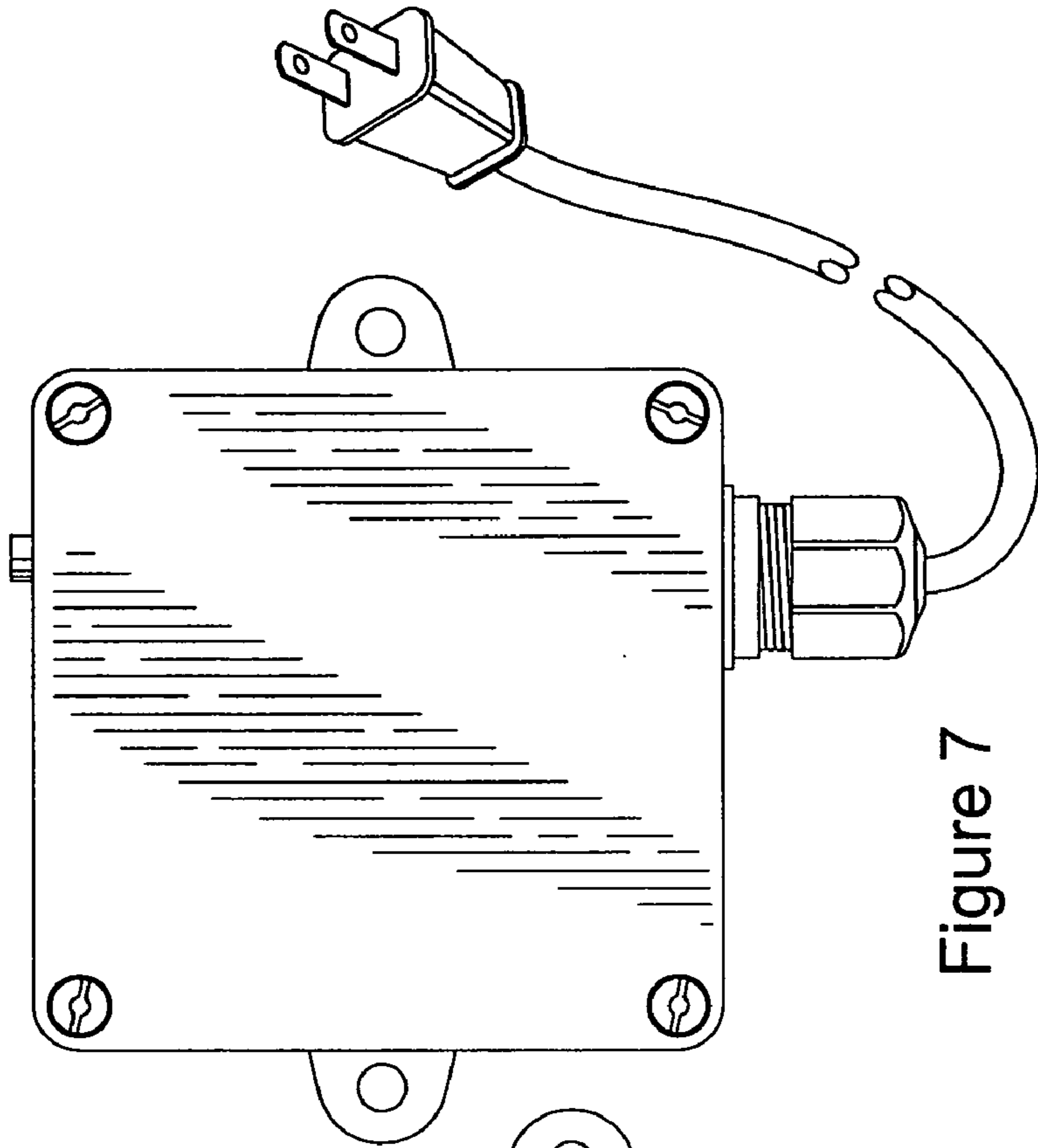


Figure 7

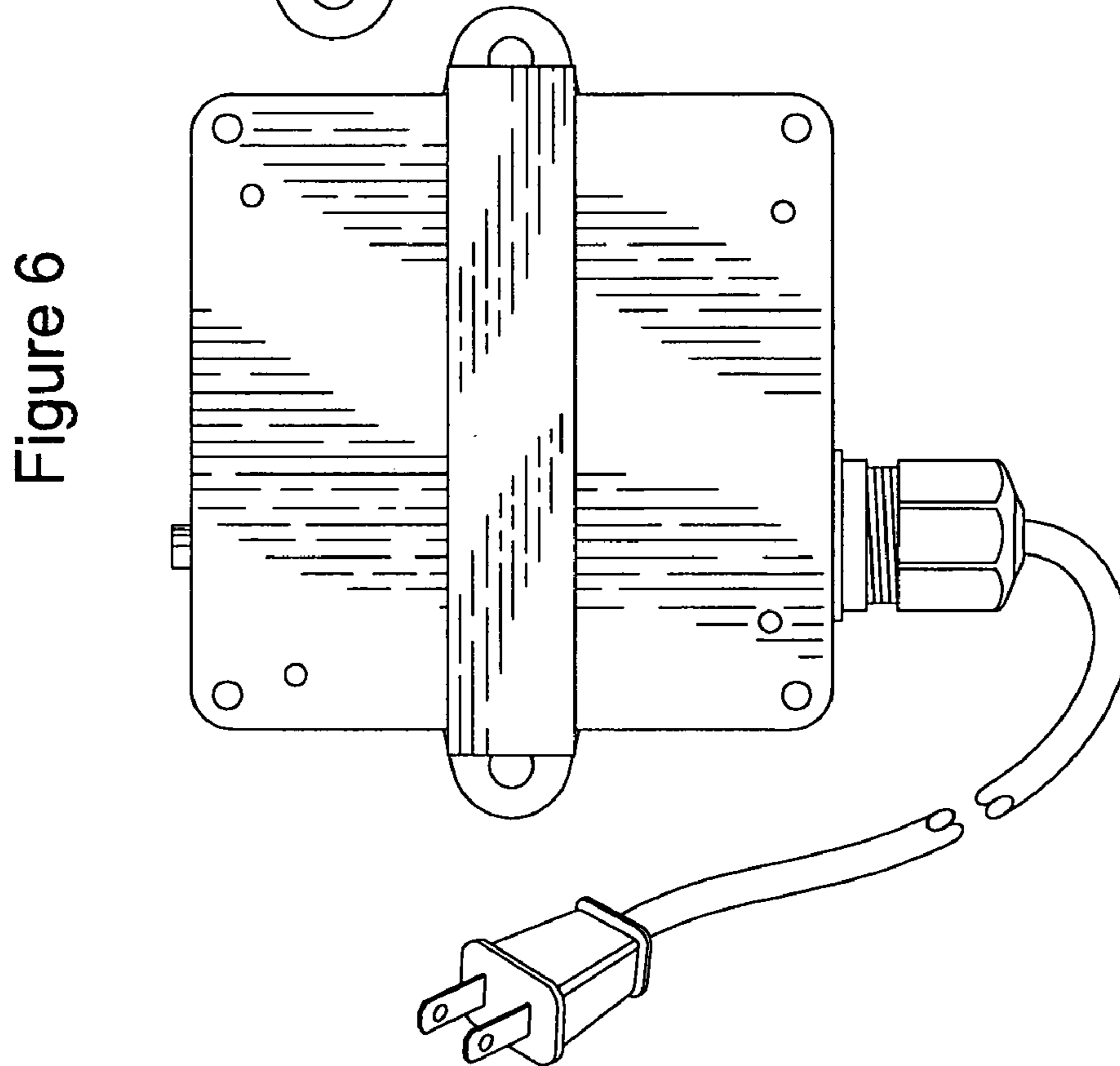
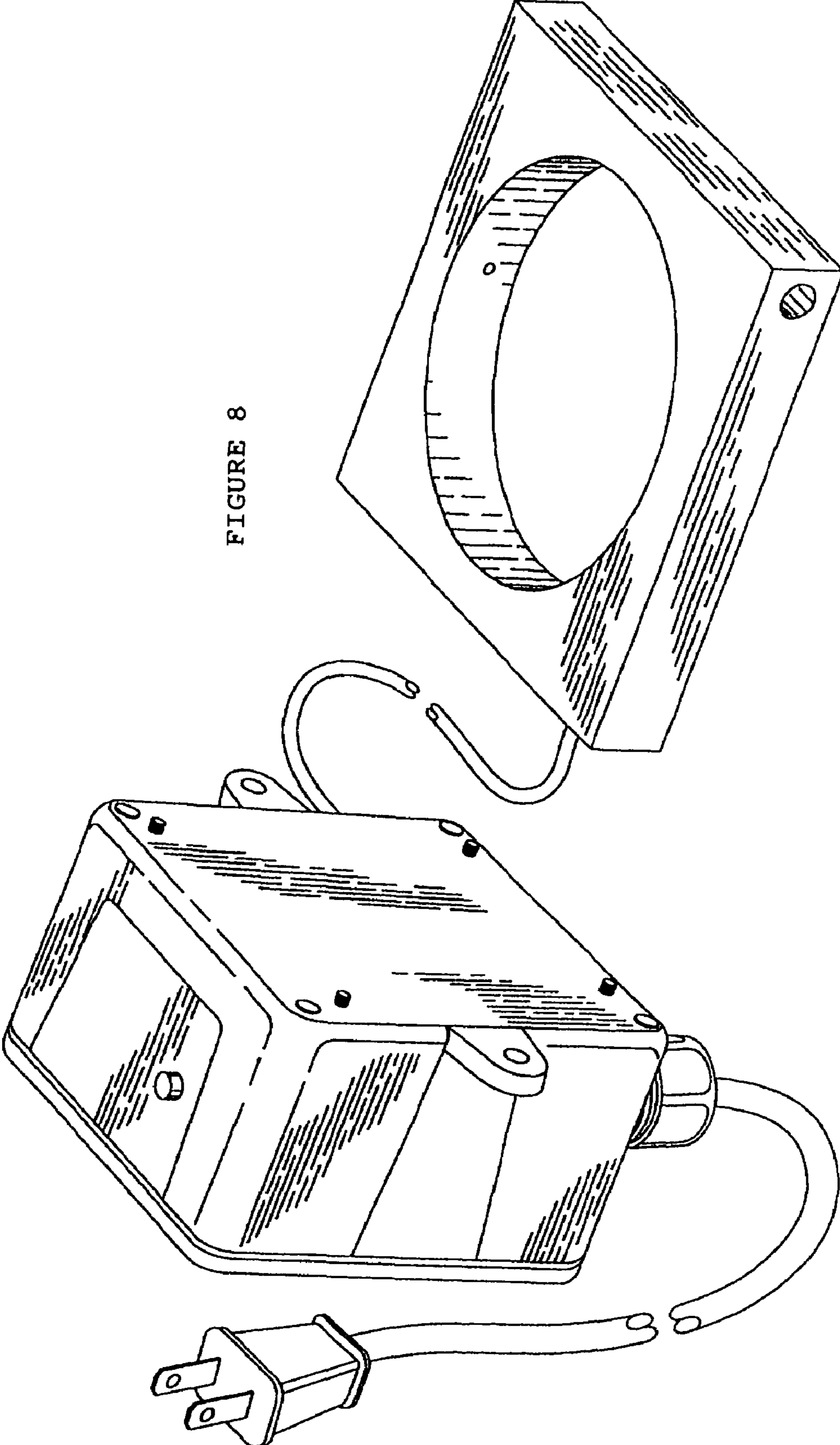


Figure 6

FIGURE 8



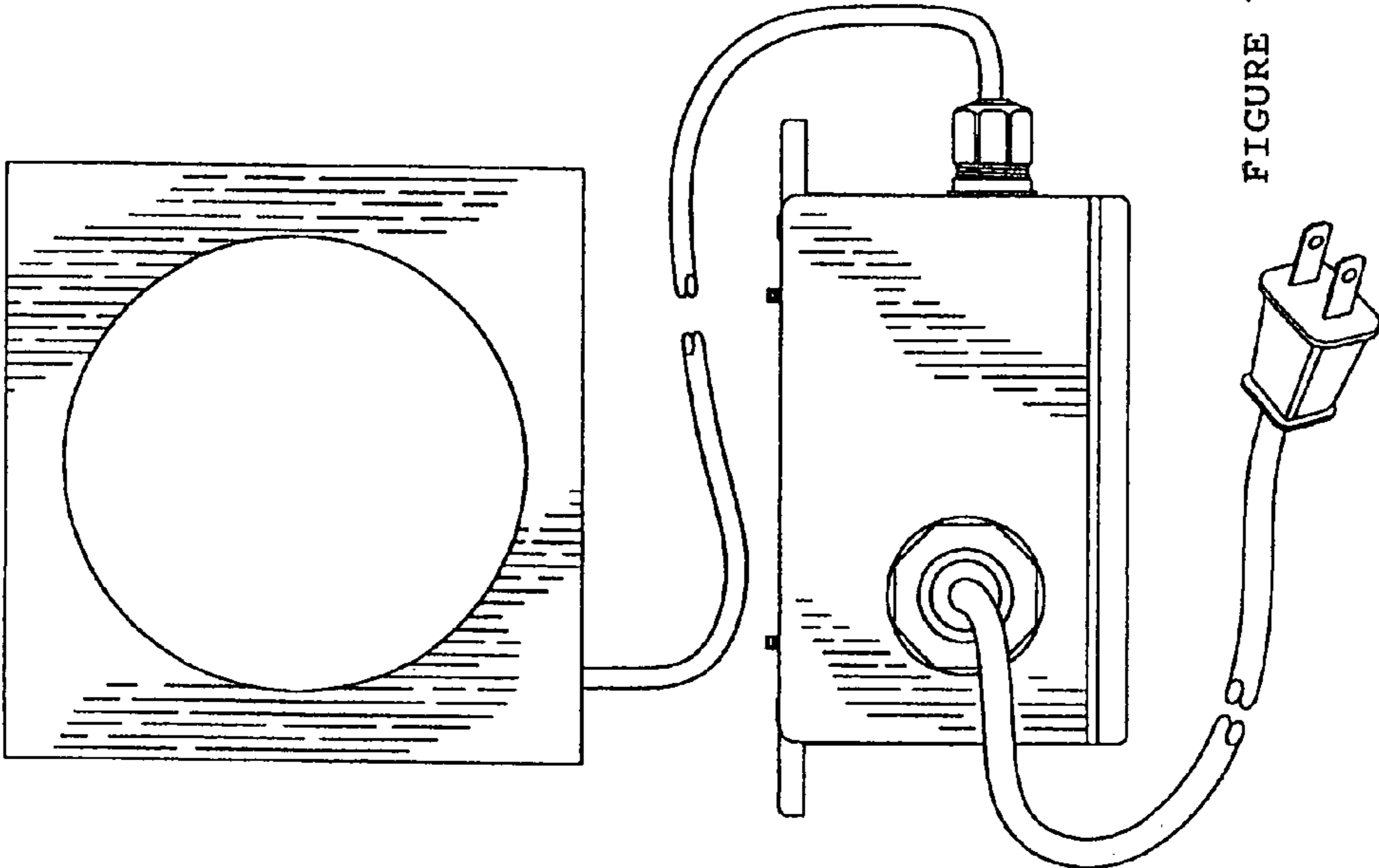


FIGURE 9

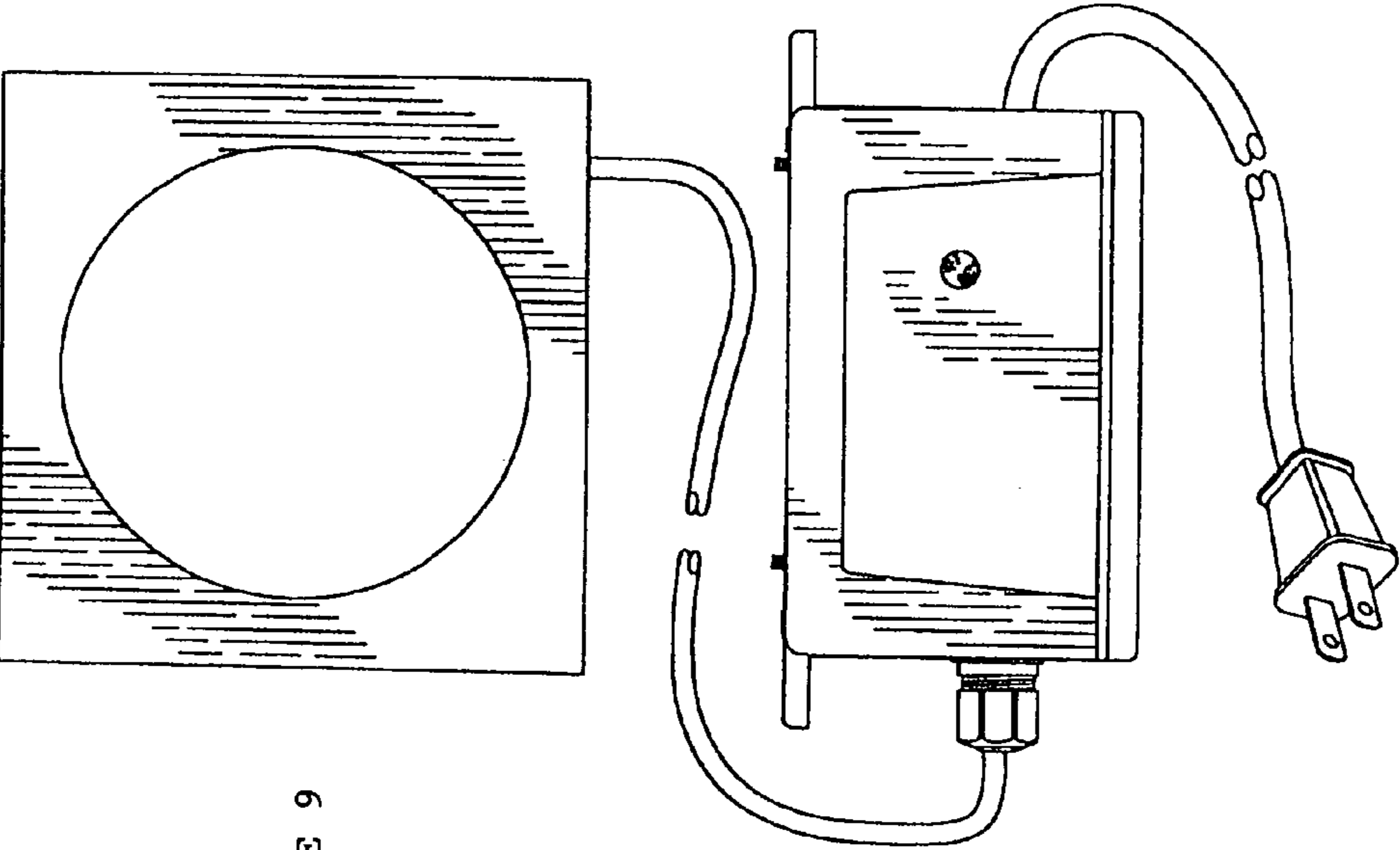


FIGURE 10

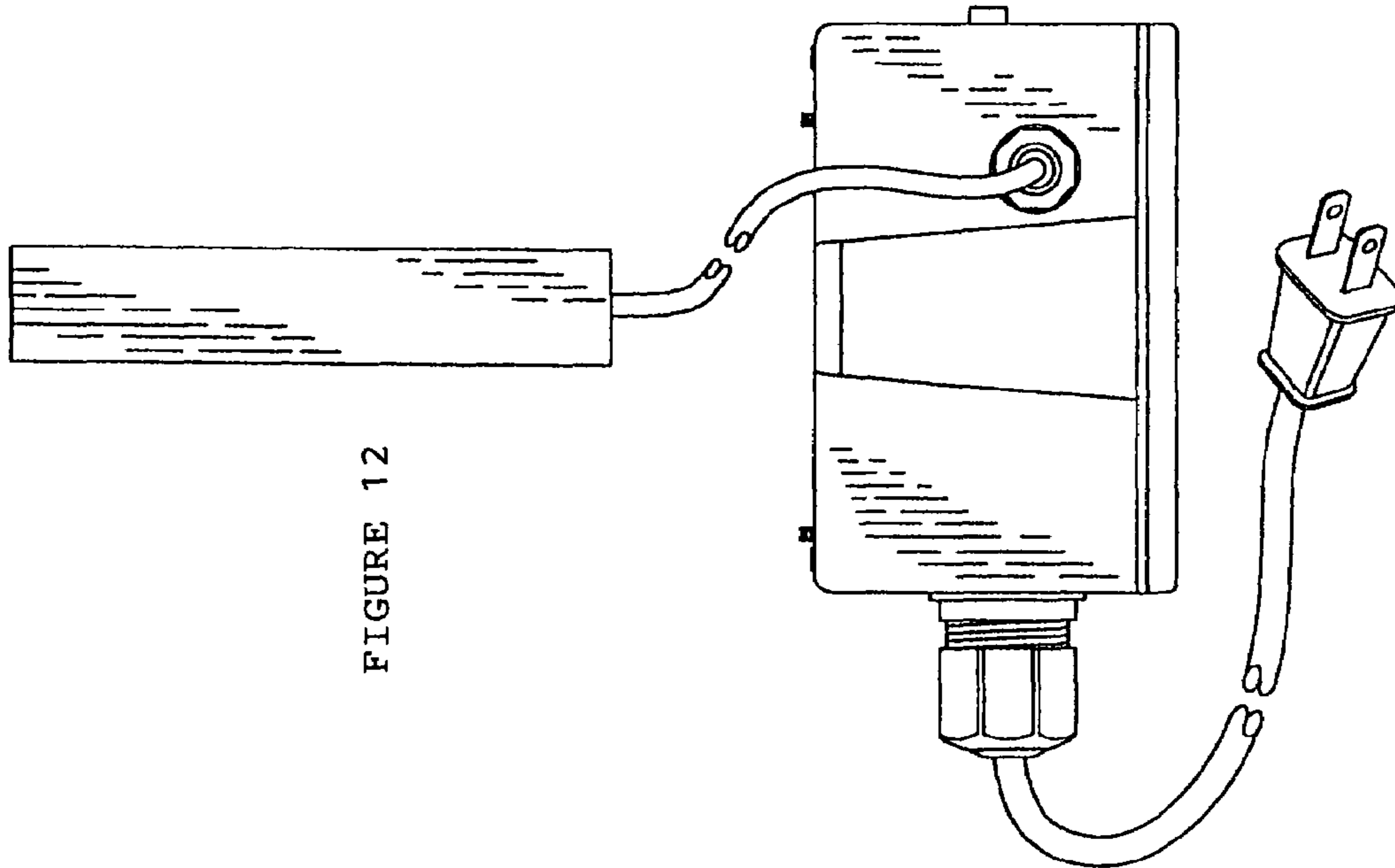


FIGURE 12

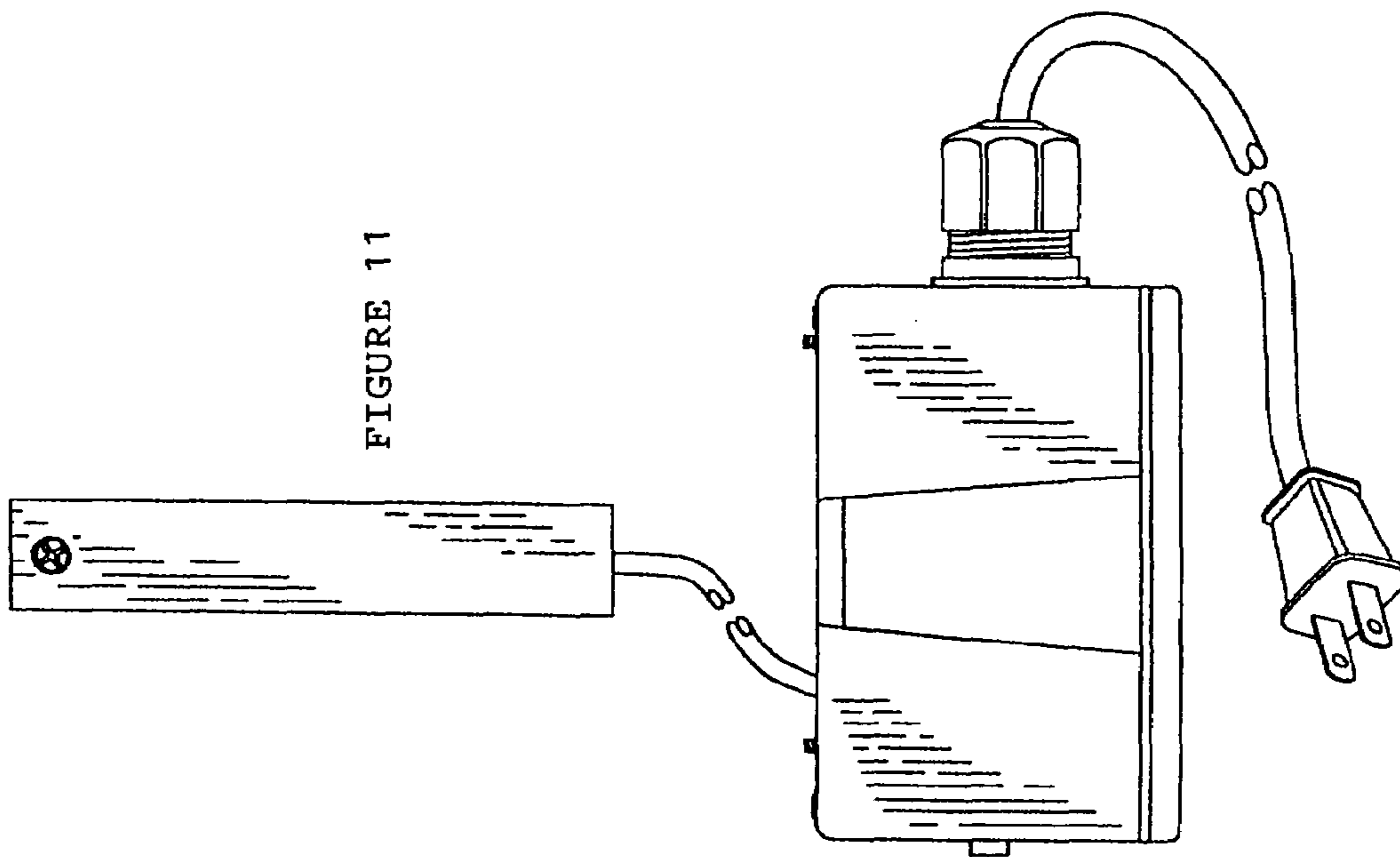


FIGURE 11

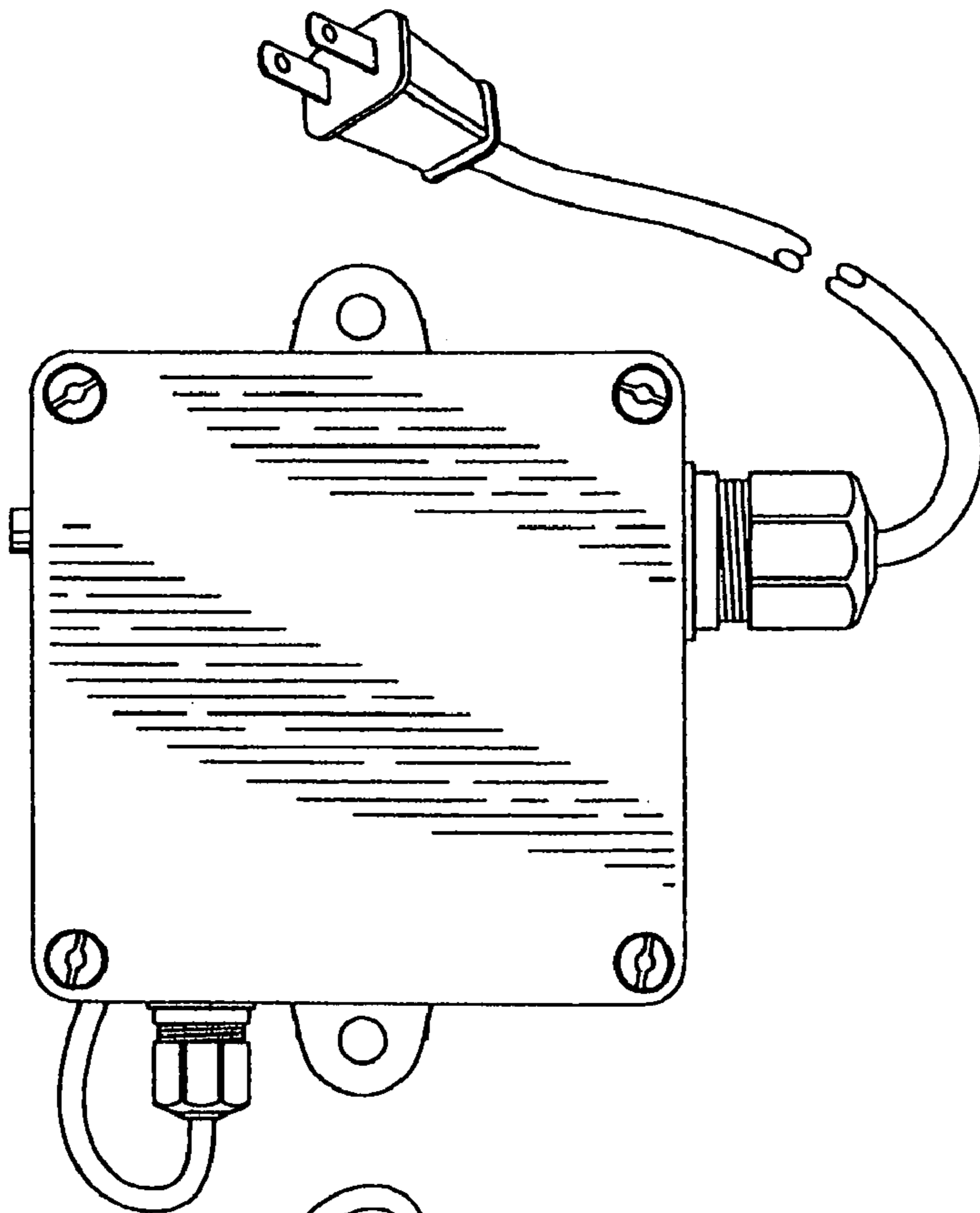


FIGURE 13

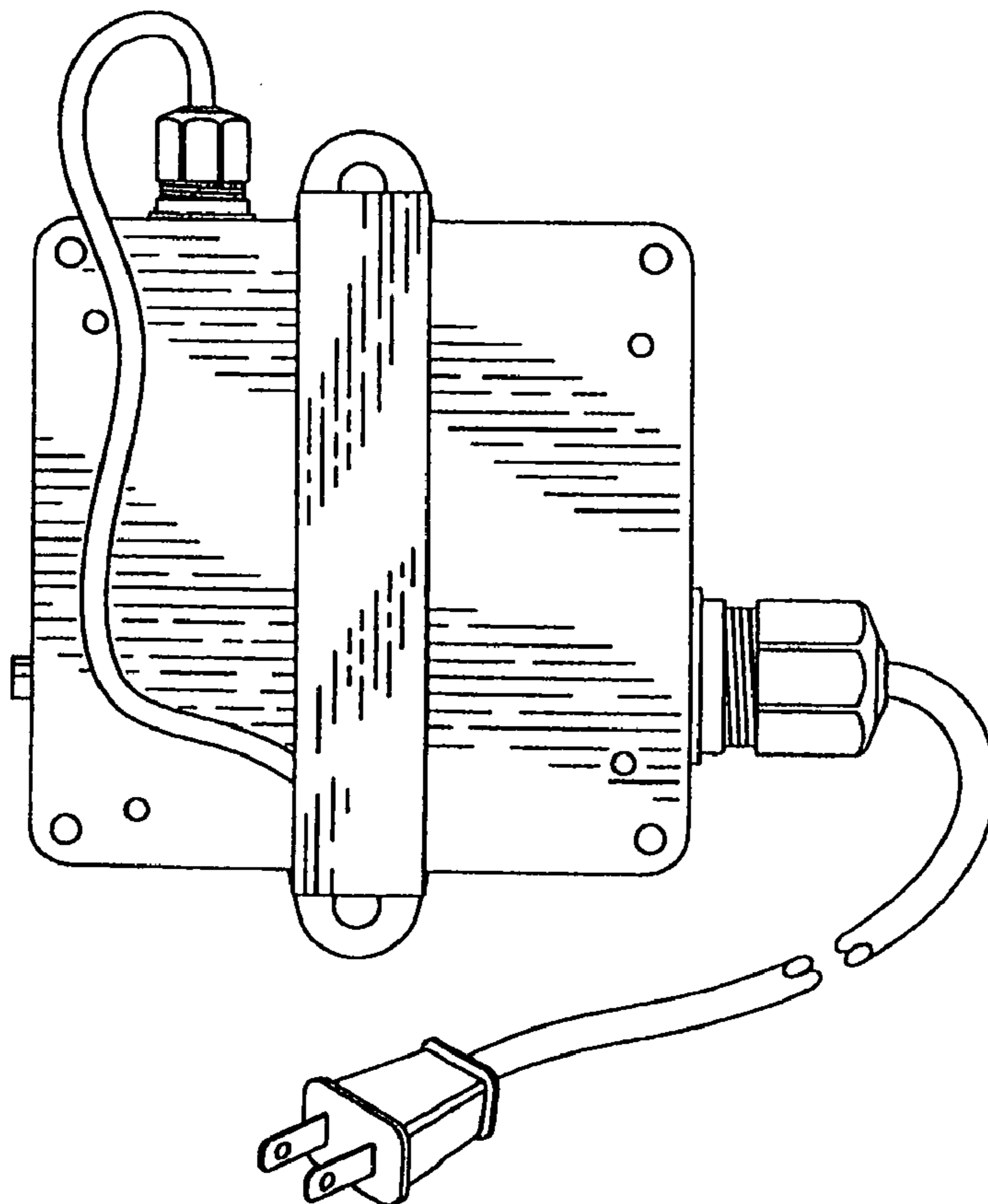


FIGURE 14